



US00D606126S

(12) **United States Design Patent**
Ujita

(10) **Patent No.:** **US D606,126 S**
(45) **Date of Patent:** **** Dec. 15, 2009**

(54) **PLAYING SURFACE FOR TOY TOP**

(75) Inventor: **Haruhisa Ujita**, Tokyo (JP)

(73) Assignee: **Tomy Company, Ltd.**, Tokyo (JP)

(**) Term: **14 Years**

(21) Appl. No.: **29/311,061**

(22) Filed: **Dec. 17, 2008**

(30) **Foreign Application Priority Data**

Jun. 17, 2008 (JP) 2008-015352

(51) **LOC (9) Cl.** **21-01**

(52) **U.S. Cl.** **D21/397; D21/460**

(58) **Field of Classification Search** D21/334-368,
D21/371-372, 397, 460-464; 273/236-285;
446/256

See application file for complete search history.

(56) **References Cited**

U.S. PATENT DOCUMENTS

- 4,630,822 A * 12/1986 Massaglia 273/456
- D331,607 S * 12/1992 Davis D21/372
- D368,495 S * 4/1996 Rypinski D21/362
- 5,516,112 A * 5/1996 Rypinski 273/287
- 5,518,437 A 5/1996 Nonaka et al.
- D430,226 S * 8/2000 Spence D21/372
- 6,626,729 B2 9/2003 Osawa
- 6,743,070 B1 6/2004 Lin
- 6,905,389 B2 * 6/2005 Matsukawa 446/256

7,427,225 B2 9/2008 Matsukawa et al.

FOREIGN PATENT DOCUMENTS

JP 2005-328976 12/2005

OTHER PUBLICATIONS

U.S. Appl. No. 29/309,769, filed Oct. 6, 2008, Haruhisa Ujita.
Specimen filed in U.S. Trademark Registration No. 2,709,995 on
Nov. 12, 2002.

Apr. 28, 2009 Office Action in co-pending U.S. Appl. No.
29/309,769.

* cited by examiner

Primary Examiner—Sandra Morris

(74) *Attorney, Agent, or Firm*—Staas & Halsey LLP

(57) **CLAIM**

The ornamental design for playing surface for toy top, as
shown.

DESCRIPTION

FIG. 1 is a front perspective view of the playing surface for
toy top showing my design;

FIG. 2 is a side view thereof;

FIG. 3 is a side view thereof;

FIG. 4 is a top view thereof;

FIG. 5 is a bottom view thereof;

FIG. 6 is a side view thereof; and,

FIG. 7 is a side view thereof.

The broken line showing is for illustrative purposes only, and
forms no part of the claimed design.

1 Claim, 4 Drawing Sheets

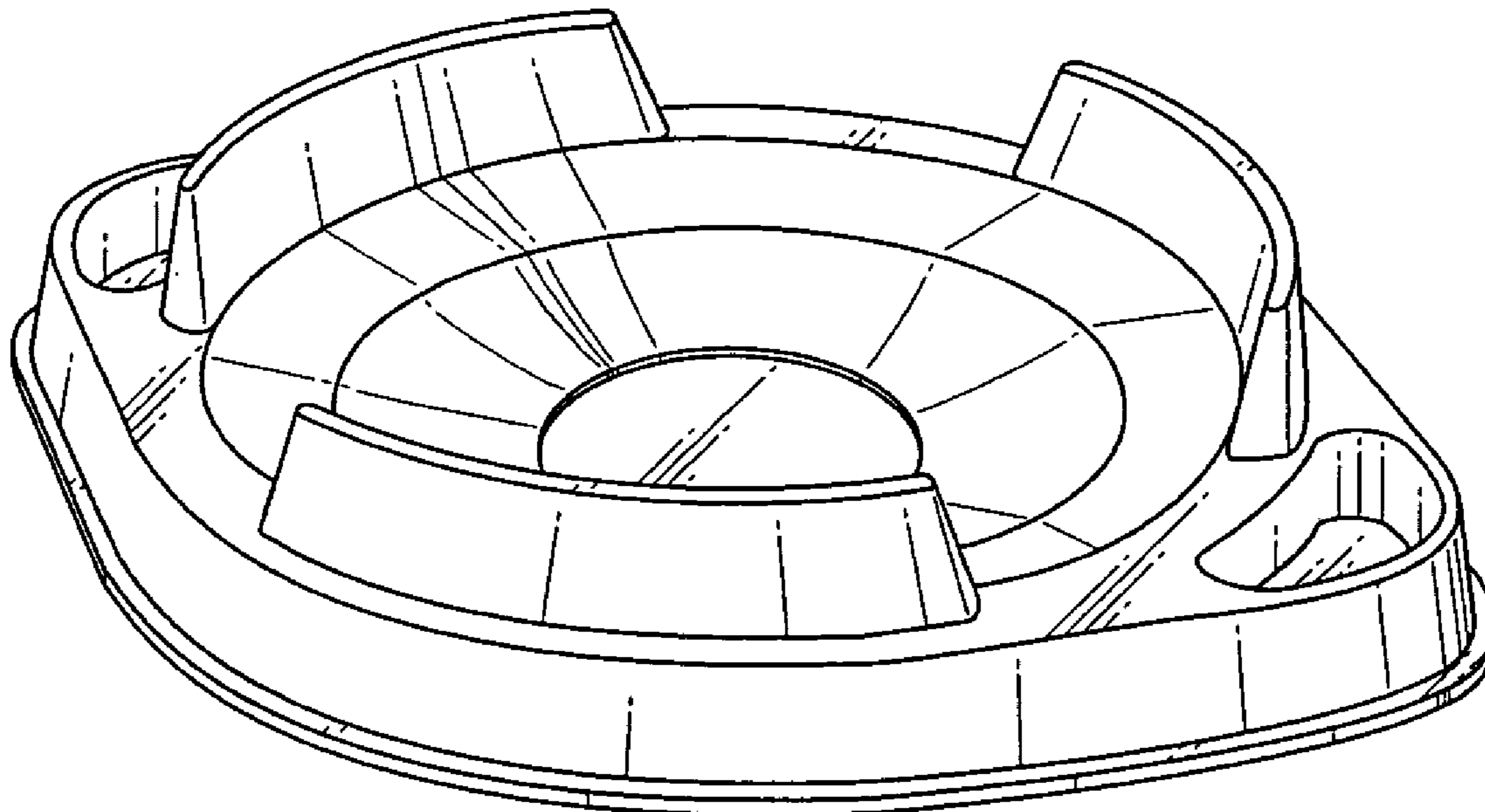


FIG. 1

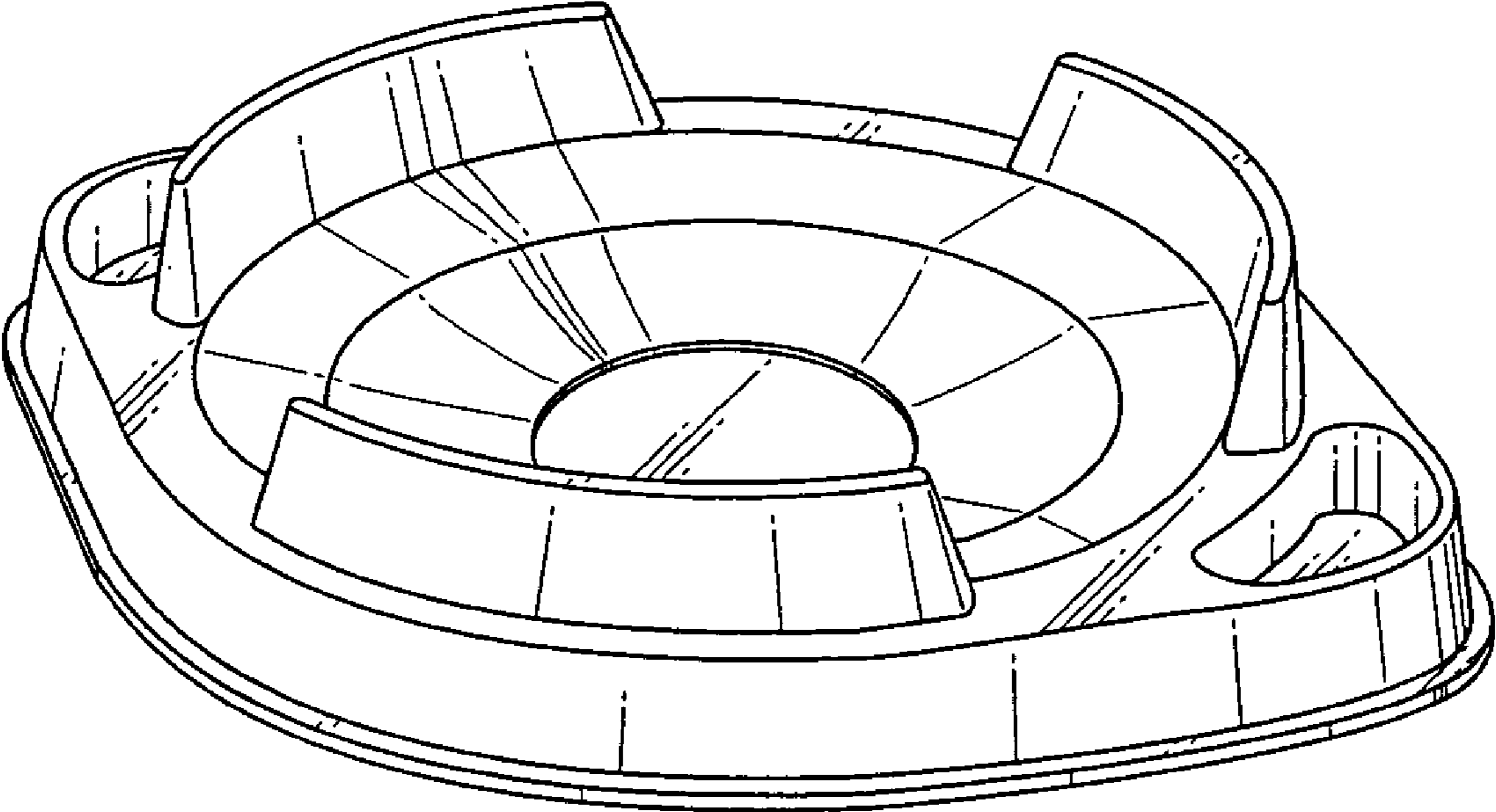


FIG.2



FIG.3

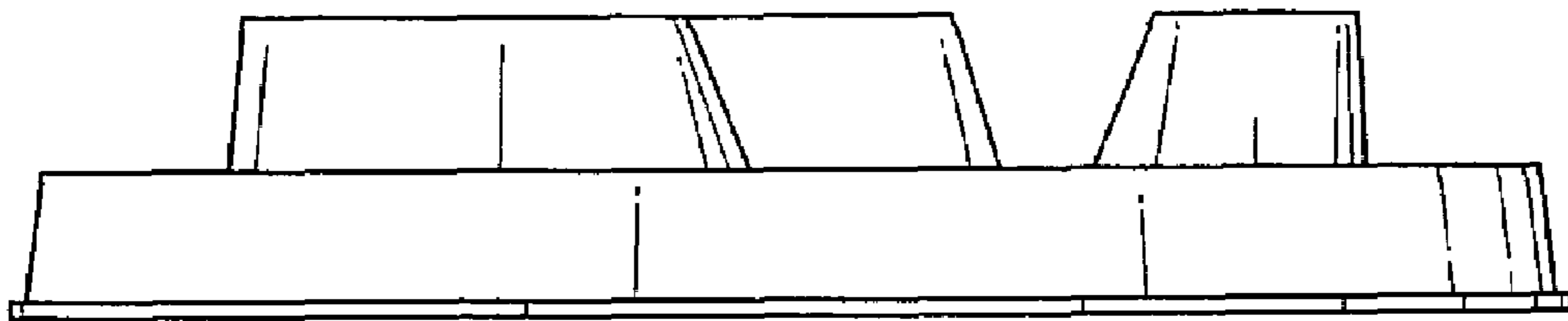


FIG.4

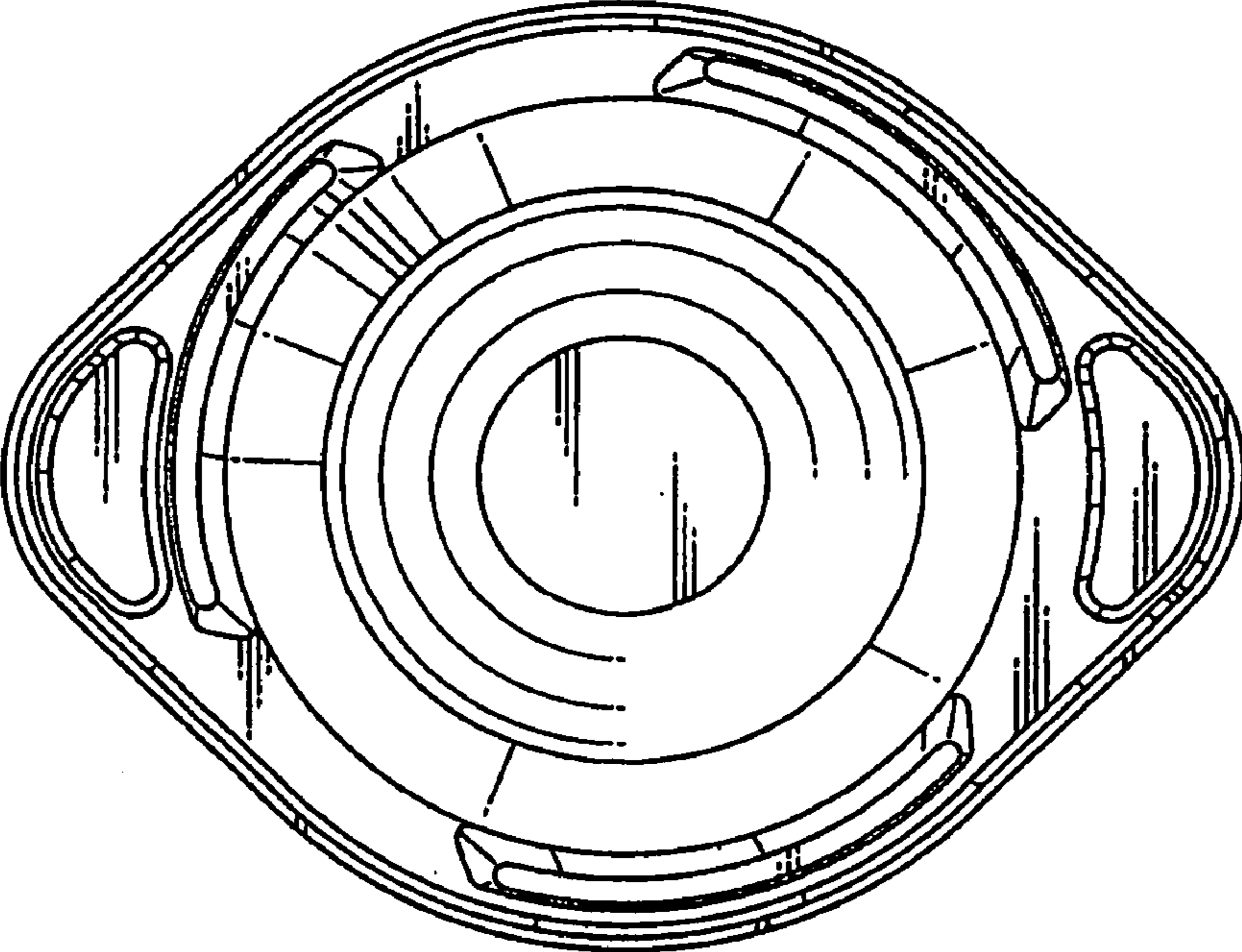


FIG.5

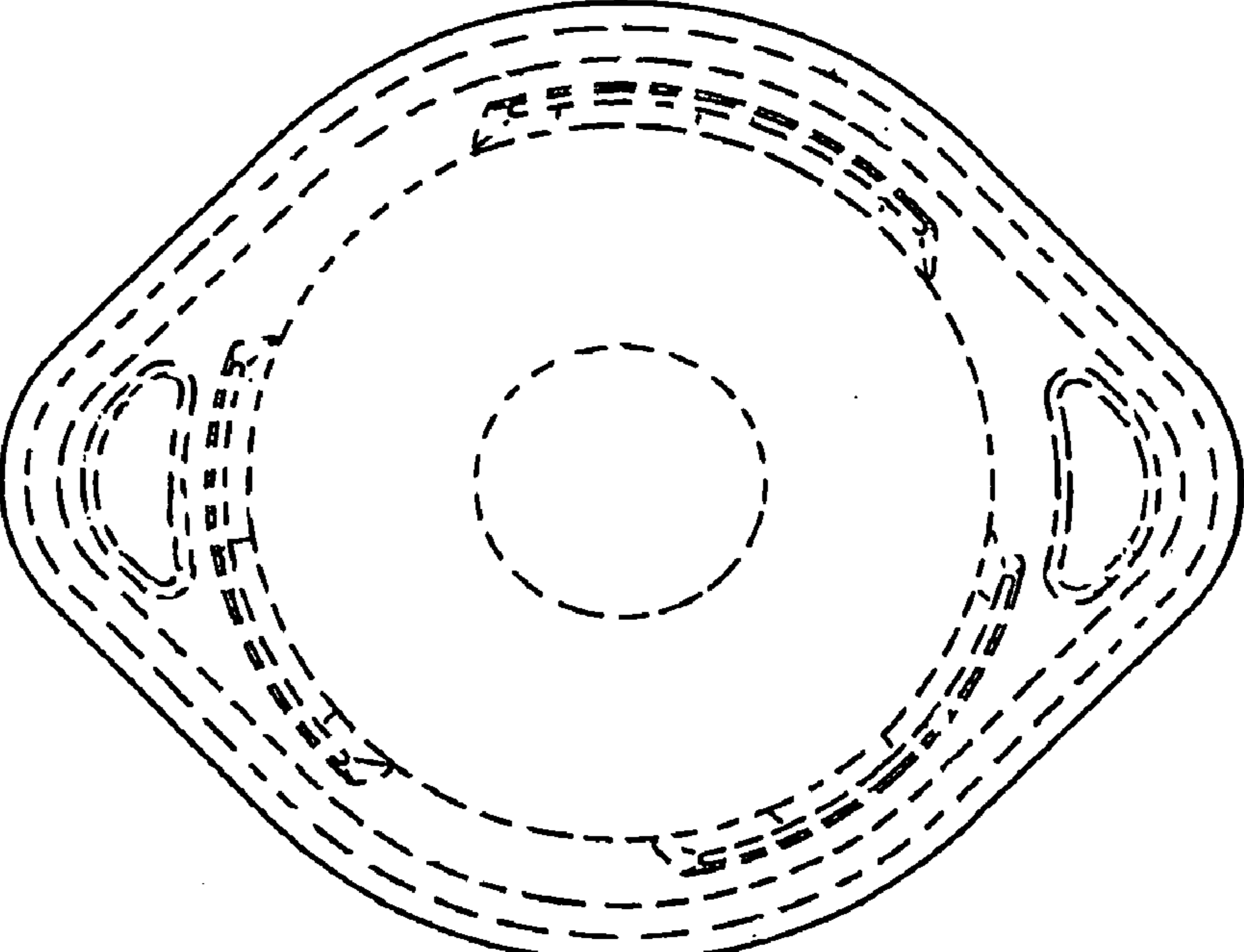


FIG.6

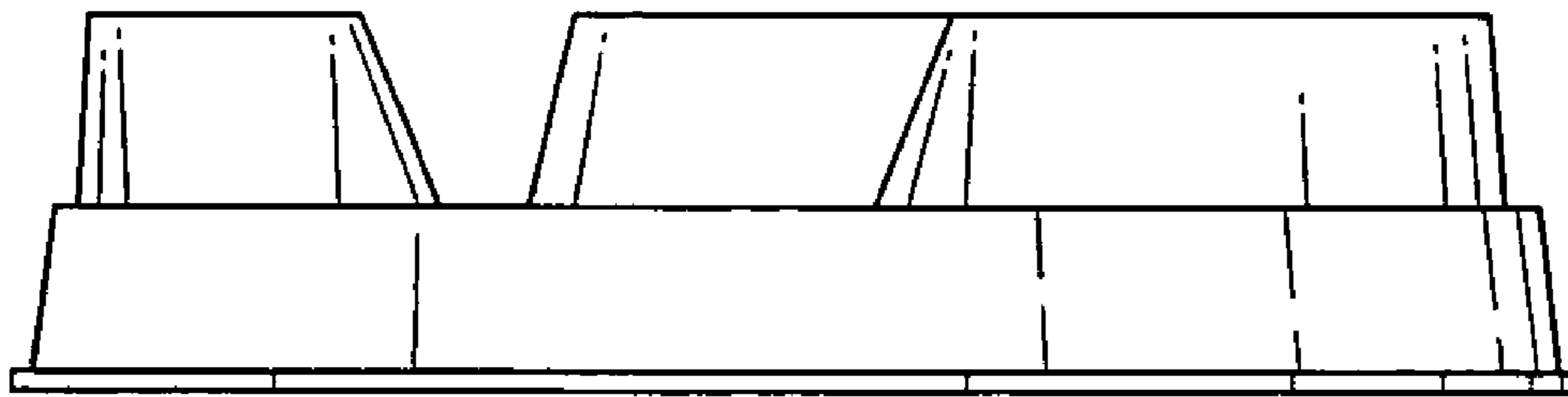


FIG.7

