



US00D606120S

(12) **United States Design Patent**
Miller et al.

(10) **Patent No.:** **US D606,120 S**
(45) **Date of Patent:** **** Dec. 15, 2009**

- (54) **PROMOTIONAL DEVICE**
- (75) Inventors: **Nicholas Miller**, London (GB); **Chris Lanman**, London (GB); **Kelly Maguire**, London (GB)
- (73) Assignee: **KYP (Holdings) PLC.**, London (GB)
- (**) Term: **14 Years**
- (21) Appl. No.: **29/337,645**
- (22) Filed: **May 27, 2009**

6,539,653	B1 *	4/2003	Finke	40/124.06
6,643,961	B1 *	11/2003	Hluchan	40/492
D488,932	S *	4/2004	Forster	D6/300
D537,117	S	2/2007	Sinclair et al.	
D540,878	S	4/2007	Burns	
D544,040	S	6/2007	Burns	
D550,286	S *	9/2007	Garfinkle	D20/18
D591,356	S *	4/2009	Lanman et al.	D20/19
2005/0120940	A1	6/2005	Sinclair et al.	
2008/0083145	A1 *	4/2008	Wynalda et al.	40/495

Related U.S. Application Data

- (62) Division of application No. 29/297,753, filed on Nov. 16, 2007.

Foreign Application Priority Data

May 18, 2007 (EM) 000728217

- (51) **LOC (9) Cl.** **20-03**
 - (52) **U.S. Cl.** **D20/18; D20/27**
 - (58) **Field of Classification Search** D20/10, D20/11, 18, 19, 22, 23, 40, 99; 40/124.01, 40/124.06, 124.09, 124.11, 124.19, 124.191, 40/299.01, 341, 446, 453, 488, 490-492, 40/495, 594, 591, 617, 628-631, 635, 649, 40/654.01, 661.01, 661.06, 661.08, 672; D3/247, 303; D6/300; D19/1-3; 116/234; 156/277; 206/39.5; 283/56, 71, 81, 94, 98, 283/106; 299/172; 434/170, 174
- See application file for complete search history.

References Cited

U.S. PATENT DOCUMENTS

1,951,022	A *	3/1934	Iverson	40/495
3,199,238	A *	8/1965	Brown	40/488
3,200,517	A *	8/1965	Agostino	434/174
4,643,680	A *	2/1987	Hill	434/170
5,078,265	A *	1/1992	Fugit et al.	206/39.6
5,377,612	A *	1/1995	Catalano et al.	116/234
D374,403	S *	10/1996	Hougesen	D10/65
5,887,370	A *	3/1999	Mizell	40/495
5,999,336	A *	12/1999	Yang, Jr.	359/742
6,153,039	A *	11/2000	Jacobsen	156/277

FOREIGN PATENT DOCUMENTS

EM	000088026-0001	1/2004
EM	000123674-0001	4/2004
EM	000214010-0001	11/2004
EM	000268800-0001	3/2005
EM	000544572-0001	7/2006
EM	000605563-0001	11/2006
EM	000634415-0001	1/2007

* cited by examiner

Primary Examiner—Janice E Seeger
Assistant Examiner—Mary Ann Calabrese
(74) *Attorney, Agent, or Firm*—Banner & Witcoff, Ltd.

(57) **CLAIM**

The ornamental design for a promotional device, as shown and described.

DESCRIPTION

FIG. 1 is a side view of a promotional device showing our new design in an unfolded configuration with content inserts in an extended state;

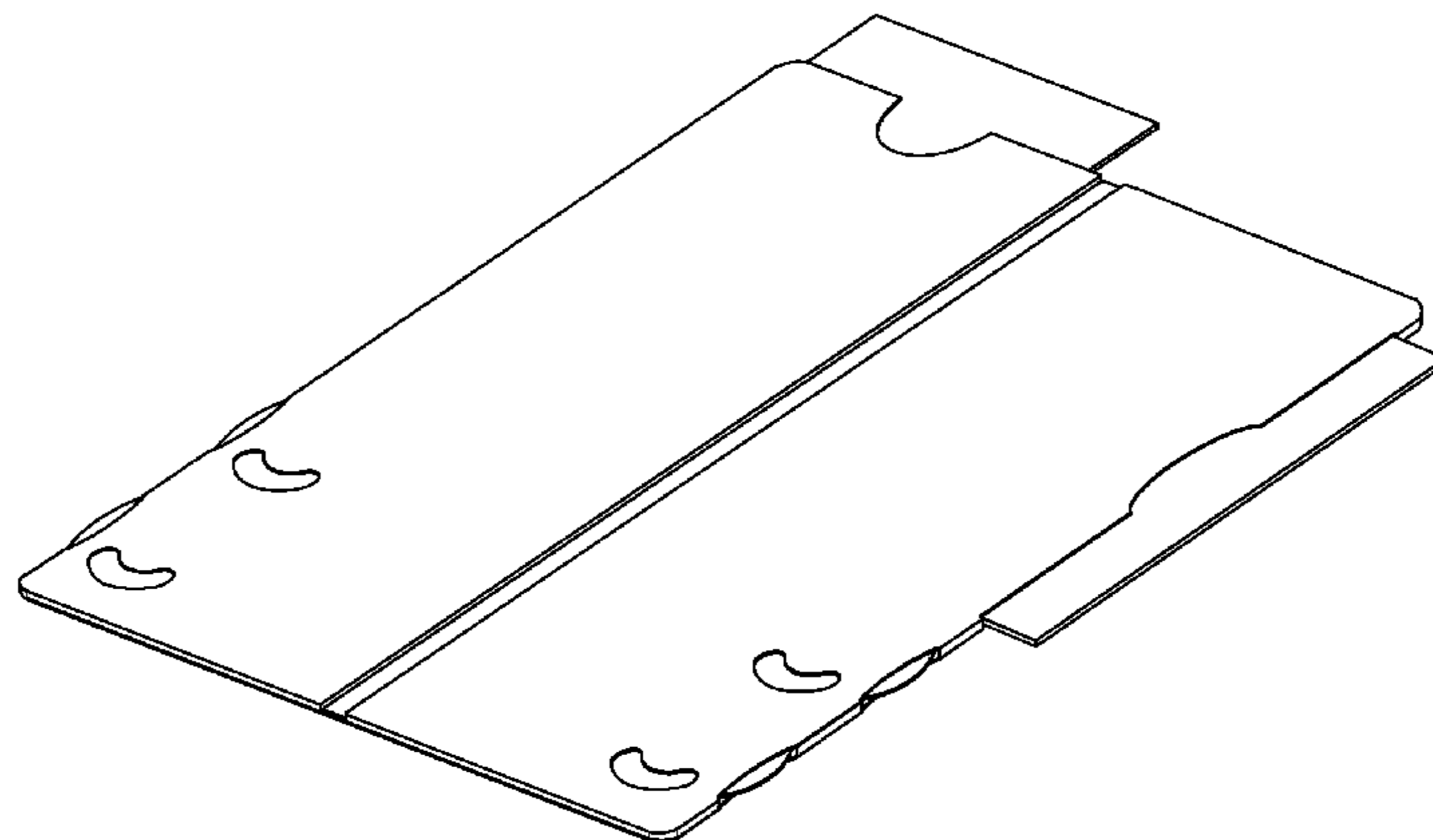
FIG. 2 is a second side view thereof;

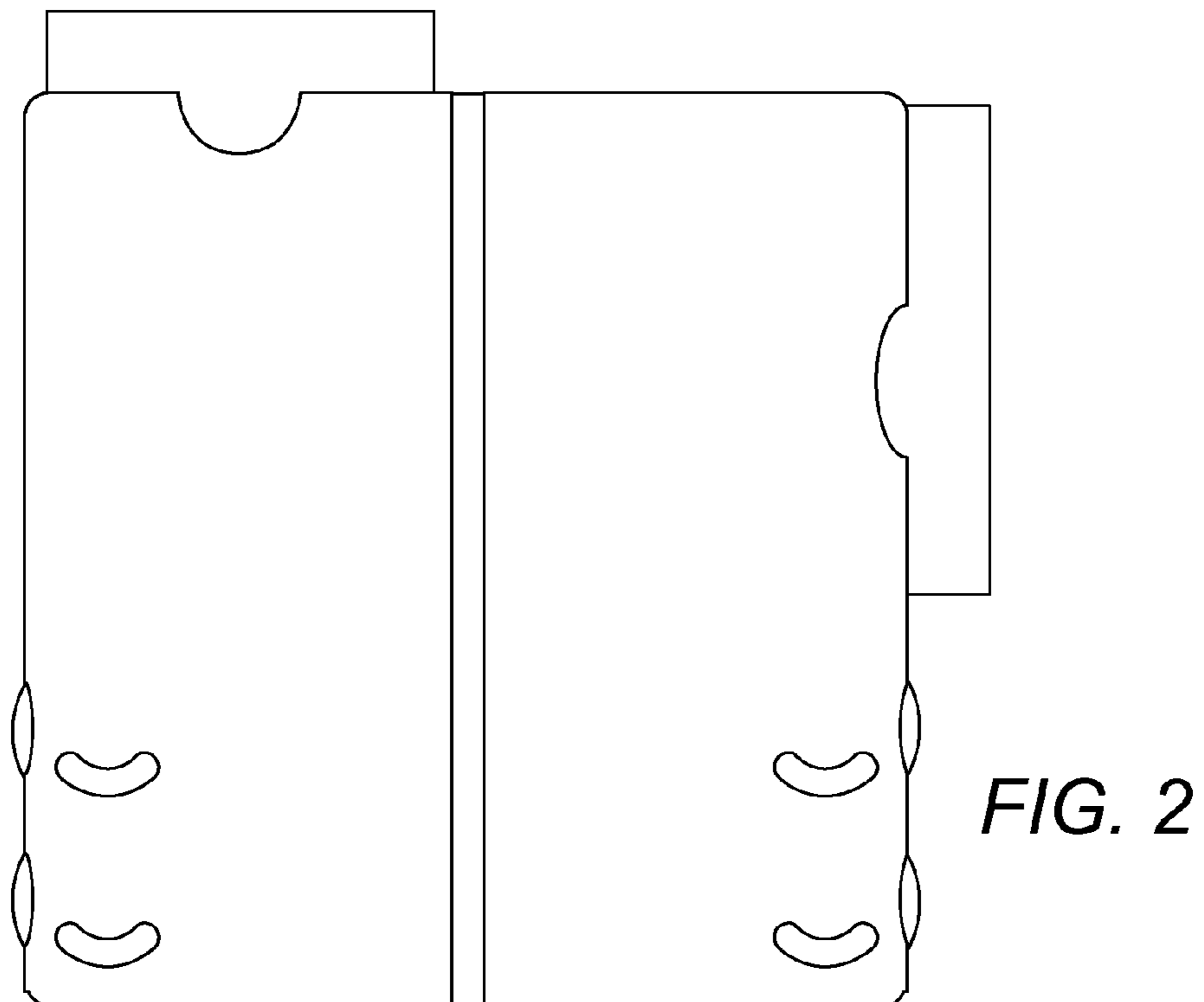
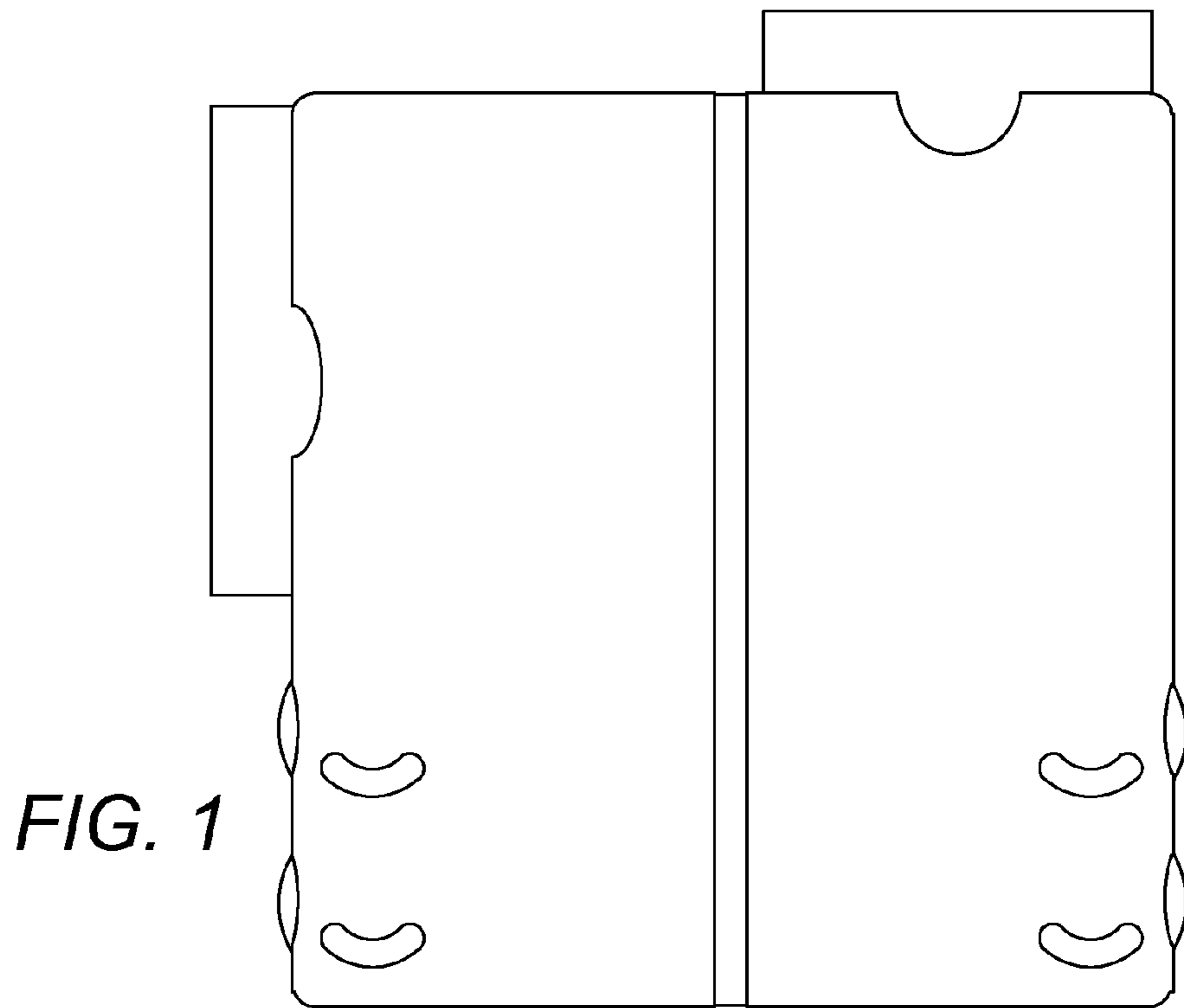
FIG. 3 is a side perspective view thereof; and,

FIG. 4 is a front perspective view of the promotional device in a folded configuration with content inserts in a retracted state.

The tabs extending from the body of the design in FIGS. 1-3 represent content inserts that retract into the body of the design as shown in FIG. 4.

1 Claim, 2 Drawing Sheets





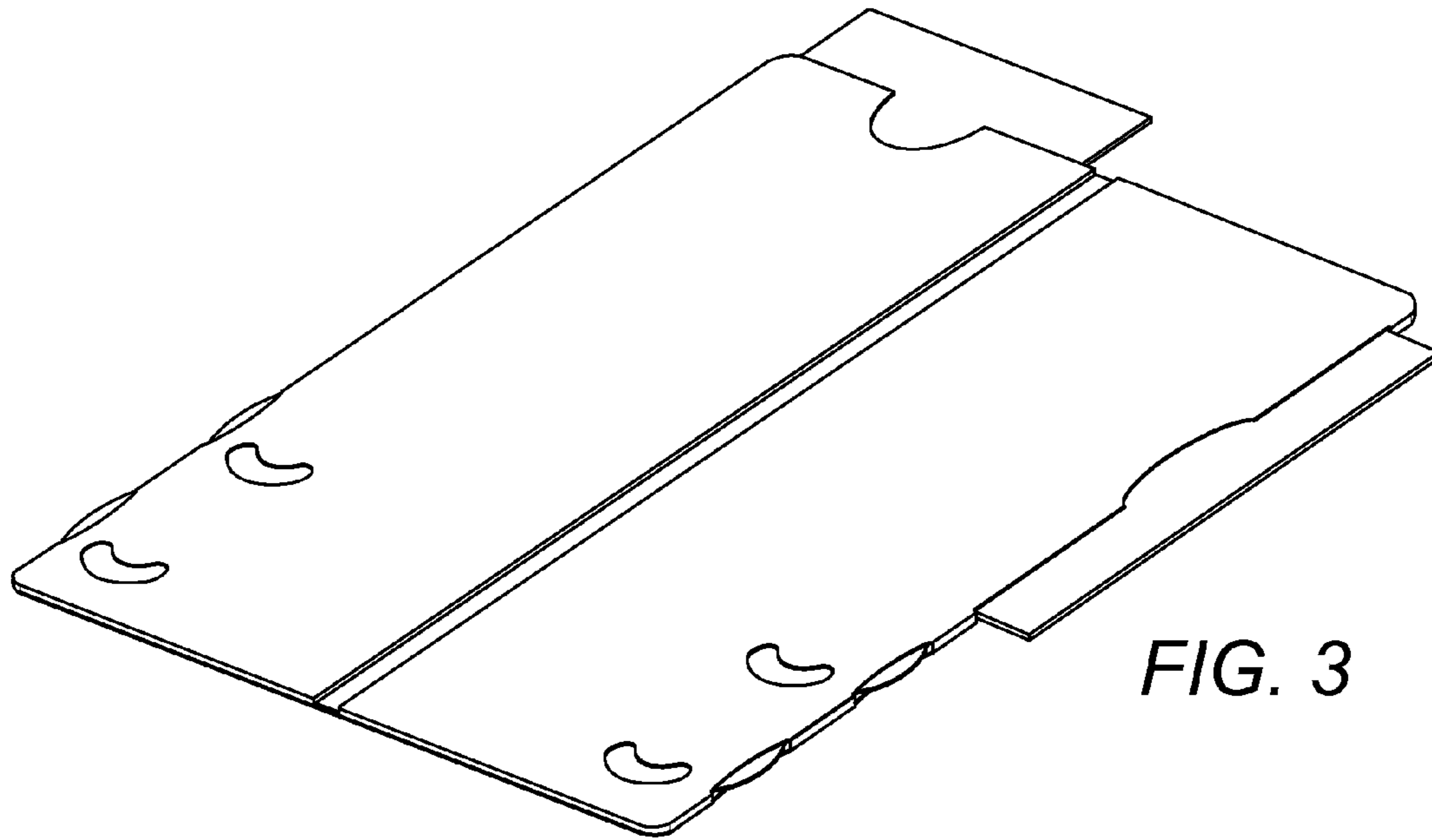


FIG. 3

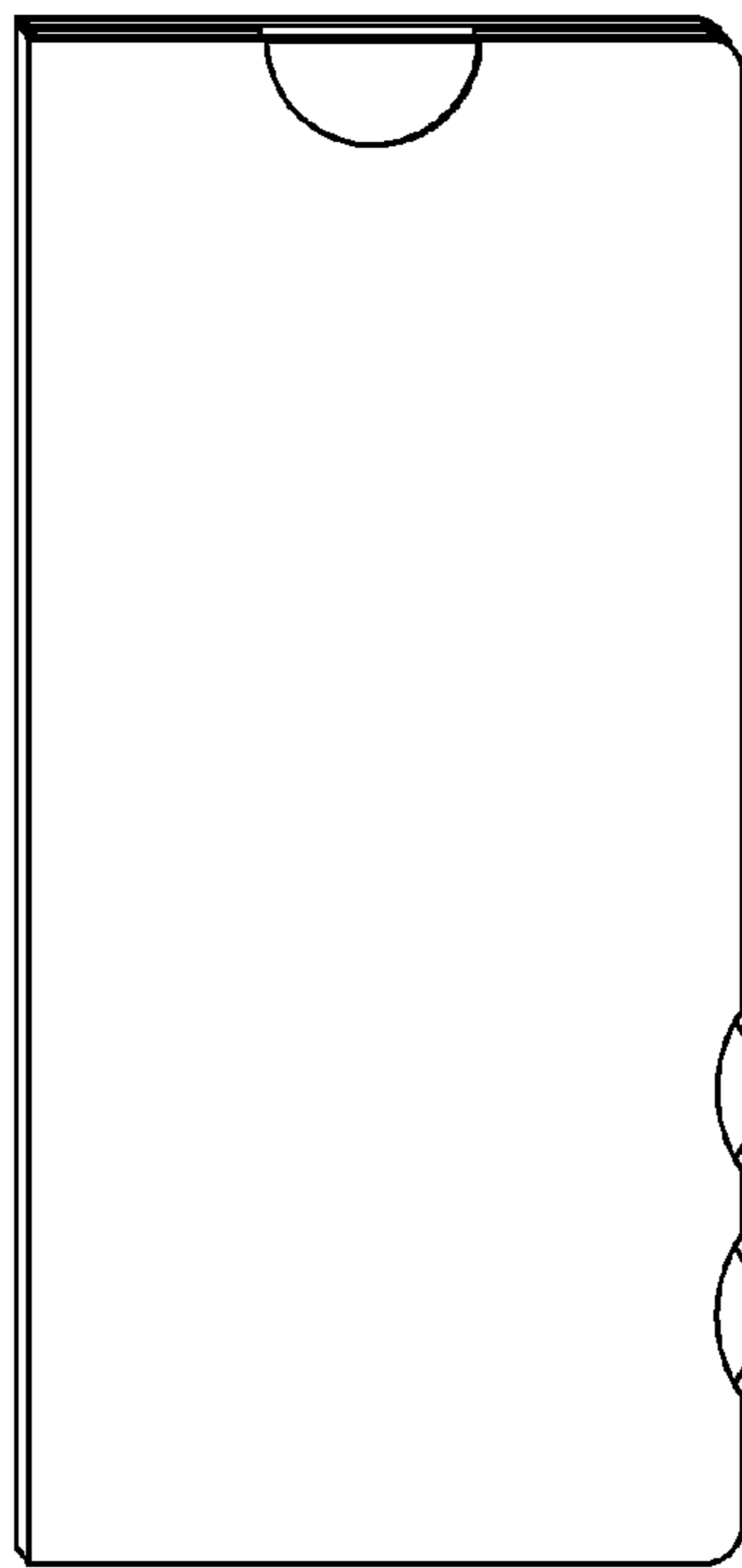


FIG. 4