



US00D606117S

(12) **United States Design Patent**
Liu

(10) **Patent No.:** **US D606,117 S**

(45) **Date of Patent:** **** Dec. 15, 2009**

(54) **PEN**

(75) Inventor: **Liang Liu**, Ningbo (CN)

(73) Assignee: **Beifa Group Co., Ltd.**, Ningbo (CN)

(**) Term: **14 Years**

(21) Appl. No.: **29/330,033**

(22) Filed: **Dec. 26, 2008**

(30) **Foreign Application Priority Data**

Jun. 30, 2008 (CN) 2008 3 0139530

(51) **LOC (9) Cl.** **19-06**

(52) **U.S. Cl.** **D19/49**

(58) **Field of Classification Search** D19/35,
D19/36, 41-51, 53-57; 24/11 F, 11 P, 11 R;
401/52, 99, 100, 104-109, 192, 195, 196
See application file for complete search history.

(56) **References Cited**

U.S. PATENT DOCUMENTS

- D233,631 S * 11/1974 Defores D19/51
- D267,655 S * 1/1983 Verona D19/51
- D323,529 S * 1/1992 Rousseau D19/51
- D420,046 S 2/2000 Meyer
- D423,049 S 4/2000 Kohlhase
- D437,888 S 2/2001 Briggl
- D449,649 S * 10/2001 Takanashi D19/43
- D464,676 S * 10/2002 Leo et al. D19/55
- D466,932 S * 12/2002 Leo et al. D19/43
- D467,279 S * 12/2002 Pellissa Beneyto D19/43
- D467,970 S * 12/2002 Pellissa Beneyto D19/43

- D474,241 S 5/2003 Hasegawa
- D503,742 S 4/2005 Mori
- D536,734 S * 2/2007 Bodino D19/57
- D540,386 S 4/2007 Qiu
- D547,374 S * 7/2007 Deng D19/36
- D555,729 S * 11/2007 Lin D19/50
- D567,855 S * 4/2008 Rolion et al. D19/50
- D568,932 S * 5/2008 Qiu et al. D19/43
- D593,607 S * 6/2009 Nishikawa D19/54

FOREIGN PATENT DOCUMENTS

- WO DM/046701 * 1/1999
- WO DM/061151 * 6/2002

* cited by examiner

Primary Examiner—Elizabeth A Albert

(74) *Attorney, Agent, or Firm*—Christensen O'Connor Johnson Kindness PLLC

(57) **CLAIM**

The ornamental design for a pen, as shown and described.

DESCRIPTION

FIG. 1 is an upper front left perspective view of a pen showing my new design;

FIG. 2 is a left side elevation view thereof;

FIG. 3 is an enlarged top plan view thereof;

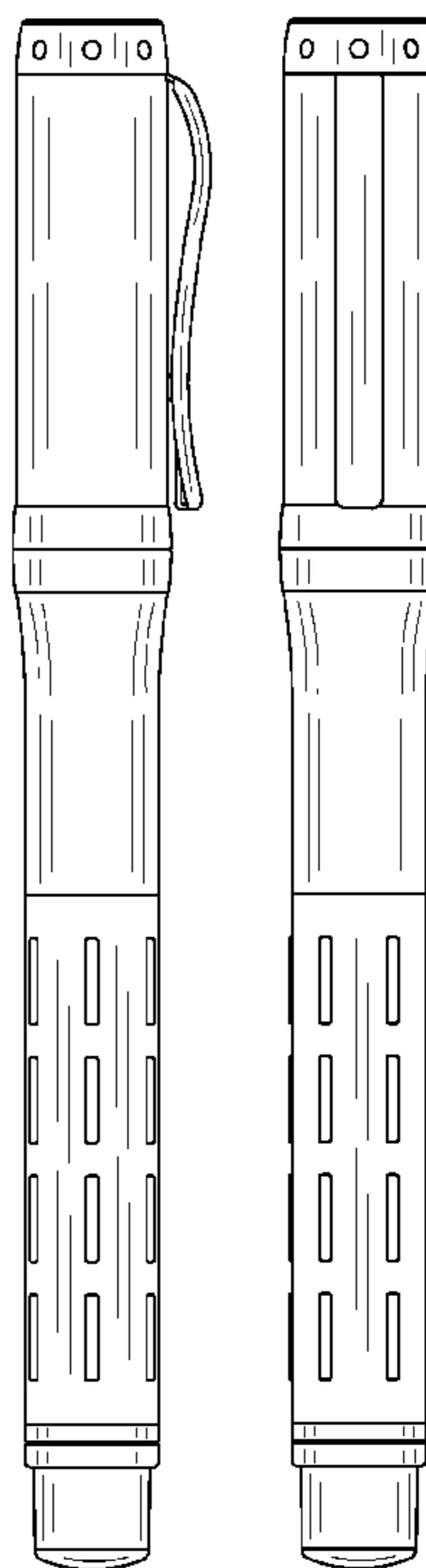
FIG. 4 is a front elevation view thereof;

FIG. 5 is a right side elevation view thereof;

FIG. 6 is an enlarged bottom plan view thereof; and,

FIG. 7 is a rear elevation view thereof.

1 Claim, 3 Drawing Sheets



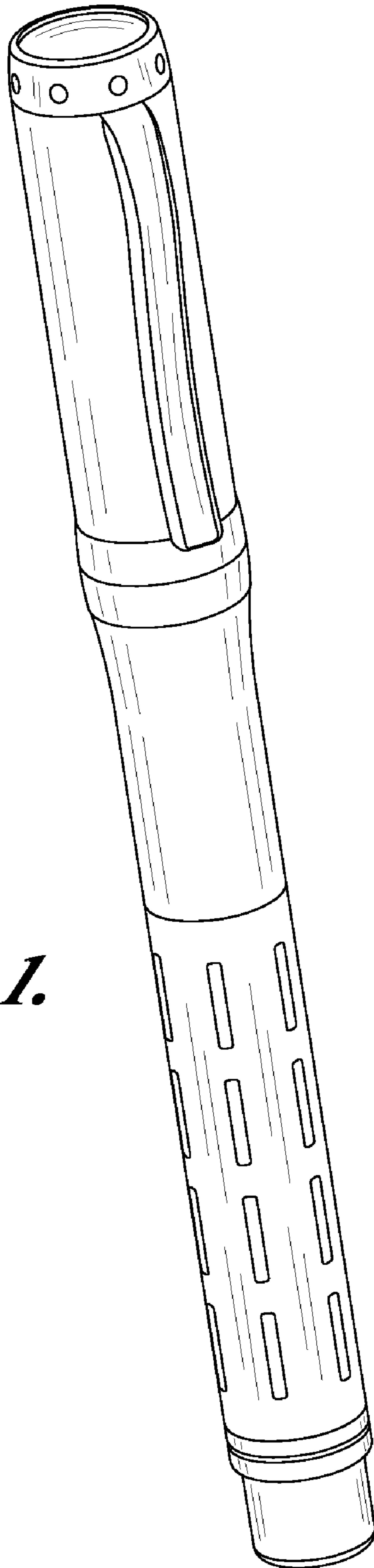


Fig. 1.

Fig. 2.

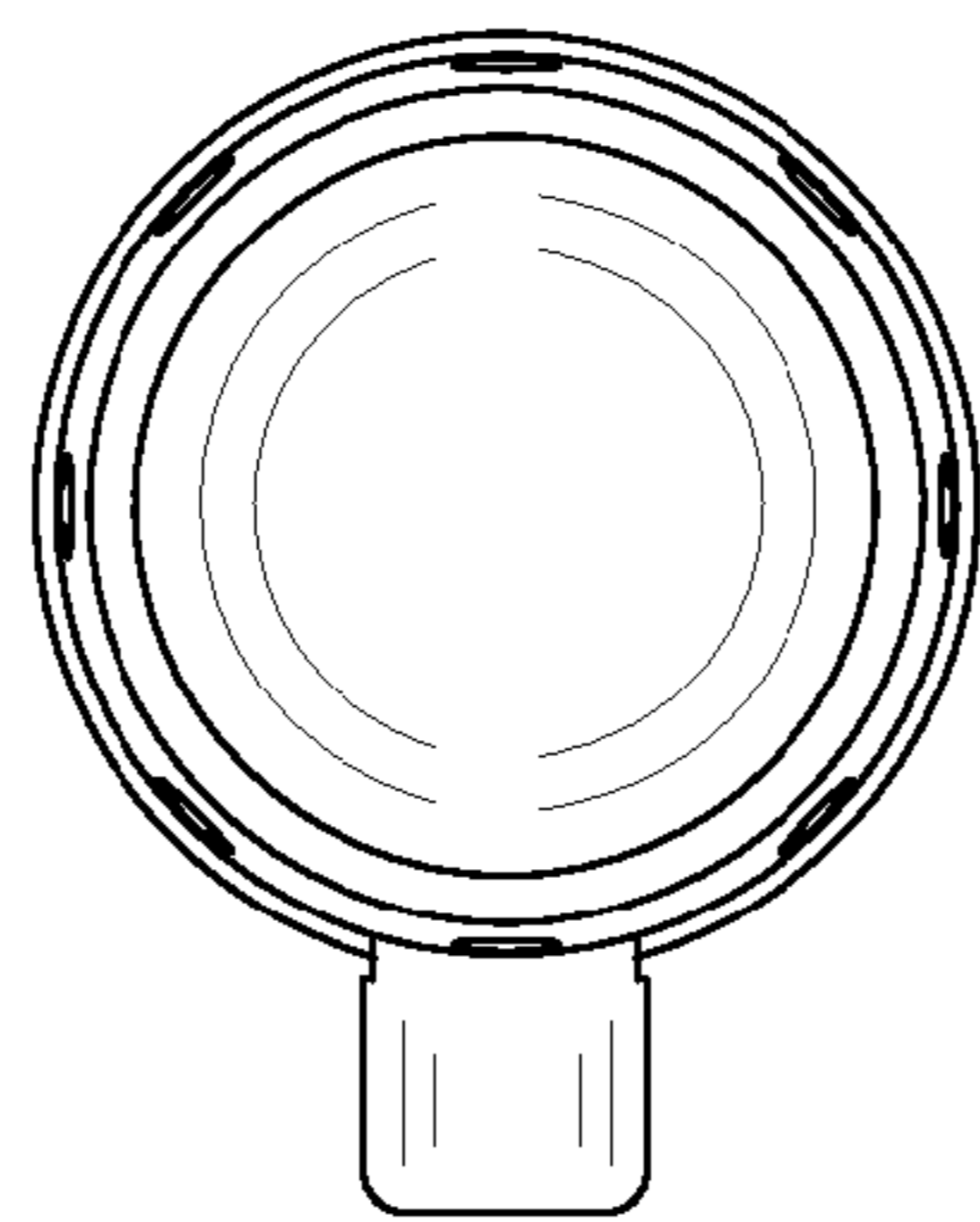
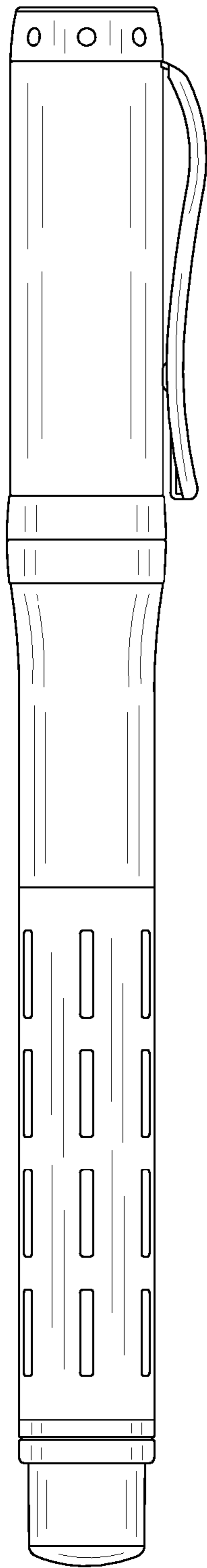
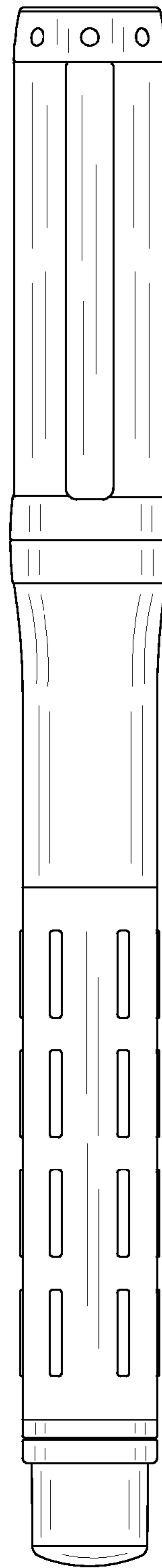


Fig. 3.

Fig. 4.



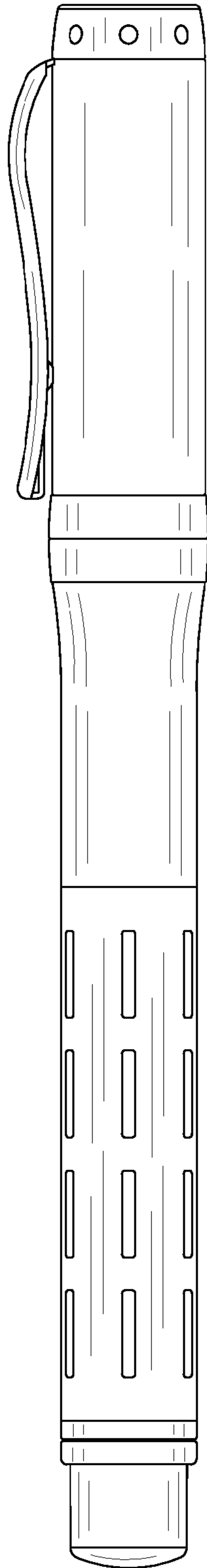


Fig. 5.

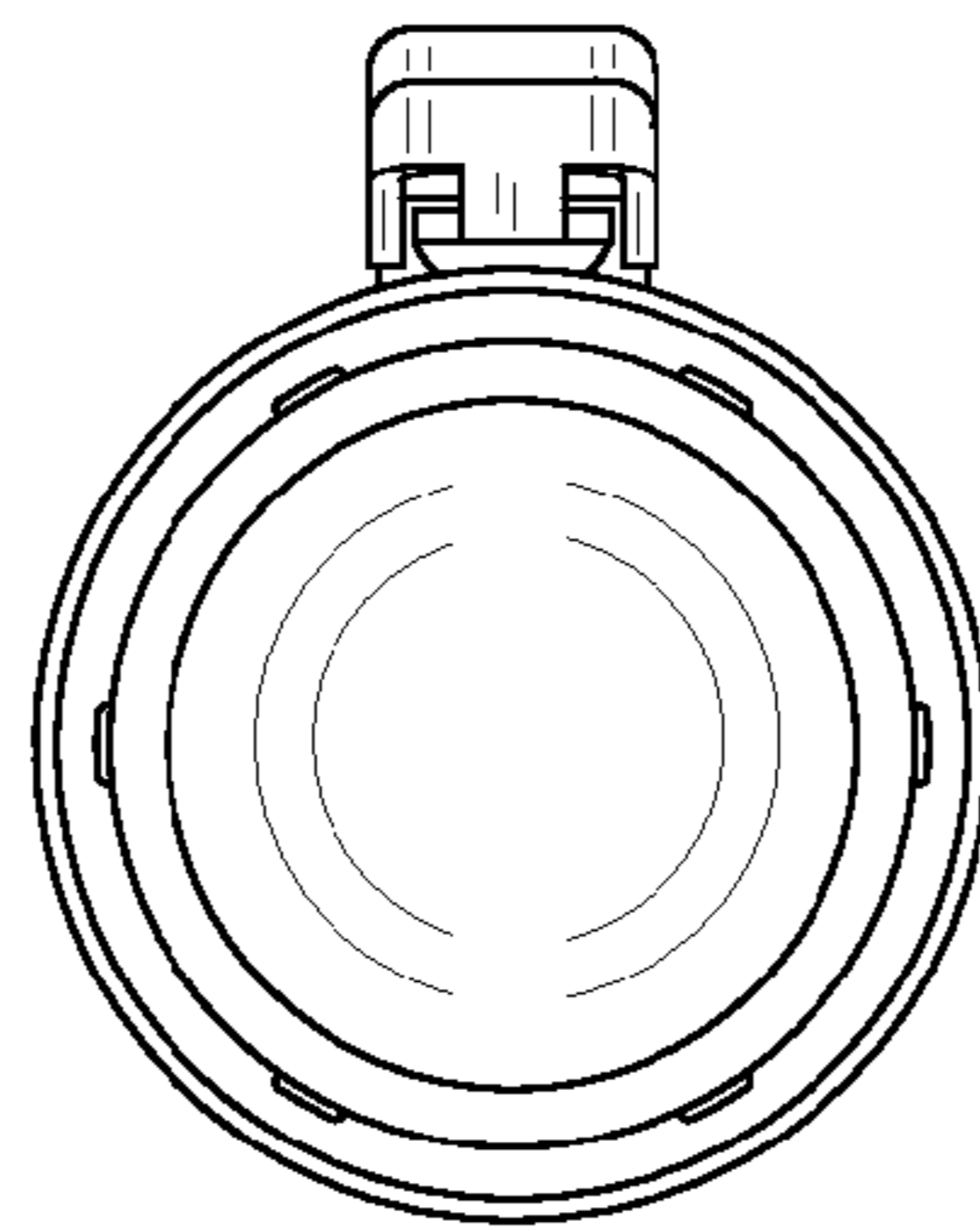


Fig. 6.

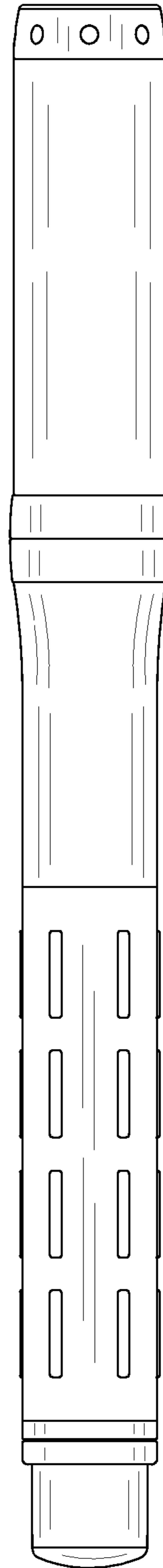


Fig. 7.