



US00D606116S

(12) **United States Design Patent**  
**Nagao et al.**

(10) **Patent No.:** **US D606,116 S**  
(45) **Date of Patent:** **\*\* Dec. 15, 2009**

(54) **KEY FOR PRINTER**

(75) Inventors: **Tomotaka Nagao**, Saitama (JP);  
**TaeSung Kim**, Saitama (JP); **Shinichi**  
**Kamimura**, Saitama (JP)

(73) Assignee: **Fuji Xerox Co., Ltd.**, Tokyo (JP)

(\*\*) Term: **14 Years**

(21) Appl. No.: **29/296,673**

(22) Filed: **Oct. 25, 2007**

(30) **Foreign Application Priority Data**

Apr. 26, 2007 (JP) ..... 2007-011250

(51) **LOC (9) Cl.** ..... **18-02**

(52) **U.S. Cl.** ..... **D18/56; D14/433**

(58) **Field of Classification Search** ..... D18/12,  
D18/43, 56; 347/86-87; D14/433; D13/123,  
D13/147, 162

See application file for complete search history.

(56) **References Cited**

**U.S. PATENT DOCUMENTS**

D362,430 S \* 9/1995 Gassett et al. .... D14/433  
D367,039 S \* 2/1996 Loh ..... D13/147  
D374,430 S \* 10/1996 Loh ..... D13/162  
D377,006 S \* 12/1996 England et al. .... D13/147  
D386,473 S \* 11/1997 England et al. .... D13/147  
D387,732 S \* 12/1997 England et al. .... D13/147  
D425,021 S \* 5/2000 Ko ..... D13/123

D434,374 S \* 11/2000 Ko ..... D13/123  
D436,919 S \* 1/2001 Wakefield et al. .... D14/433  
D551,668 S \* 9/2007 Newby et al. .... D14/433  
7,305,556 B2 \* 12/2007 Slick et al. .... 713/169  
D570,844 S \* 6/2008 Liu et al. .... D14/433  
2003/0105963 A1 \* 6/2003 Slick et al. .... 713/171

\* cited by examiner

*Primary Examiner*—Cathy Anne MacCormac

(74) *Attorney, Agent, or Firm*—Sughrue Mion, PLLC

(57) **CLAIM**

The ornamental design for a key for printer, as shown and described.

**DESCRIPTION**

FIG. 1 is a perspective view of top, rear and right side of key for printer, showing our new design;

FIG. 2 is a perspective view of the bottom, rear and left side thereof;

FIG. 3 is a front view thereof;

FIG. 4 is a rear view thereof;

FIG. 5 is a top plan view thereof;

FIG. 6 is a bottom view thereof;

FIG. 7 is a right side view thereof; and,

FIG. 8 is a left side view thereof.

The portions shown in broken lines are for illustrative purposes only, and form no part of the claimed design.

**1 Claim, 5 Drawing Sheets**

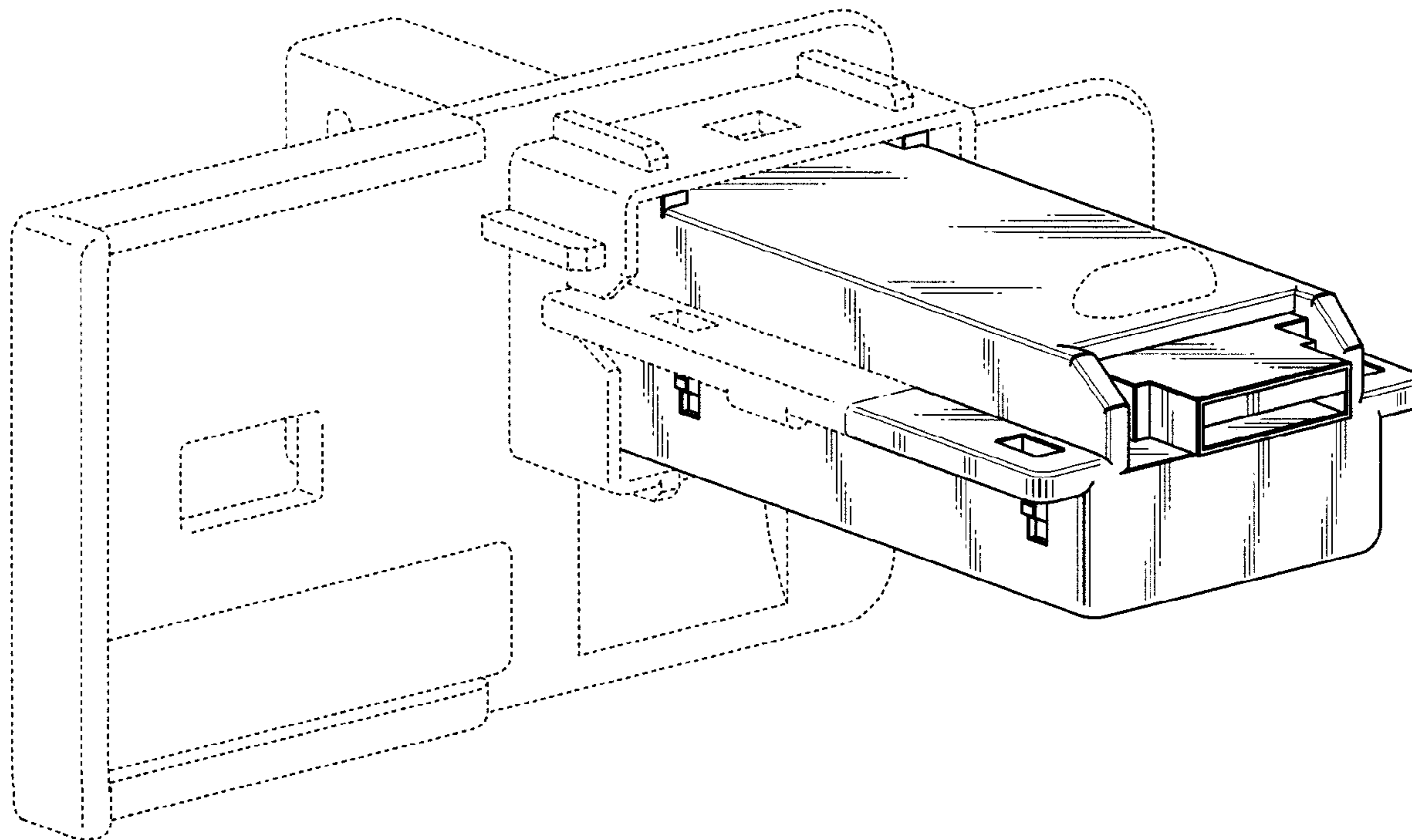


FIG. 1

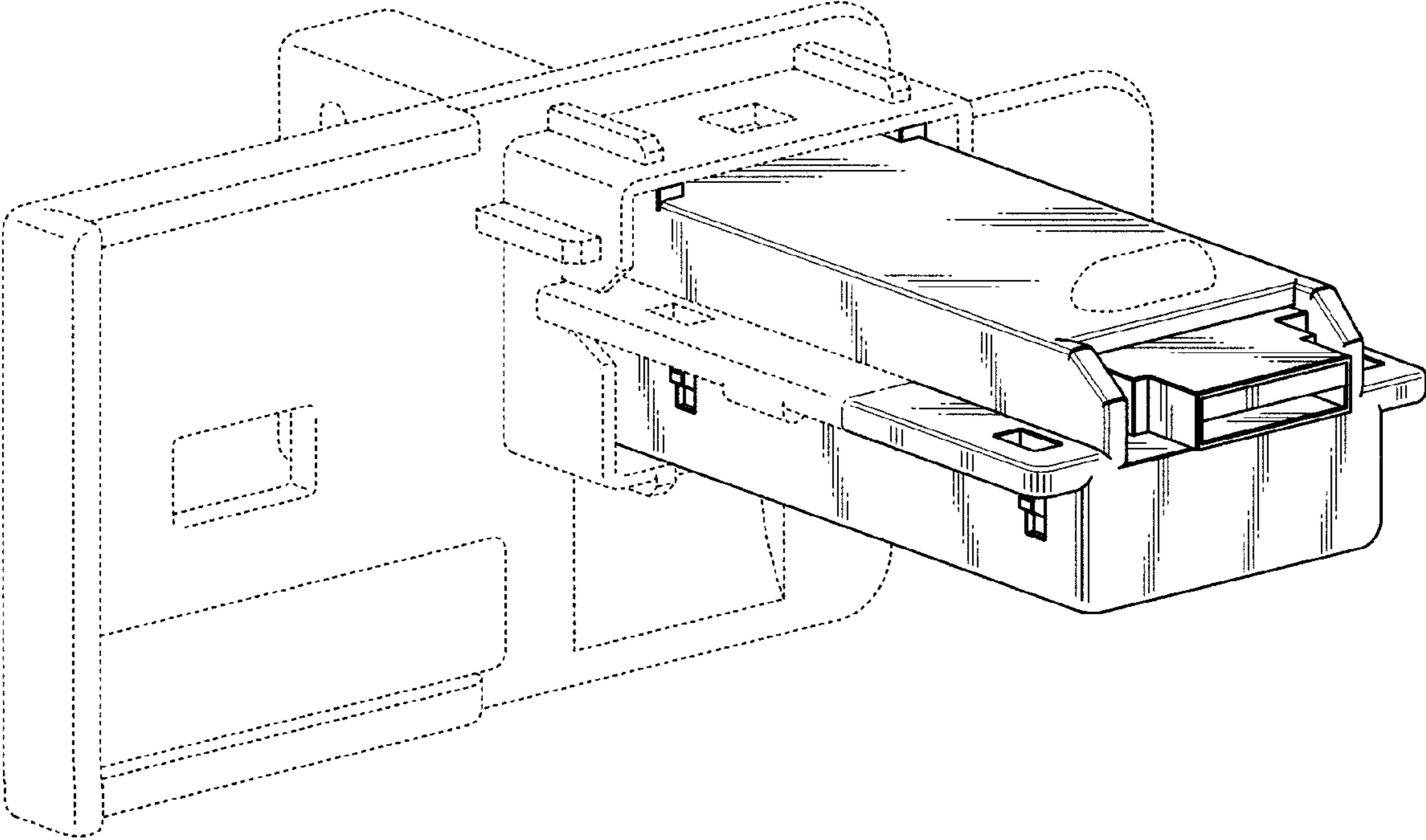


FIG. 2

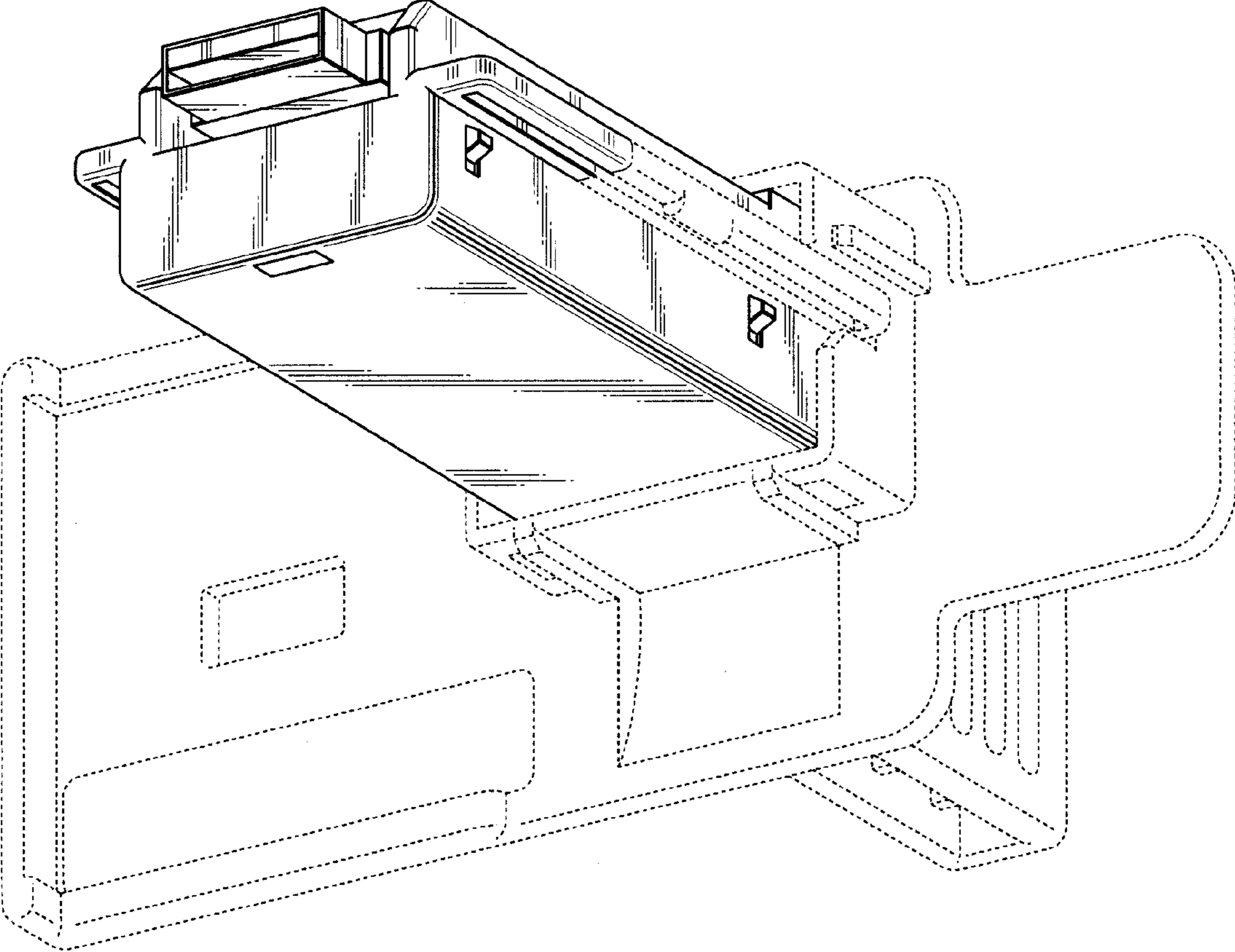


FIG.3

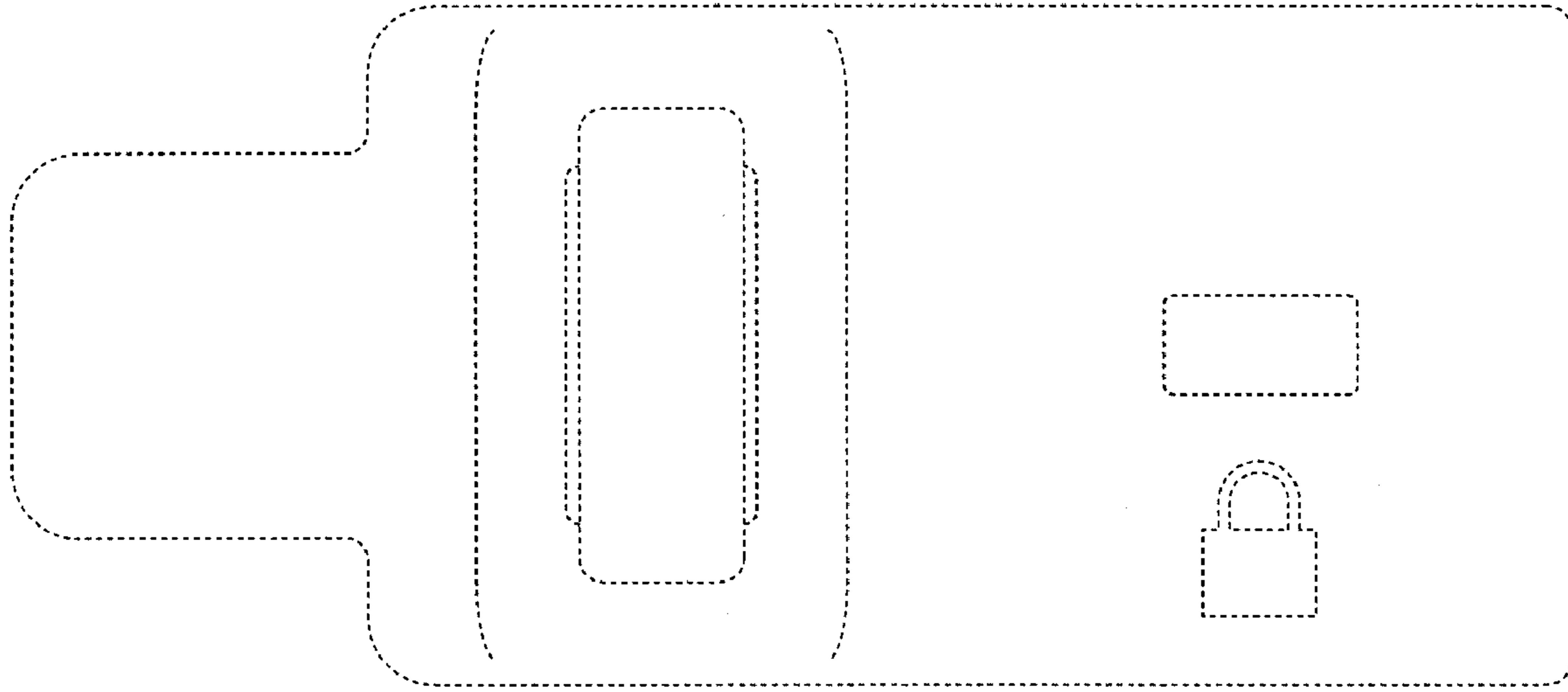


FIG.4

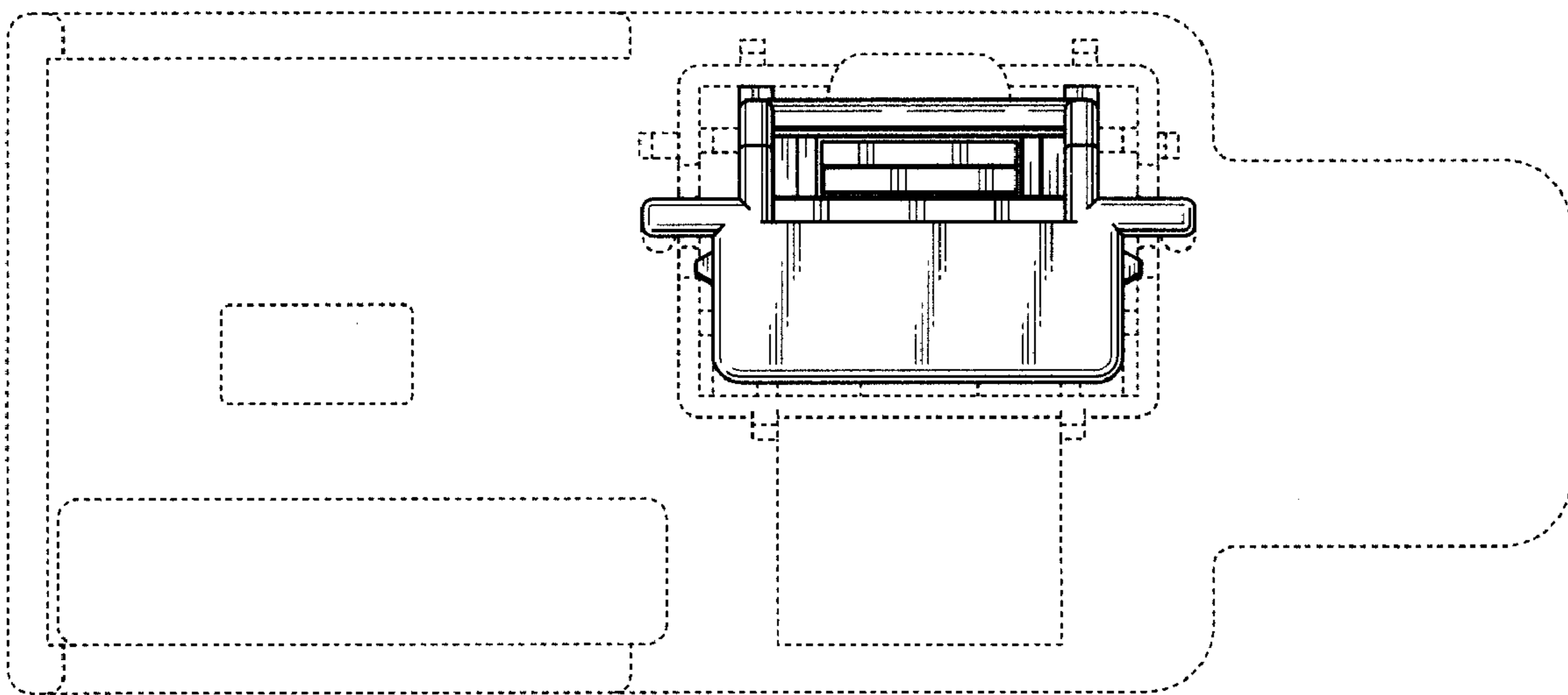


FIG.5

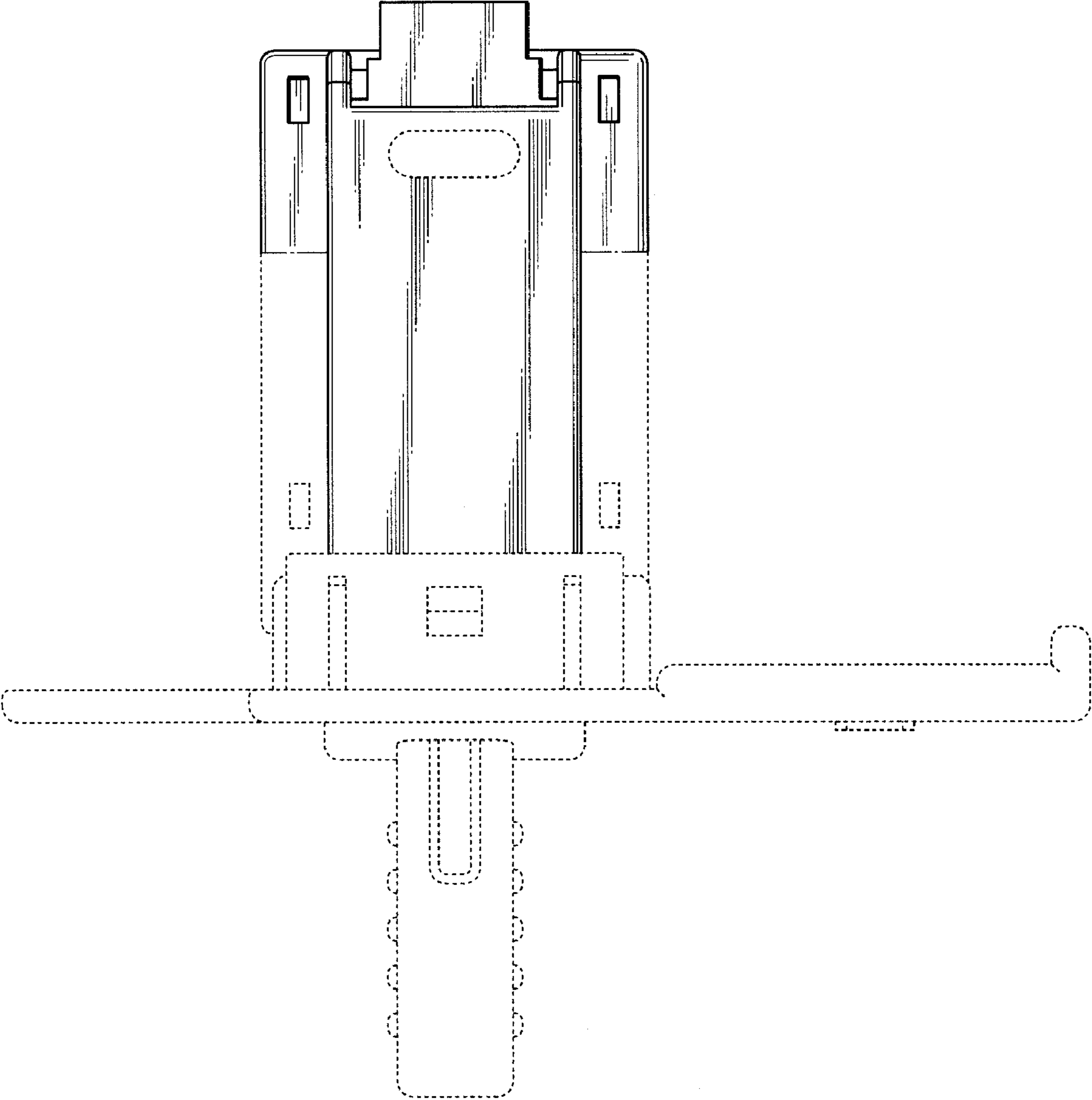


FIG.6

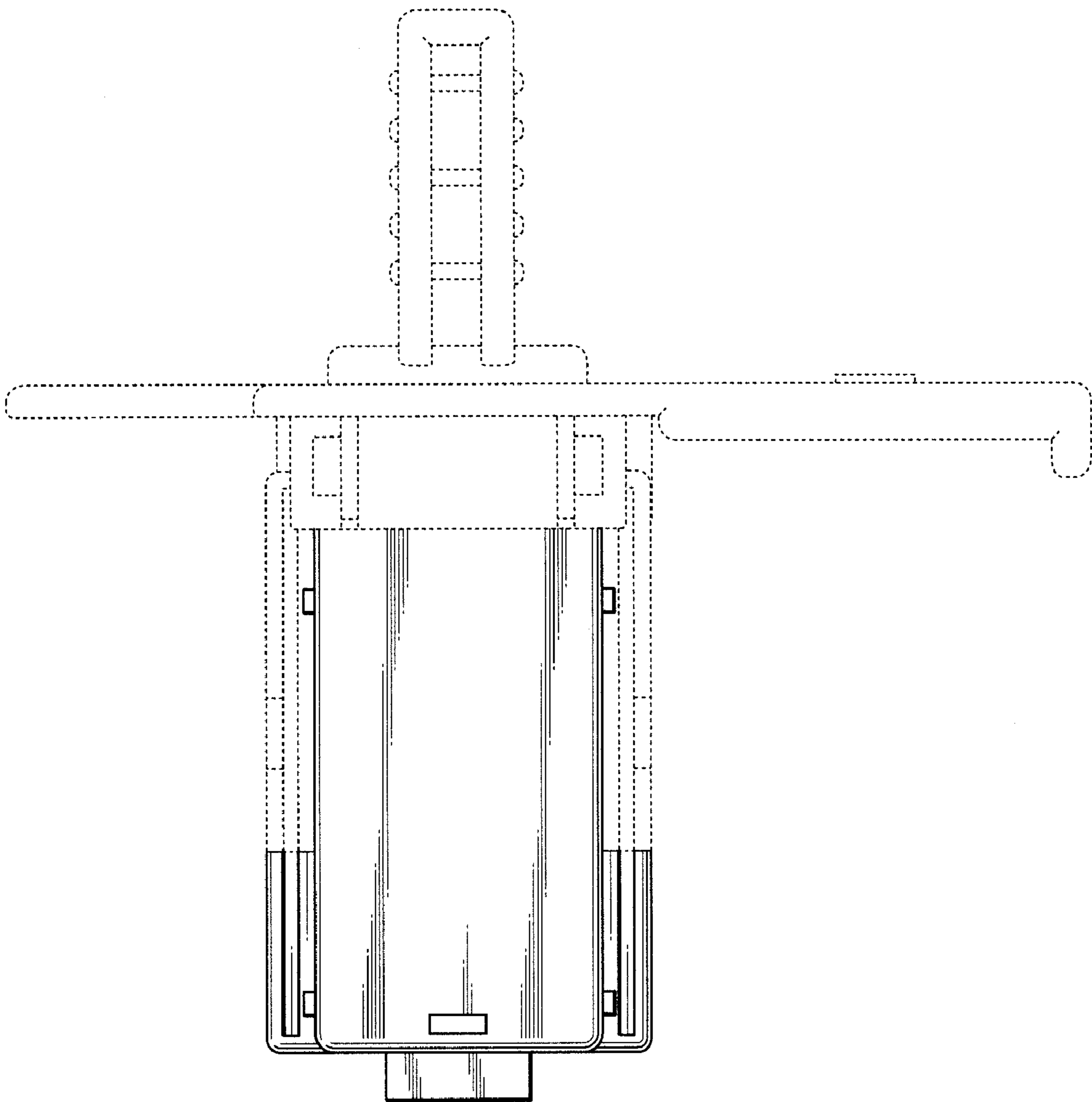


FIG.7

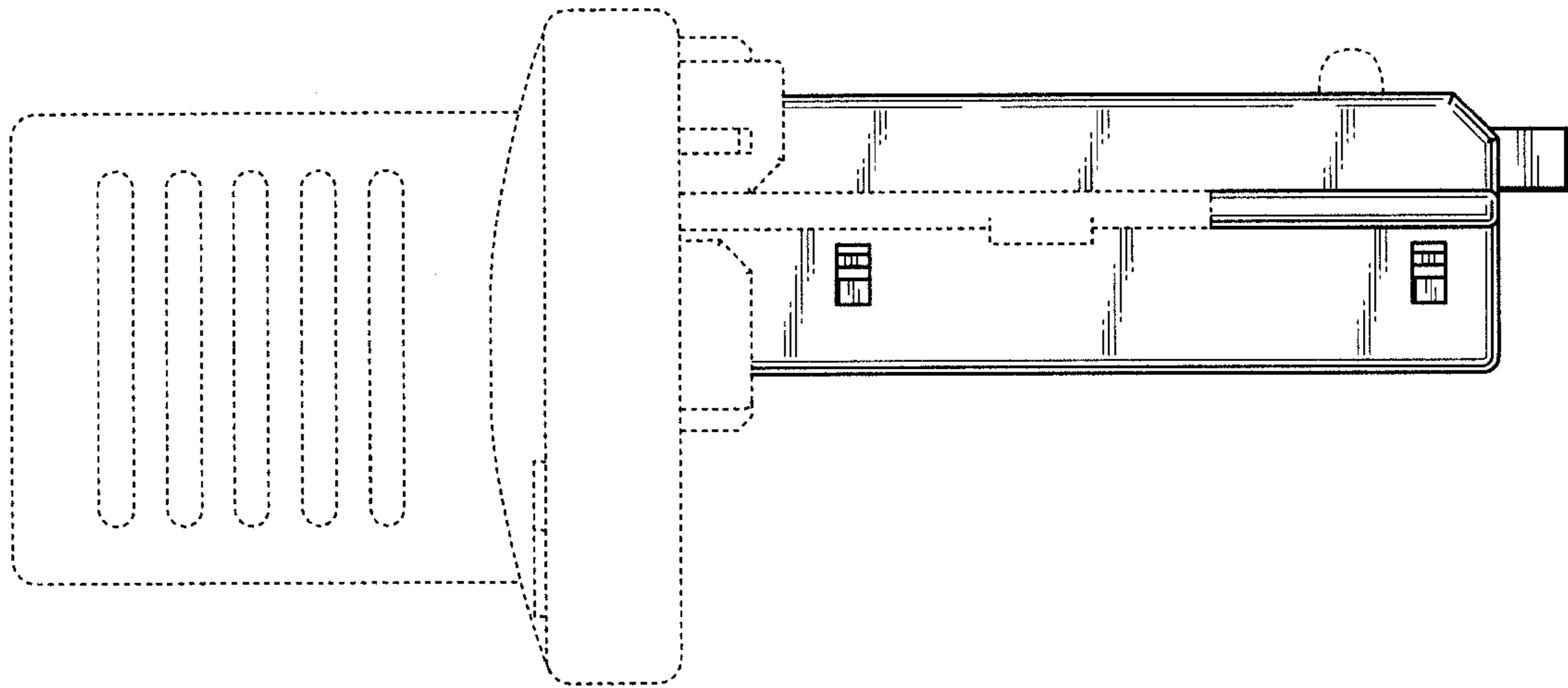


FIG.8

