

US00D606110S

(12) **United States Design Patent**  
**Inoue et al.**

(10) **Patent No.:** **US D606,110 S**

(45) **Date of Patent:** **\*\* Dec. 15, 2009**

(54) **PROJECTOR**

D578,150 S \* 10/2008 Sakamaki et al. .... D16/230  
D591,784 S \* 5/2009 Inoue et al. .... D16/230

(75) Inventors: **Saeko Inoue**, Matsumoto (JP); **Isao Sakamaki**, Matsumoto (JP); **Nobuyuki Otsuki**, Matsumoto (JP)

\* cited by examiner

*Primary Examiner*—Ian Simmons  
*Assistant Examiner*—Wan Laymon

(73) Assignee: **Seiko Epson Corporation**, Tokyo (JP)

(74) *Attorney, Agent, or Firm*—Olliff & Berridge, PLC

(\*\*) Term: **14 Years**

(57) **CLAIM**

(21) Appl. No.: **29/331,361**

The ornamental design for a projector, as shown and described.

(22) Filed: **Jan. 23, 2009**

(30) **Foreign Application Priority Data**

Nov. 28, 2008 (JP) ..... 2008-030533

**DESCRIPTION**

FIG. 1 is a front, top, and right-side perspective view of the projector with the lens cover open;

(51) **LOC (9) Cl.** ..... **16-02**

(52) **U.S. Cl.** ..... **D16/230; D16/225**

FIG. 2 is a front, top, and left-side perspective view of the projector with the lens cover closed;

(58) **Field of Classification Search** ..... D16/208,

D16/221, 225, 230–231, 234; D21/514;  
353/115, 119, 122

FIG. 3 is a front view of the projector with the lens cover open;

FIG. 4 is a rear view of the projector;

FIG. 5 is a left-side view of the projector;

FIG. 6 is a right-side view of the projector;

See application file for complete search history.

FIG. 7 is a top view of the projector with the lens cover open; and,

FIG. 8 is a bottom view of the projector.

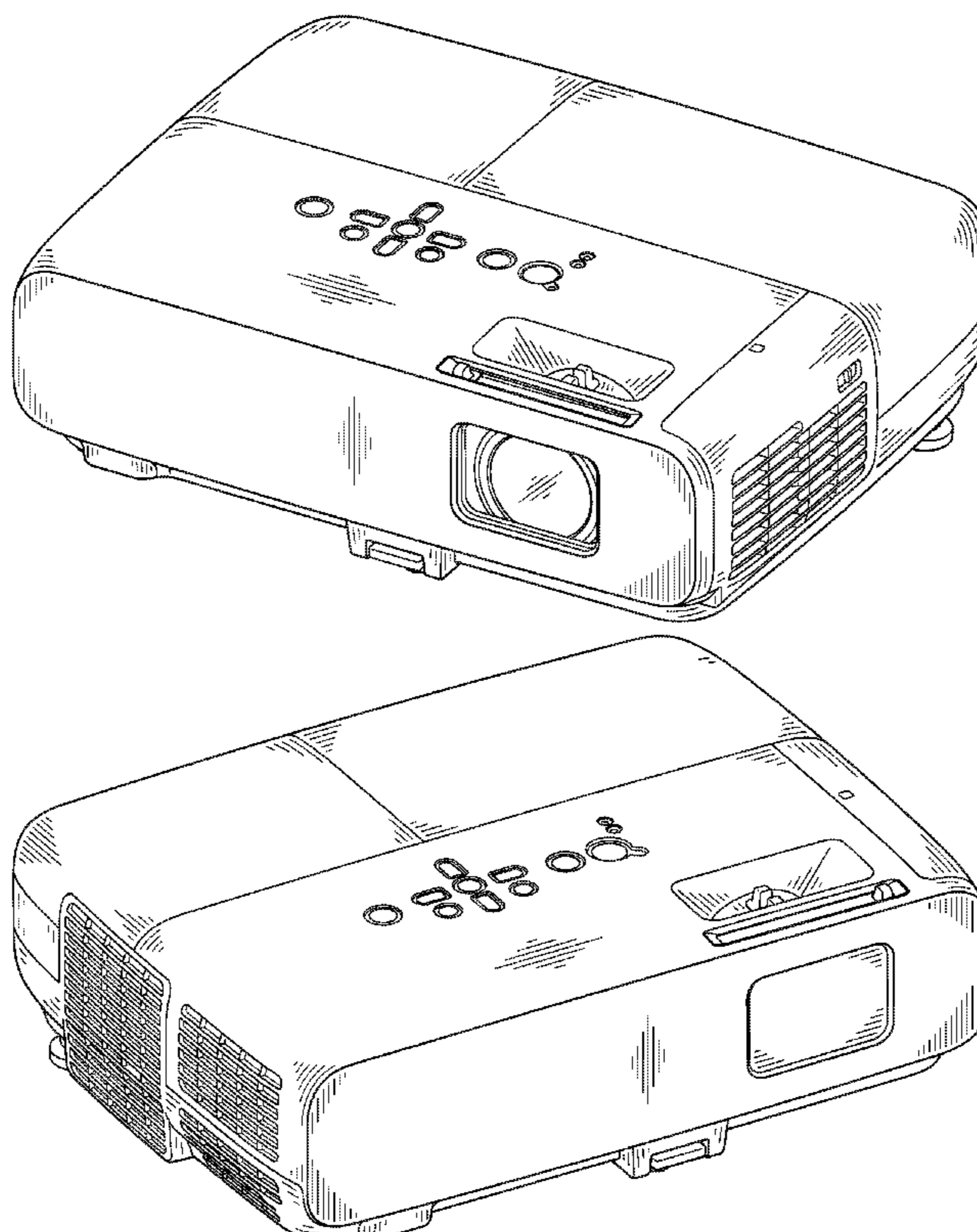
(56) **References Cited**

**U.S. PATENT DOCUMENTS**

D473,253 S \* 4/2003 Shimamoto ..... D16/231  
D551,691 S \* 9/2007 Sakamaki et al. .... D16/230  
D555,185 S \* 11/2007 Nozue et al. .... D16/230  
D555,697 S \* 11/2007 Kawabe et al. .... D16/230  
D565,077 S \* 3/2008 Sakamaki et al. .... D16/230  
D574,406 S \* 8/2008 Sakamaki et al. .... D16/230

The broken lines shown portions of the projector is included for the purpose of illustrating environmental structure and forms no part of the claimed design.

**1 Claim, 7 Drawing Sheets**



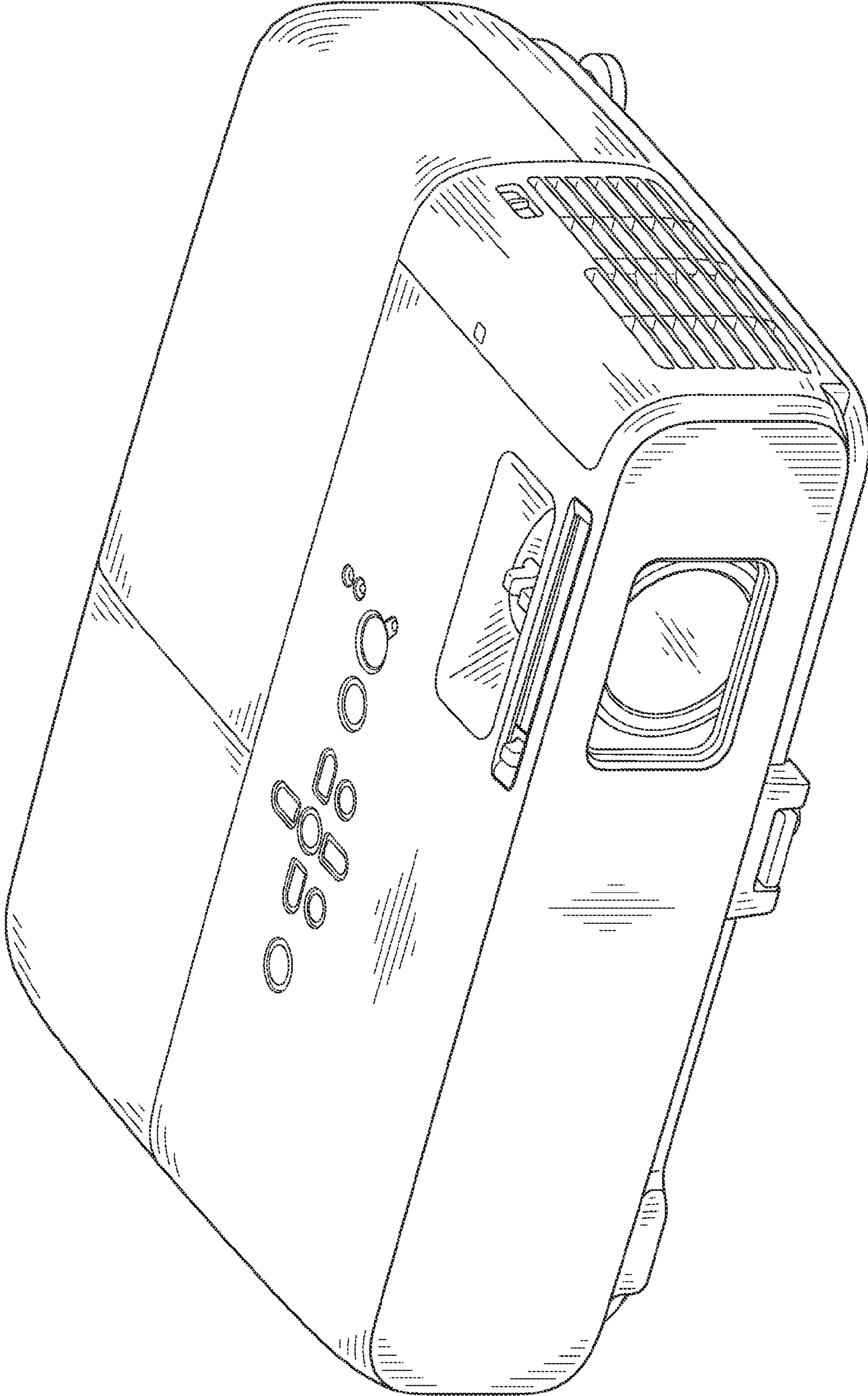


FIG. 1

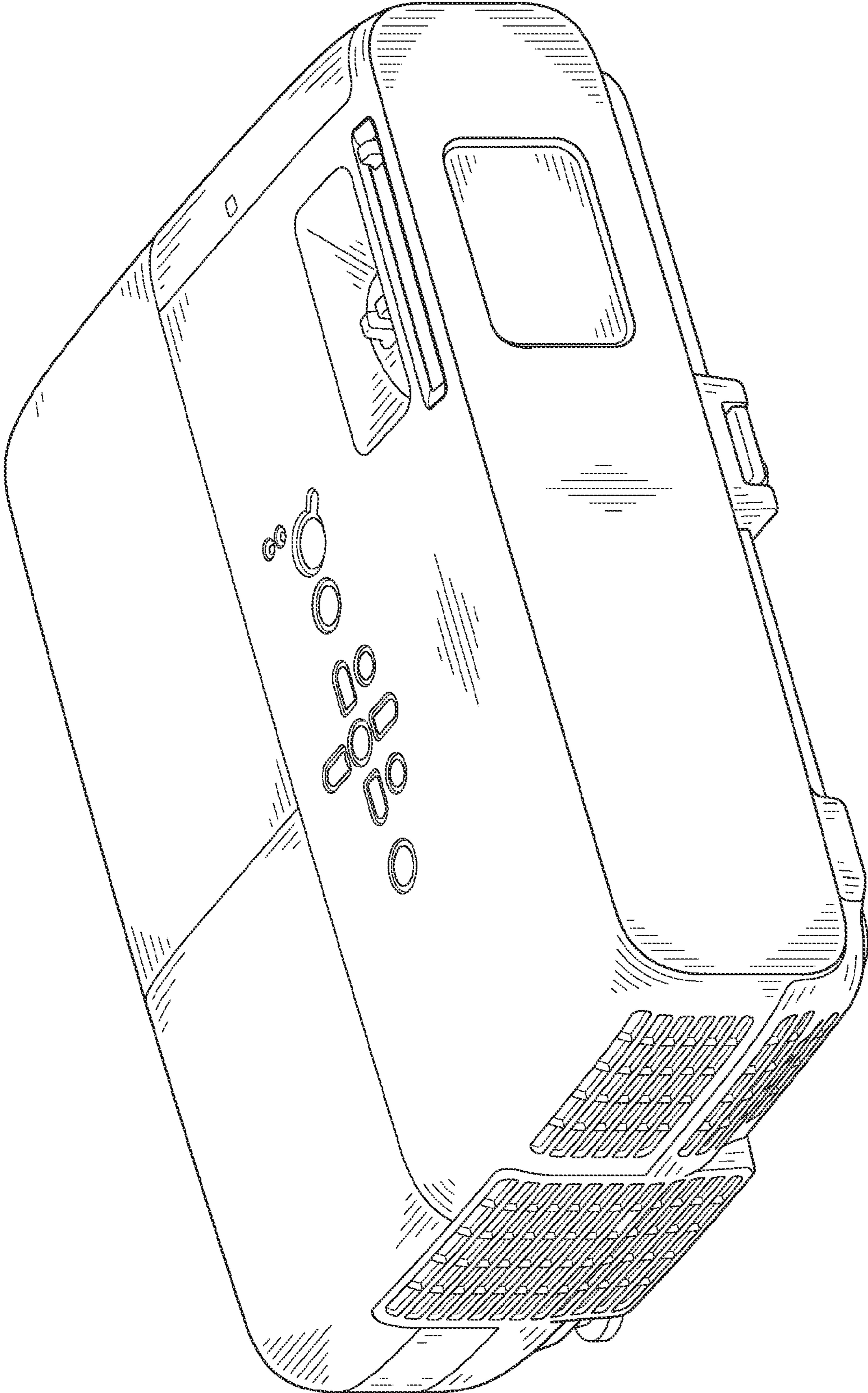


FIG. 2

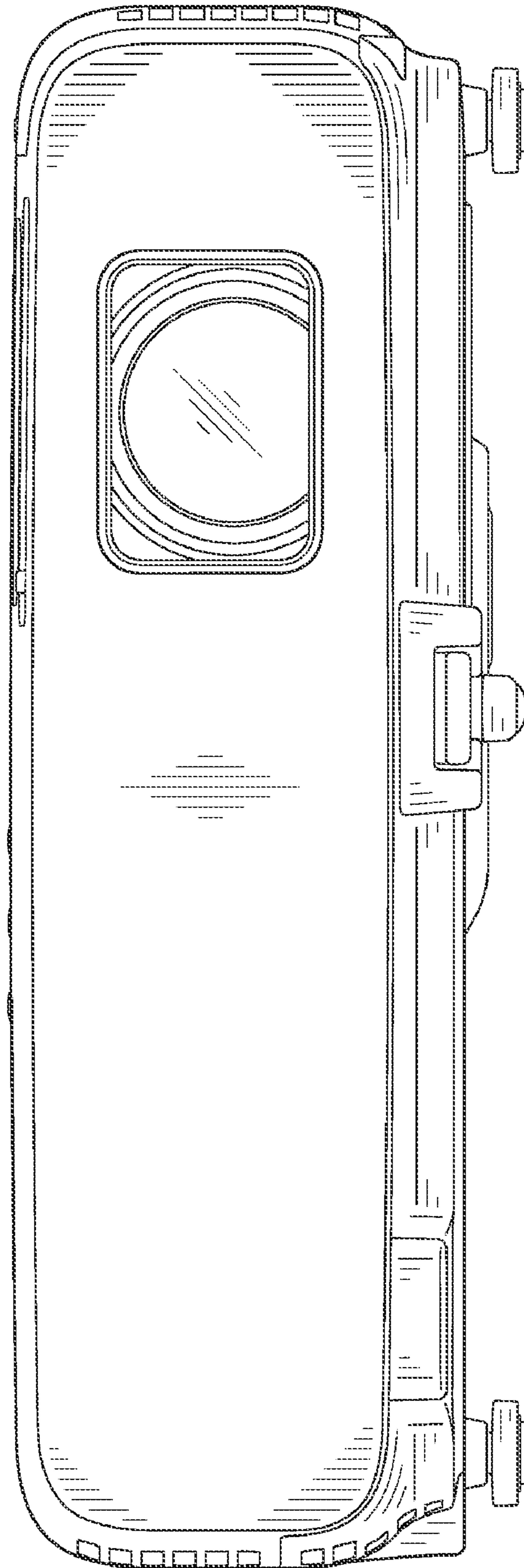


FIG. 3

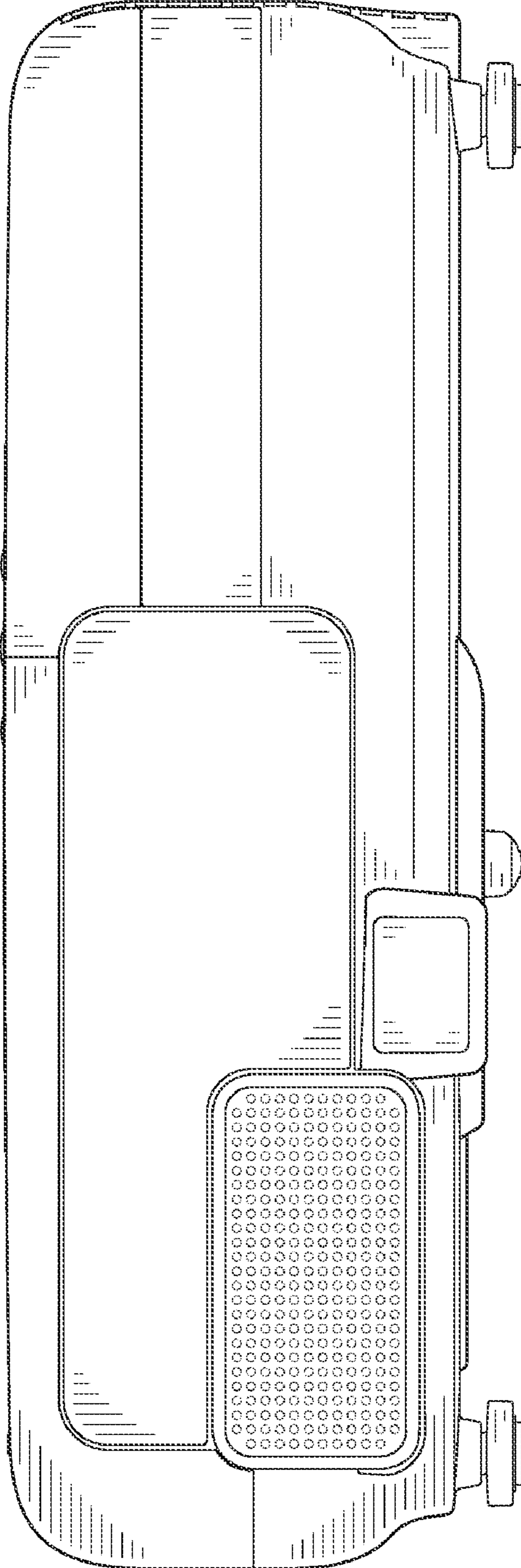


FIG. 4

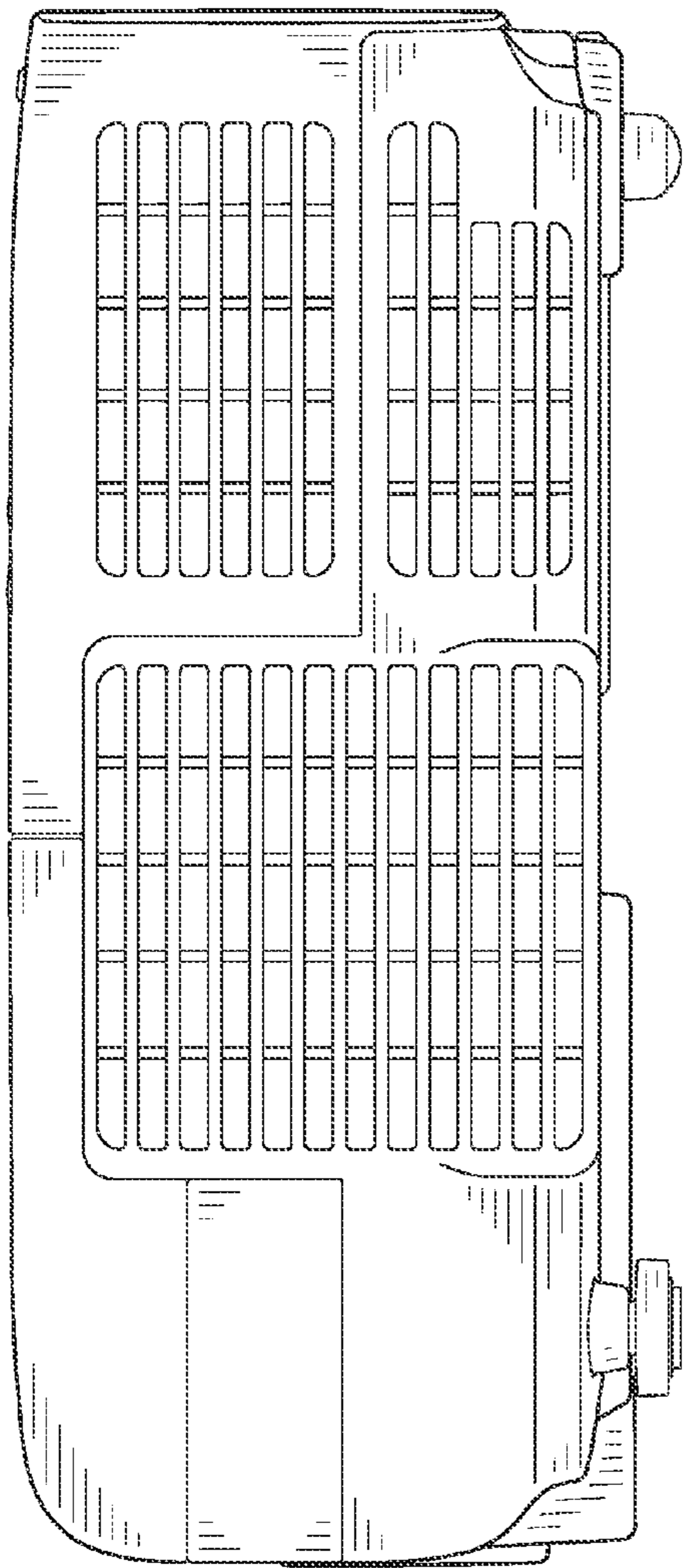


FIG. 5

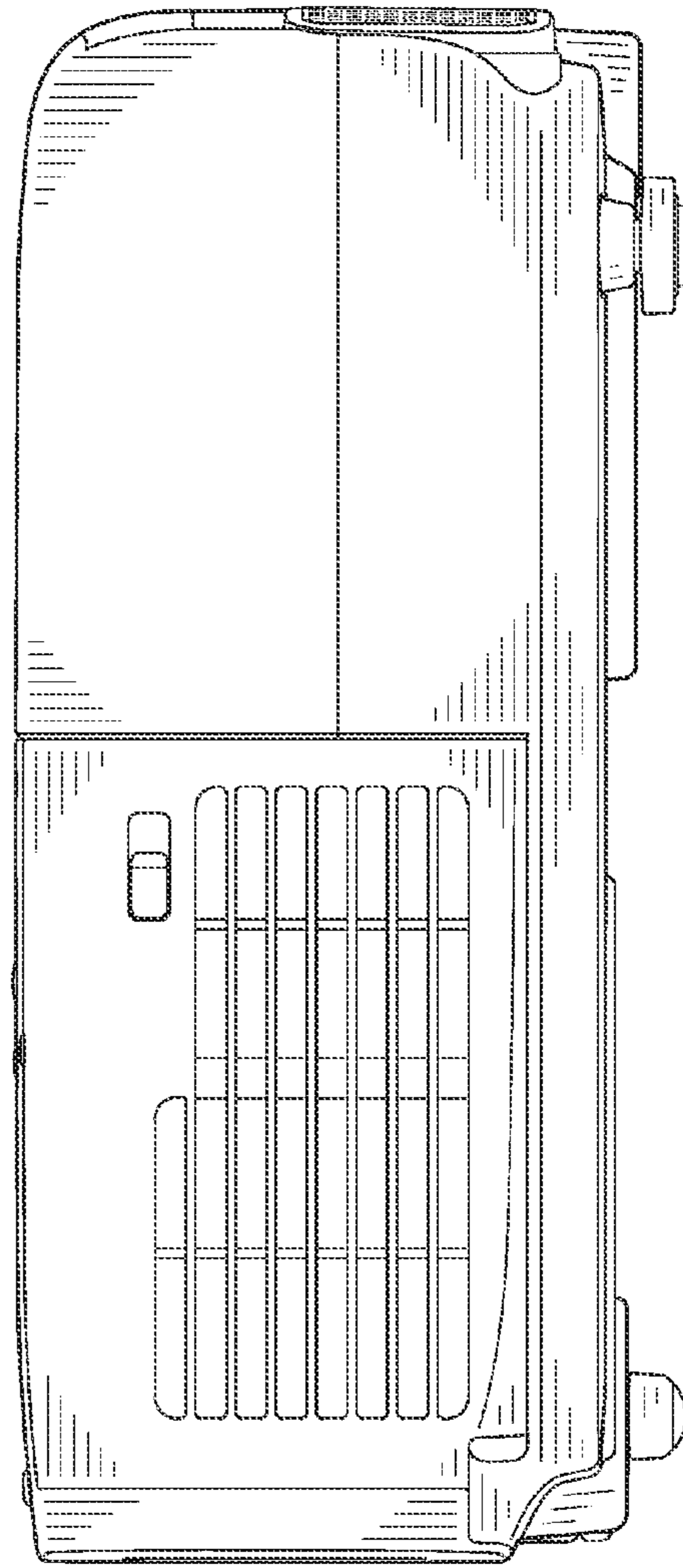


FIG. 6

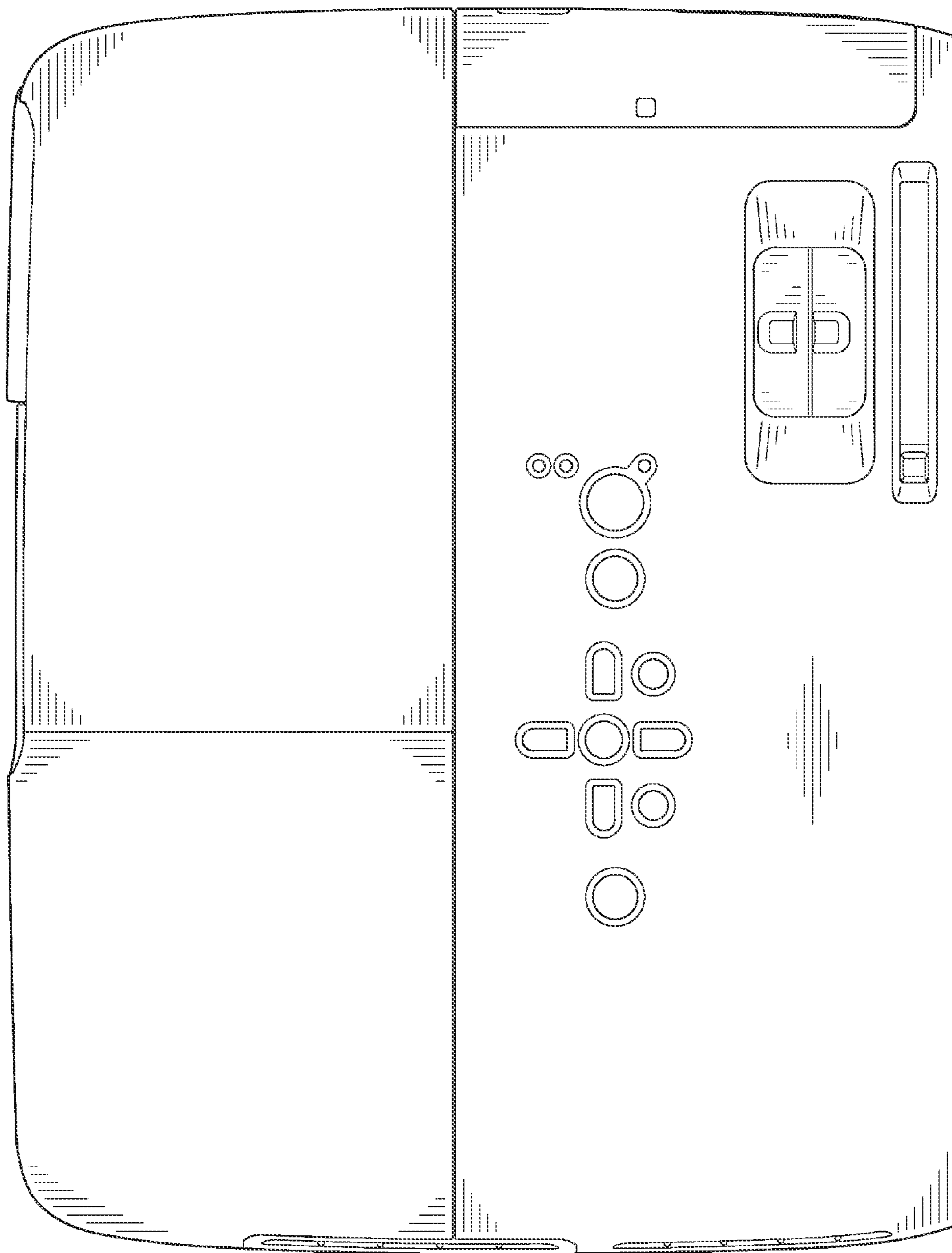


FIG. 7

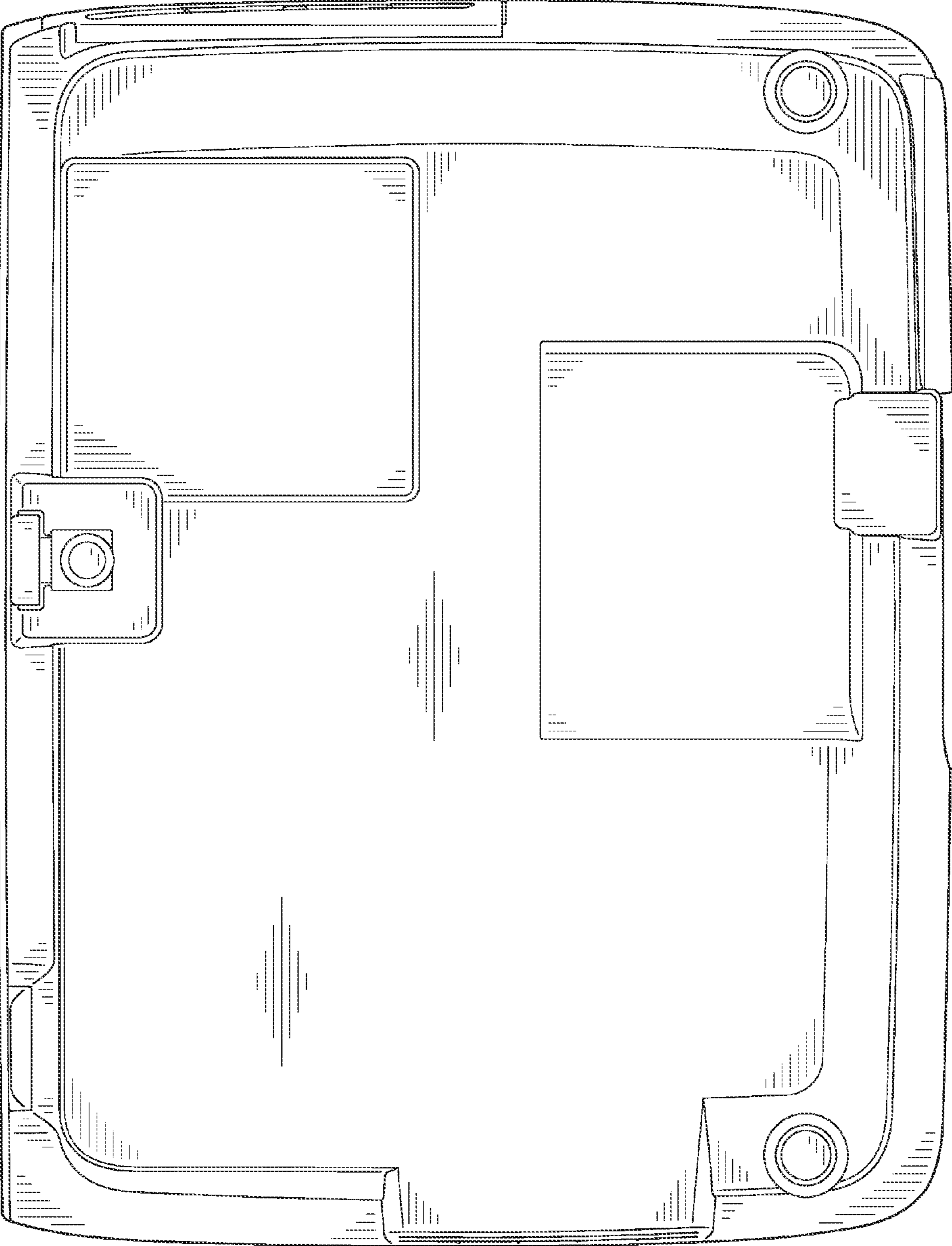


FIG. 8