



US00D606109S

(12) **United States Design Patent**
Tatara et al.

(10) **Patent No.:** **US D606,109 S**
(45) **Date of Patent:** **** Dec. 15, 2009**

(54) **PROJECTOR**

(75) Inventors: **Yoshihiro Tatara**, Matsumoto (JP);
Tetsu Nakayama, Matsumoto (JP);
Kiyomasa Shirakura, Matsumoto (JP);
Mika Koyama, Matsumoto (JP)

(73) Assignee: **Seiko Epson Corporation**, Tokyo (JP)

(**) Term: **14 Years**

(21) Appl. No.: **29/331,164**

(22) Filed: **Jan. 21, 2009**

(30) **Foreign Application Priority Data**

Jul. 31, 2008 (JP) 2008-019721

(51) **LOC (9) Cl.** **16-02**

(52) **U.S. Cl.** **D16/230; D16/225**

(58) **Field of Classification Search** D16/208,
D16/221, 225, 230-231, 234; D21/514;
353/115, 119, 122

See application file for complete search history.

(56) **References Cited**

U.S. PATENT DOCUMENTS

3,269,793 A * 8/1966 White, Jr. 352/29
D327,905 S * 7/1992 Kamijima et al. D18/36
D398,321 S * 9/1998 Iida D16/230

D442,983 S * 5/2001 Goto et al. D16/230
D545,862 S * 7/2007 Kawasaki et al. D16/230
D551,690 S * 9/2007 Kawabe et al. D16/230
D588,619 S * 3/2009 Kawabe et al. D16/230

* cited by examiner

Primary Examiner—Ian Simmons

Assistant Examiner—Wan Laymon

(74) *Attorney, Agent, or Firm*—Olliff & Berridge, PLC

(57) **CLAIM**

The ornamental design for a projector, as shown and described.

DESCRIPTION

FIG. 1 is a perspective view of a projector;

FIG. 2 is a front view thereof;

FIG. 3 is a rear view thereof;

FIG. 4 is a left-side view thereof;

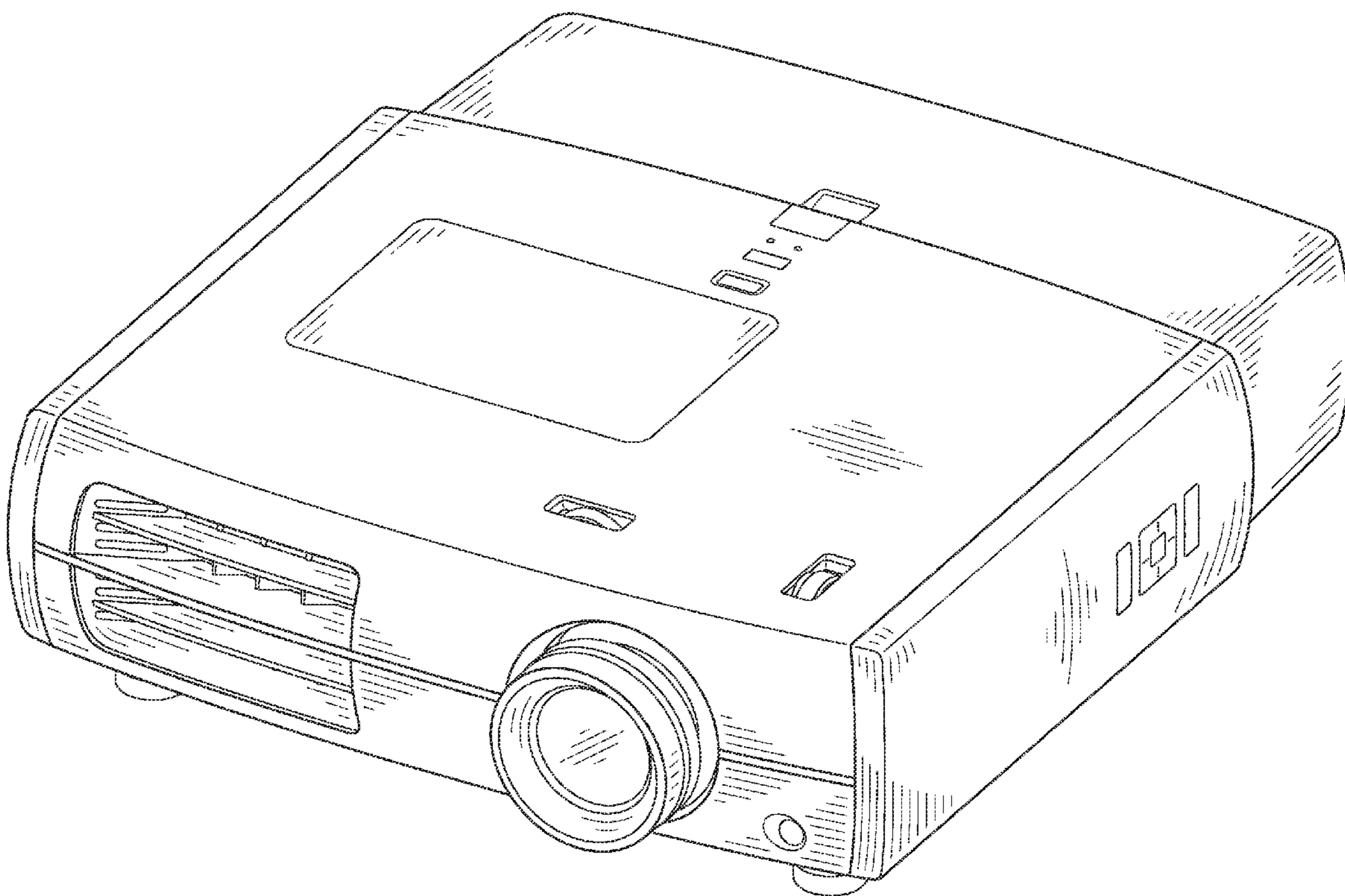
FIG. 5 is a right-side view thereof;

FIG. 6 is a top view thereof; and,

FIG. 7 is a bottom view thereof

The broken line showing portions of a projector is included for the purpose of illustrating environmental structure and forms no part of the claimed design.

1 Claim, 5 Drawing Sheets



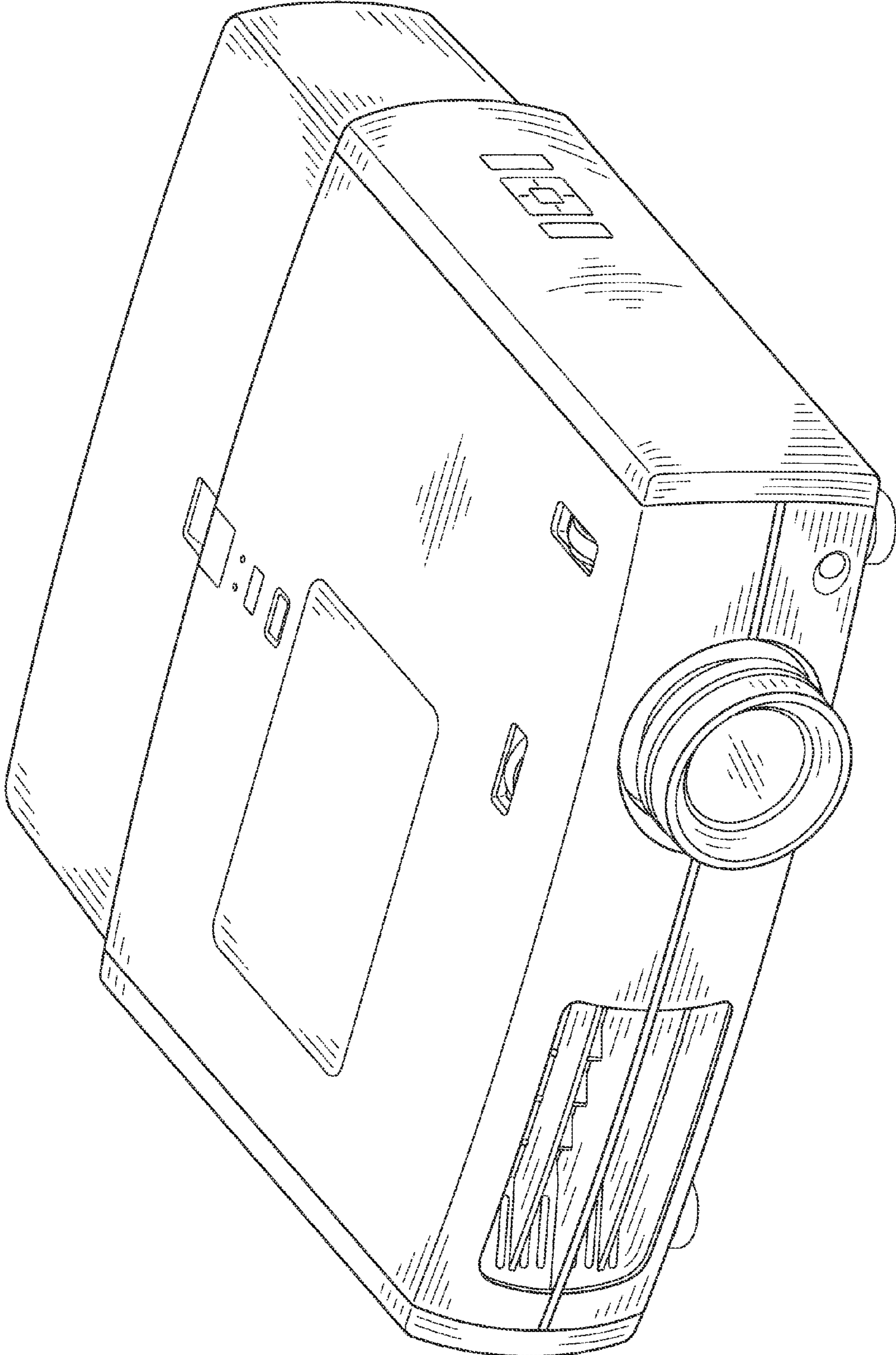


FIG. 1

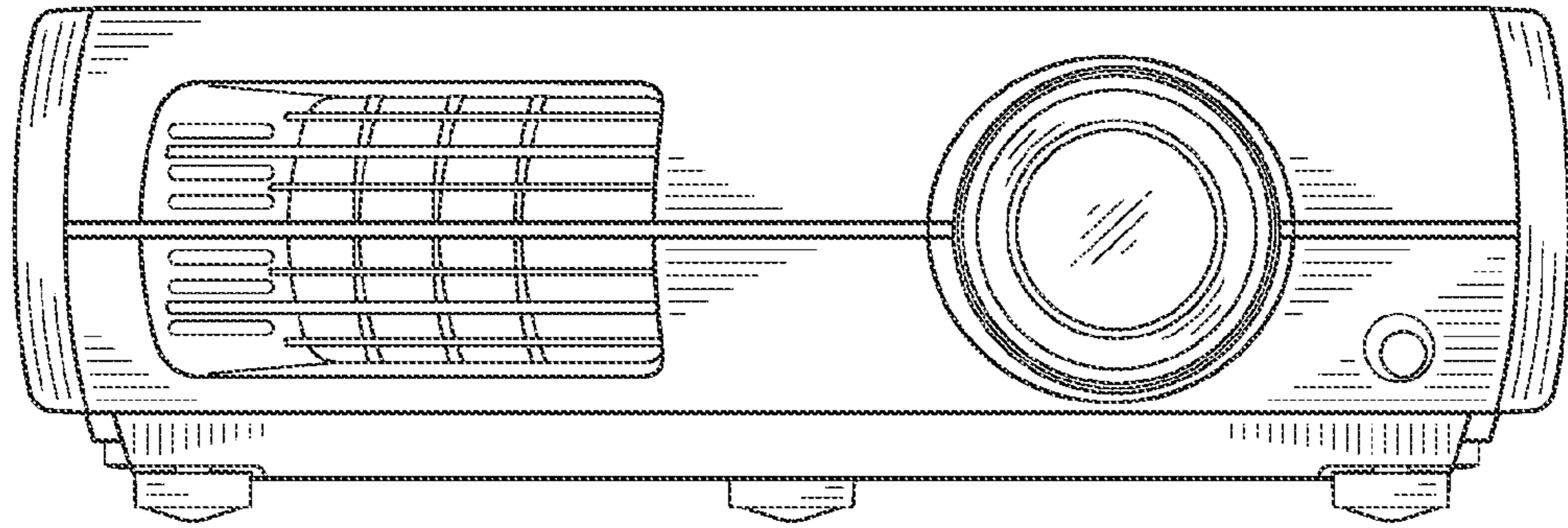


FIG. 2

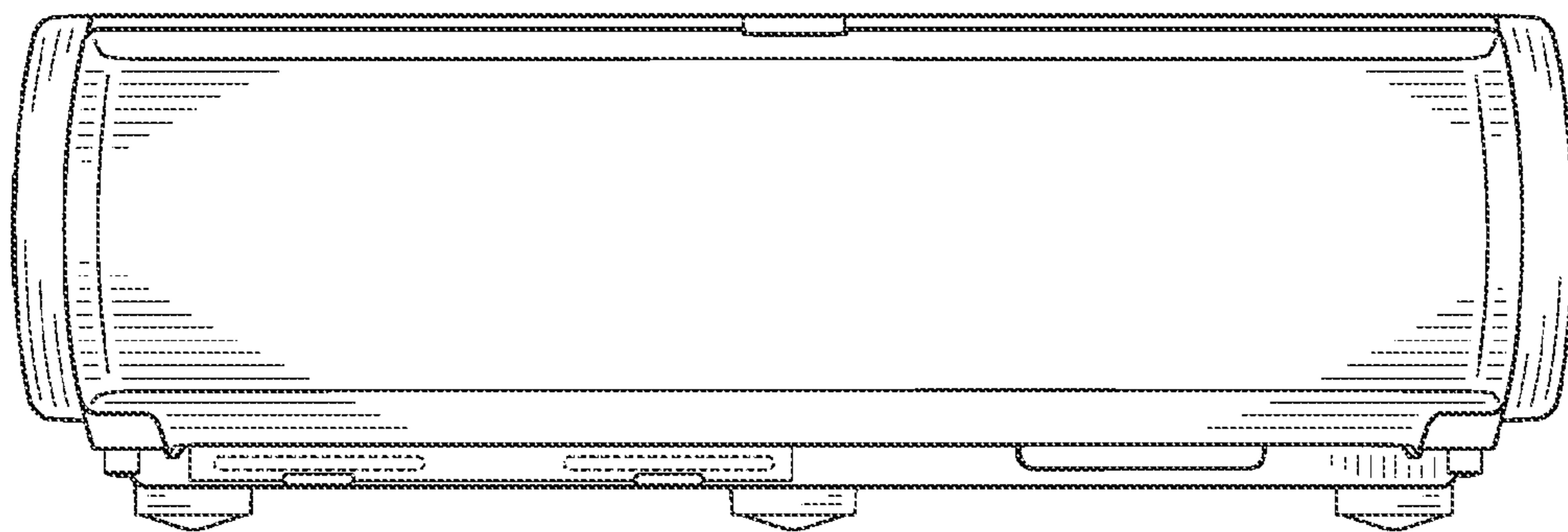


FIG. 3

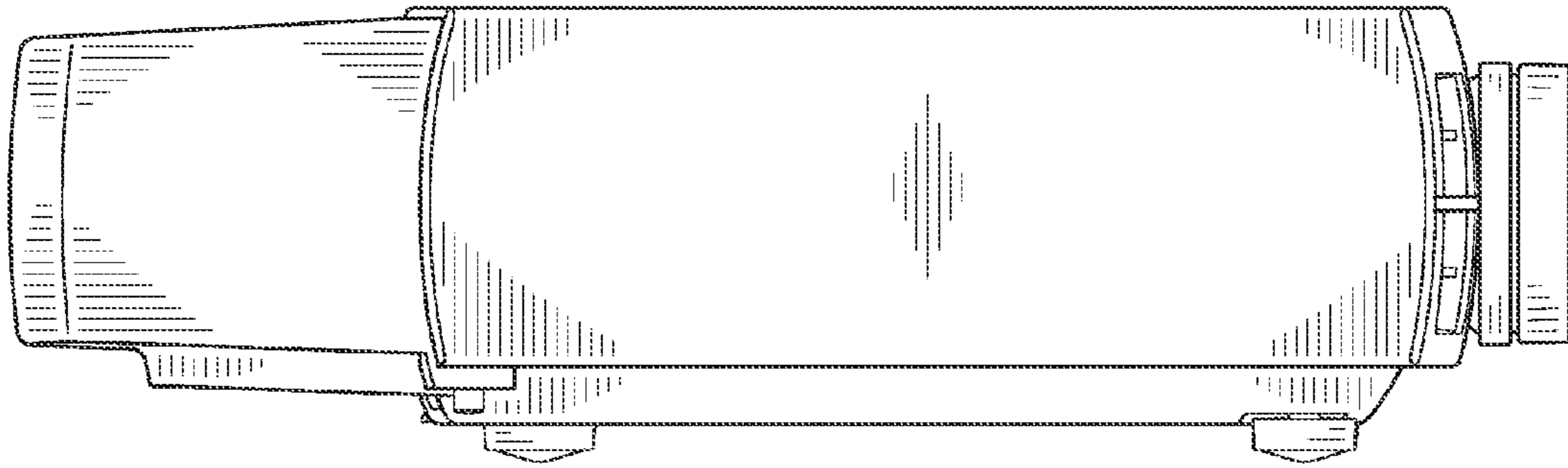


FIG. 4

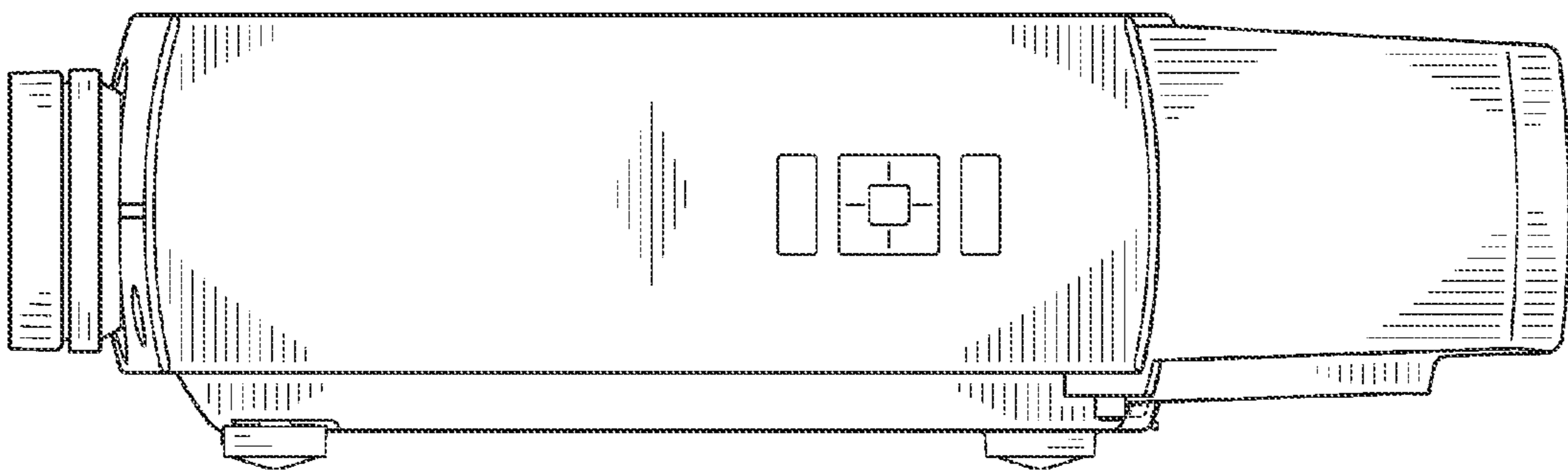


FIG. 5

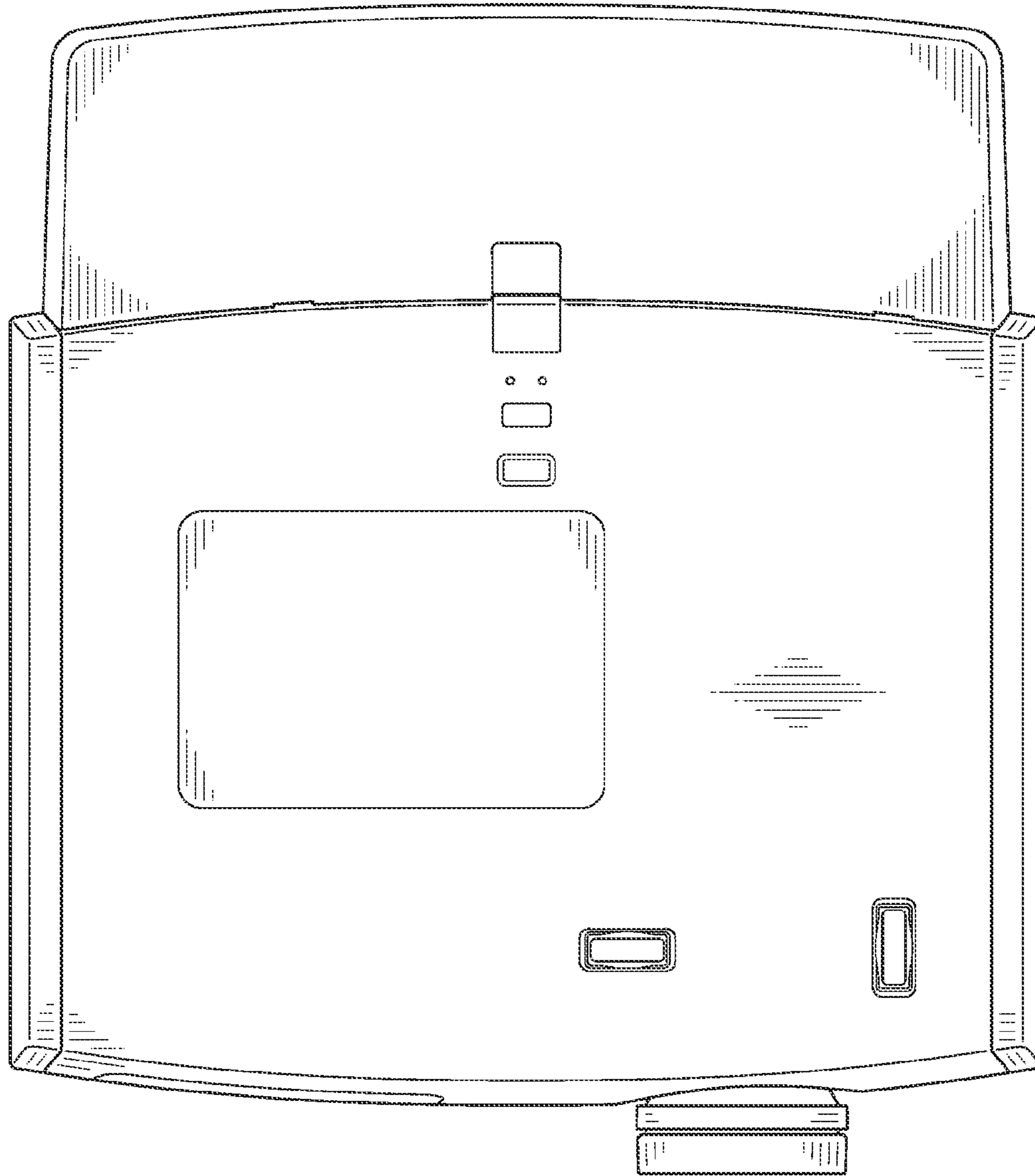


FIG. 6

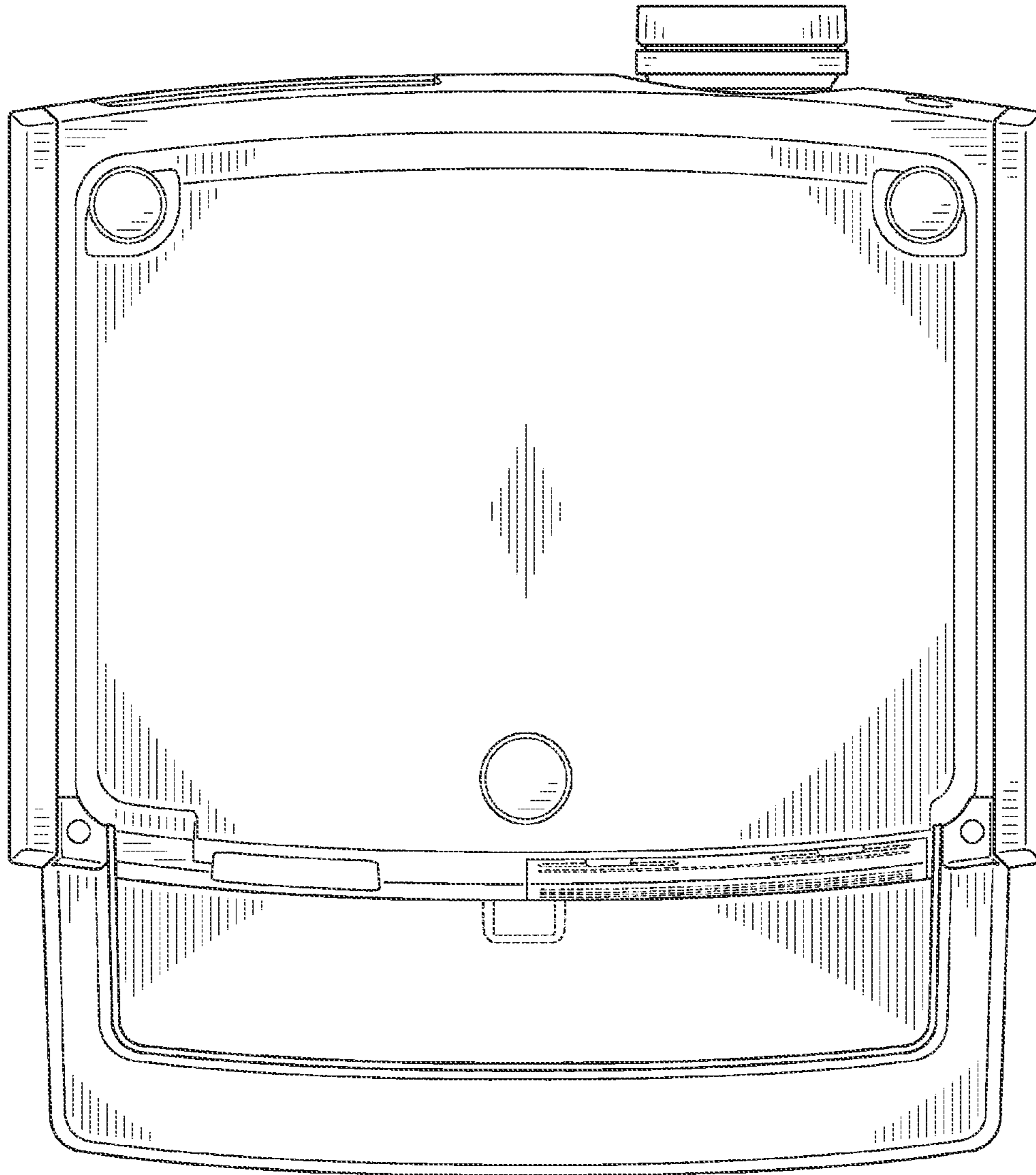


FIG. 7