



US00D606108S

(12) **United States Design Patent**
Feinbloom et al.

(10) **Patent No.:** **US D606,108 S**
(45) **Date of Patent:** **** Dec. 15, 2009**

(54) **CAMERA VIEW FINDER**

(75) Inventors: **Richard E. Feinbloom**, New York, NY (US); **David B. Soll**, Ambler, PA (US)

(73) Assignee: **Image Optical, LLC**, Ambler, PA (US)

(**) Term: **14 Years**

(21) Appl. No.: **29/308,793**

(22) Filed: **Jul. 8, 2008**

(51) **LOC (9) Cl.** **16-05**

(52) **U.S. Cl.** **D16/220**

(58) **Field of Classification Search** D16/200, D16/201, 218, 219, 220, 237; 348/373, 375, 348/376; 396/373-378, 535, 540, 541, 544
See application file for complete search history.

(56) **References Cited**

U.S. PATENT DOCUMENTS

D124,324 S * 12/1940 Mihalyi D16/220
3,212,422 A * 10/1965 Nerwin et al. D16/220

D208,593 S * 9/1967 Conner et al. D16/220
4,109,264 A * 8/1978 Pizzuti et al. 396/341
4,648,696 A * 3/1987 Park et al. 396/535
D289,409 S * 4/1987 Colani D16/218

* cited by examiner

Primary Examiner—Adir Aronovich

(74) *Attorney, Agent, or Firm*—Plevy & Keene LLP

(57) **CLAIM**

We claim, the ornamental design for a camera view finder, as shown and described.

DESCRIPTION

FIG. 1 is a front elevational view of a camera view finder showing our new design;

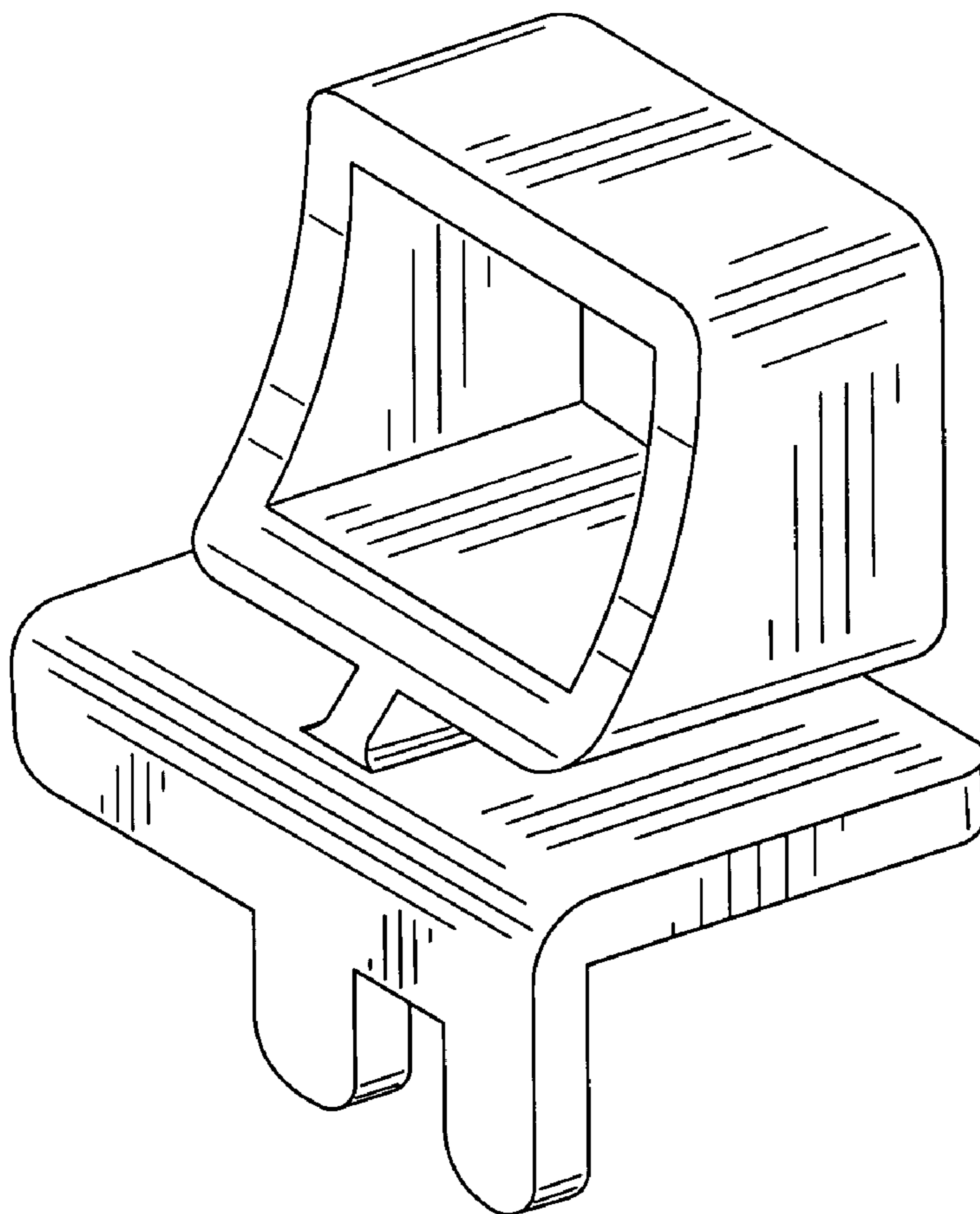
FIG. 2 is a left side elevational view thereof,

FIG. 3 is a right side elevational view thereof,

FIG. 4 is a rear elevational view thereof; and,

FIG. 5 a top, front and right side perspective view thereof.

1 Claim, 4 Drawing Sheets



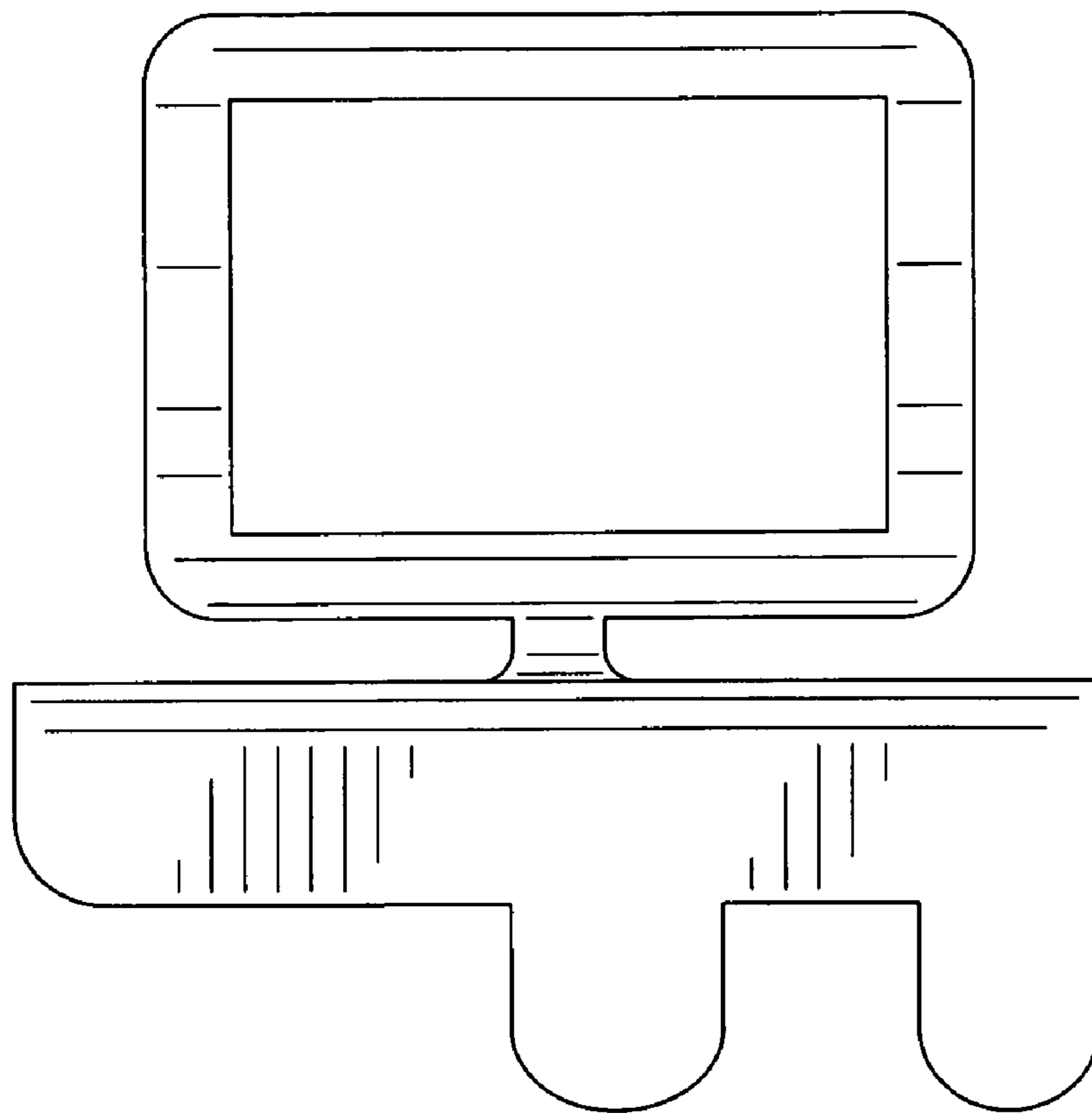


FIG. 1

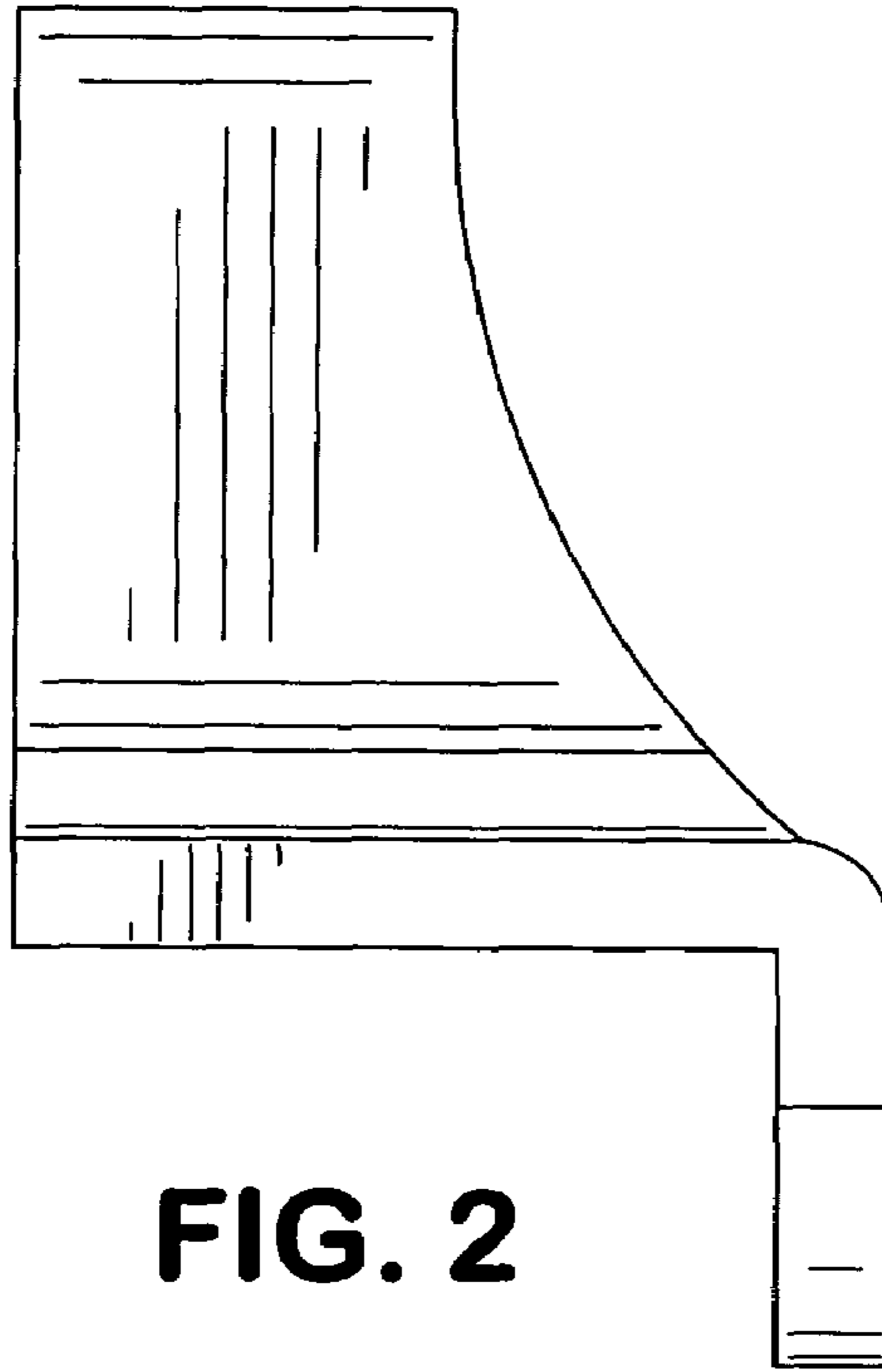


FIG. 2

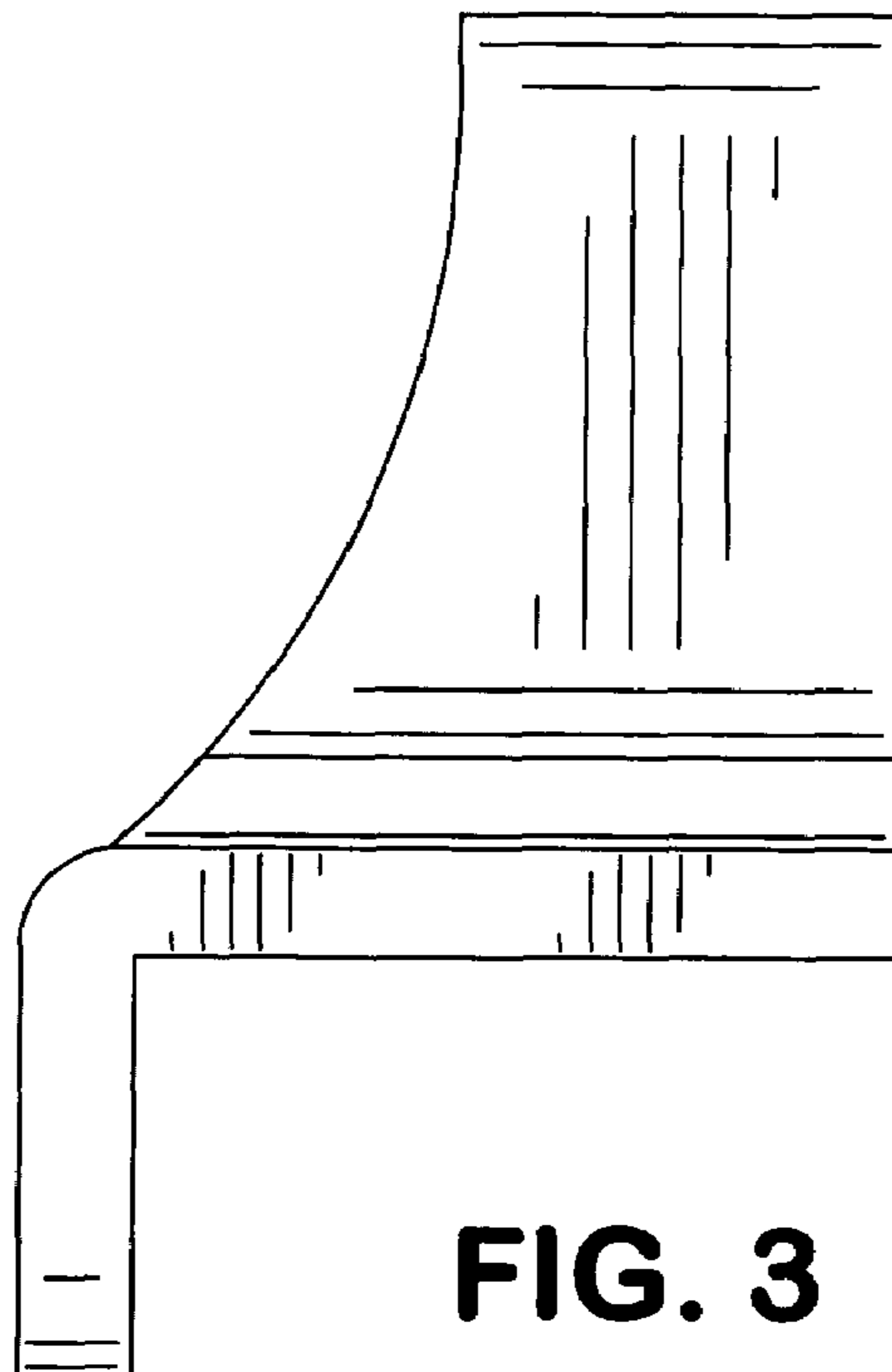


FIG. 3

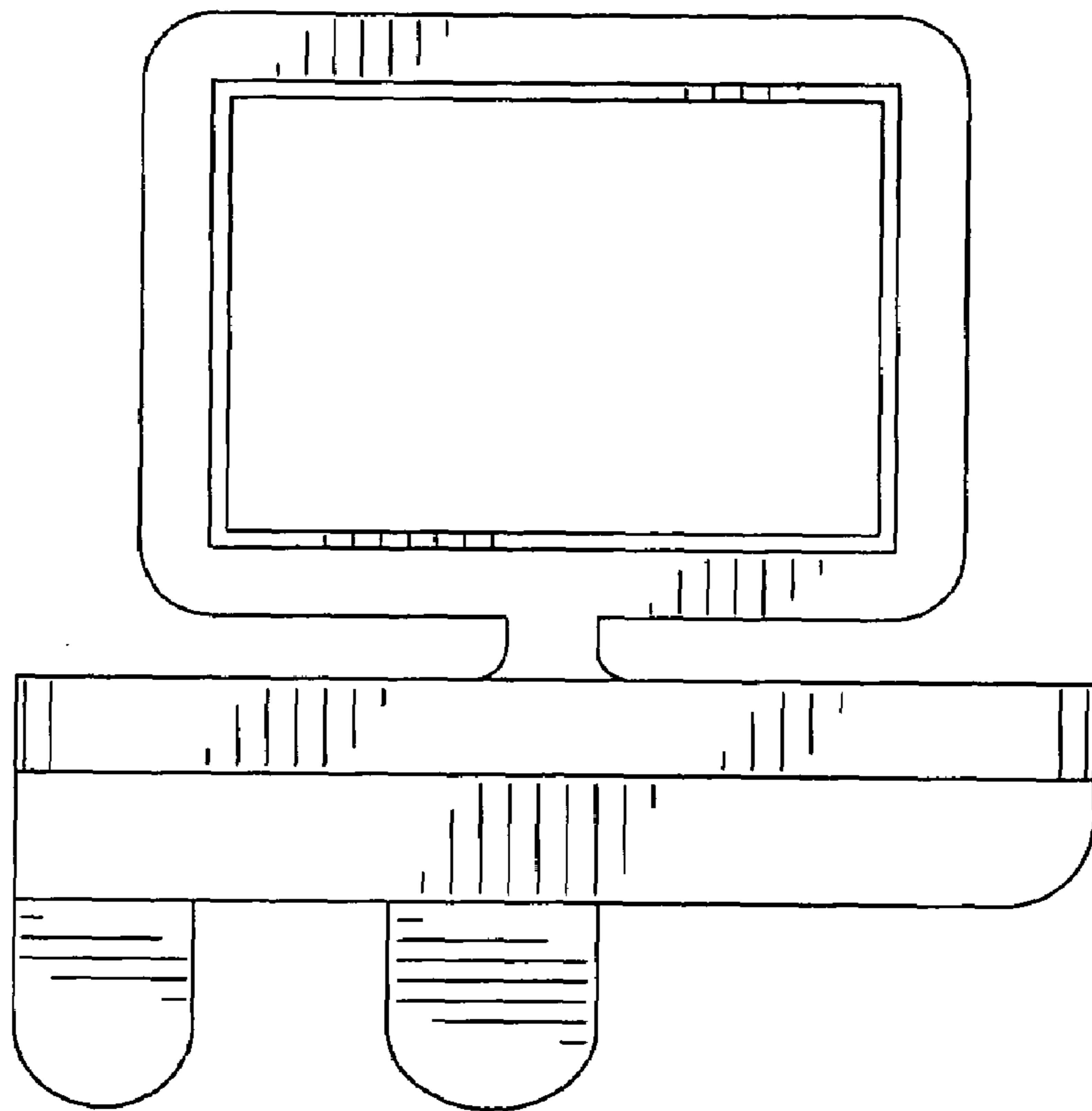


FIG. 4

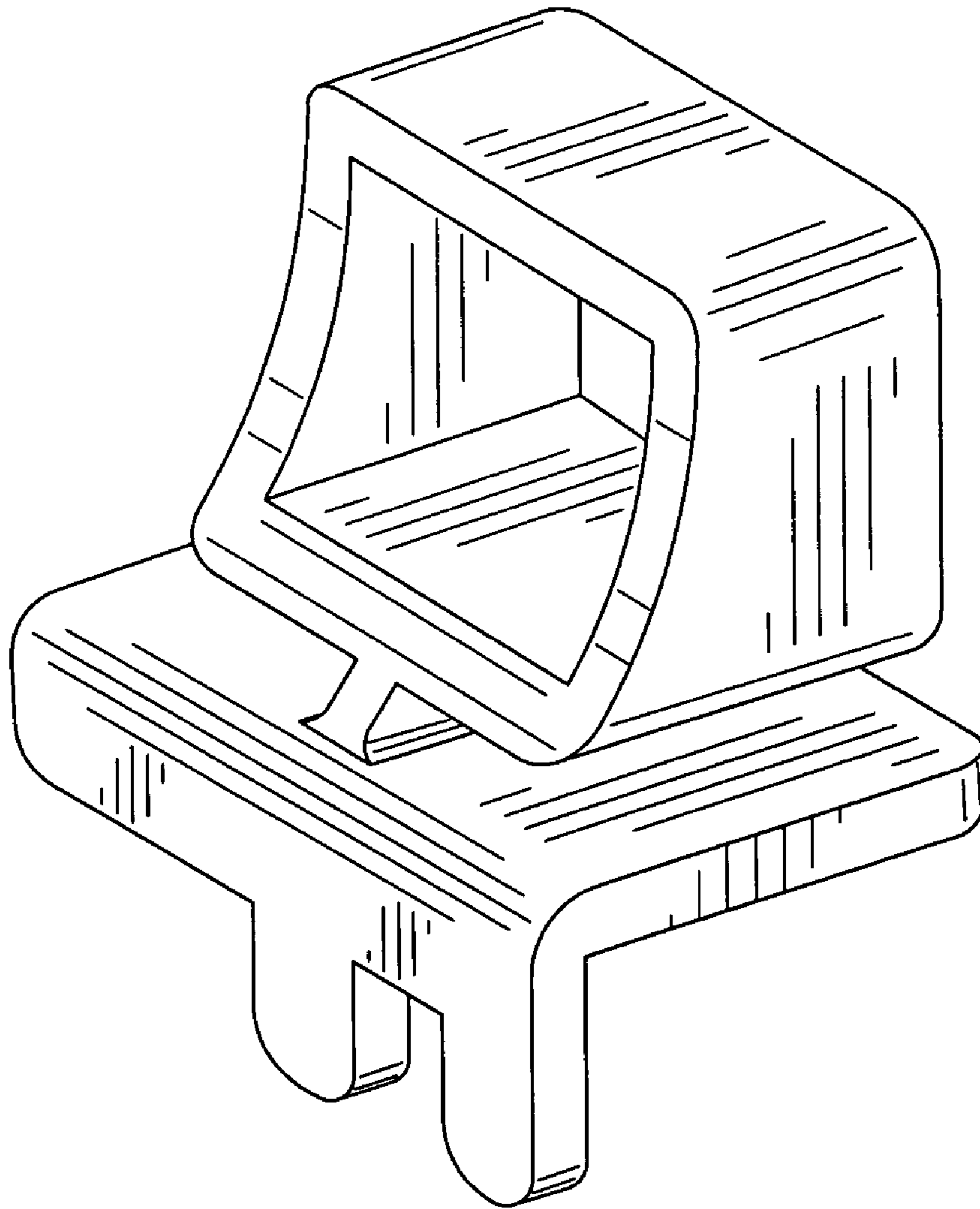


FIG. 5