



US00D606106S

(12) **United States Design Patent**  
**Kim et al.**

(10) **Patent No.:** **US D606,106 S**  
(45) **Date of Patent:** **\*\* Dec. 15, 2009**

(54) **ELECTRONIC CAMERA**

(74) *Attorney, Agent, or Firm*—Banner & Witcoff, Ltd.

(75) Inventors: **Young Soo Kim**, Bellevue, WA (US);  
**Ralf Groene**, Kirkland, WA (US); **Dan O’Neil**, Seattle, WA (US)

(57) **CLAIM**

The ornamental design for an electronic camera, as shown and described.

(73) Assignee: **Microsoft Corporation**, Redmond, WA (US)

**DESCRIPTION**

(\*\*) Term: **14 Years**

FIG. 1 is a front perspective view of an electronic camera showing our new design;

(21) Appl. No.: **29/306,512**

FIG. 2 is a front view thereof;

(22) Filed: **Apr. 10, 2008**

FIG. 3 is a rear view thereof;

(51) **LOC (9) Cl.** ..... **16-01**

FIG. 4 is a left side view thereof;

(52) **U.S. Cl.** ..... **D16/218**

FIG. 5 is a right side view thereof;

(58) **Field of Classification Search** ..... D16/200–204,  
D16/208, 218, 219, 242; 348/333.01, 373–376;  
358/909.1; 396/535–541

FIG. 6 is a top view thereof;

FIG. 7 is a bottom view thereof;

See application file for complete search history.

FIG. 8 is a front perspective view of the portion of the electronic camera of FIGS. 1–7 in an alternate configuration;

(56) **References Cited**

FIG. 9 is a front view thereof;

**U.S. PATENT DOCUMENTS**

FIG. 10 is a rear view thereof;

6,462,781 B1 *	10/2002	Arnold	.....	348/373
D494,204 S *	8/2004	Naruke	.....	D16/203
D527,755 S *	9/2006	Wu	.....	D16/202
D576,654 S *	9/2008	Kim et al.	.....	D16/218
D579,967 S *	11/2008	Jones et al.	.....	D16/202
D592,233 S *	5/2009	Kim et al.	.....	D16/219
D592,234 S *	5/2009	Kim et al.	.....	D16/219

FIG. 11 is a left side view thereof;

FIG. 12 is a right side view thereof;

FIG. 13 is a top view thereof; and,

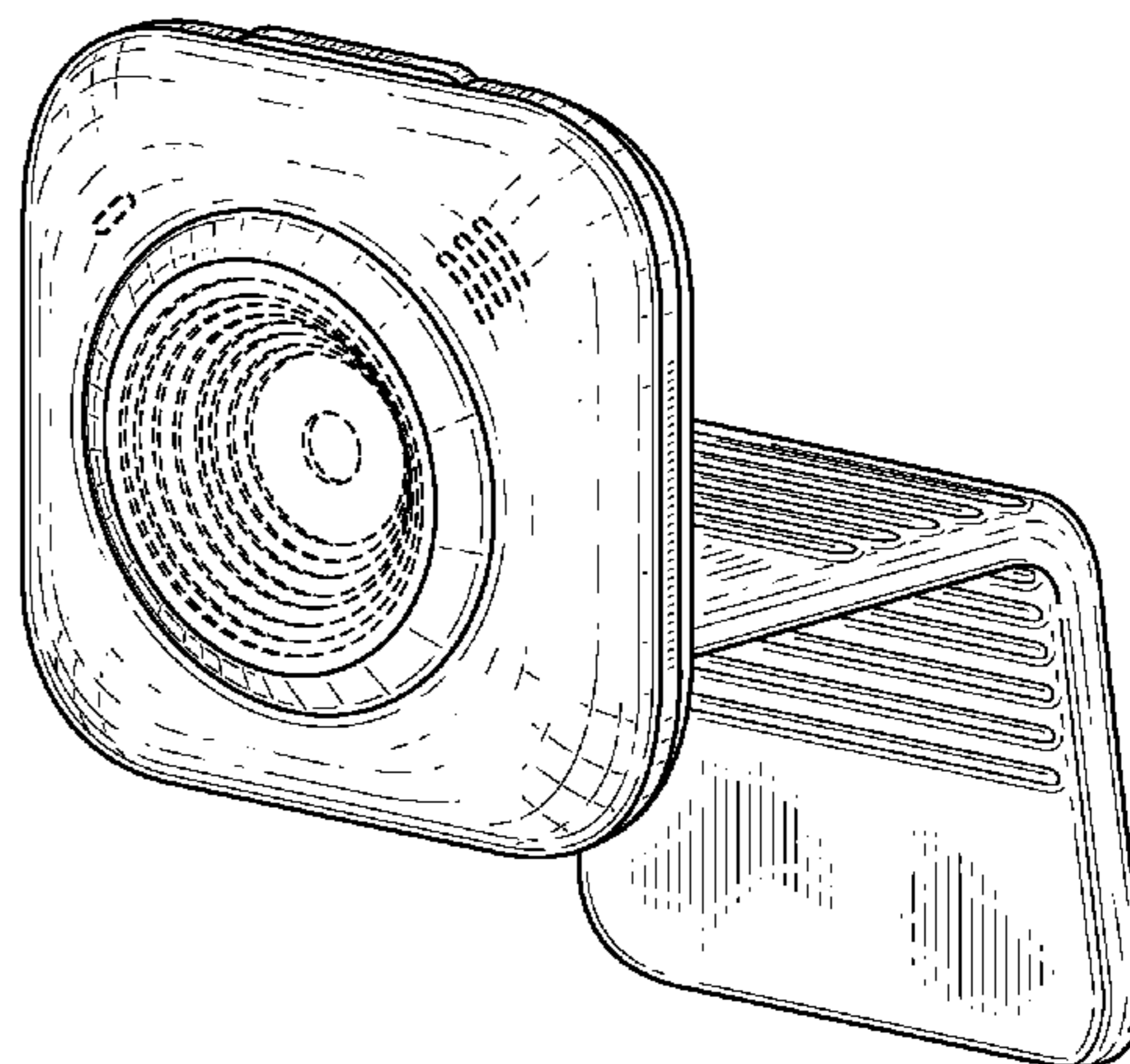
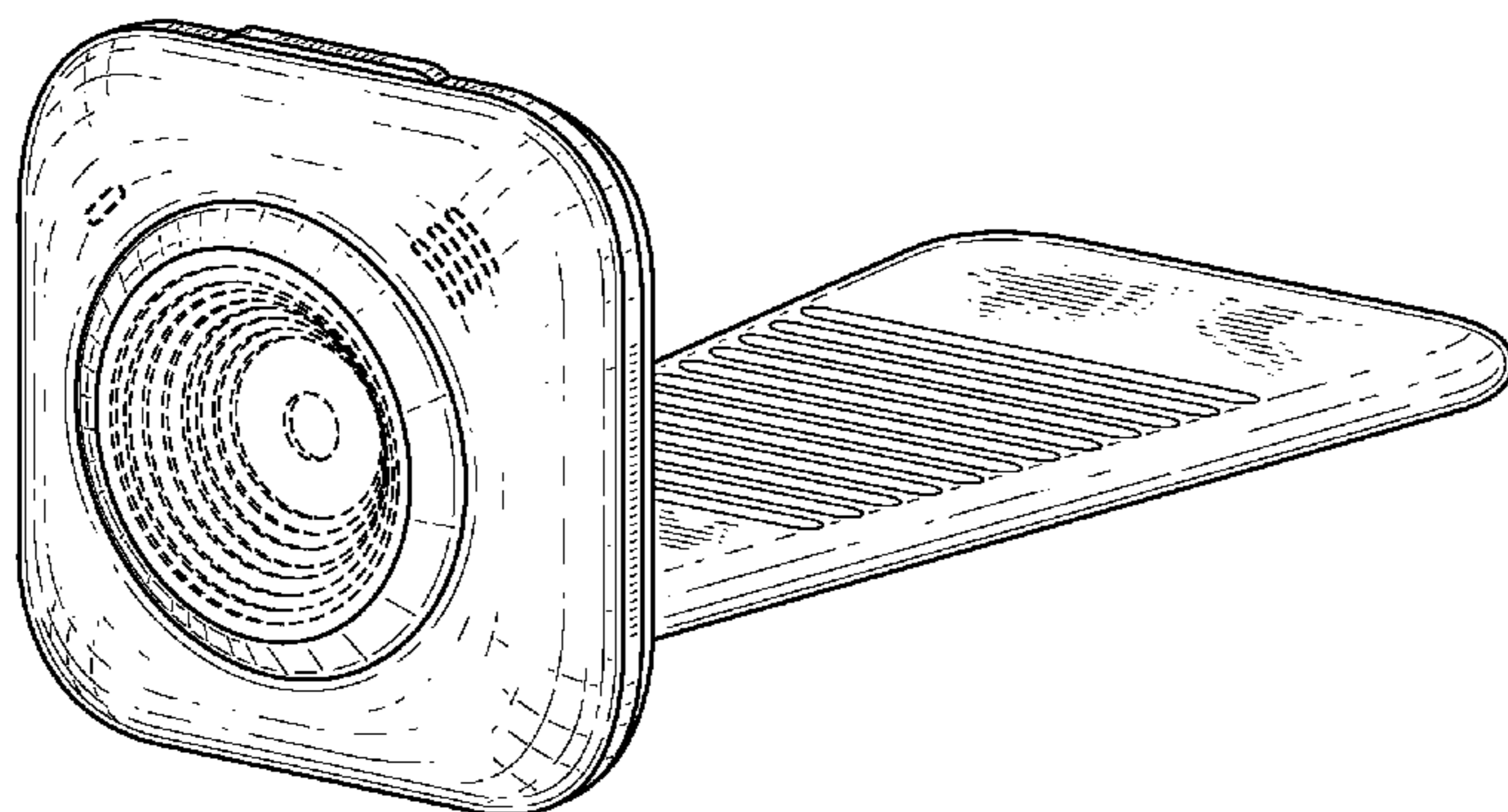
FIG. 14 is a bottom view thereof.

\* cited by examiner

The broken line showing of various regions in the figures, including the unshaded areas therein, is for illustrative purposes and forms no part of the claimed design.

*Primary Examiner*—Adir Aronovich

**1 Claim, 9 Drawing Sheets**



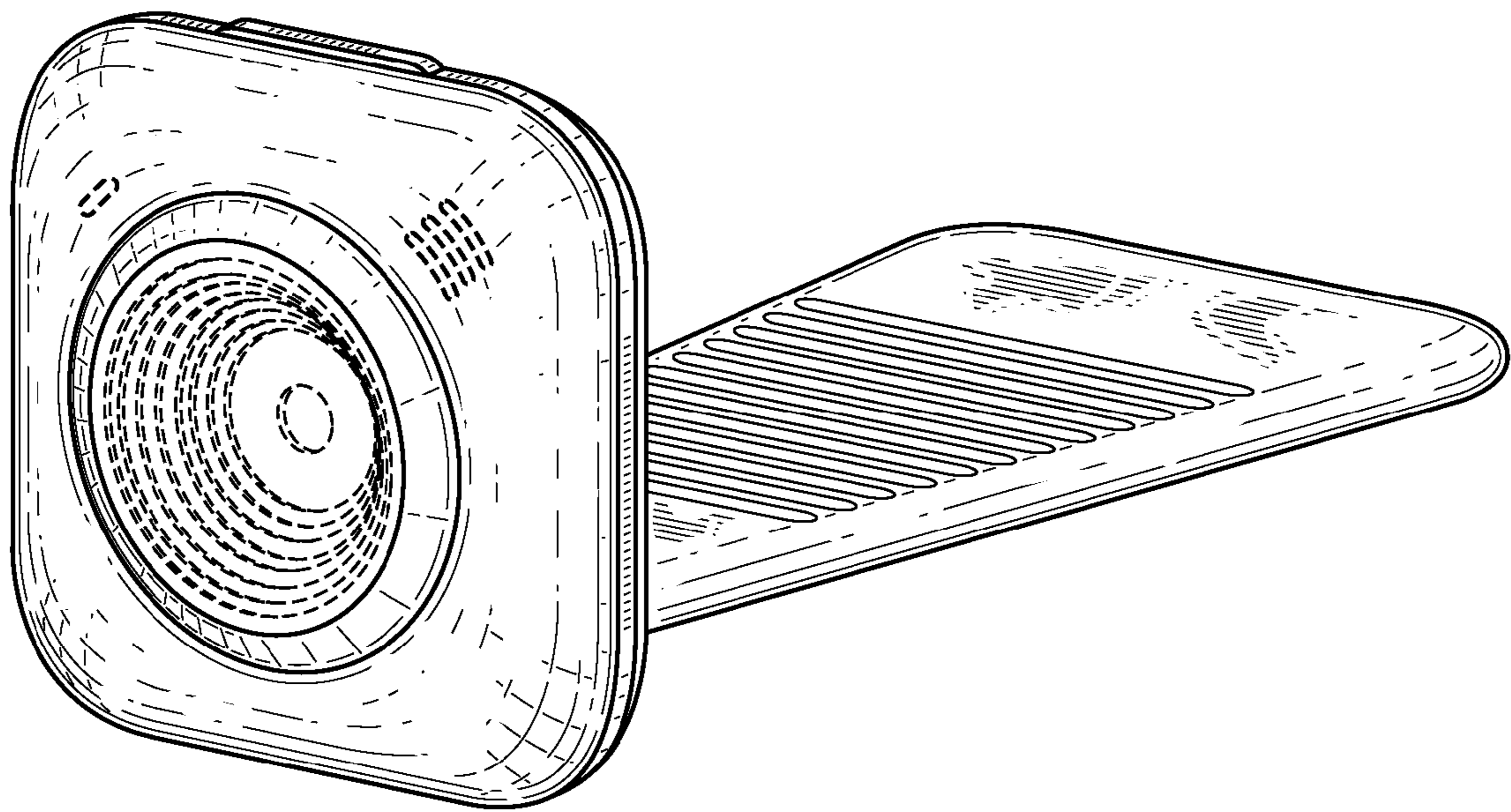


FIG. 1

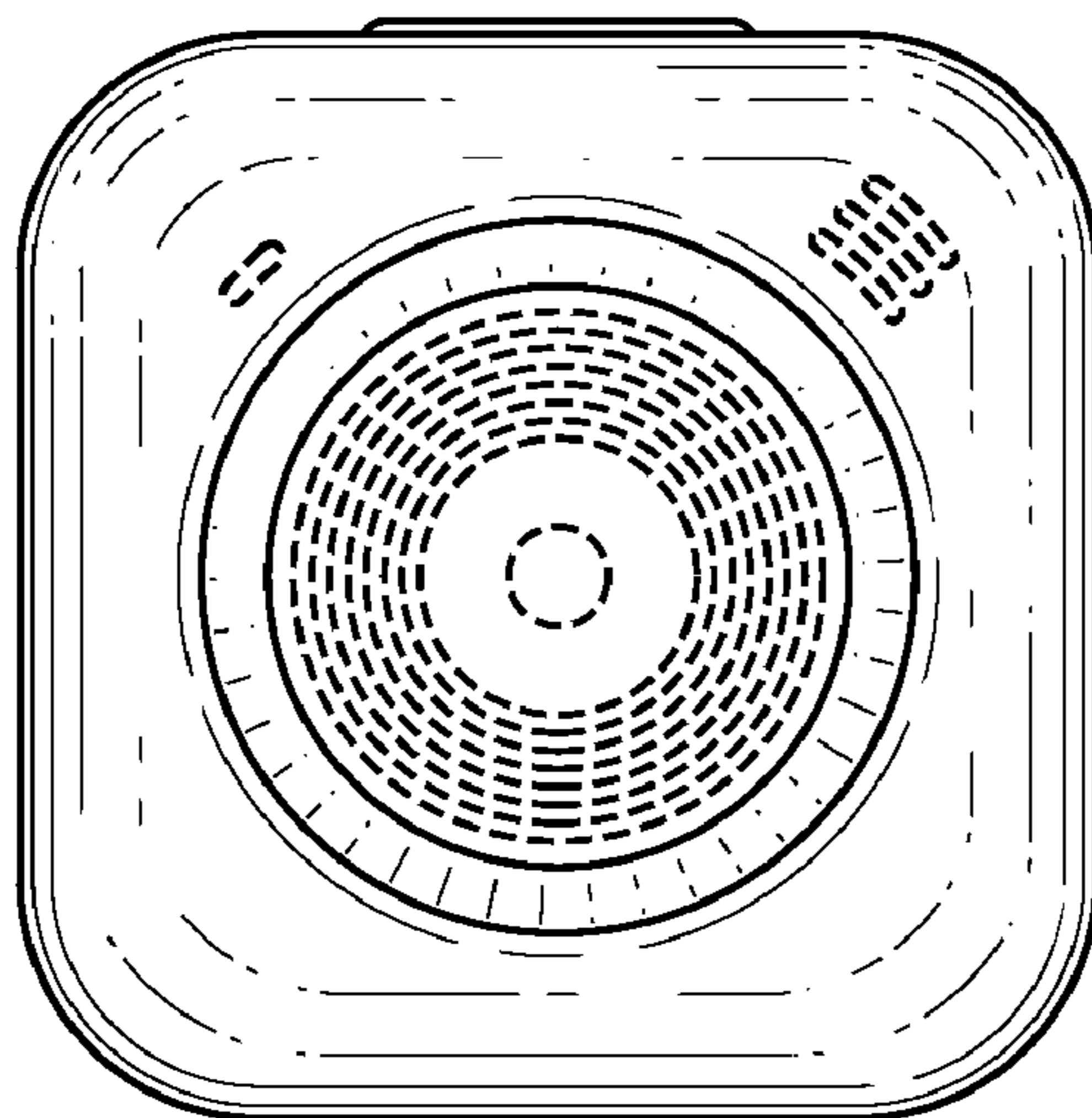


FIG. 2

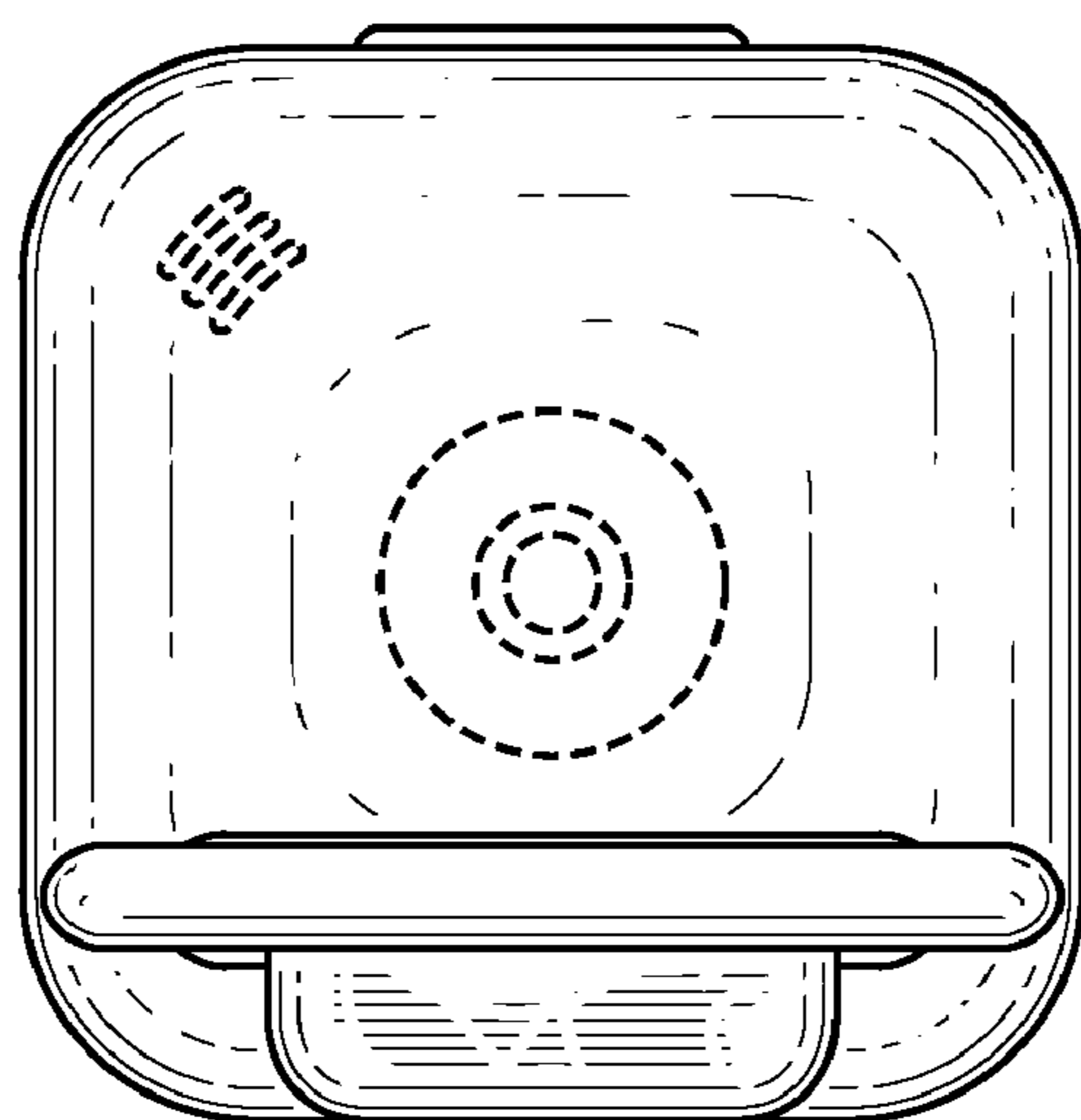


FIG. 3

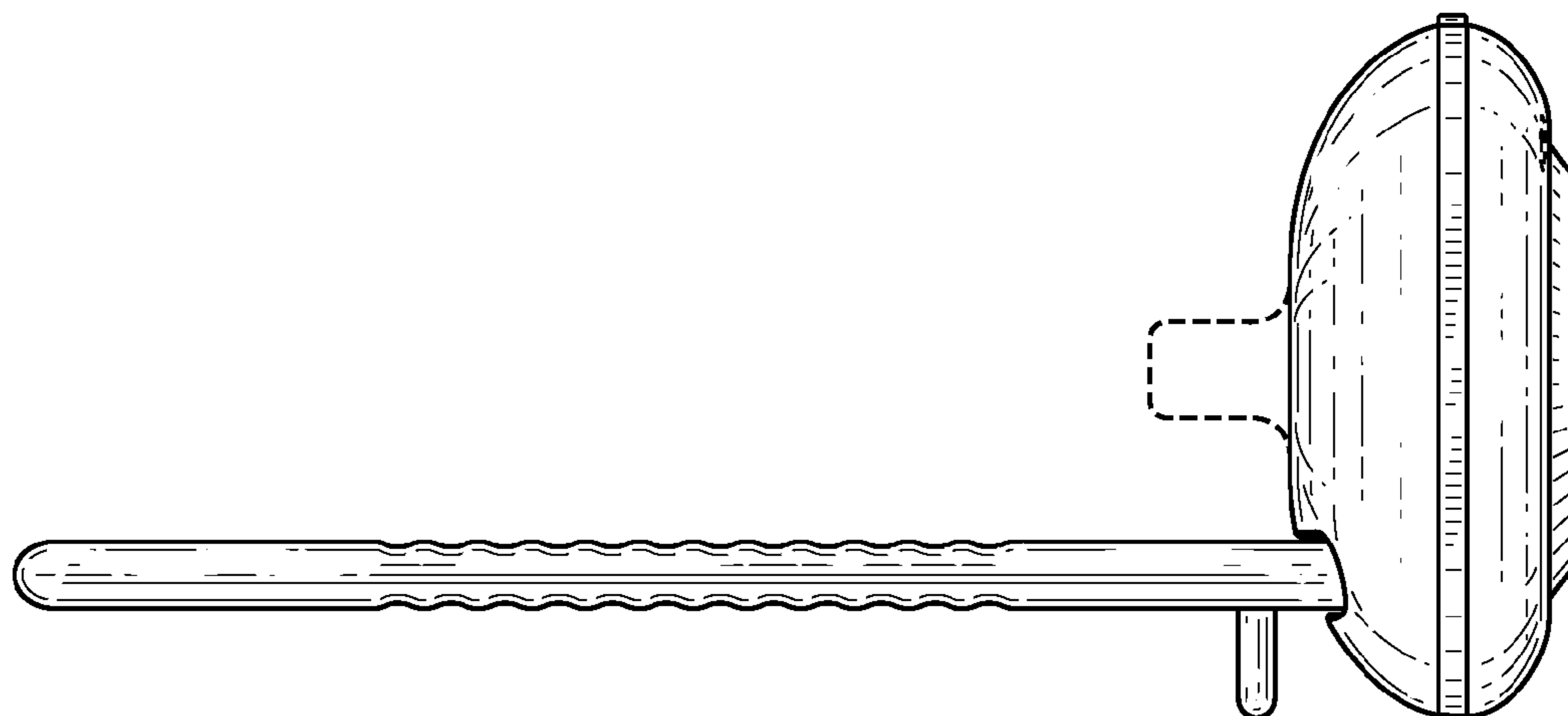


FIG. 4

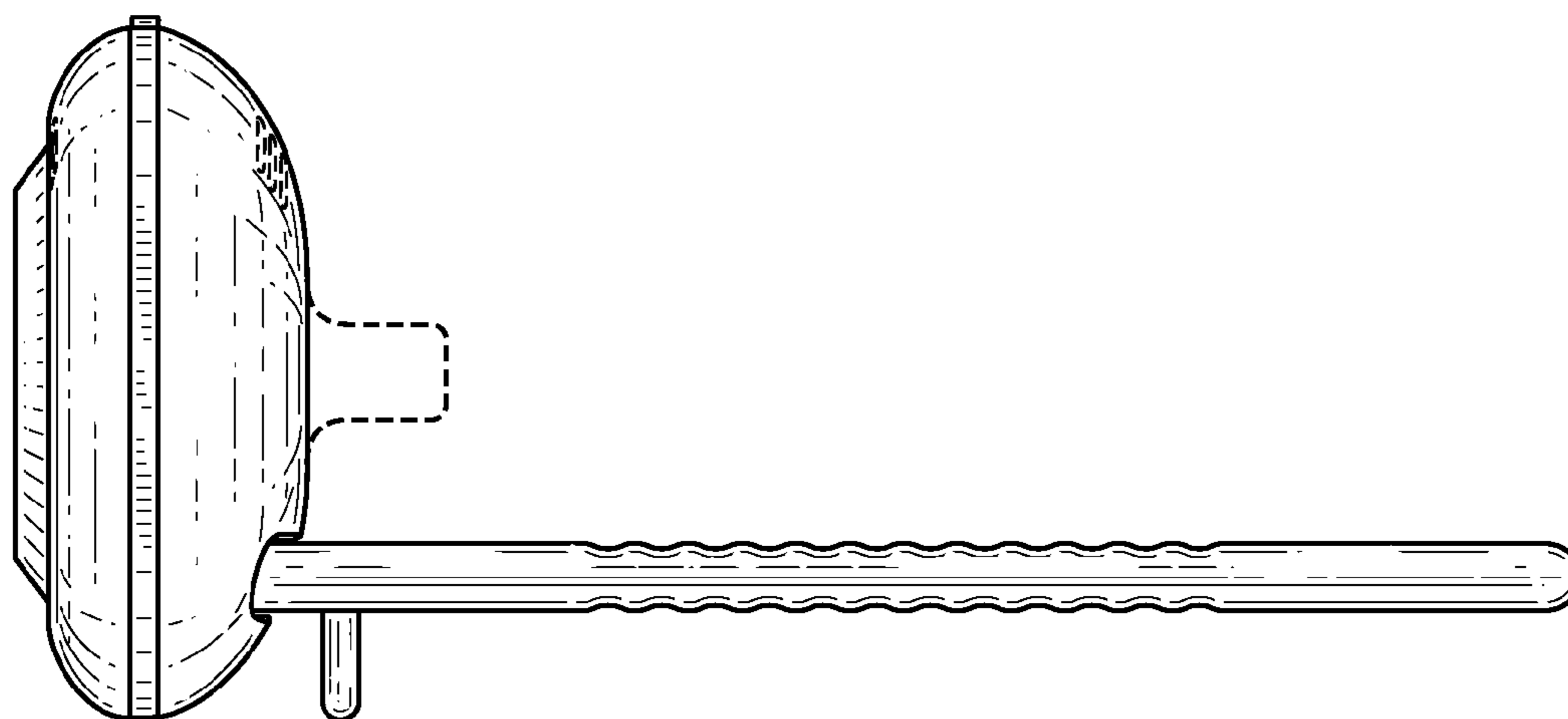


FIG. 5

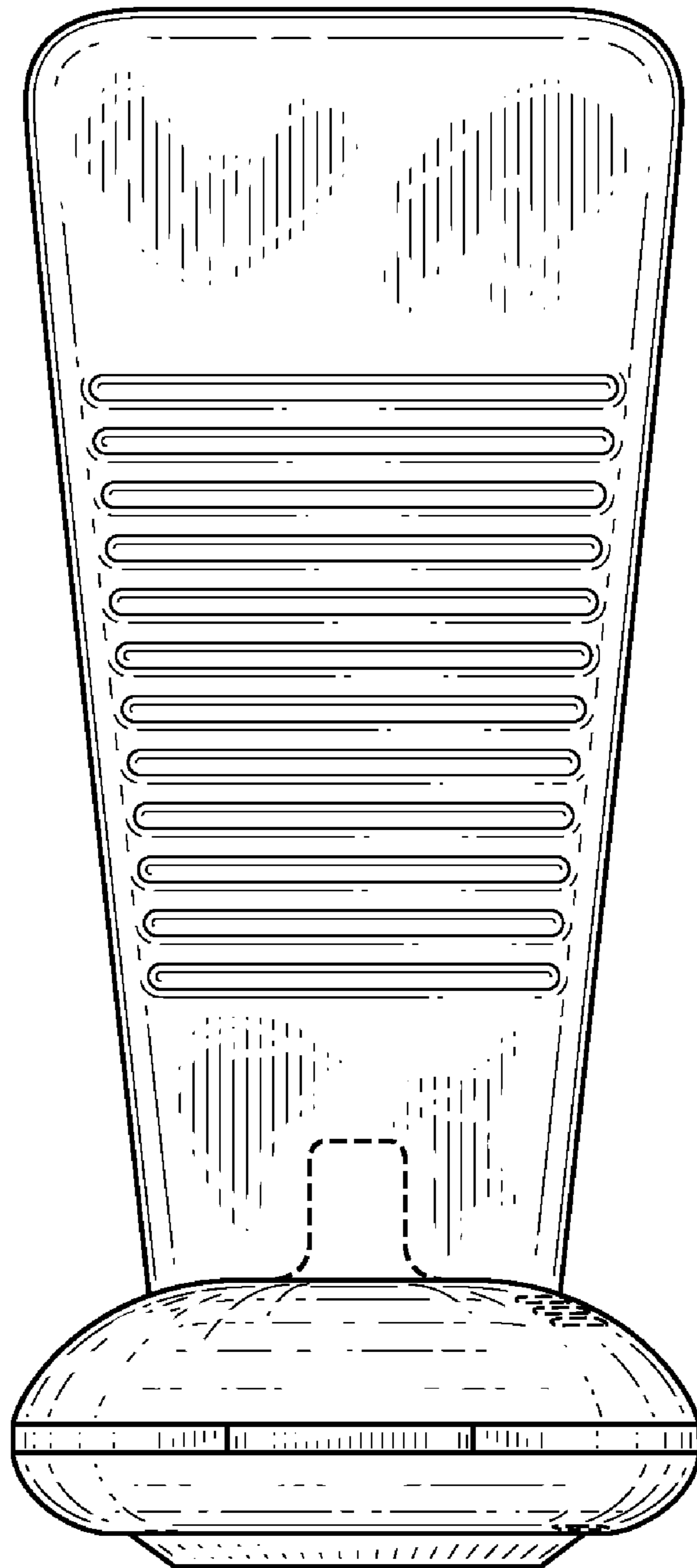


FIG. 6

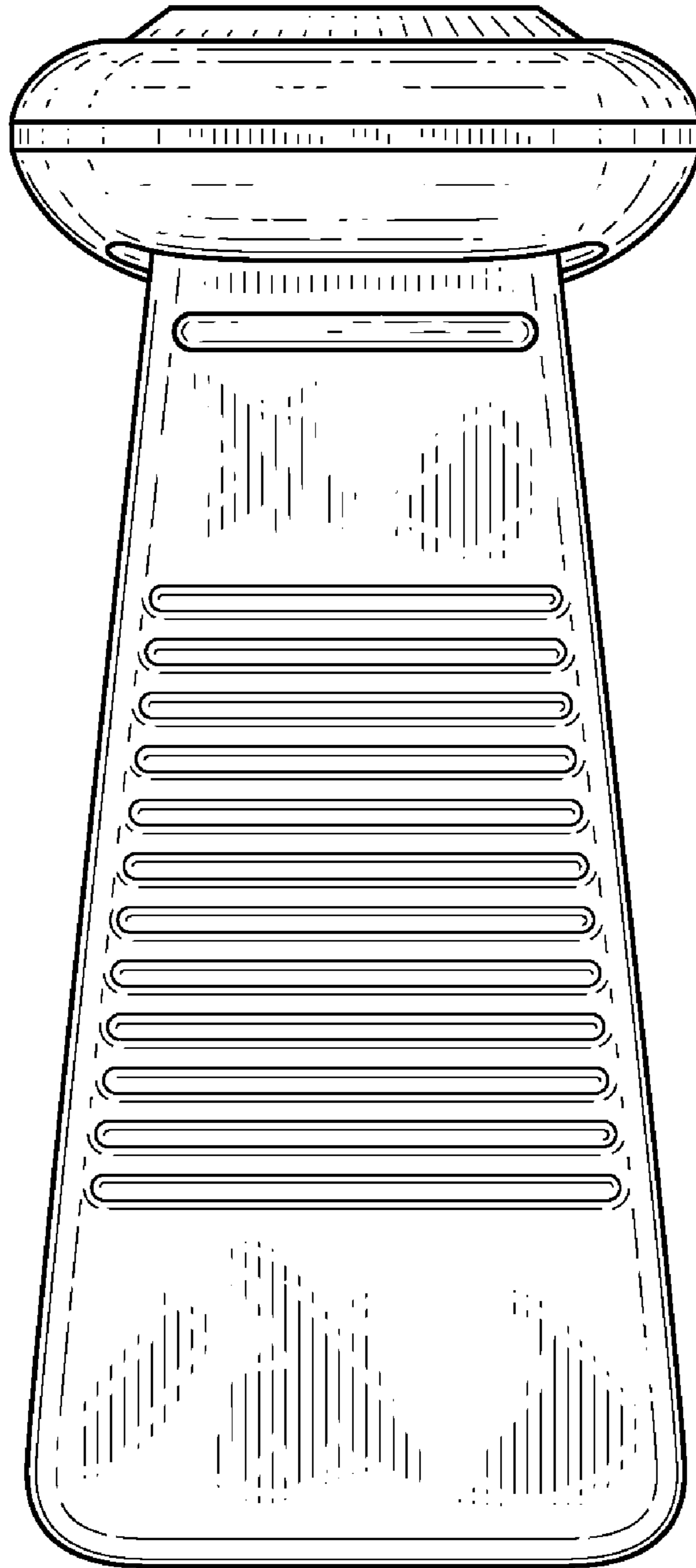


FIG. 7

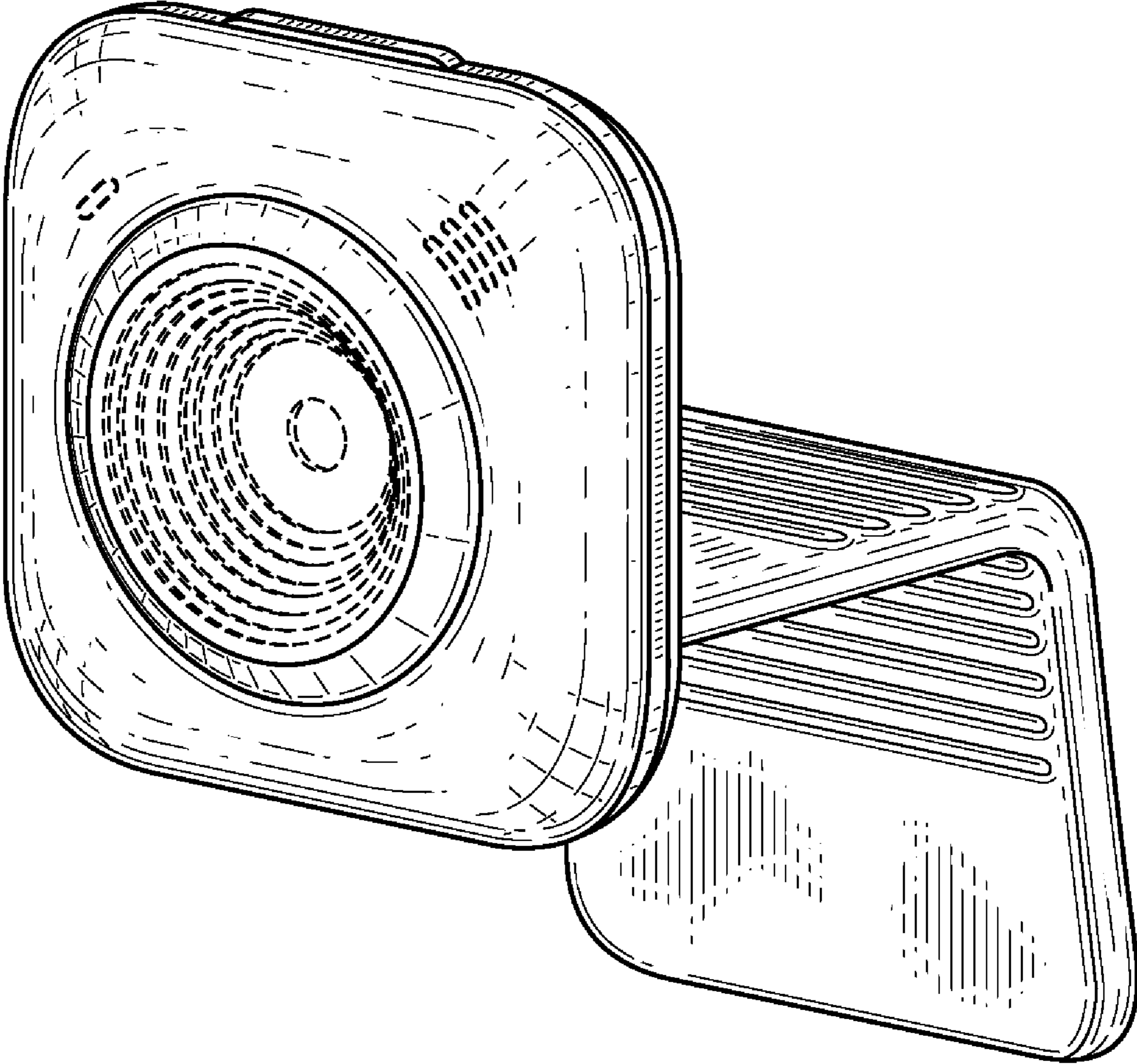


FIG. 8

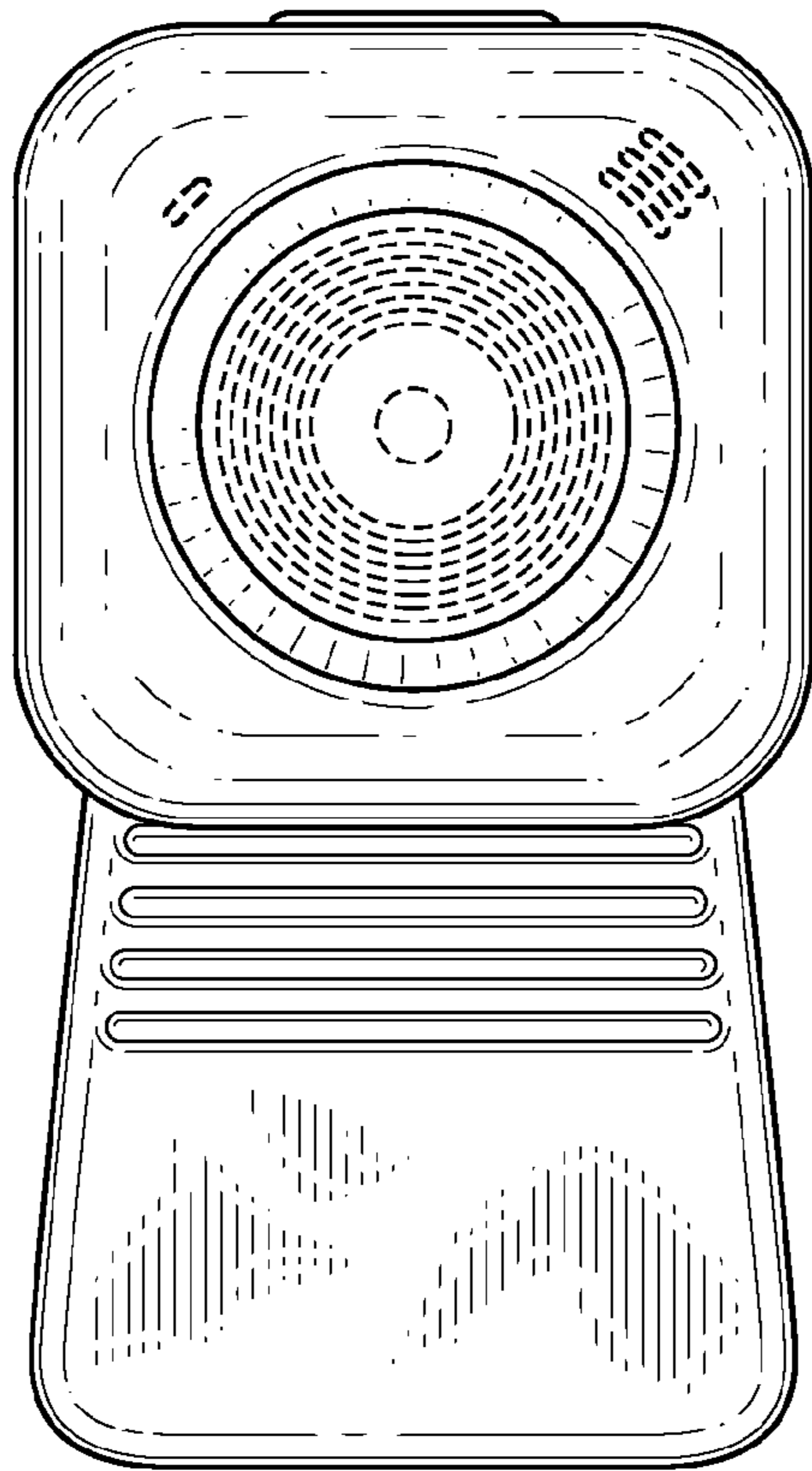


FIG. 9

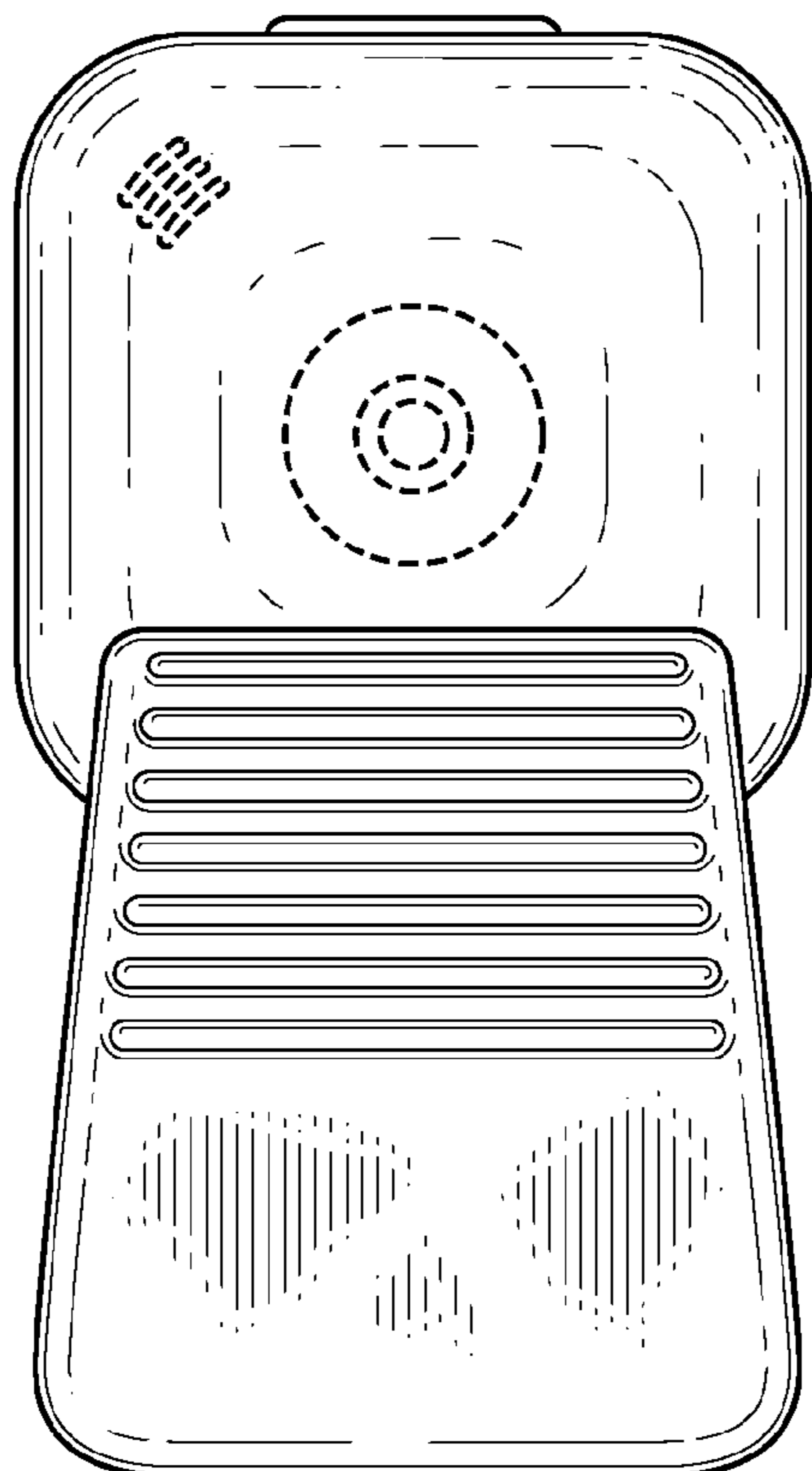


FIG. 10



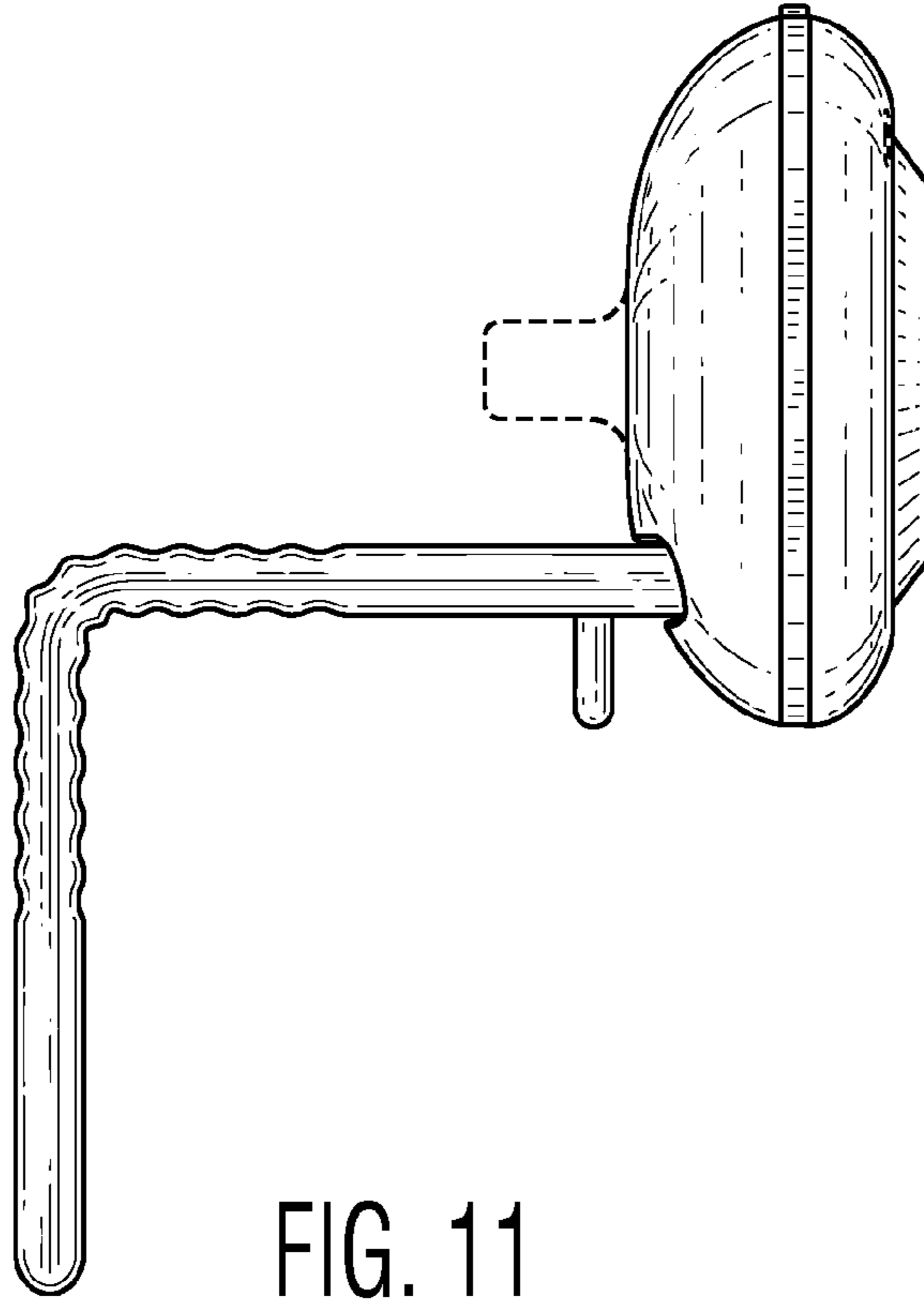


FIG. 11

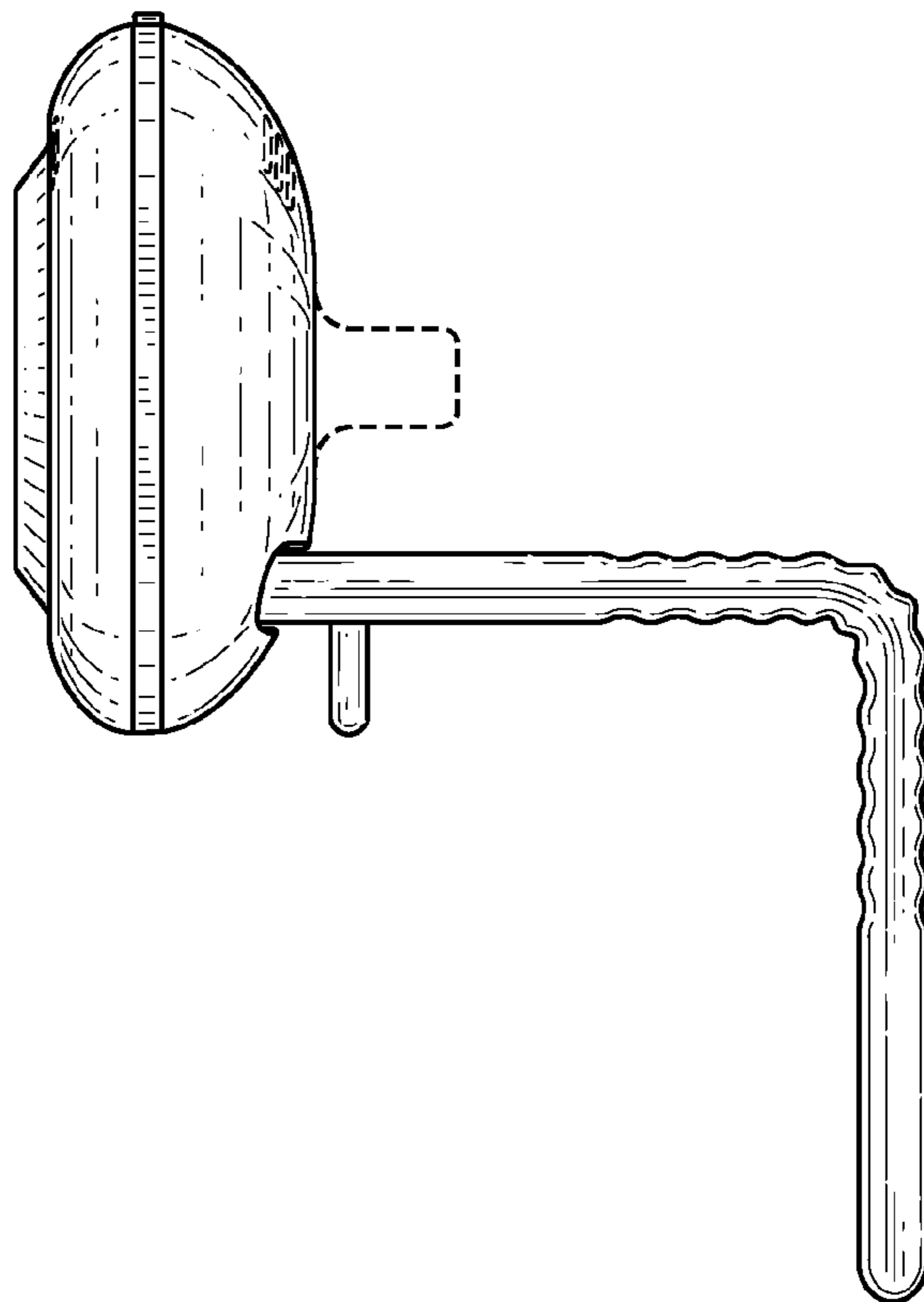


FIG. 12

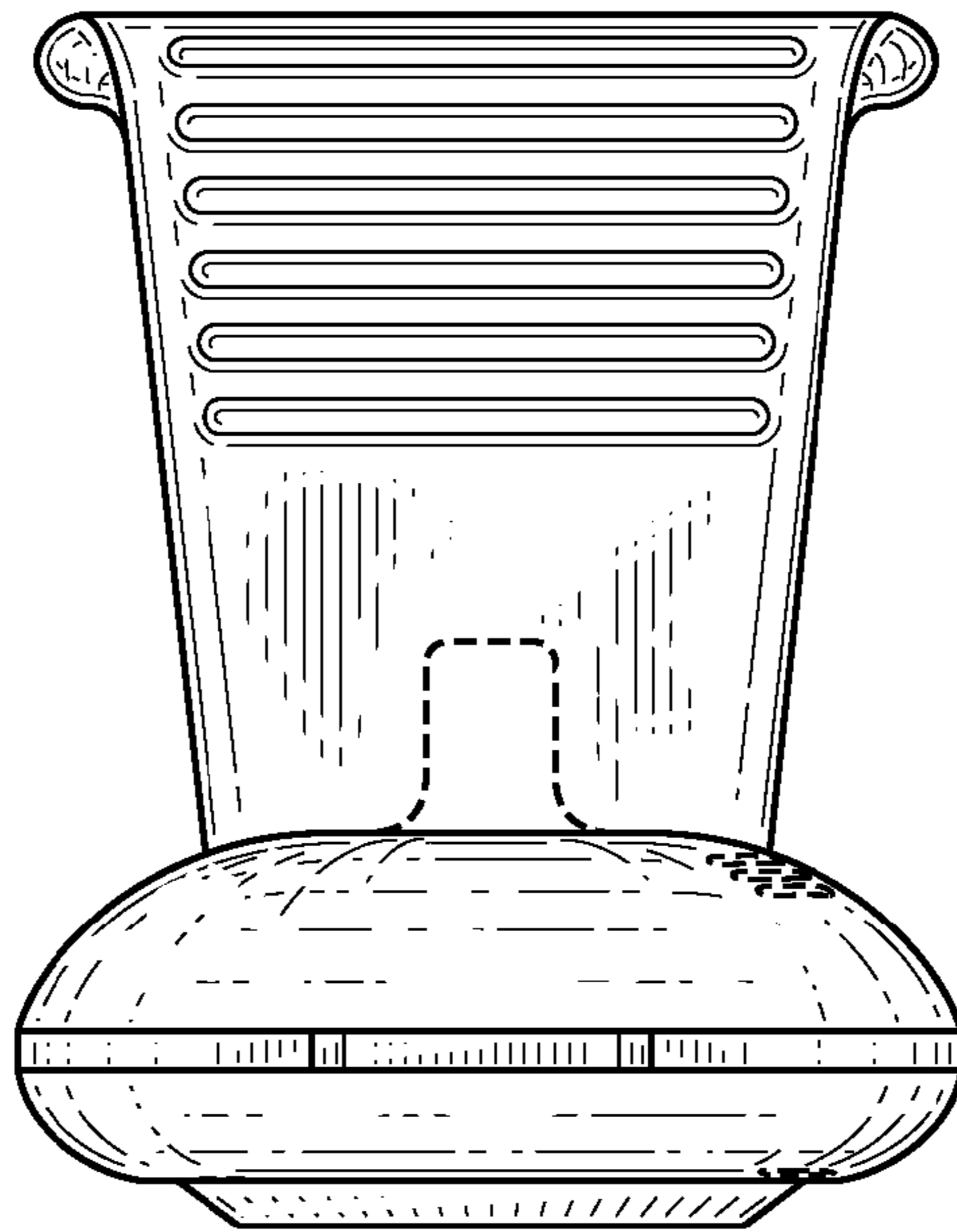


FIG. 13

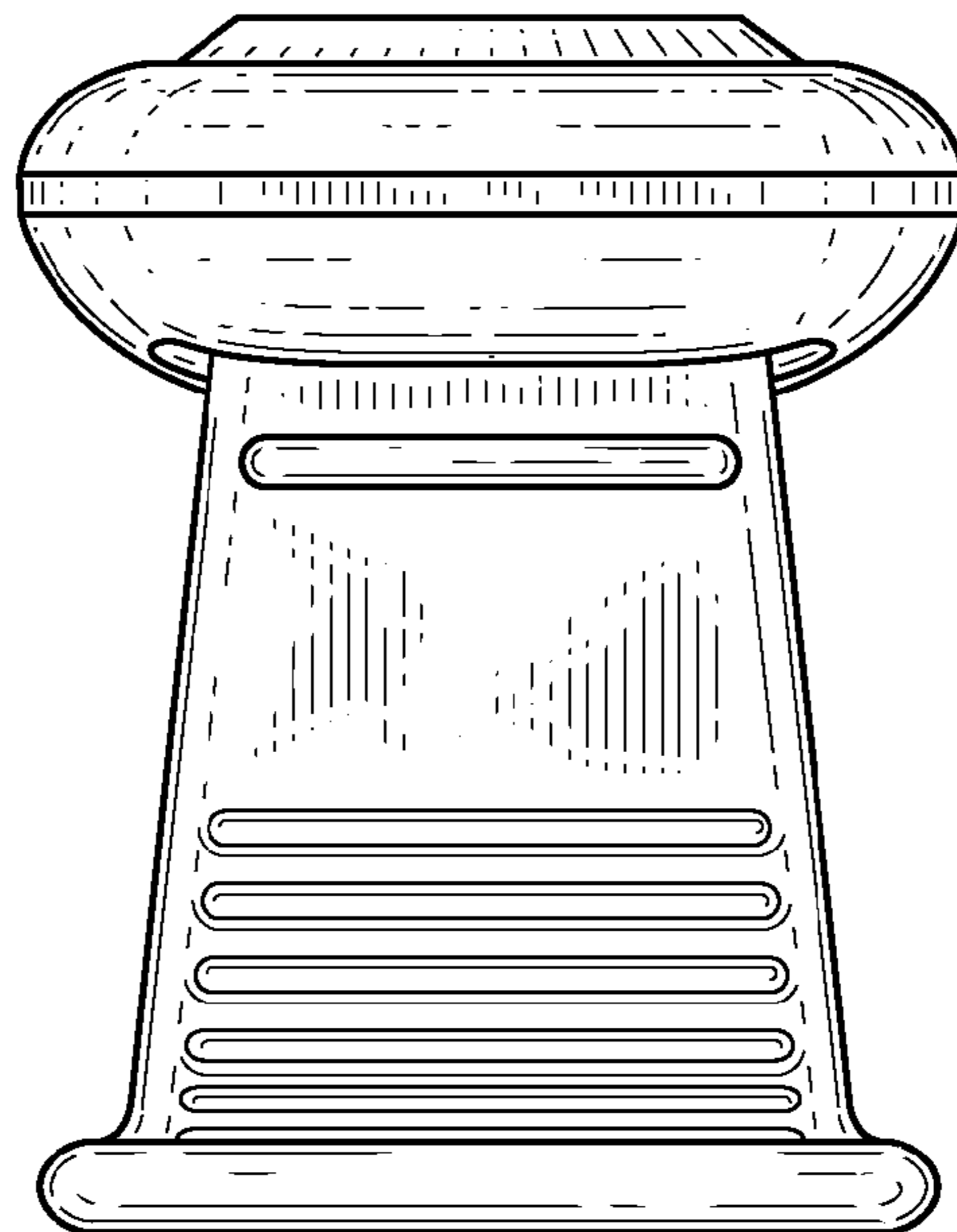


FIG. 14