

US00D606104S

(12) **United States Design Patent**  
**Sato**

(10) **Patent No.:** **US D606,104 S**

(45) **Date of Patent:** **\*\* Dec. 15, 2009**

(54) **ELECTRONIC CAMERA**

(75) Inventor: **Jun Sato**, Tokyo (JP)

(73) Assignee: **Fujifilm Corporation**, Tokyo (JP)

(\*\*) Term: **14 Years**

(21) Appl. No.: **29/326,870**

(22) Filed: **Oct. 27, 2008**

(30) **Foreign Application Priority Data**

May 9, 2008 (JP) ..... 2008-011601

(51) **LOC (9) Cl.** ..... **16-01**

(52) **U.S. Cl.** ..... **D16/202**

(58) **Field of Classification Search** ..... D16/200–204,  
D16/208, 218; 348/373–376; 358/909.1;  
396/535–541

See application file for complete search history.

(56) **References Cited**

**U.S. PATENT DOCUMENTS**

4,943,822 A \* 7/1990 von Brauhut ..... 396/535  
D407,098 S \* 3/1999 Goto et al. .... D16/202  
D418,851 S \* 1/2000 Goto et al. .... D16/202

D562,866 S \* 2/2008 Ishikawa et al. .... D16/202  
D597,116 S \* 7/2009 Watanabe ..... D16/202  
2007/0212062 A1 \* 9/2007 Saiki et al. .... 396/535

\* cited by examiner

*Primary Examiner*—Adir Aronovich

(74) *Attorney, Agent, or Firm*—Young & Thompson

(57) **CLAIM**

The ornamental design for an electronic camera, as shown and described.

**DESCRIPTION**

FIG. 1 is a top front and left side perspective view of an electronic camera showing my new design;

FIG. 2 is a front elevational view thereof;

FIG. 3 is a rear elevational view thereof;

FIG. 4 is a top plan view thereof;

FIG. 5 is a bottom plan view thereof;

FIG. 6 is a left side elevational view thereof;

FIG. 7 is a right side elevational view thereof; and,

FIG. 8 is a top plan view thereof with a lens barrel projected.

**1 Claim, 4 Drawing Sheets**

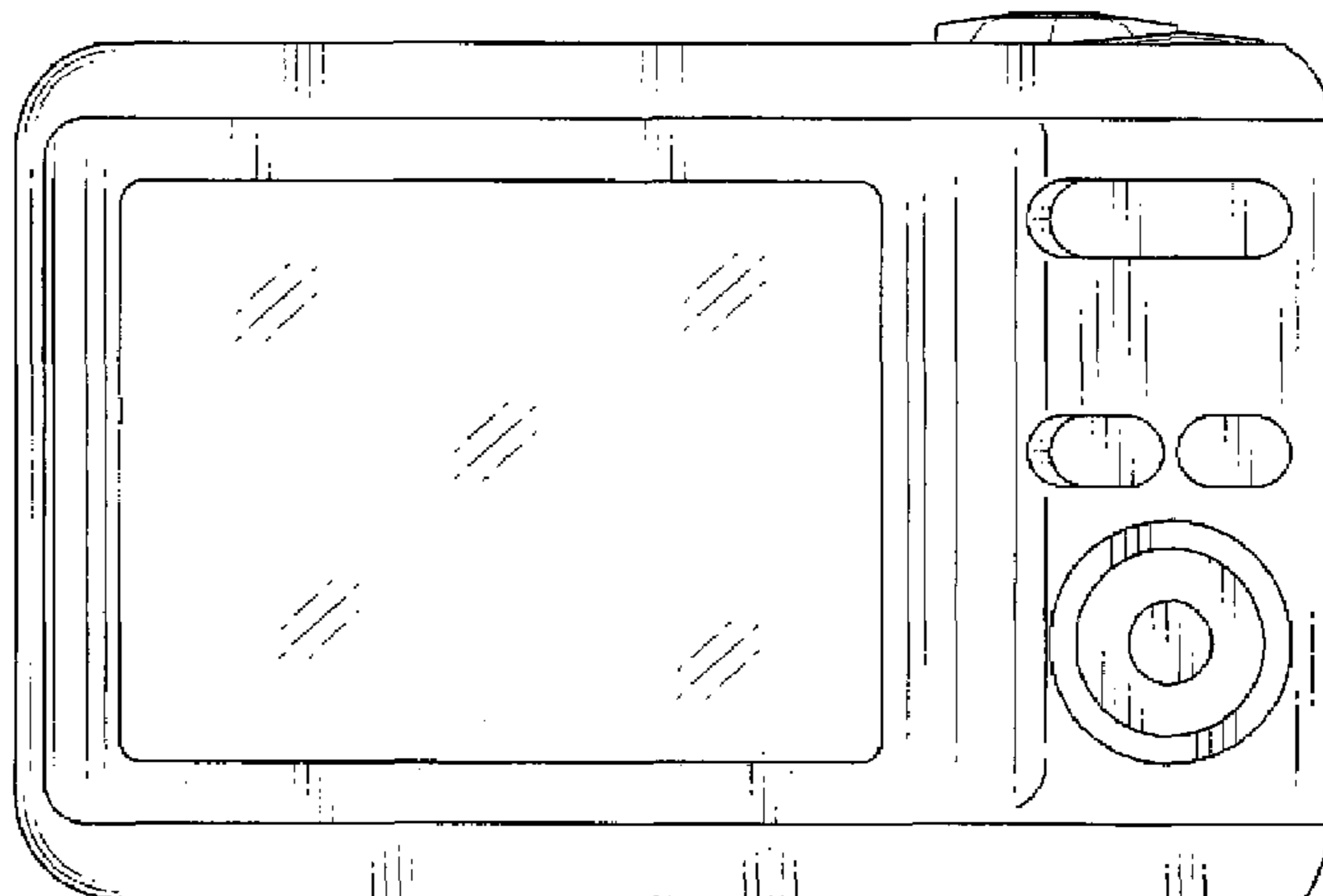
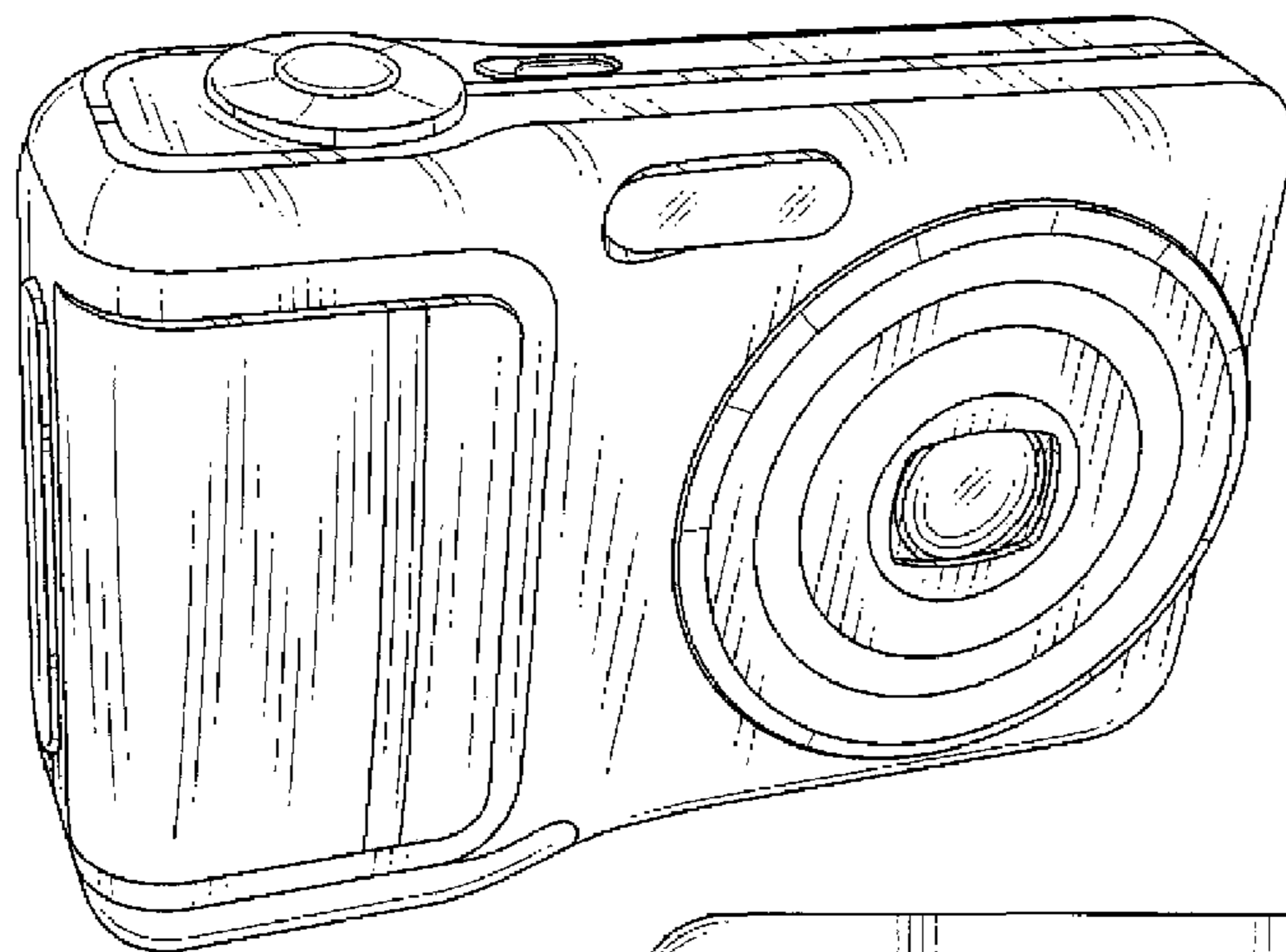


FIG.1

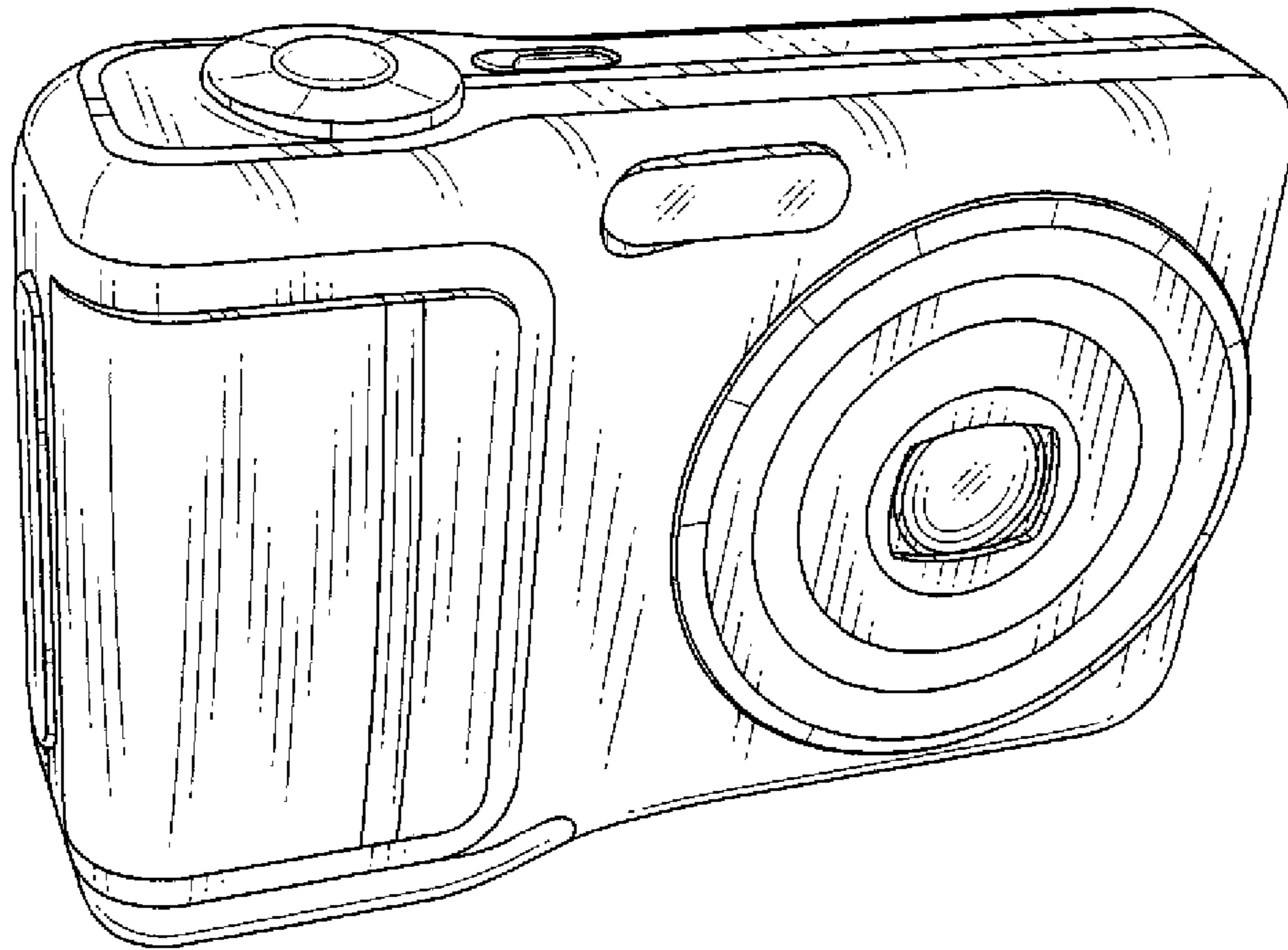


FIG.2

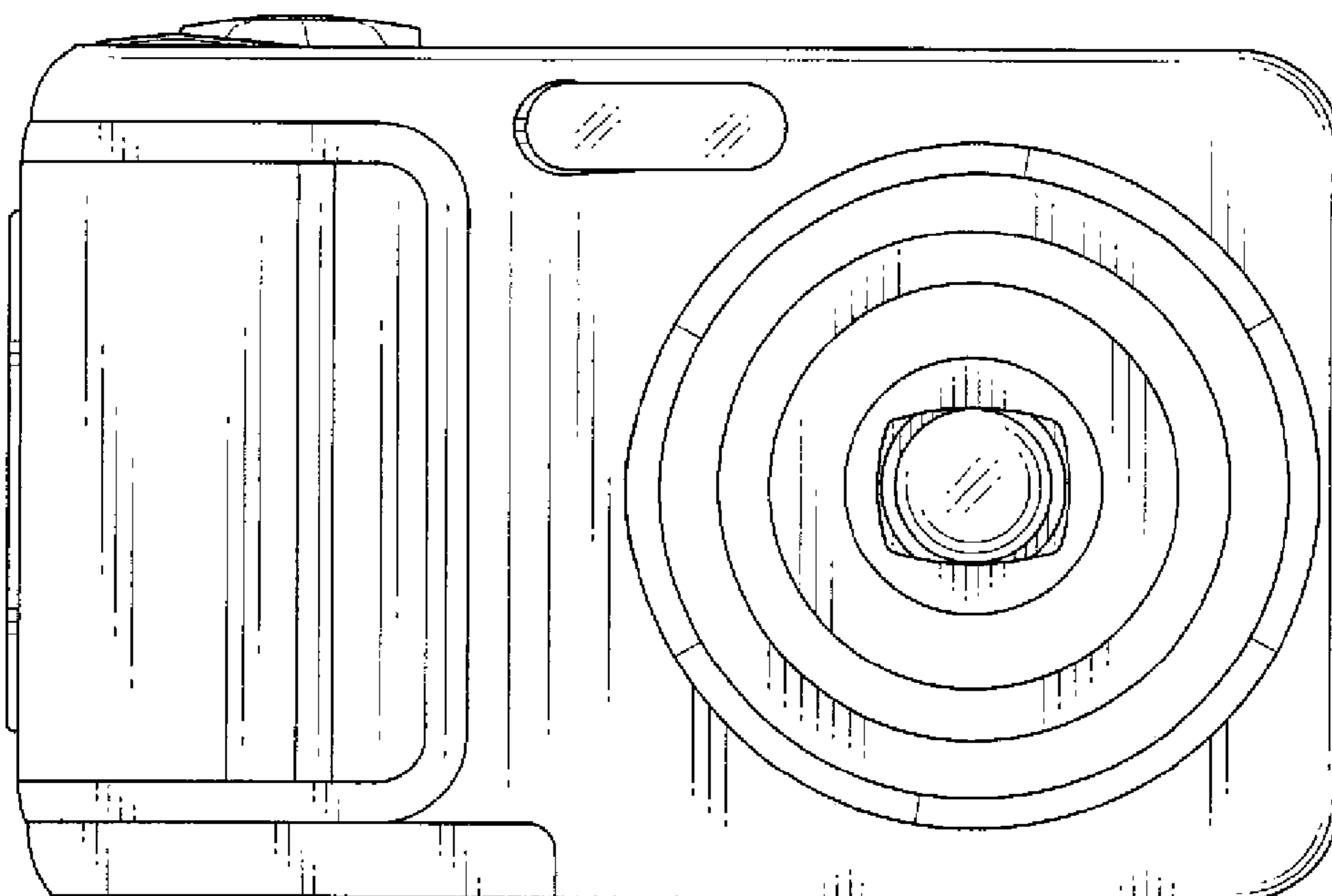


FIG.3

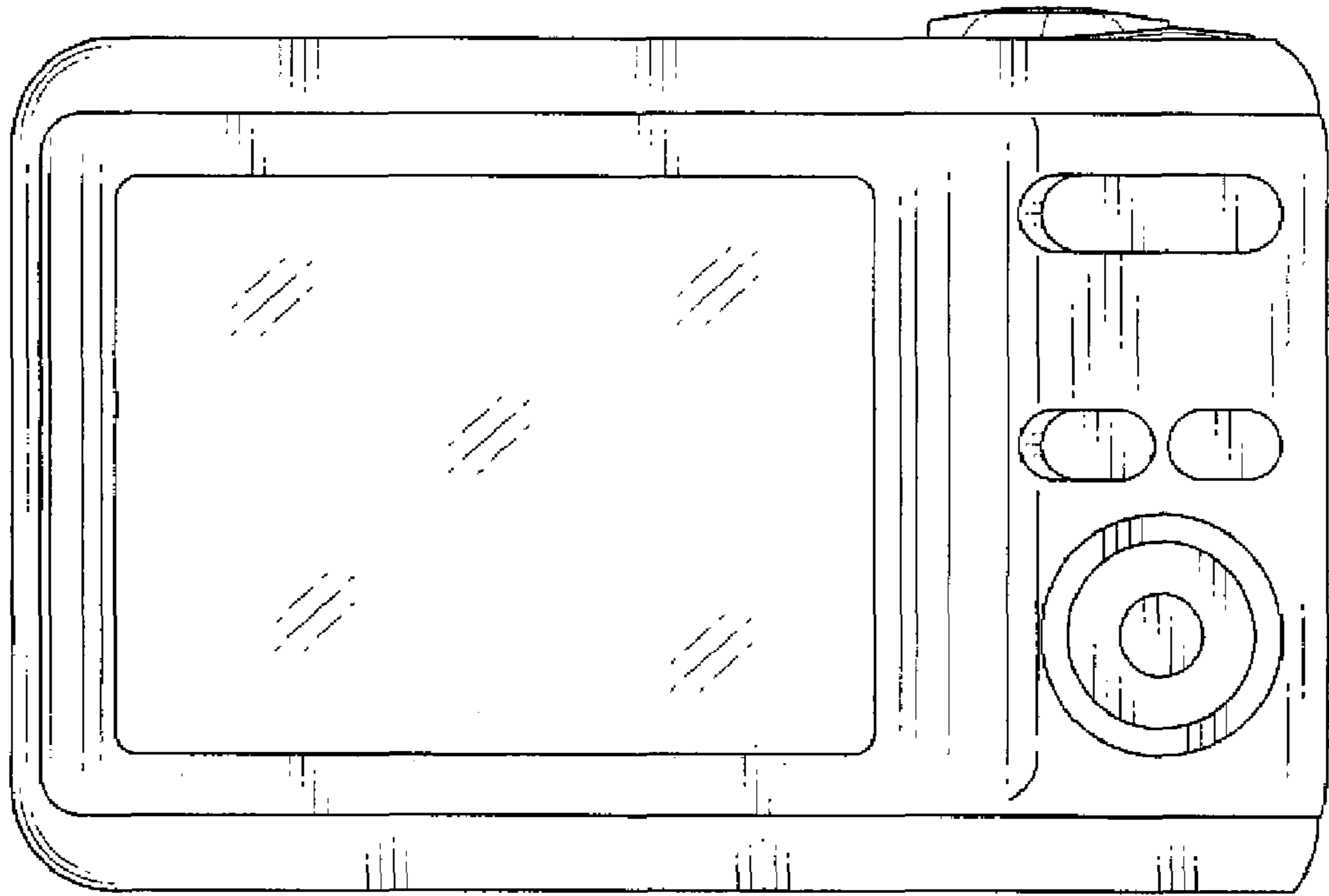


FIG.4

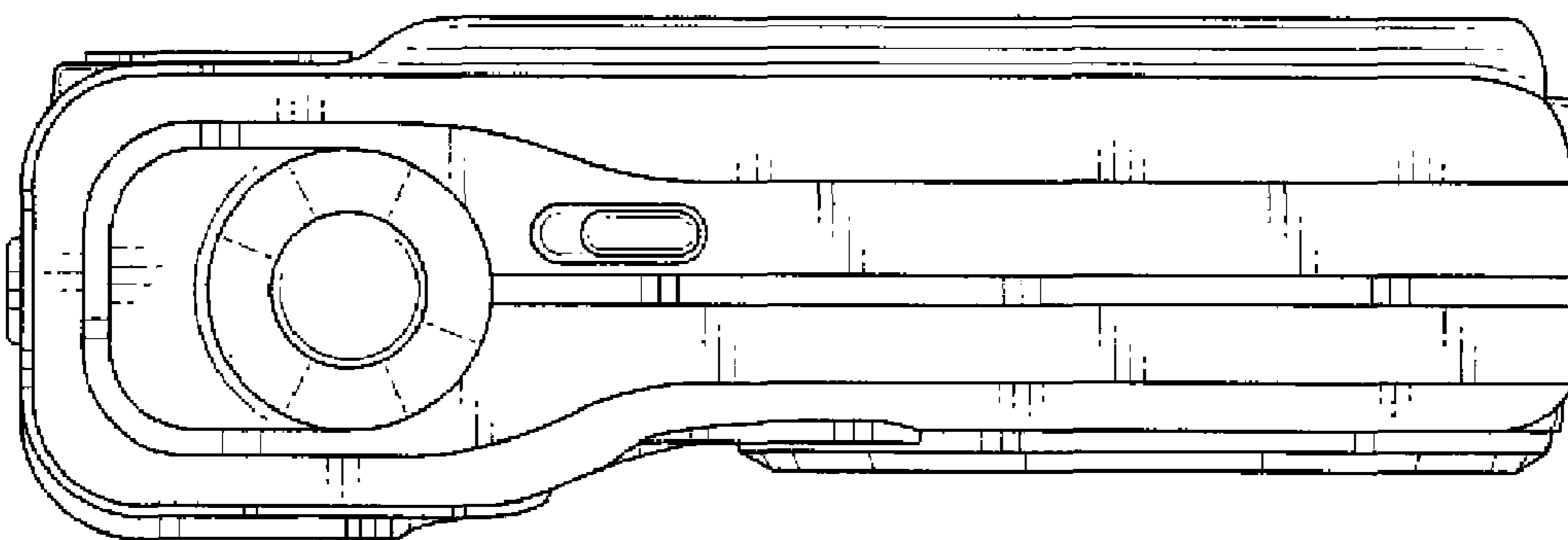


FIG.5

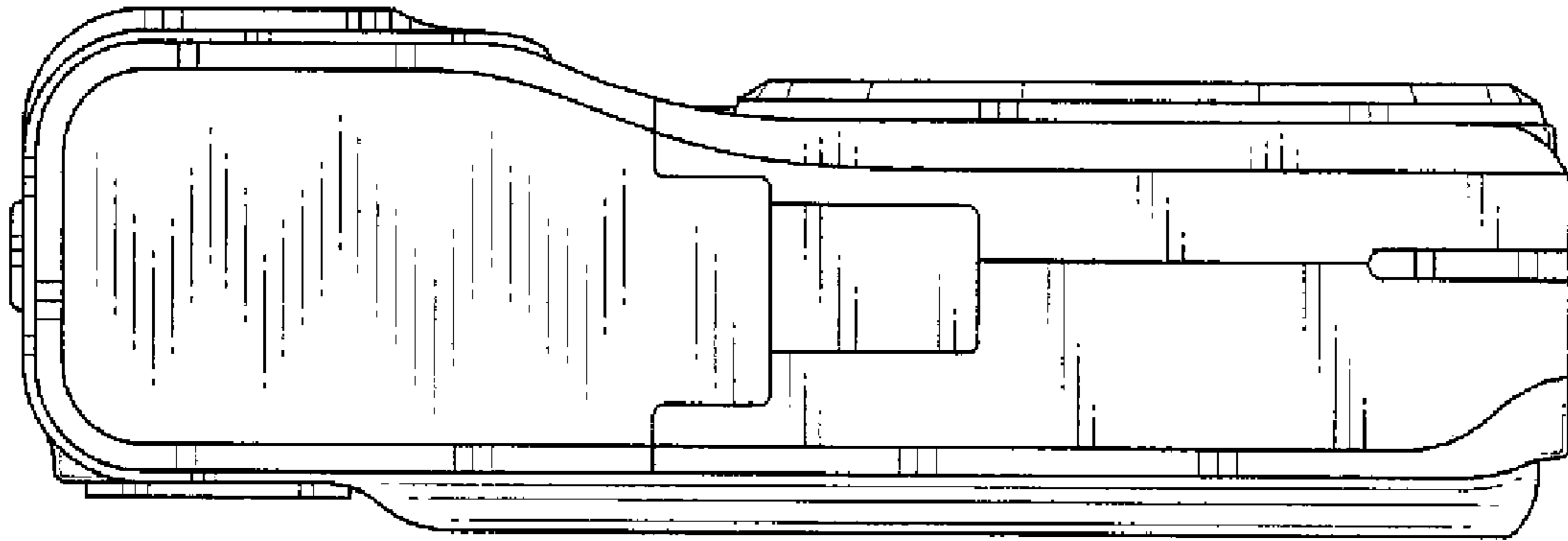


FIG.6

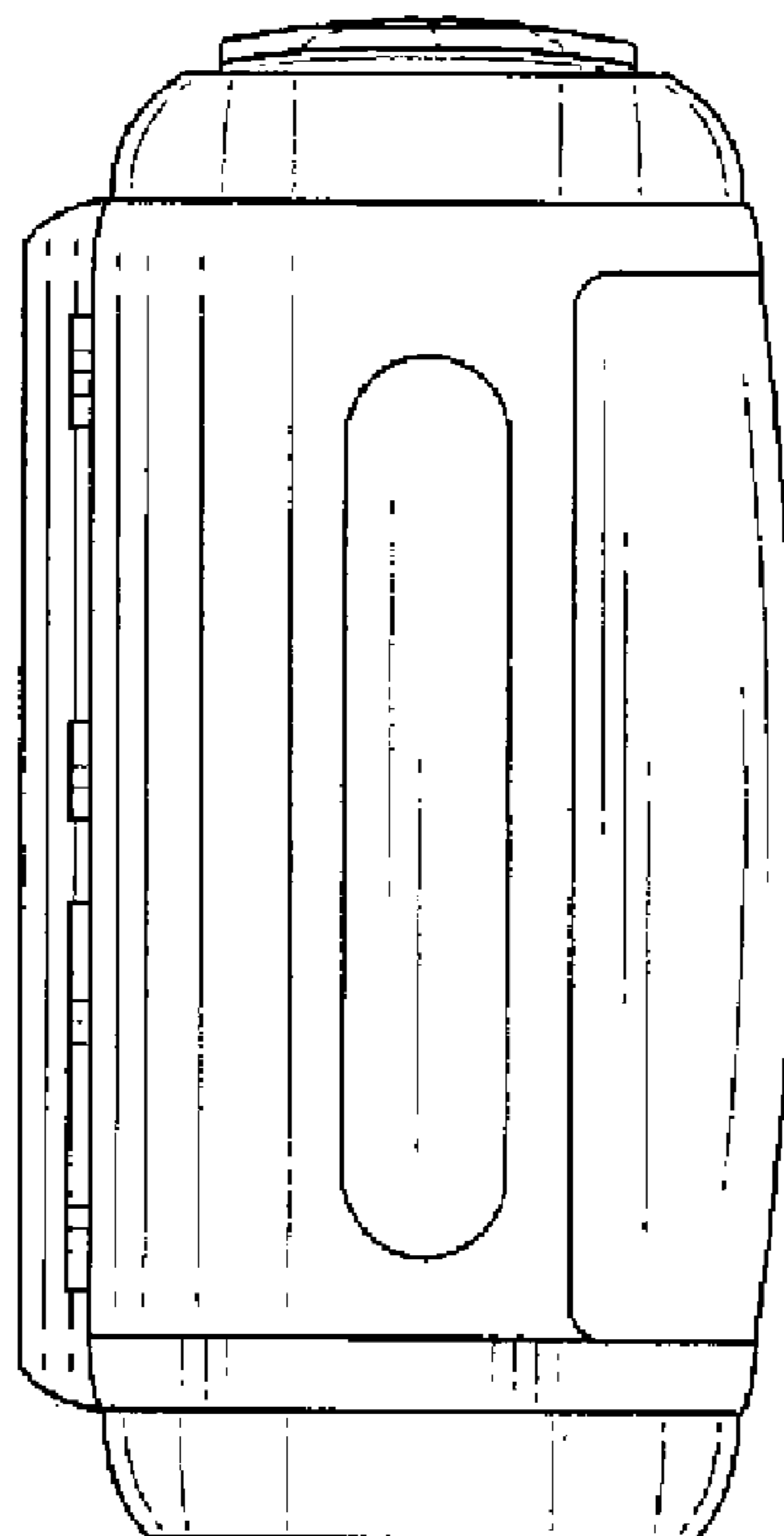


FIG.7



FIG.8

