



US00D606103S

(12) **United States Design Patent**  
**Ogura**

(10) **Patent No.:** **US D606,103 S**

(45) **Date of Patent:** **\*\* Dec. 15, 2009**

(54) **ELECTRONIC CAMERA**

(75) Inventor: **Ryosuke Ogura**, Tokyo (JP)

(73) Assignee: **Fujifilm Corporation**, Tokyo (JP)

(\*\*) Term: **14 Years**

(21) Appl. No.: **29/290,259**

(22) Filed: **Nov. 13, 2007**

(30) **Foreign Application Priority Data**

May 11, 2007 (JP) ..... 2007-012417

(51) **LOC (9) Cl.** ..... **16-01**

(52) **U.S. Cl.** ..... **D16/202**

(58) **Field of Classification Search** ..... D16/200–204,  
D16/208, 218; 348/373–376; 358/909.1;  
396/535–541

See application file for complete search history.

(56) **References Cited**

**U.S. PATENT DOCUMENTS**

D512,450 S *	12/2005	Jinde	.....	D16/202
D548,255 S *	8/2007	Naito	.....	D16/202
D556,806 S *	12/2007	Horikiri et al.	.....	D16/202
D561,221 S *	2/2008	Ogura et al.	.....	D16/202
D567,836 S *	4/2008	Sato	.....	D16/202
D568,362 S *	5/2008	Horikiri et al.	.....	D16/202
D570,889 S *	6/2008	Nakajima	.....	D16/202
2004/0169772 A1 *	9/2004	Matsui et al.	.....	348/375

\* cited by examiner

*Primary Examiner*—Adir Aronovich

(74) *Attorney, Agent, or Firm*—Young & Thompson

(57) **CLAIM**

The ornamental design for an electronic camera, as shown and described.

**DESCRIPTION**

FIG. 1 is a top, front and right side perspective view of an electronic camera showing my new design;

FIG. 2 is a top, rear and left side perspective view thereof;

FIG. 3 is a top, front and right side perspective view thereof with a lens barrier closed;

FIG. 4 is a front elevational view with the lens barrier opened;

FIG. 5 is a rear elevational view thereof;

FIG. 6 is a top plan view thereof;

FIG. 7 is a bottom plan view thereof;

FIG. 8 is a left side elevational view thereof;

FIG. 9 is a right side elevational view thereof;

FIG. 10 is a front elevational view thereof with the lens barrier closed;

FIG. 11 is top plan view thereof with the lens barrier closed;

FIG. 12 is a bottom plan view thereof with the lens barrier closed;

FIG. 13 is a left side elevational view thereof with the lens barrier closed; and,

FIG. 14 is a right side elevational view thereof with the lens barrier closed.

**1 Claim, 12 Drawing Sheets**

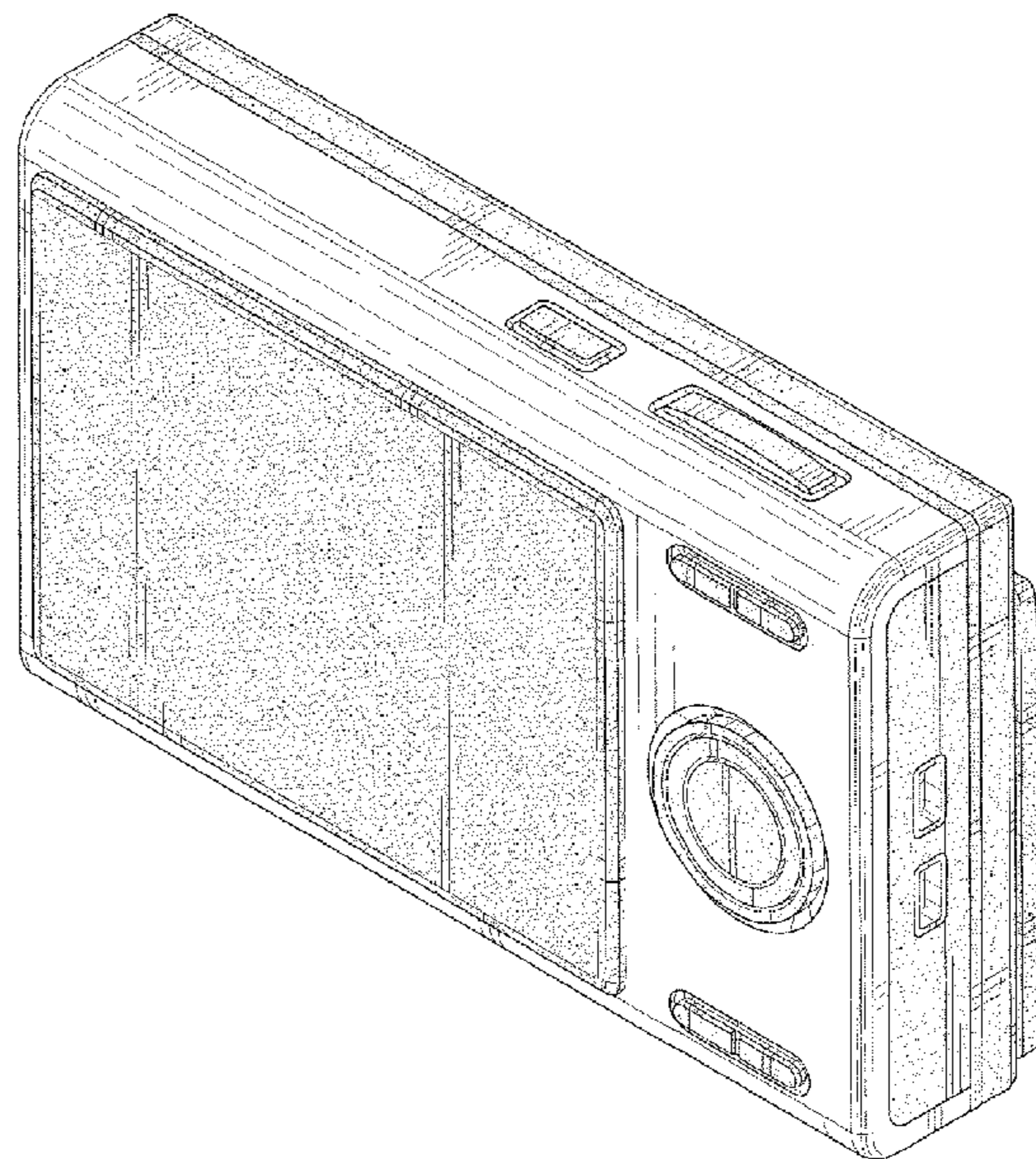
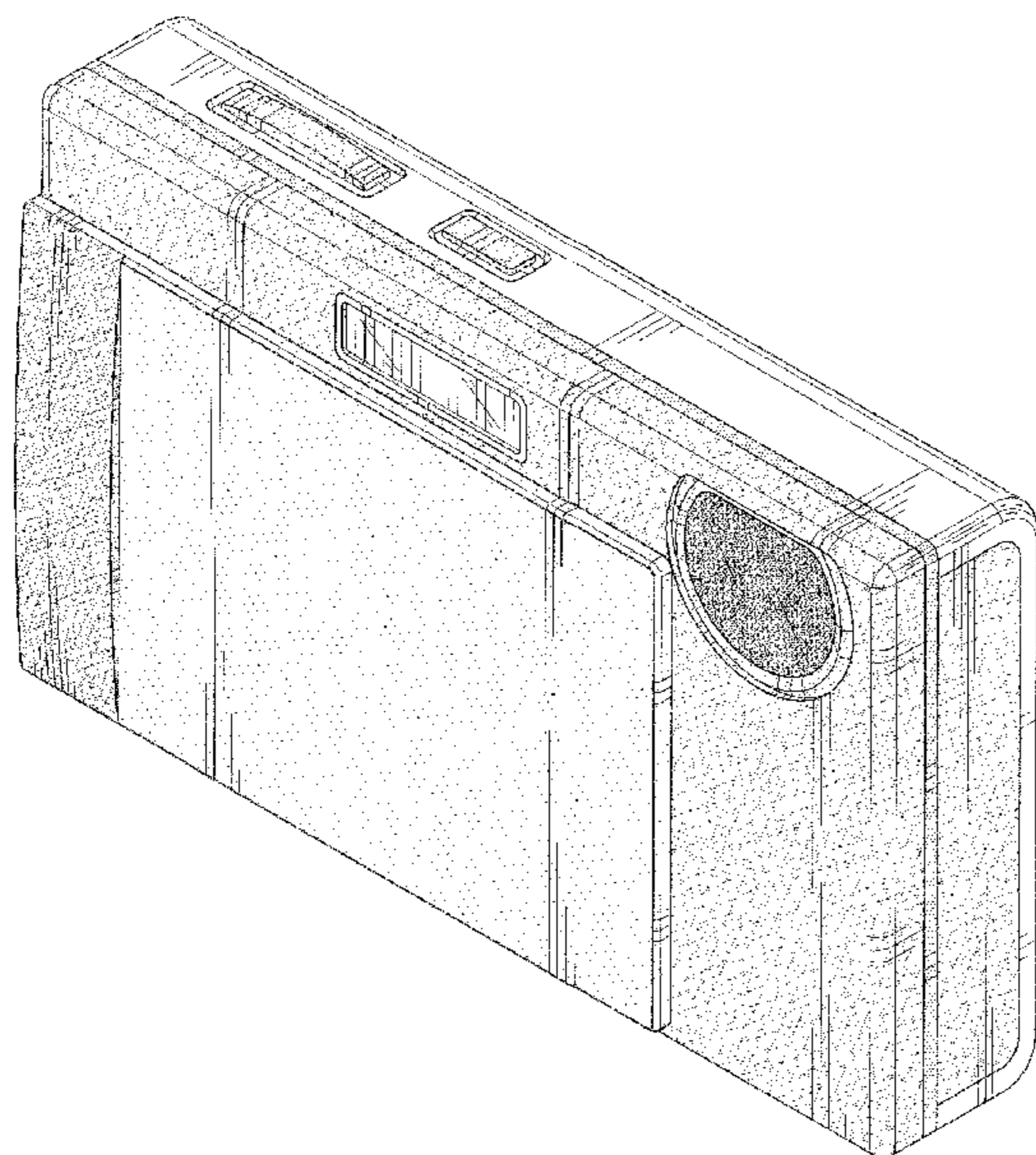




FIG. 1

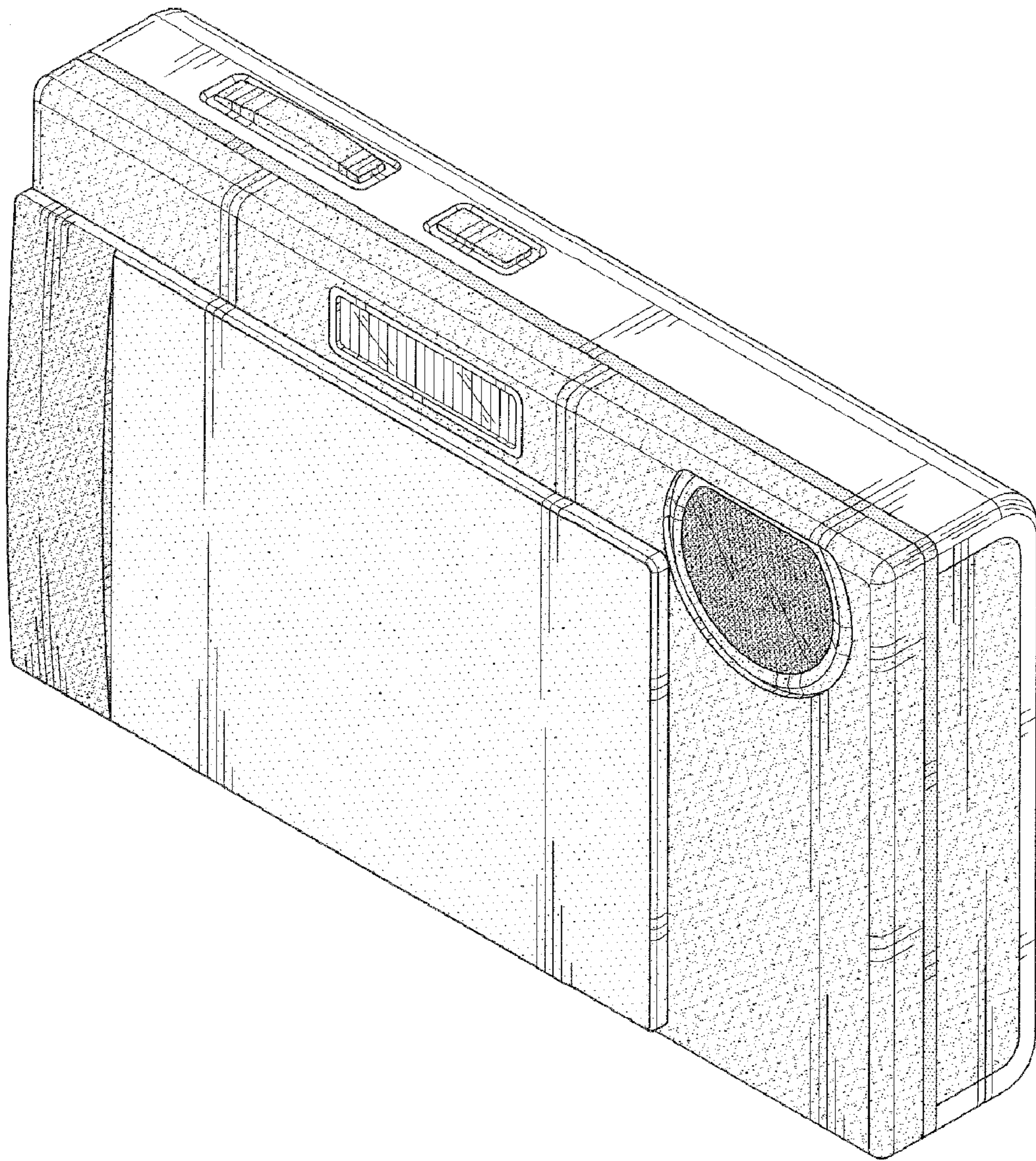


FIG.2

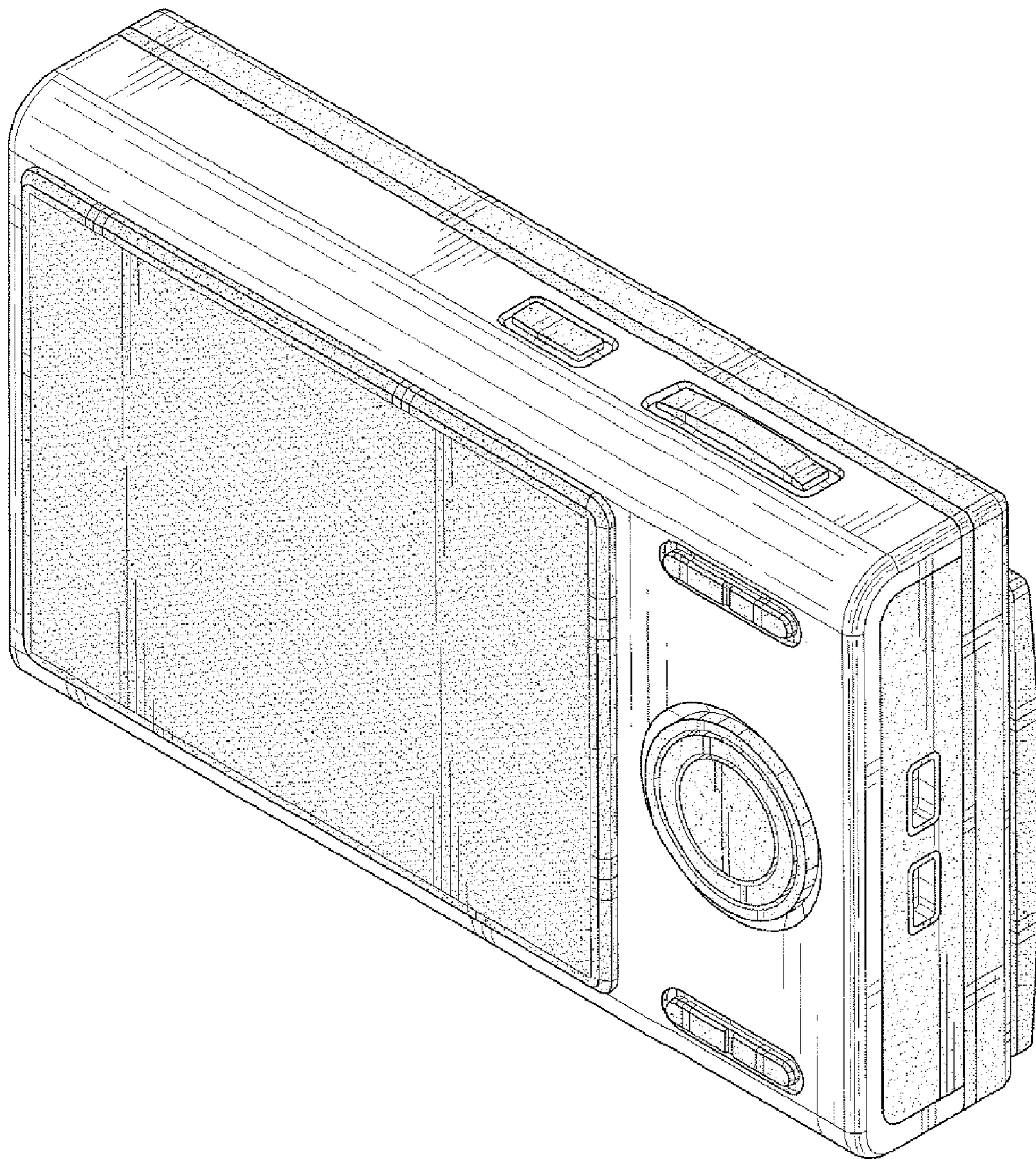




FIG. 3

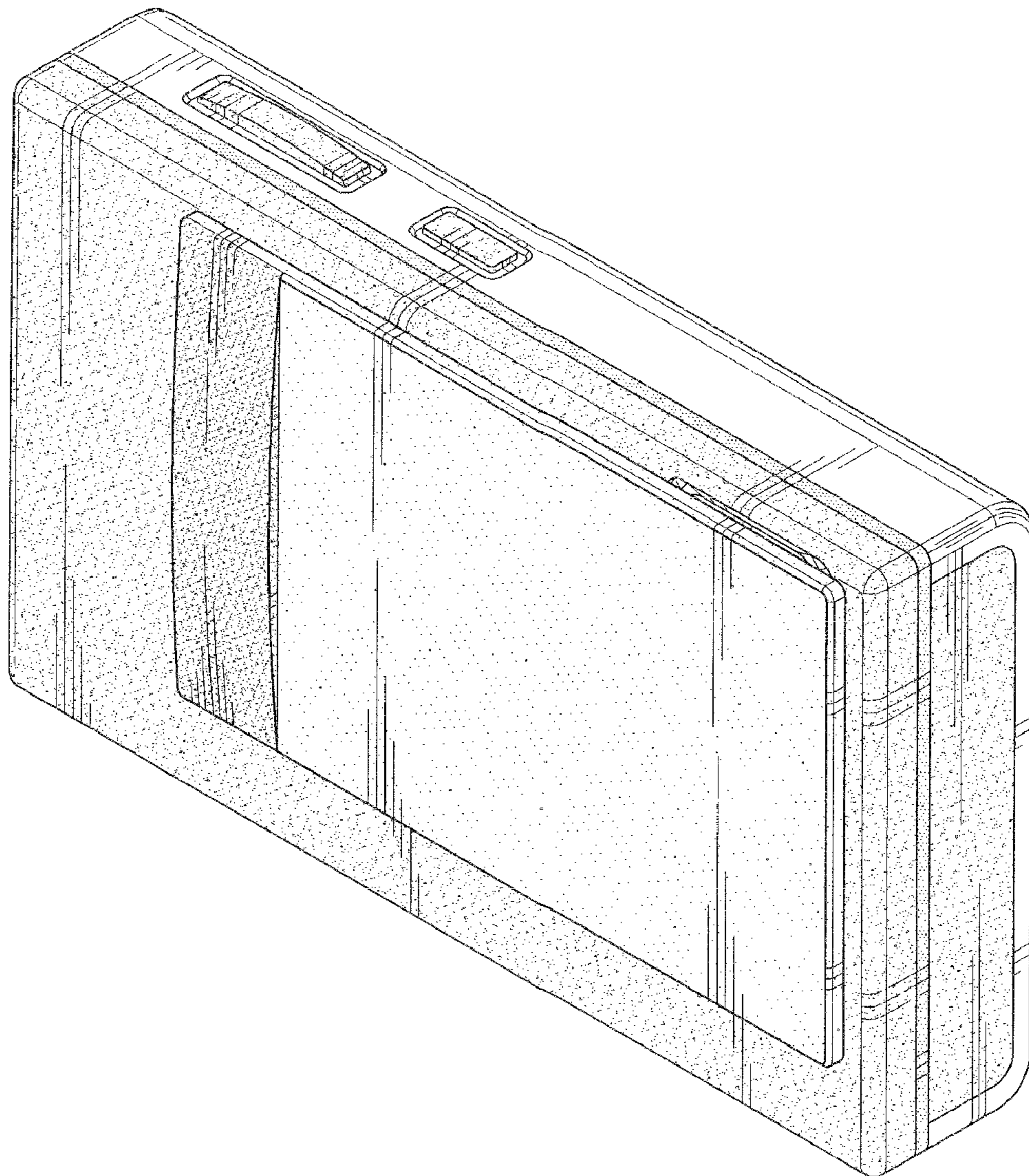


FIG. 4

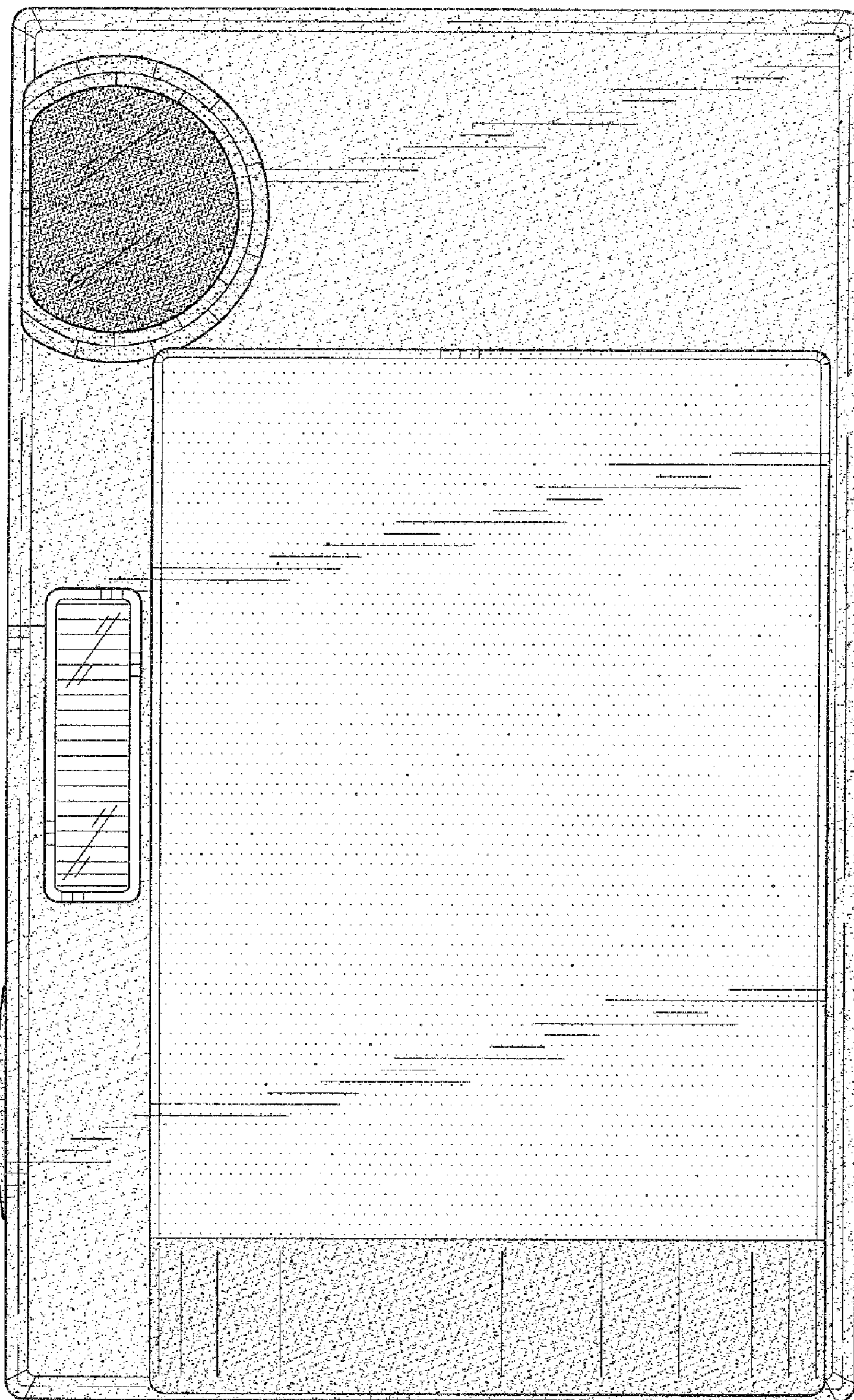




FIG. 5

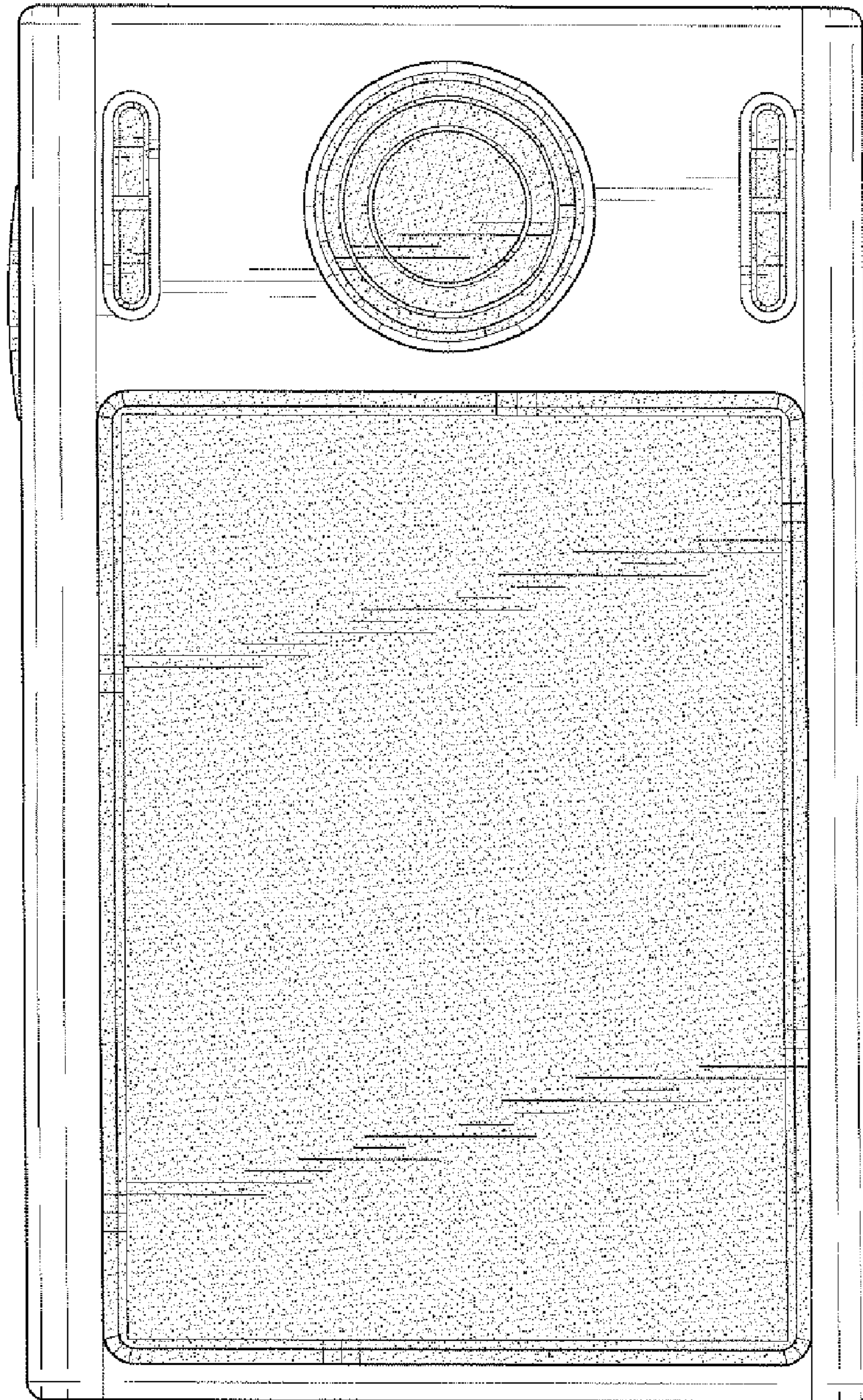


FIG. 6

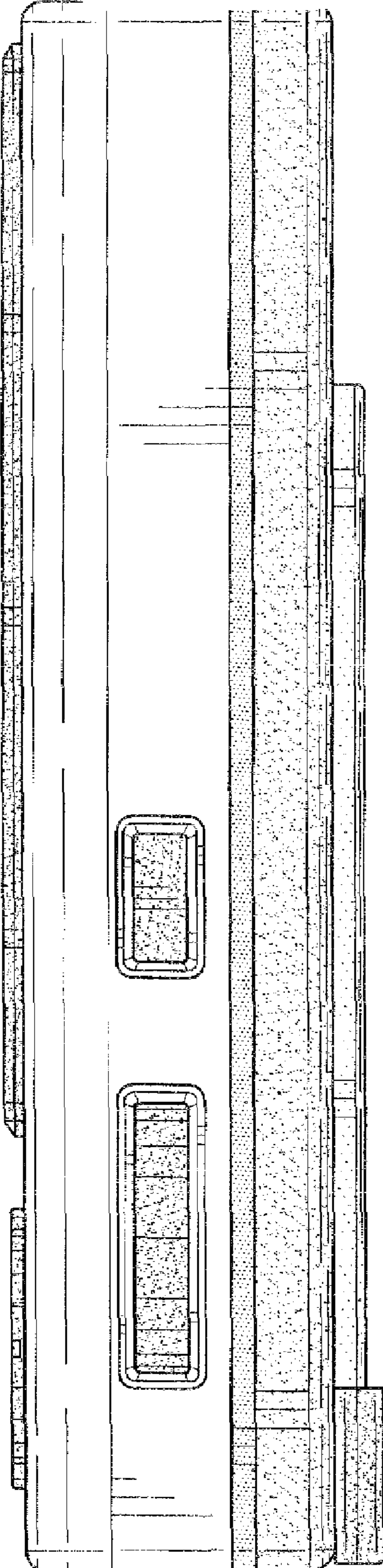


FIG. 7

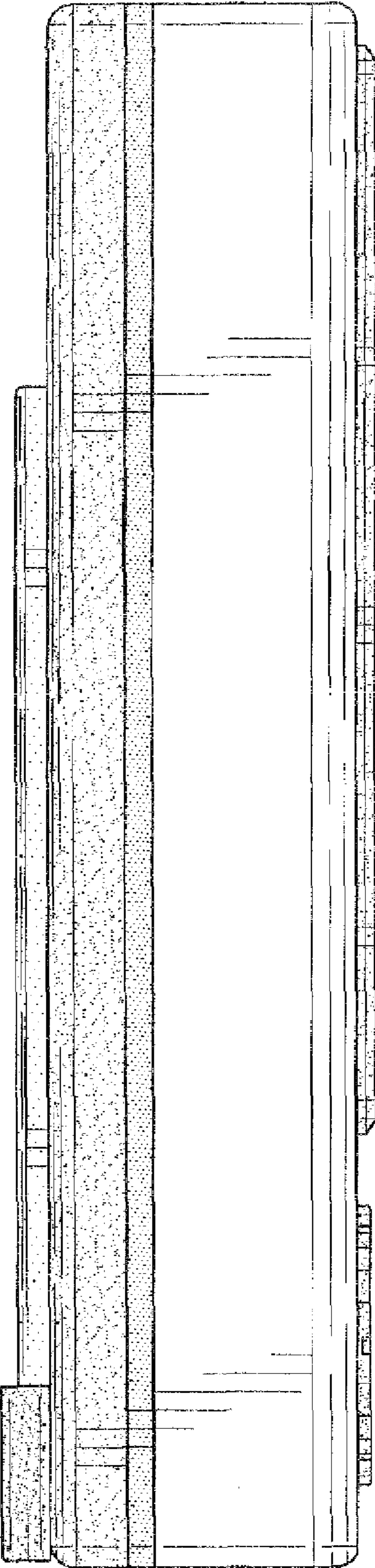




FIG. 8

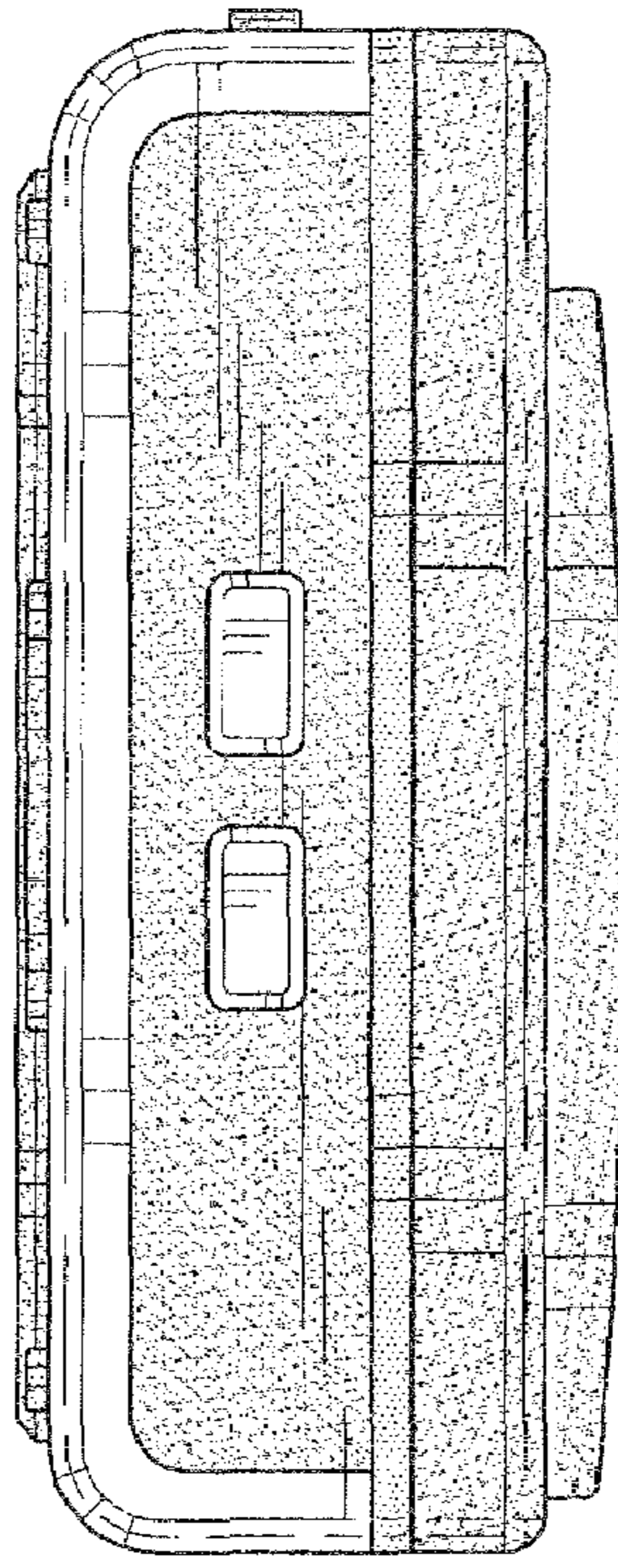


FIG. 9

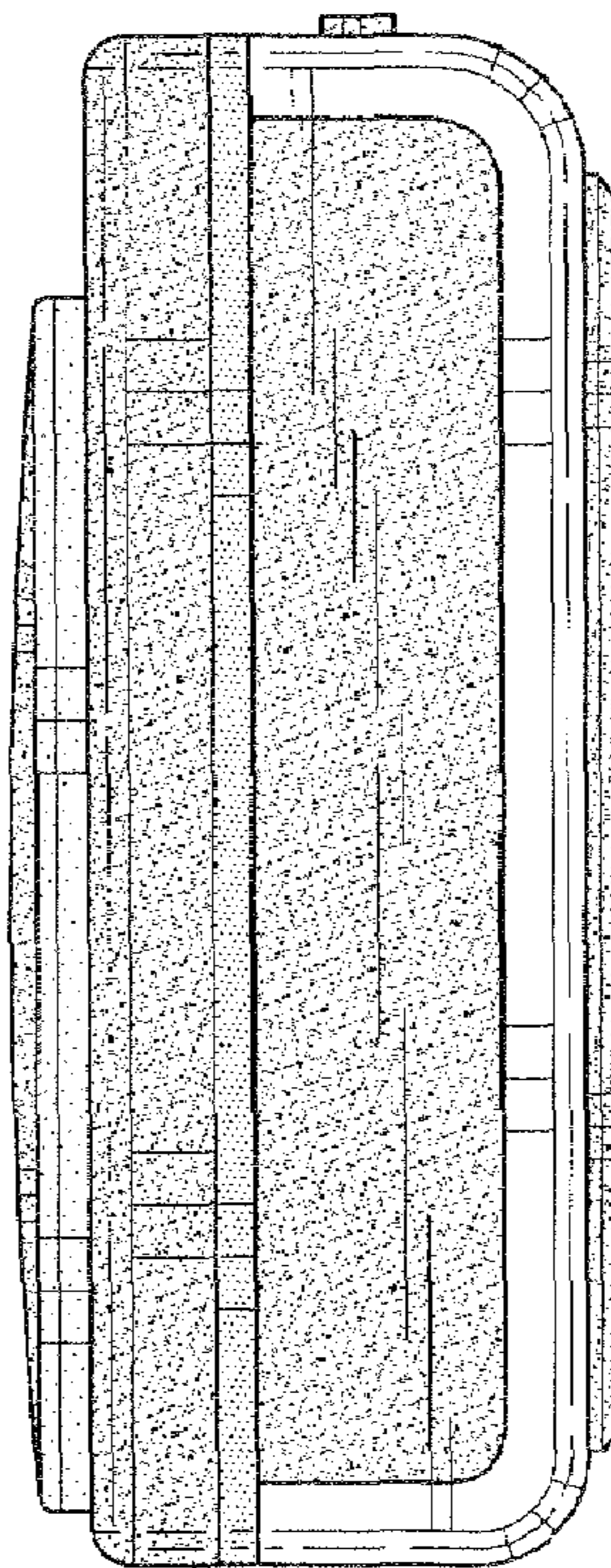


FIG. 10

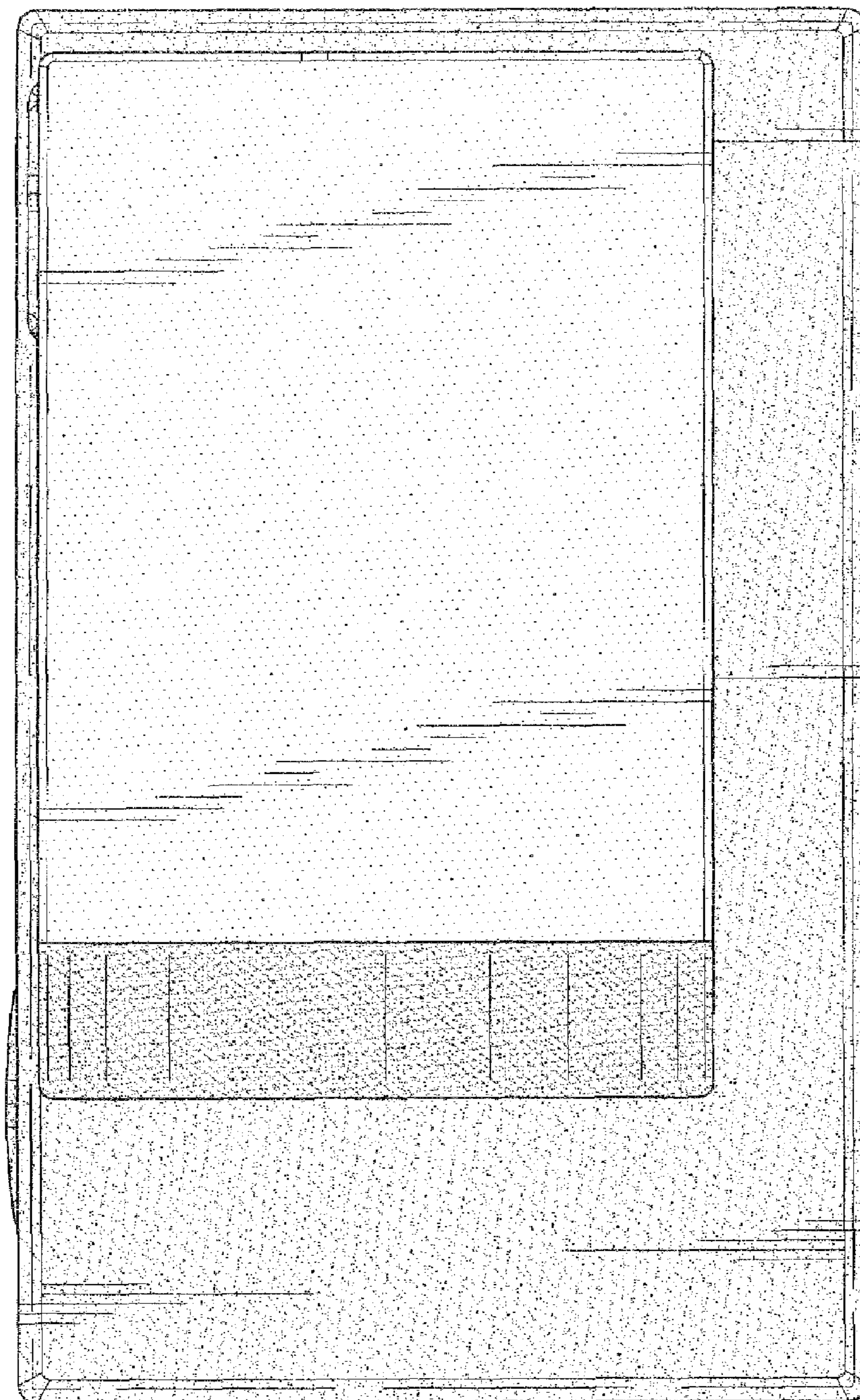




FIG. 11

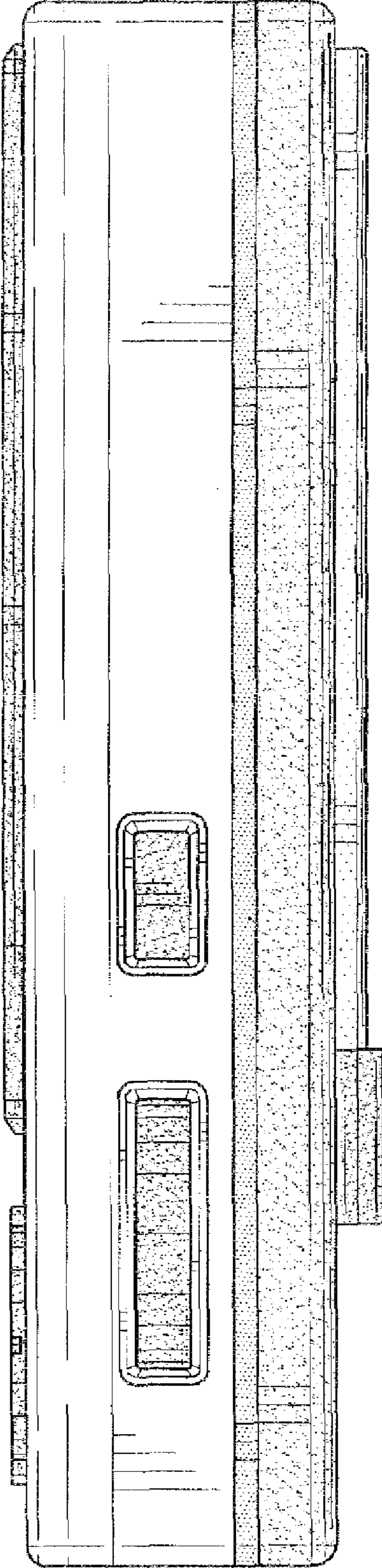


FIG. 12

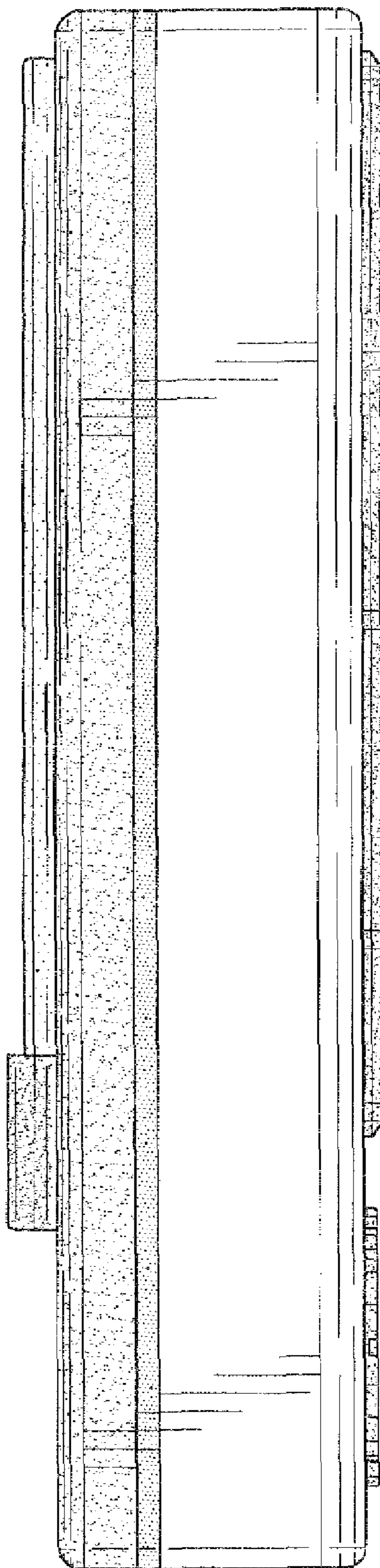




FIG. 13

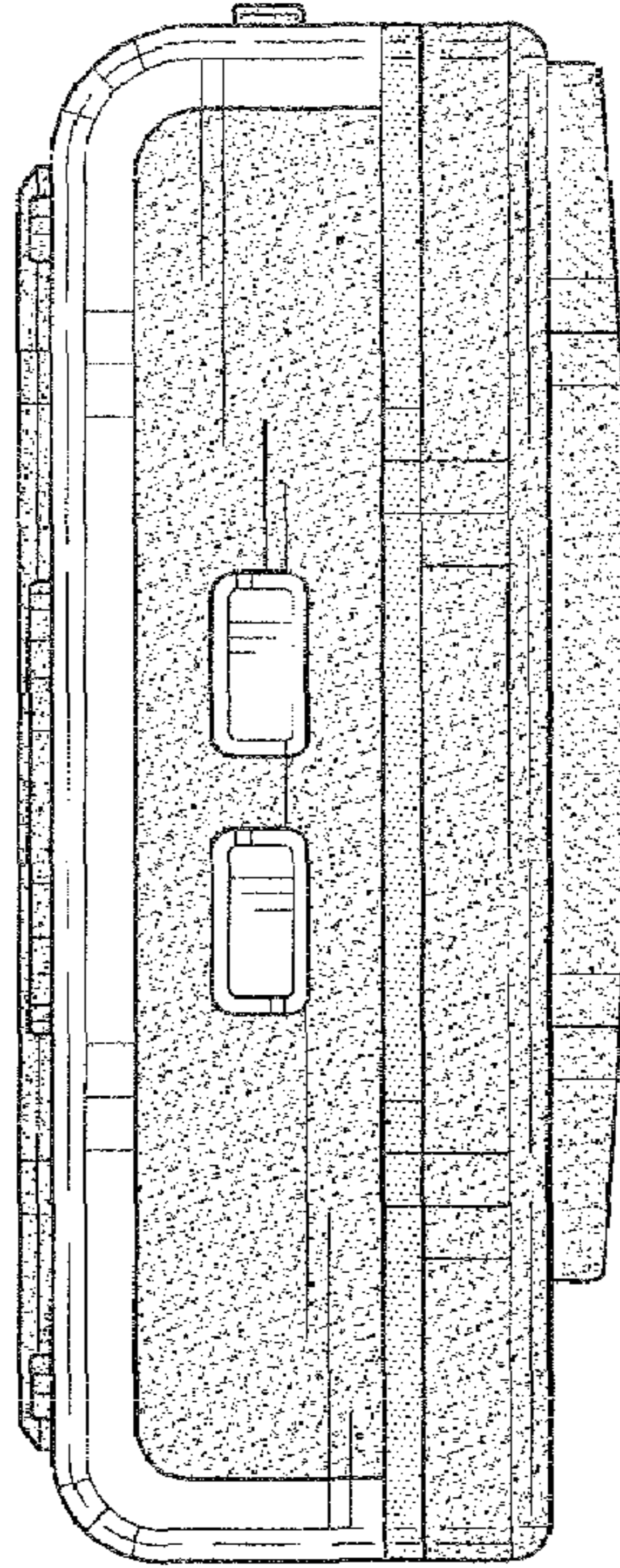


FIG. 14

