

US00D606099S

(12) **United States Design Patent**
Lawyer et al.

(10) **Patent No.:** **US D606,099 S**
(45) **Date of Patent:** **** Dec. 15, 2009**

(54) **SPA PUMP HOUSING**

(76) Inventors: **Justin Lawyer**, 2657 S. Vandalla Ave.,
Tulsa, OK (US) 74114; **Patrick Clasen**,
858 Brockcreek La., Kirkwood, MO
(US) 63122; **Timothy Marks**, 176
Brewster Rd., Scarsdale, NY (US)
10583; **Quy Ton**, 3131 Dalrymple Dr.,
Baton Rouge, LA (US) 70815

(**) Term: **14 Years**

(21) Appl. No.: **29/326,339**

(22) Filed: **Oct. 16, 2008**

(51) **LOC (9) Cl.** **15-02**

(52) **U.S. Cl.** **D15/7**

(58) **Field of Classification Search** D15/7-9;
D23/231, 232, 225; 417/410.1, 359, 415-416,
417/234, 321, 265, 405

See application file for complete search history.

(56) **References Cited**

U.S. PATENT DOCUMENTS

D441,376 S * 5/2001 Gohil et al. D15/7
D520,026 S * 5/2006 Hulks D15/9

D548,751 S * 8/2007 Snider D15/7
D575,802 S * 8/2008 Chu D15/9
D589,060 S * 3/2009 Metcalfe D15/7
D590,841 S * 4/2009 Muhlenberend D15/7

* cited by examiner

Primary Examiner—R. Seifert
(74) *Attorney, Agent, or Firm*—Berenato & White

(57) **CLAIM**

The ornamental design for a spa pump housing, as shown and described.

DESCRIPTION

FIG. 1 is a top plan view of our design;
FIG. 2 is a front elevational view thereof;
FIG. 3 is a rear elevational view thereof;
FIG. 4 is a bottom plan view;
FIG. 5 is a right side elevational view with the left side being a mirror image thereof;
FIG. 6 is a top rear perspective view; and,
FIG. 7 is a top front perspective view.

1 Claim, 5 Drawing Sheets

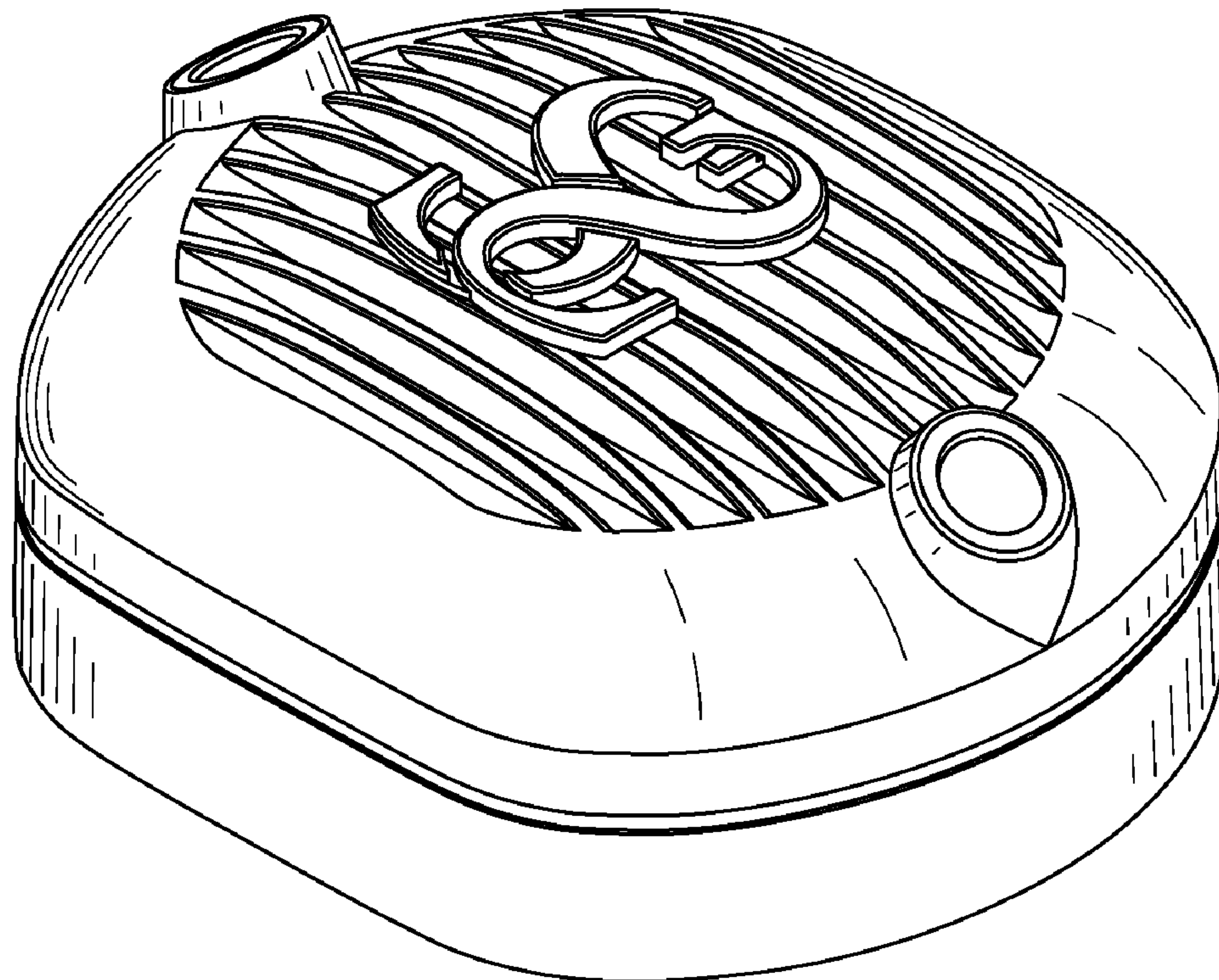


Fig. 1

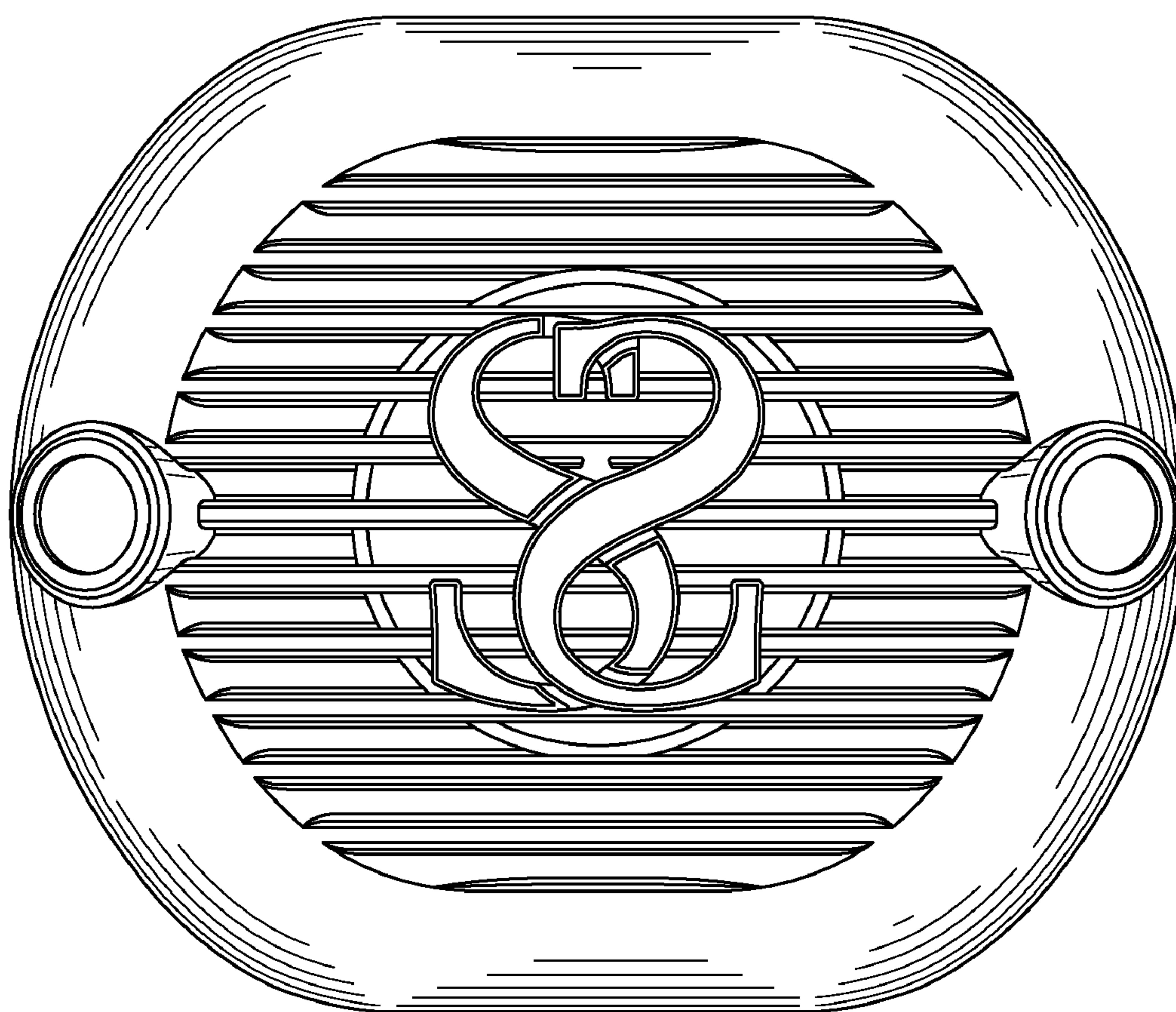


Fig. 2

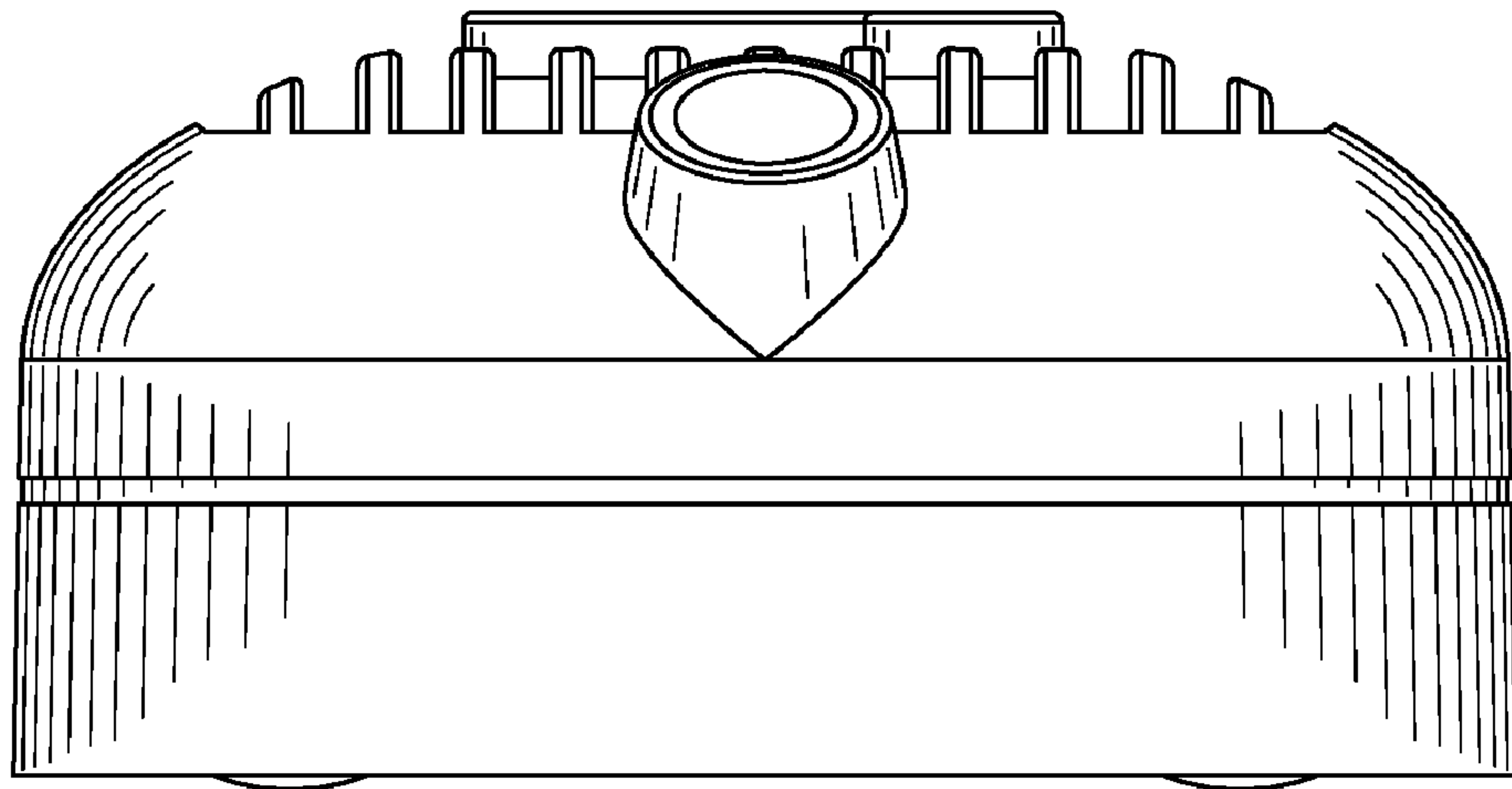


Fig. 3

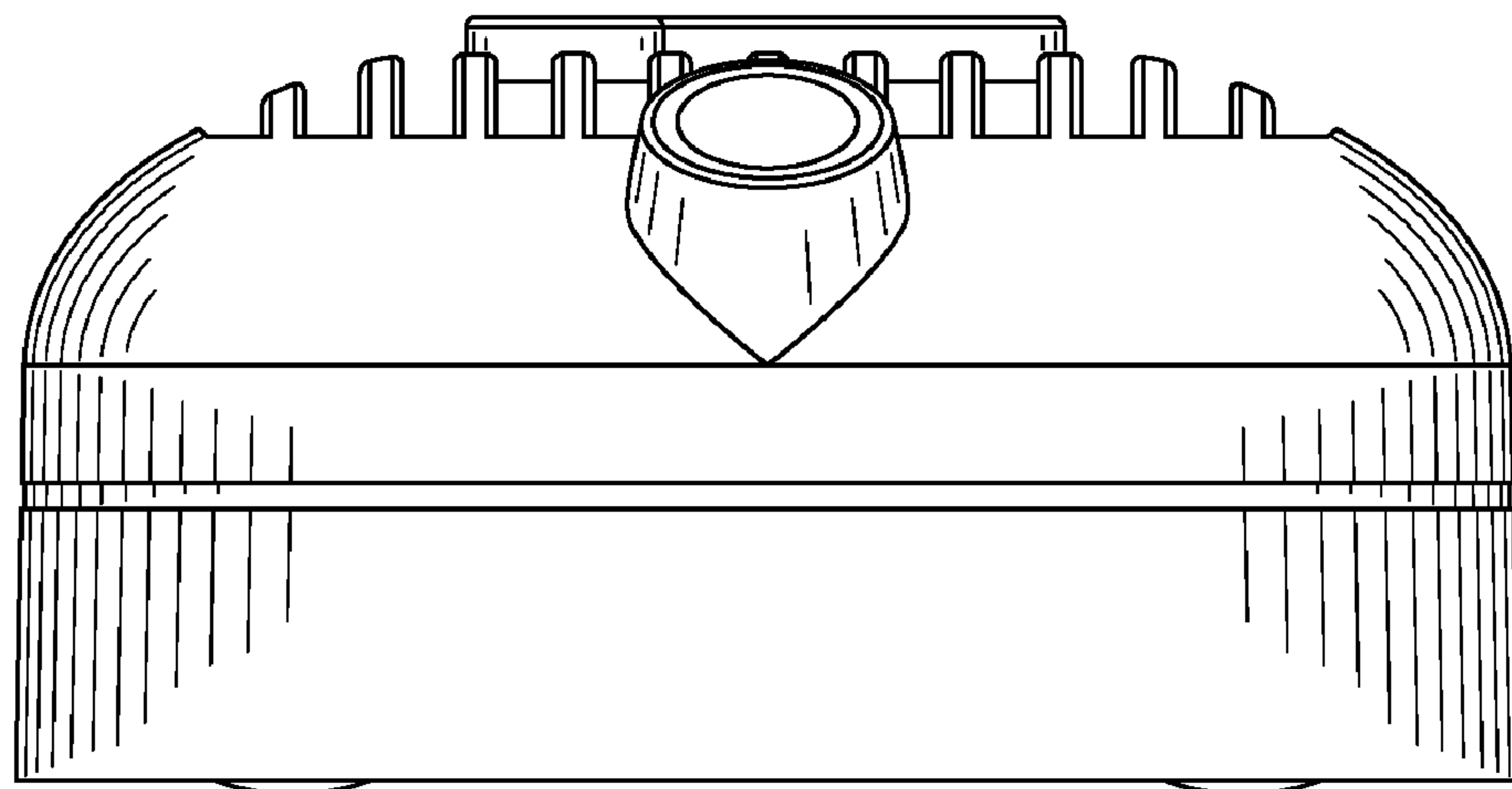


Fig. 4

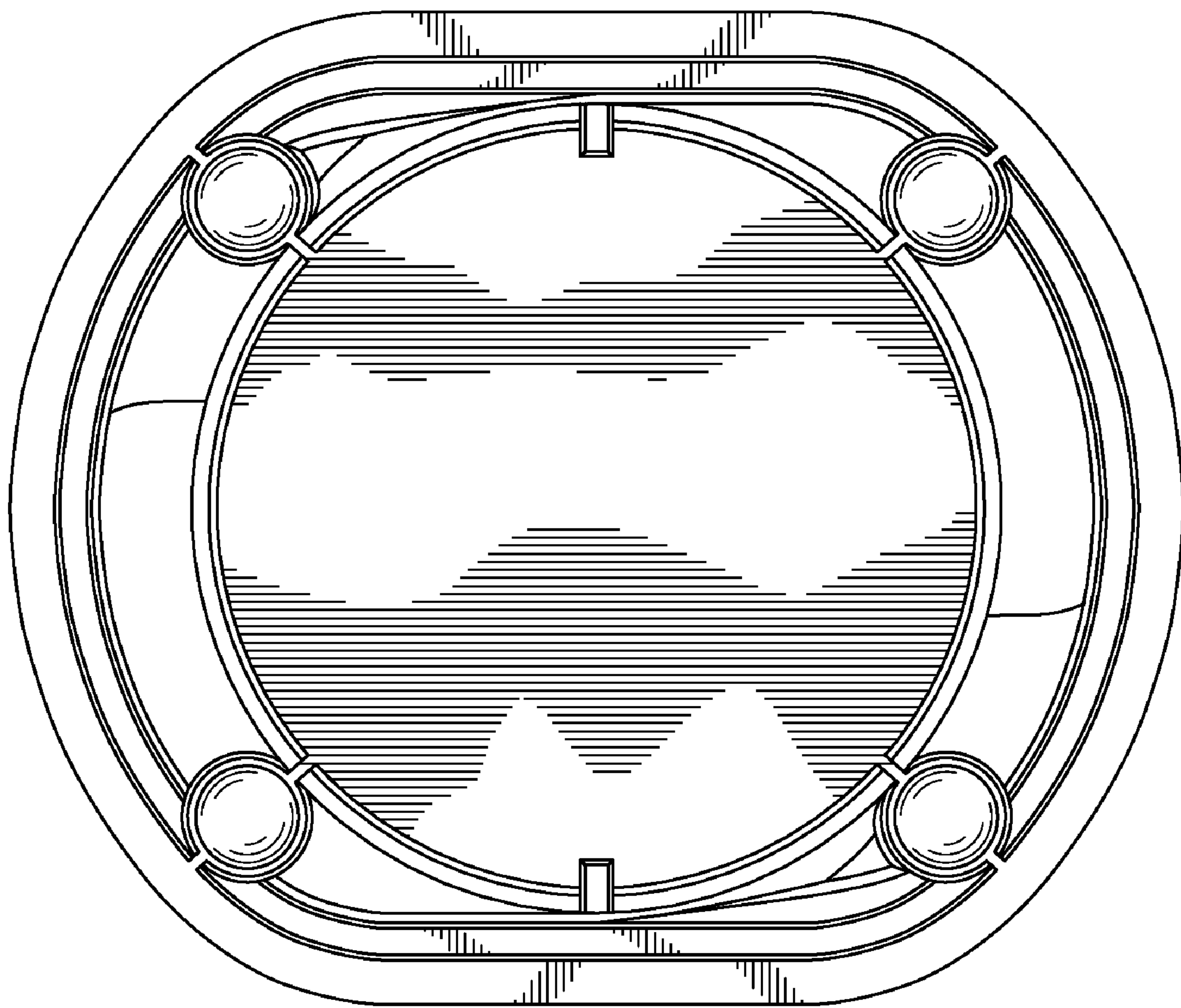


Fig. 5

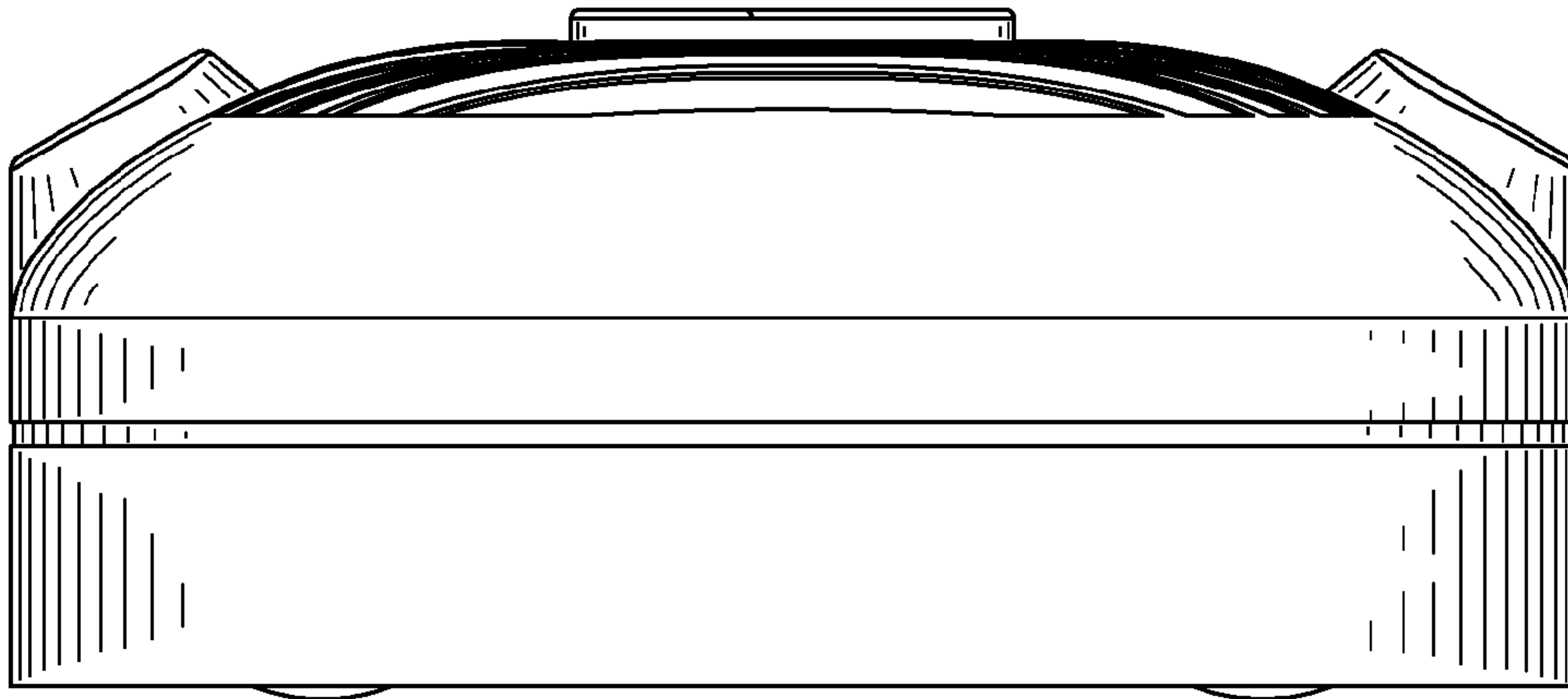


Fig. 6

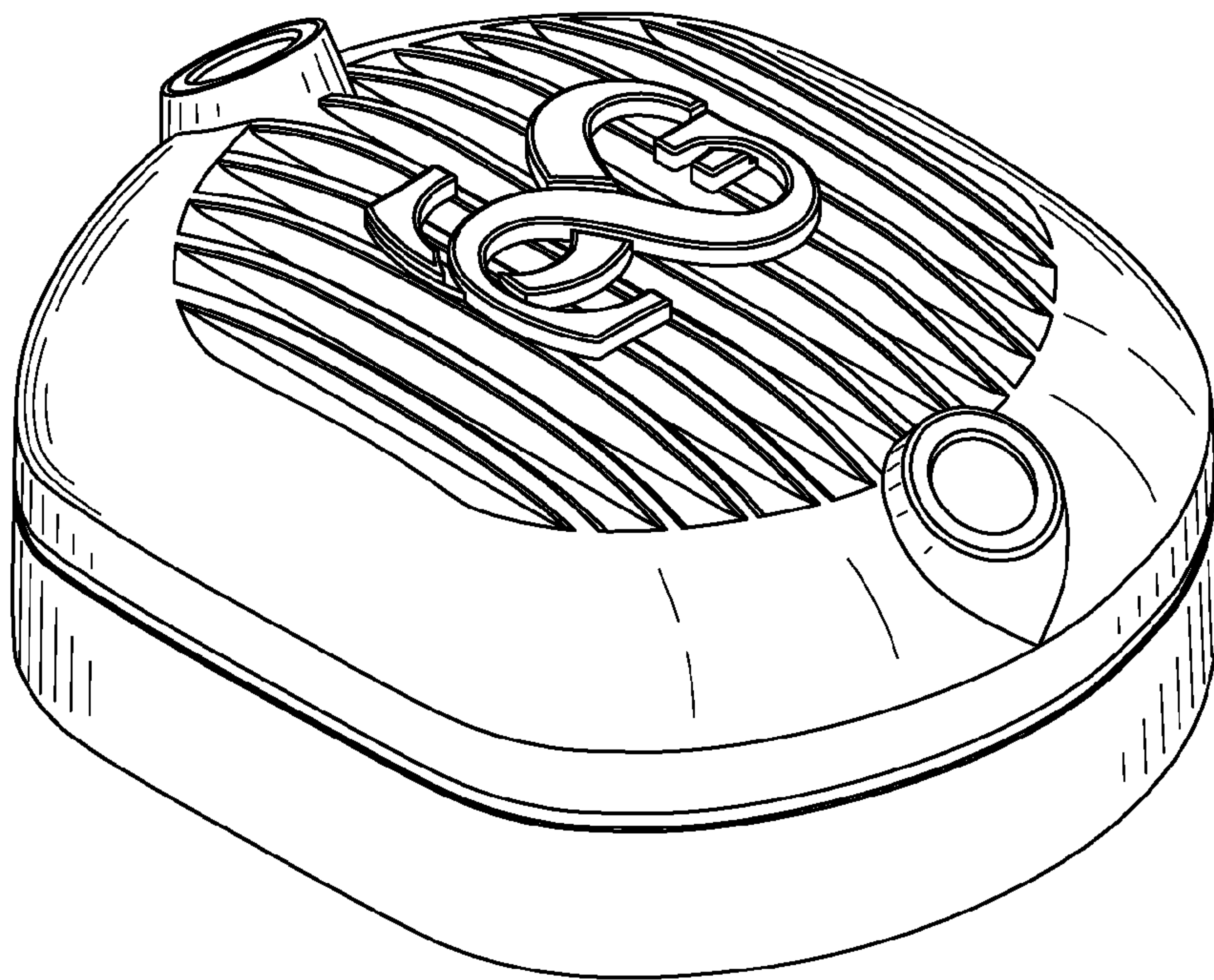


Fig. 7

