



US00D606094S

(12) **United States Design Patent**  
**Kimura**

(10) **Patent No.:** **US D606,094 S**

(45) **Date of Patent:** **\*\* Dec. 15, 2009**

(54) **DIGITAL VIDEO DISC PLAYER WITH AMPLIFIER**

(75) Inventor: **Hideyuki Kimura**, Kanagawa (JP)

(73) Assignee: **Victor Company of Japan, Limited**, Kanagawa (JP)

(\*\*) Term: **14 Years**

(21) Appl. No.: **29/307,395**

(22) Filed: **Apr. 17, 2008**

(30) **Foreign Application Priority Data**

Nov. 8, 2007 (JP) ..... 2007-030923

(51) **LOC (9) Cl.** ..... **14-03**

(52) **U.S. Cl.** ..... **D14/496**

(58) **Field of Classification Search** ..... D14/125-136, D14/239, 371, 374-377, 156, 157, 168, 197, D14/198, 188, 257, 258, 496; 312/7.2; 348/836, 348/838, 180, 184, 325, 739; 341/12; 248/917-924, 248/465, 123.11; 345/104, 133, 156, 168, 345/87, 173, 169; 349/1, 2, 11, 62; 720/605, 720/669, 600, 655, 99, 197, 612, 619, 647; 455/344-351; 360/99.02, 99.07; 369/77.11

See application file for complete search history.

(56) **References Cited**

**U.S. PATENT DOCUMENTS**

D316,716 S \* 5/1991 Nagata ..... D14/188  
D328,897 S \* 8/1992 Ito et al. .... D14/198  
D387,755 S \* 12/1997 Shintani ..... D14/135  
D414,769 S \* 10/1999 Shintani et al. .... D14/188  
D416,898 S \* 11/1999 Takahashi ..... D14/168  
D419,989 S \* 2/2000 Uchiyama ..... D14/135  
D423,008 S \* 4/2000 Shintani ..... D14/168

D427,989 S \* 7/2000 Ito et al. .... D14/505  
D537,435 S \* 2/2007 Oikawa ..... D14/188  
D551,198 S \* 9/2007 Kim ..... D14/505  
D578,992 S \* 10/2008 Iida ..... D14/503

\* cited by examiner

*Primary Examiner*—Robert M Spear

*Assistant Examiner*—Randall H Gholson

(74) *Attorney, Agent, or Firm*—Osha • Liang LLP

(57) **CLAIM**

The ornamental design for a digital video disc player with amplifier, as shown and described.

**DESCRIPTION**

FIG. 1 is a perspective view of the front, right and top of a digital video player with amplifier showing my new design.

FIG. 2 is a front view of the design according to the invention.

FIG. 3 is a rear view of the design according to the invention.

FIG. 4 is a top plan view of the design according to the invention.

FIG. 5 is a bottom view of the design according to the invention.

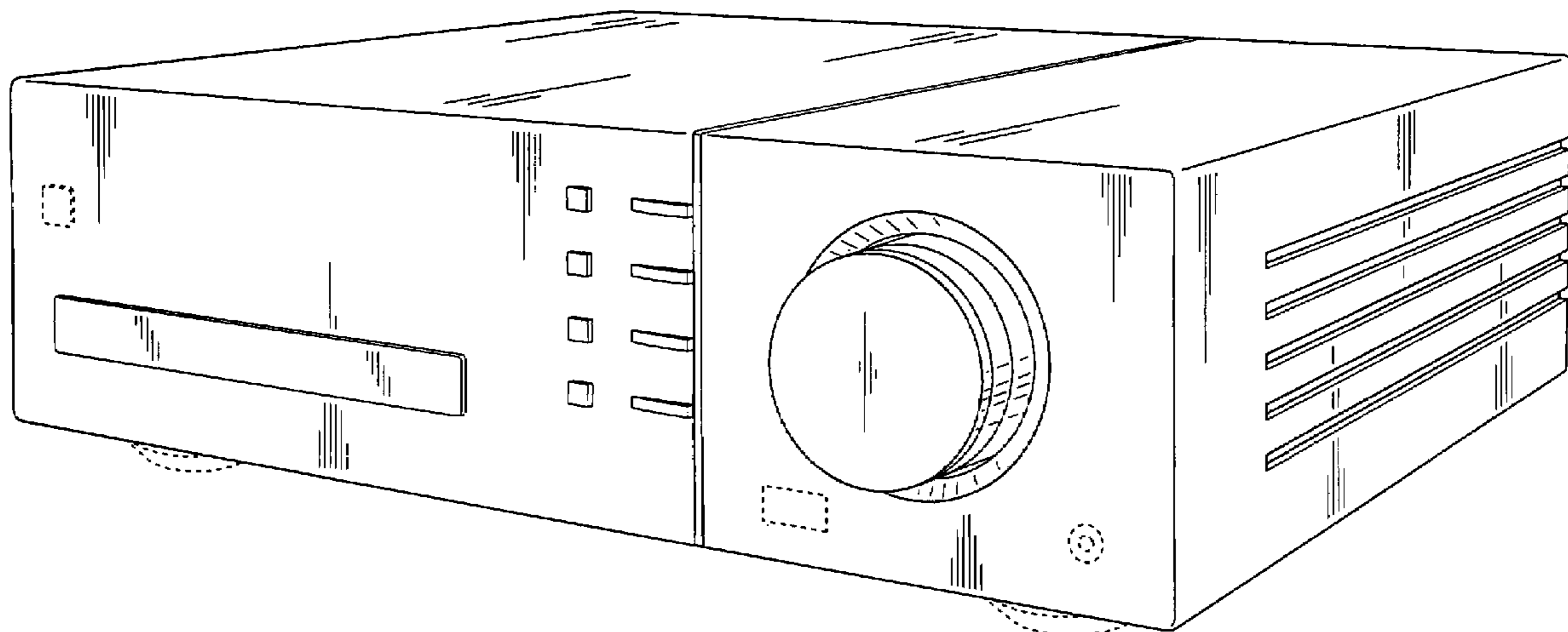
FIG. 6 is a left side view of the design according to the invention; and,

FIG. 7 is a right side view of the design according to the invention.

The elements shown in broken lines are for illustrative purposes only and form no part of the claimed invention.

The outermost rectangular broken line on the bottom of the digital video disc player with amplifier defines the bounds of the claimed design.

**1 Claim, 5 Drawing Sheets**



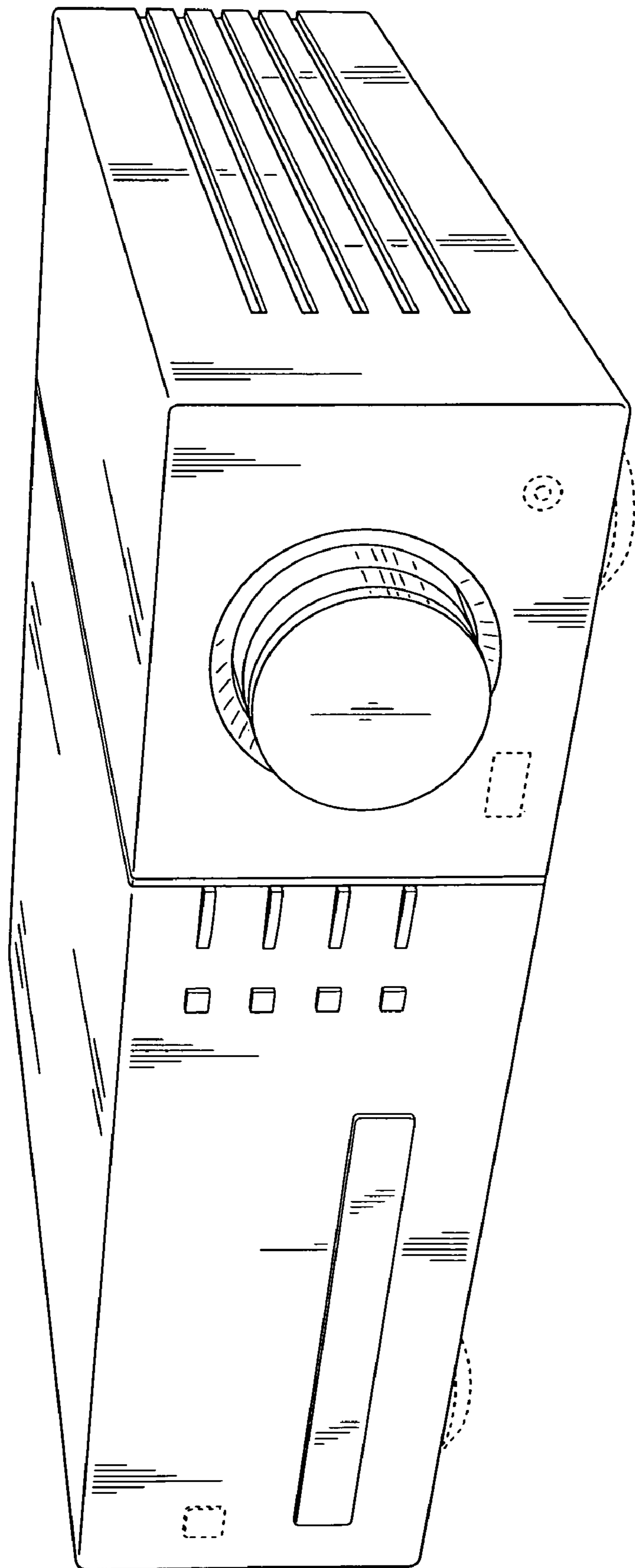


FIG. 1

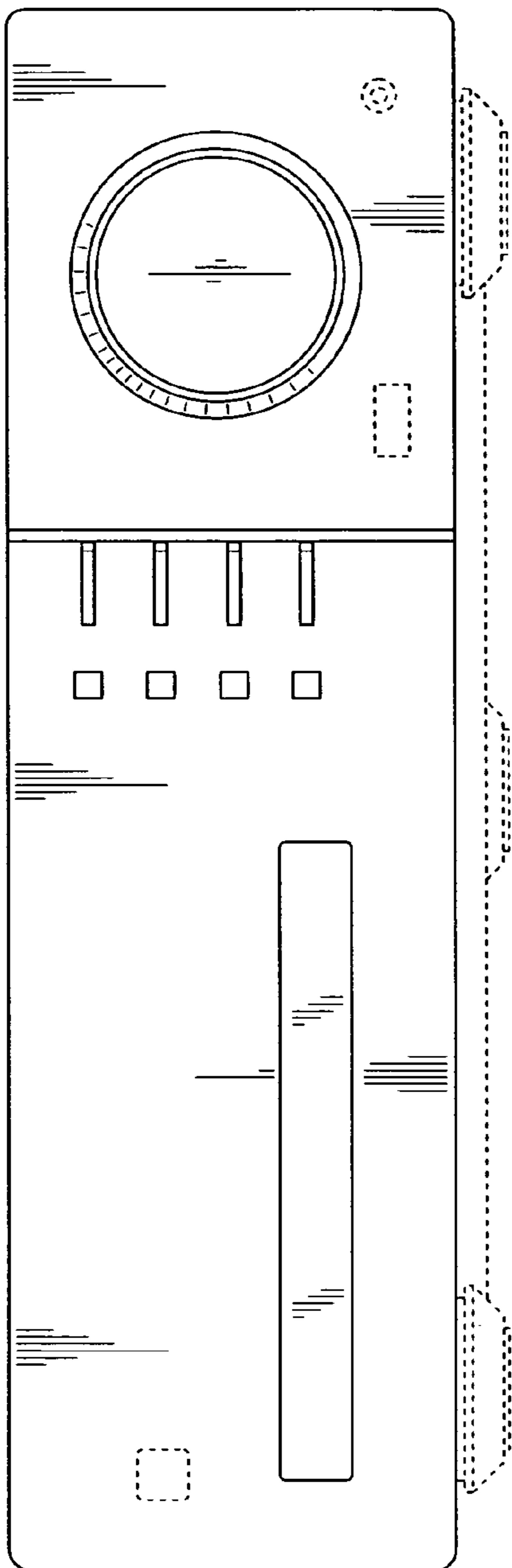


FIG. 2

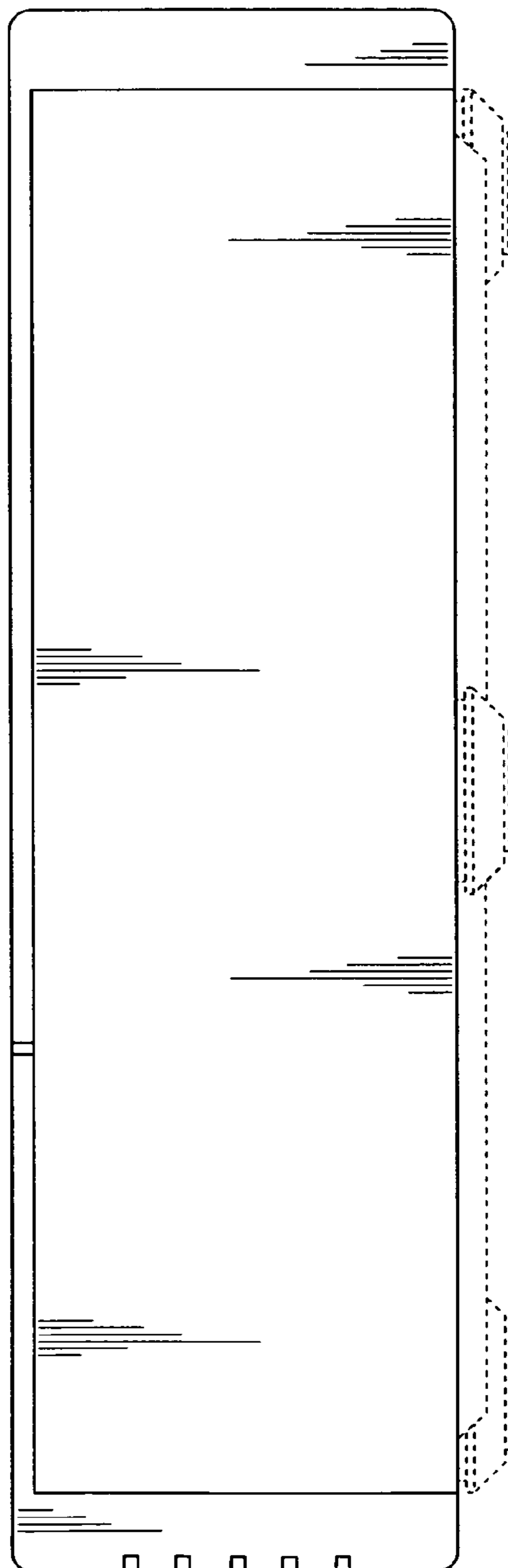


FIG. 3

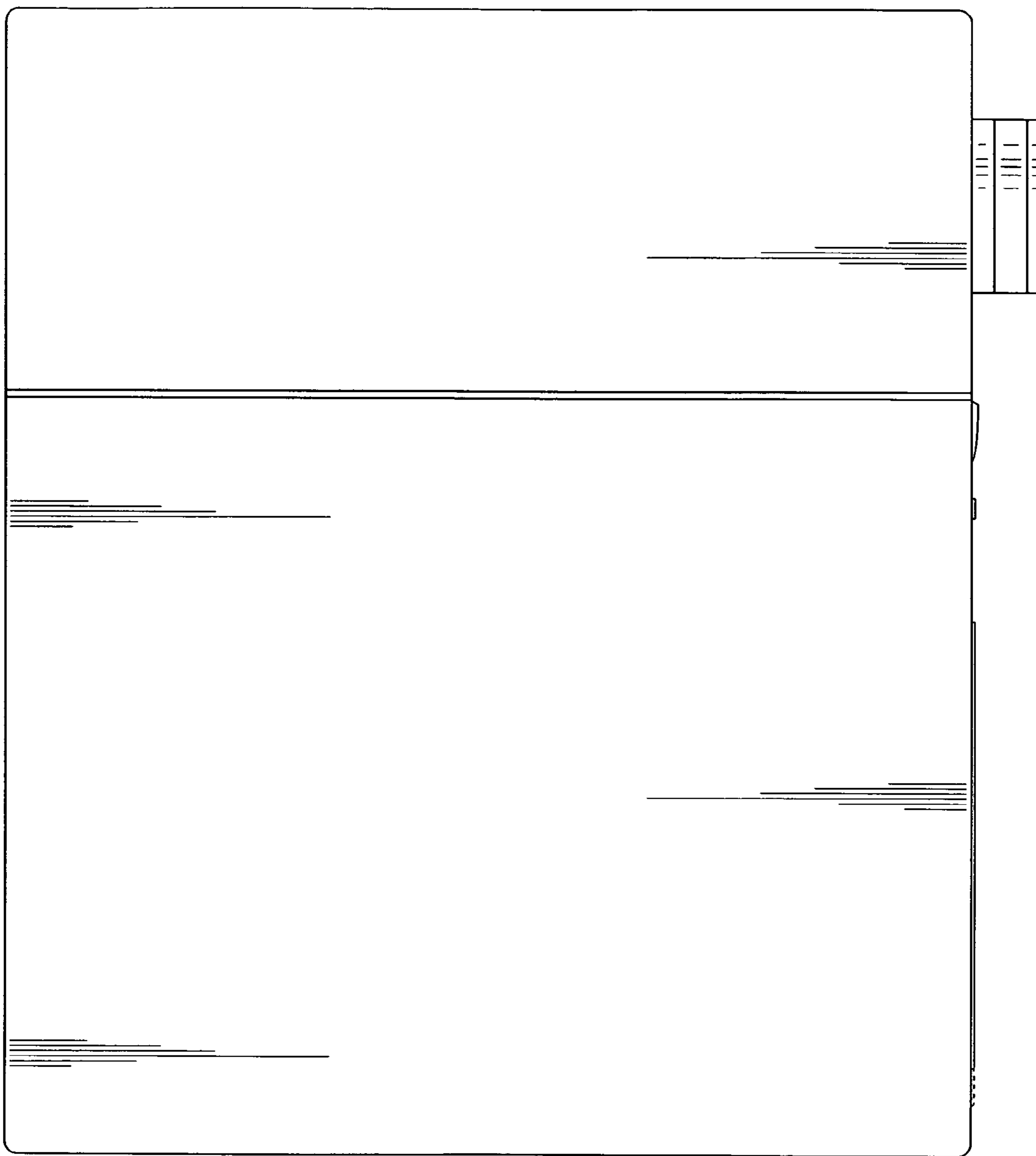


FIG. 4

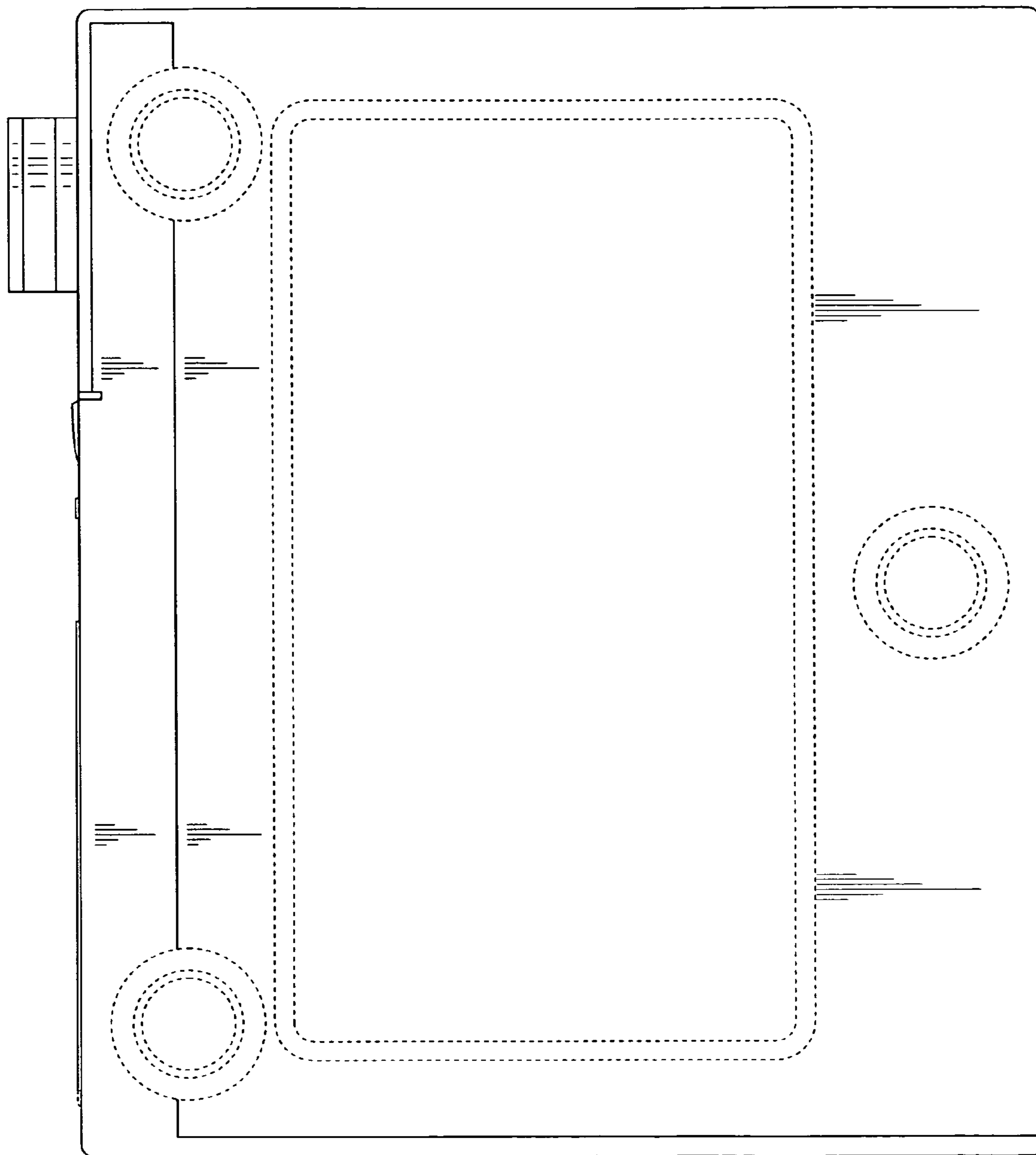


FIG. 5

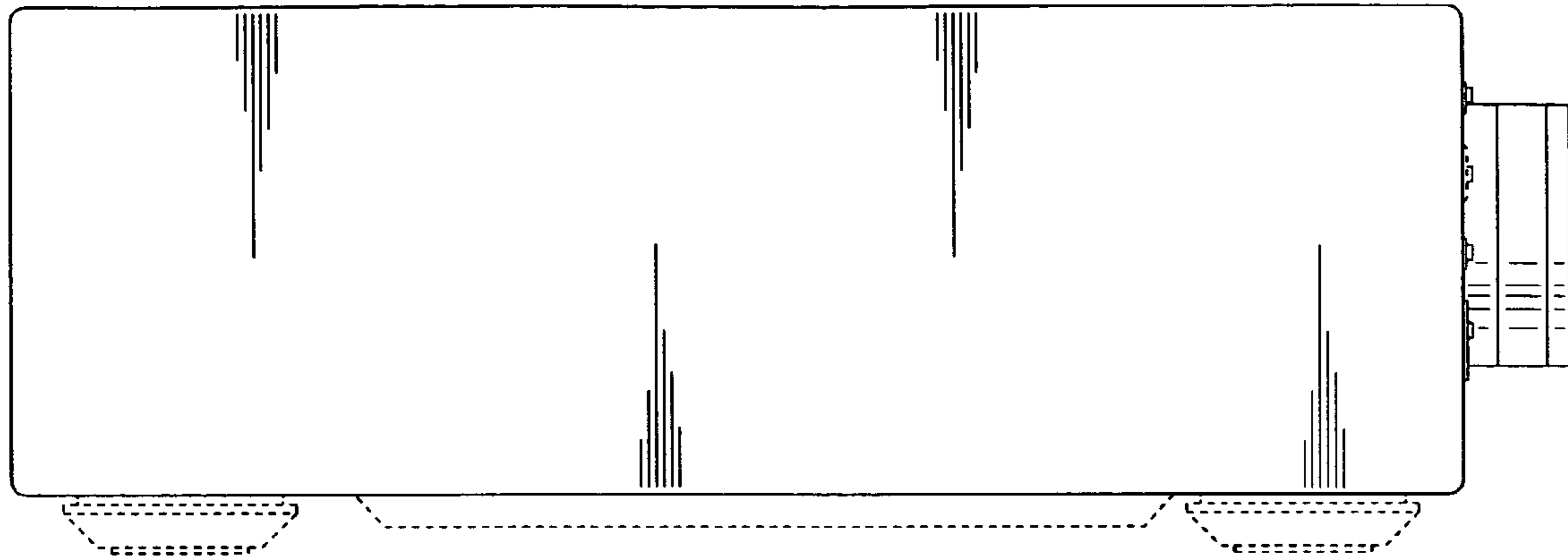


FIG. 6

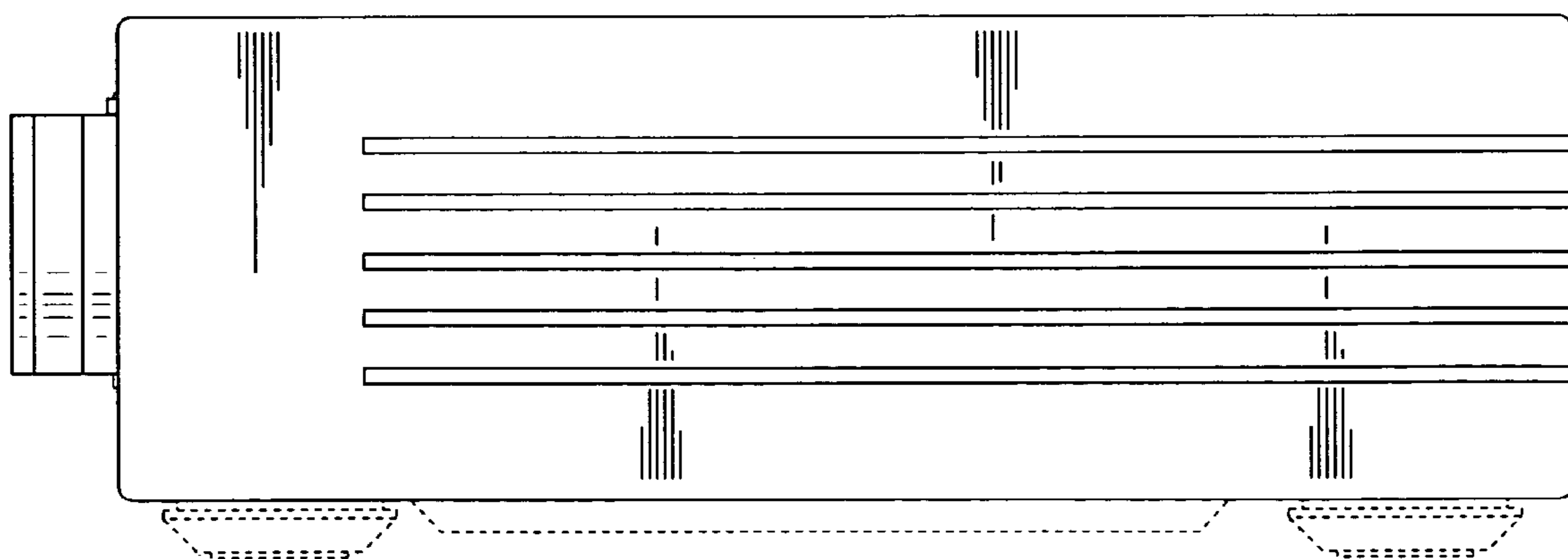


FIG. 7