



US00D606079S

(12) **United States Design Patent**
Hoang

(10) **Patent No.:** **US D606,079 S**

(45) **Date of Patent:** **** Dec. 15, 2009**

(54) **GRAPHIC USER INTERFACE FOR A DISPLAY SCREEN**

(75) Inventor: **Foo Hoang**, Taoyuan (TW)

(73) Assignee: **HTC Corporation**, Taoyuan County (TW)

(**) Term: **14 Years**

(21) Appl. No.: **29/317,097**

(22) Filed: **Apr. 23, 2008**

(51) **LOC (9) Cl.** **32-00**

(52) **U.S. Cl.** **D14/485; D14/492**

(58) **Field of Classification Search** D14/485-495;
D18/24-33; D19/6, 52; D20/11; D21/324-333;
715/700-867, 973-977; 345/757, 782, 848,
345/852, 850, 809, 837, 798, 752, 163, 156,
345/537, 474, 836, 419, 649, 656, 659, 426,
345/427, 582, 428, 440, 660, 634, 902, 418,
345/629, 700, 744, 747, 473; 705/10, 5;
709/223

See application file for complete search history.

(56) **References Cited**

U.S. PATENT DOCUMENTS

- D295,632 S * 5/1988 Wells-Papanek et al. ... D14/493
- D331,229 S * 11/1992 Pike D20/11
- D390,548 S * 2/1998 Maekawa et al. D14/488
- 5,745,116 A * 4/1998 Pisutha-Arnond 715/863
- D394,052 S * 5/1998 Meade D14/493
- D395,044 S * 6/1998 Morioka et al. D14/493
- D407,391 S * 3/1999 Pascual et al. D14/493
- 5,940,078 A * 8/1999 Nagarajayya et al. 715/859

- D428,615 S * 7/2000 Hwang et al. D14/495
- D445,428 S * 7/2001 Pattenden D14/488
- D509,222 S * 9/2005 Hernandez et al. D14/493
- D509,512 S * 9/2005 Hernandez et al. D14/493
- D550,685 S * 9/2007 Seo et al. D14/486
- D550,686 S * 9/2007 Seo et al. D14/486
- D553,146 S * 10/2007 Byeon et al. D14/486
- D554,660 S * 11/2007 Hoover et al. D14/487
- D554,664 S * 11/2007 Van Dongen et al. D14/492
- D567,816 S * 4/2008 Kwag D14/487
- D568,898 S * 5/2008 Byeon D14/487
- D585,076 S * 1/2009 Flynt et al. D14/493
- D585,458 S * 1/2009 Flynt et al. D14/493
- D586,822 S * 2/2009 Flynt et al. D14/493

* cited by examiner

Primary Examiner—Susan Moon Lee

(74) *Attorney, Agent, or Firm*—Jianq Chyun IP Office

(57) **CLAIM**

The ornamental design for a graphic user interface for a display screen, as shown and described.

DESCRIPTION

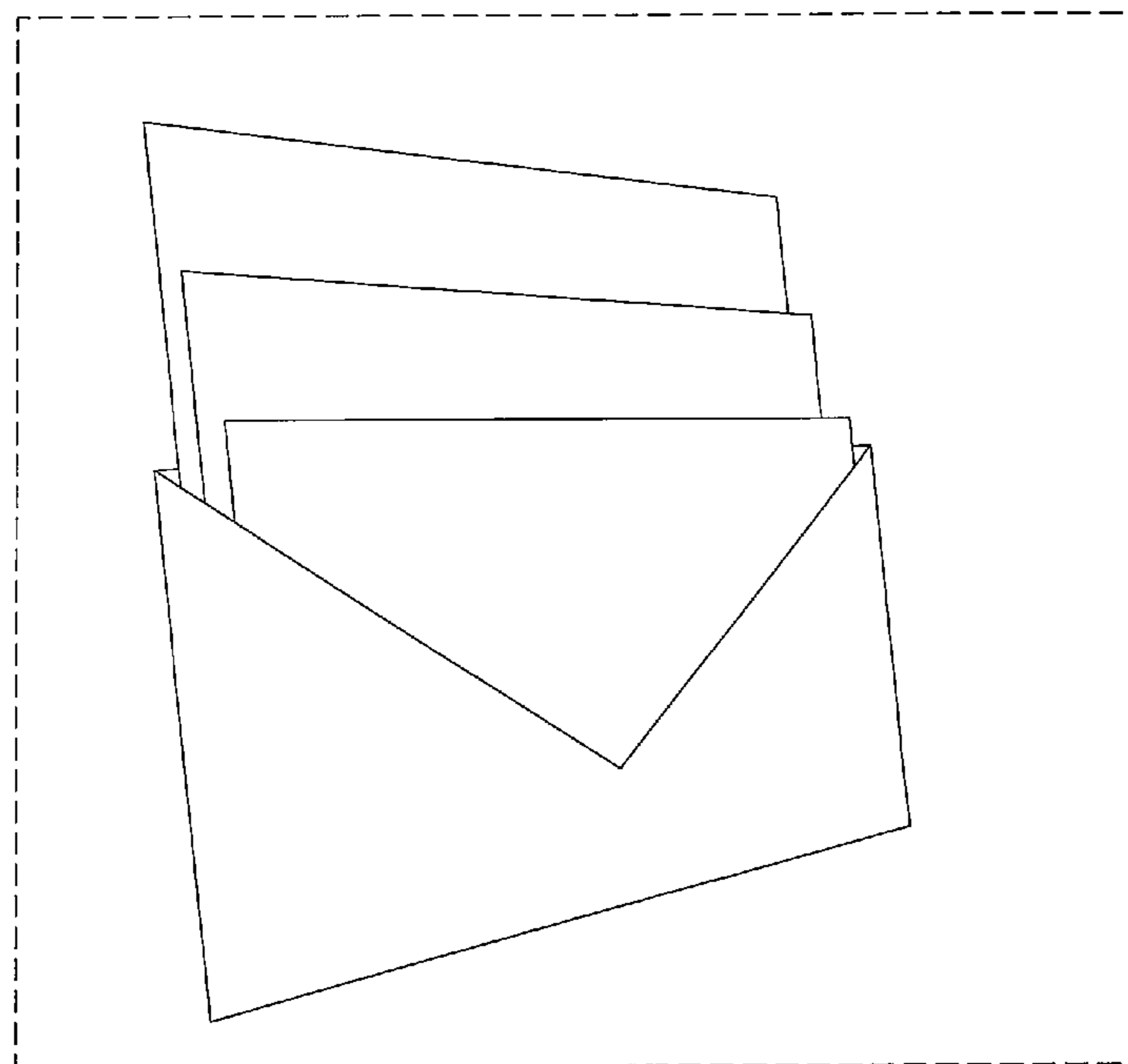
FIG. 1 is a front view of a graphical user interface in an embodiment of the present invention;

FIG. 2 is a front view of a graphical user interface in another embodiment of the present invention; and,

FIG. 3 is a front view of a graphical user interface in another embodiment of the present invention.

The broken line showing of the display screen is for illustrative purposes only and forms no part of the claimed design.

1 Claim, 3 Drawing Sheets



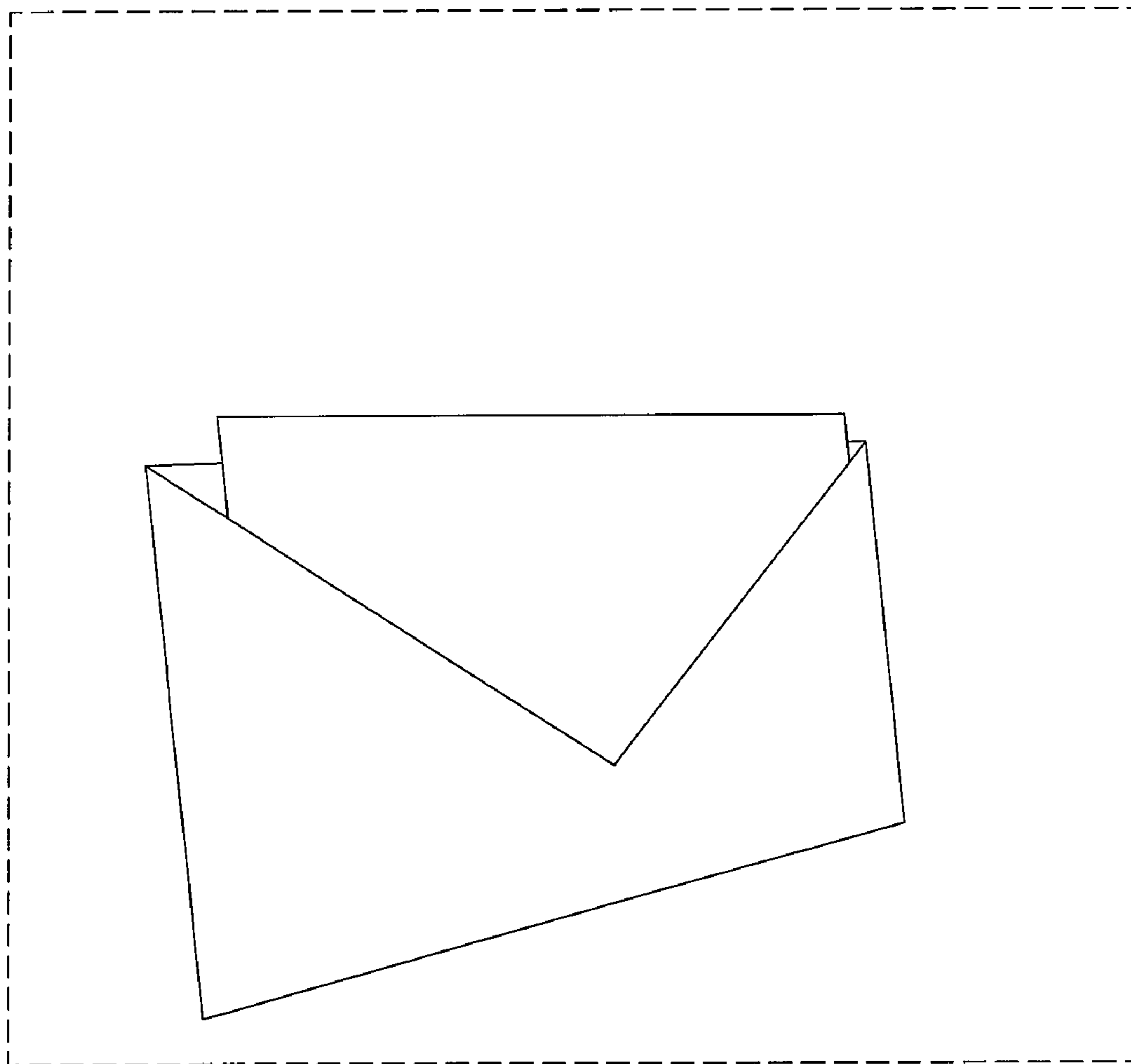


FIG. 1

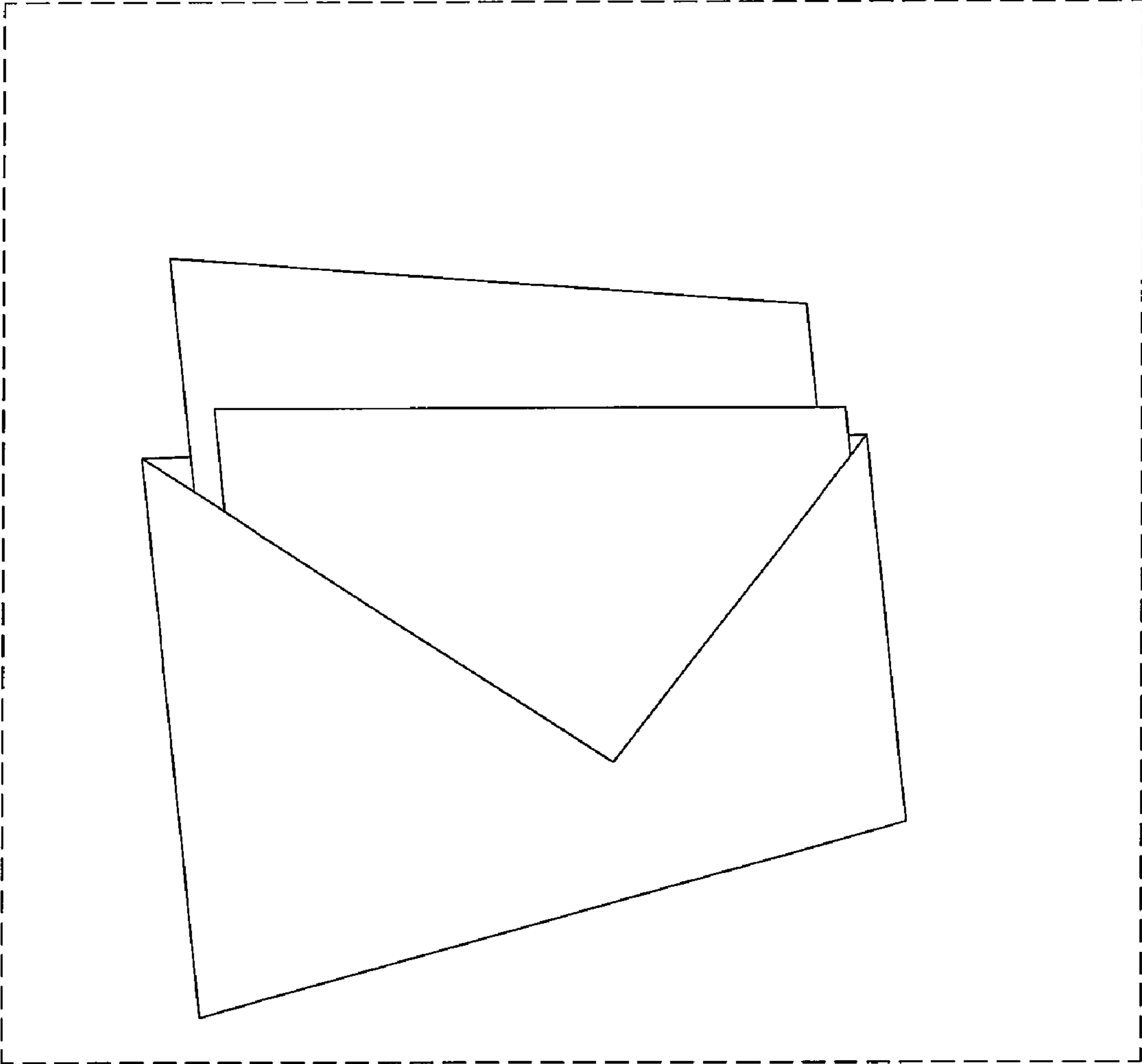


FIG. 2

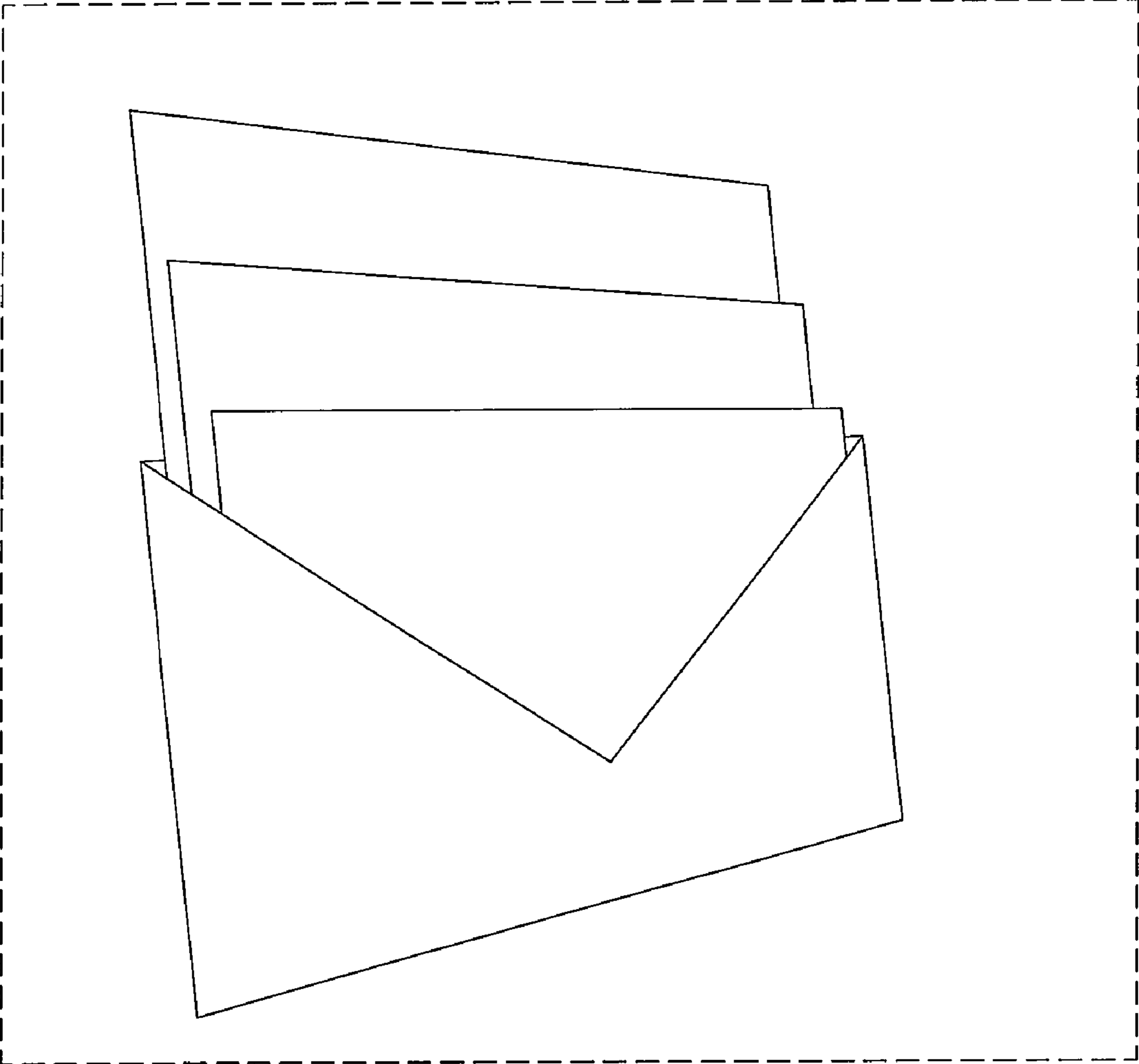


FIG. 3