

US00D606078S

(12) **United States Design Patent**
Chen

(10) **Patent No.:** **US D606,078 S**
(45) **Date of Patent:** **** Dec. 15, 2009**

(54) **PORTABLE STORAGE DEVICE**

(75) Inventor: **Chu-Chou Chen**, Sindian (TW)

(73) Assignee: **A-Data Technology Co., Ltd.**, Taipei (TW)

(**) Term: **14 Years**

(21) Appl. No.: **29/309,921**

(22) Filed: **Nov. 12, 2008**

(30) **Foreign Application Priority Data**

May 15, 2008 (TW) 97302821

(51) **LOC (9) Cl.** **14-99**

(52) **U.S. Cl.** **D14/480.6**

(58) **Field of Classification Search** D14/411,
D14/433, 435.1, 436, 480.1–480.7, 484.1,
D14/137, 155, 167, 168, 203.1–203.8, 240,
D14/242, 299; D3/201, 208, 273; D13/107,
D13/108, 149, 184; 361/679.31, 679.33,
361/679.4, 752; 711/100, 115; 710/300,
710/301; 439/131, 135–147
See application file for complete search history.

(56) **References Cited**

U.S. PATENT DOCUMENTS

- 2,561,687 A * 7/1951 Keen et al. D3/208
- 6,926,544 B2 * 8/2005 Lee 439/147
- D513,000 S * 12/2005 Cohen D14/480.3
- D524,038 S * 7/2006 Leung D3/208
- D545,318 S * 6/2007 Klenske et al. D14/432
- D556,195 S * 11/2007 Lin D14/356
- D556,197 S * 11/2007 Blankenship et al. D14/356
- D556,751 S * 12/2007 Rambosek et al. D14/356
- D580,434 S * 11/2008 Kim D14/356
- D581,926 S * 12/2008 Kim D14/356
- 7,466,556 B2 * 12/2008 Hiew et al. 439/131
- D594,871 S * 6/2009 Ma D14/480.6
- 2005/0130469 A1 * 6/2005 Ikenoue 439/131
- 2005/0277316 A1 * 12/2005 Cohen 439/135
- 2006/0002069 A1 * 1/2006 Chuang 361/683

- 2008/0019090 A1 * 1/2008 Zhu et al. 361/684
- 2008/0026614 A1 * 1/2008 Emerson et al. 439/136
- 2008/0276099 A1 * 11/2008 Nguyen et al. 361/684
- 2008/0288697 A1 * 11/2008 Kim 710/300

OTHER PUBLICATIONS

techPowerUp :: A-Data S805 Flash Drive Review, [online] Jul. 14, 2009 [retrieved on Aug. 7, 2009]. Retrieved from the Internet <URL: http://www.techpowerup.com/reviews/AData/S805_Flash_Drive/>.*

Functional Keychains: USB Rechargeable Keychain Light, Web Archive [online] Dec. 26, 2005 [retrieved on Dec. 6, 2006]. Retrieved from the Internet <URL: <http://web.archive.org/web/20051226115851/http://www.promotionalkeychains.biz/usb-keychain-light.html>>.*

Rotatable Card Reader Manufacturer, [online], [retrieved on Jan. 8, 2007]. Retrieved from the Internet <URL: <http://www.globalsources.com/gsol/1/Memory-card/p/bg/1001397133.htm>>.*

* cited by examiner

Primary Examiner—Cathron C Brooks

Assistant Examiner—Karen E Kearney

(74) *Attorney, Agent, or Firm*—Rosenberg, Klein & Lee

(57) **CLAIM**

The ornamental design for a “portable storage device,” as shown and described.

DESCRIPTION

FIG. 1. is a perspective view of a “portable storage device” showing my new design;

FIG. 2 is a front view thereof;

FIG. 3 is a rear view thereof;

FIG. 4 is a left side view thereof;

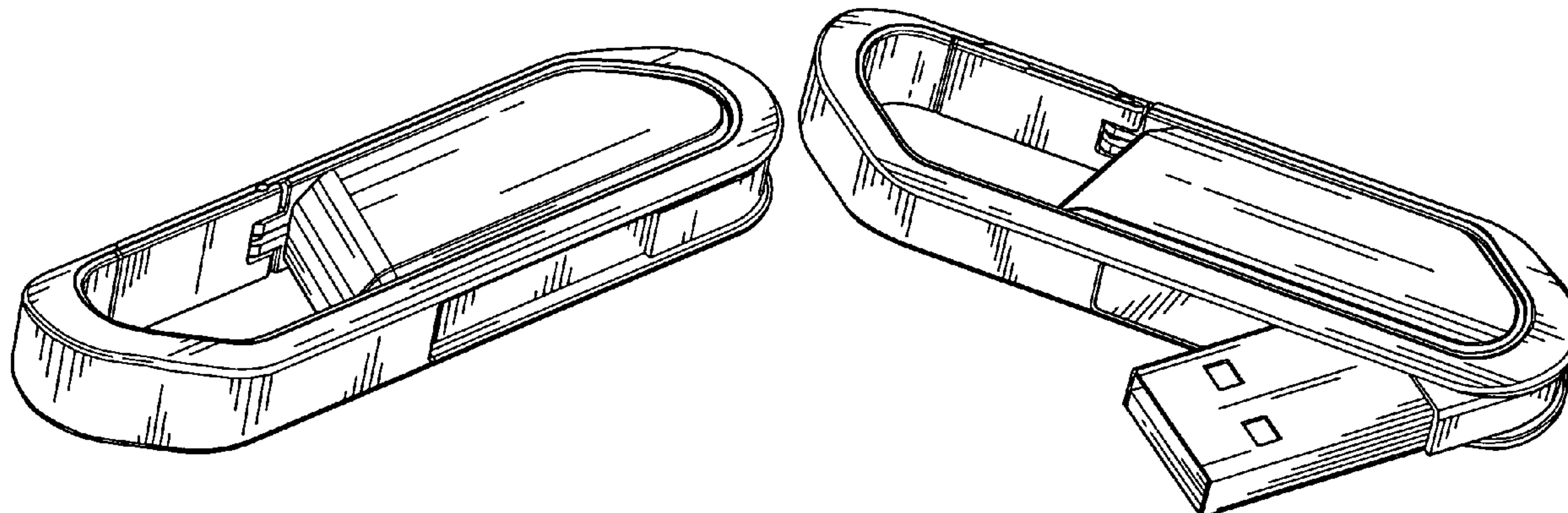
FIG. 5 is a right side view thereof;

FIG. 6 is a top view thereof;

FIG. 7 is a bottom view thereof; and,

FIG. 8 is a perspective view showing the practical usage thereof.

1 Claim, 5 Drawing Sheets



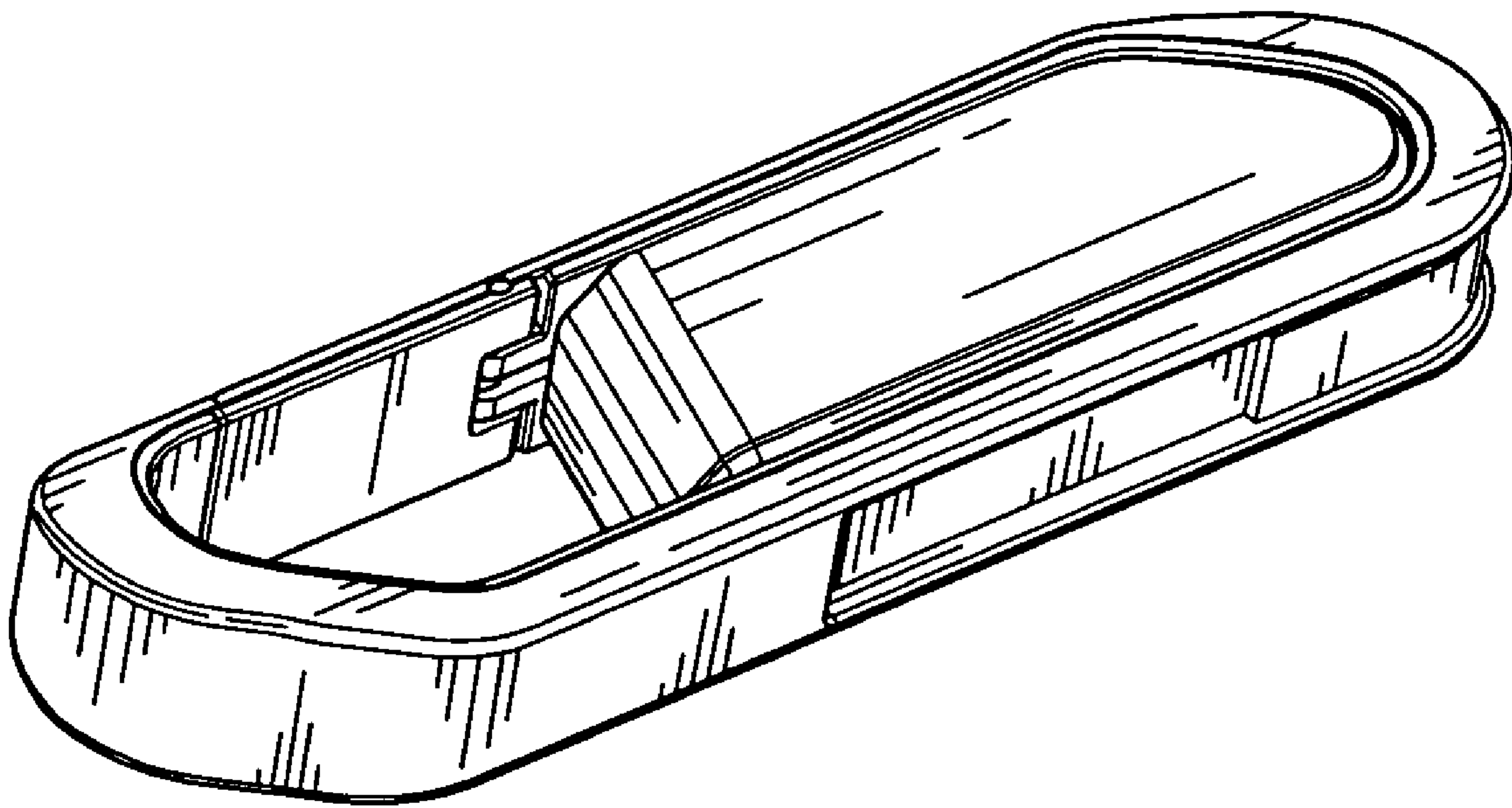


FIG. 1

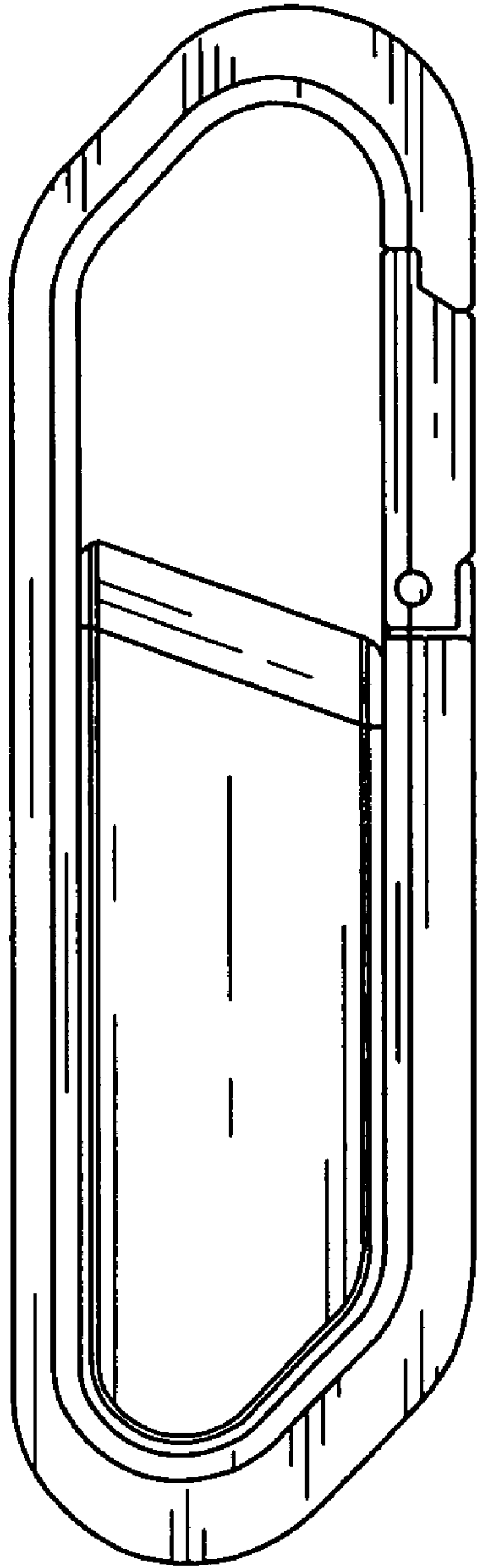


FIG. 2

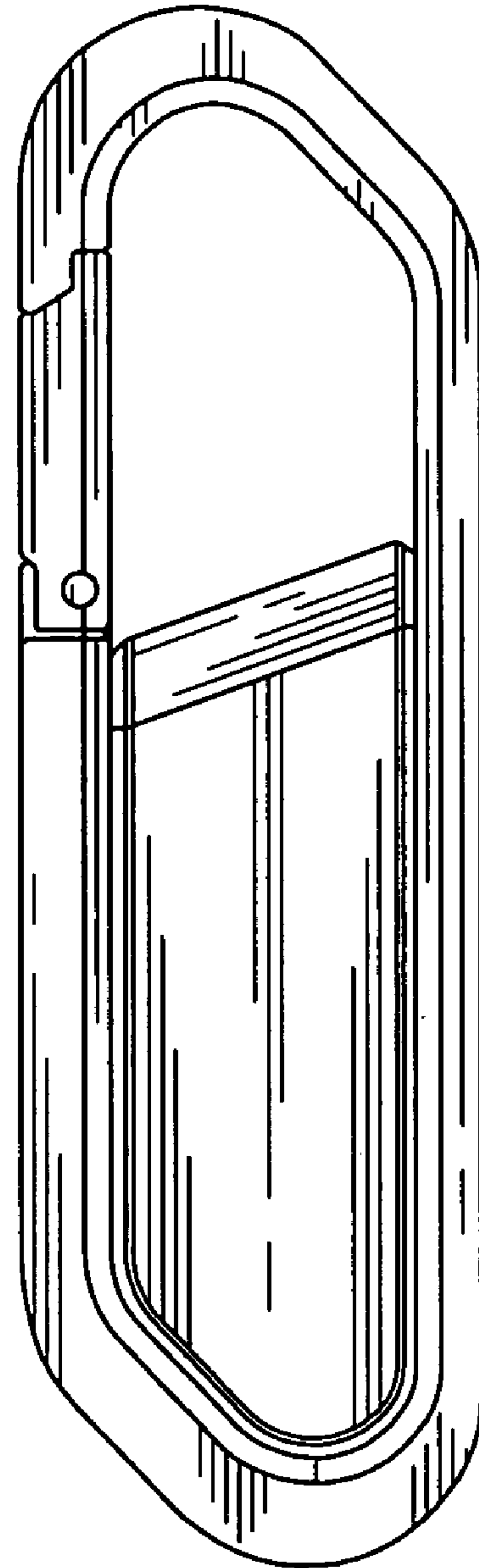


FIG. 3

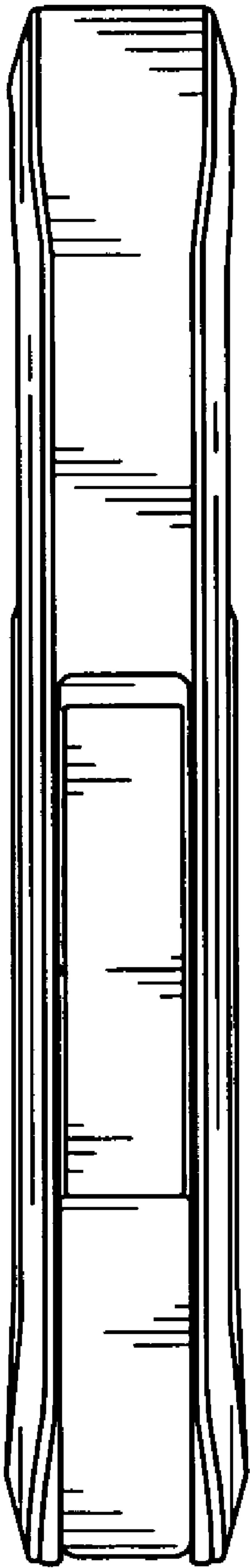


FIG. 4

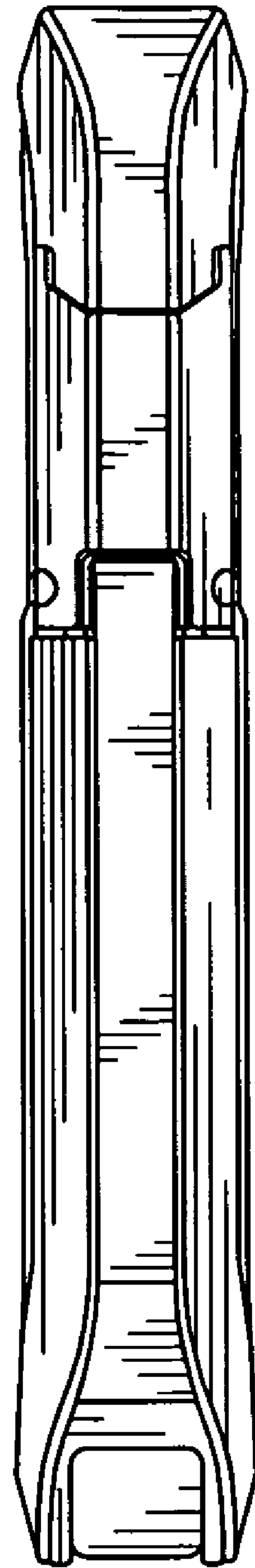


FIG. 5

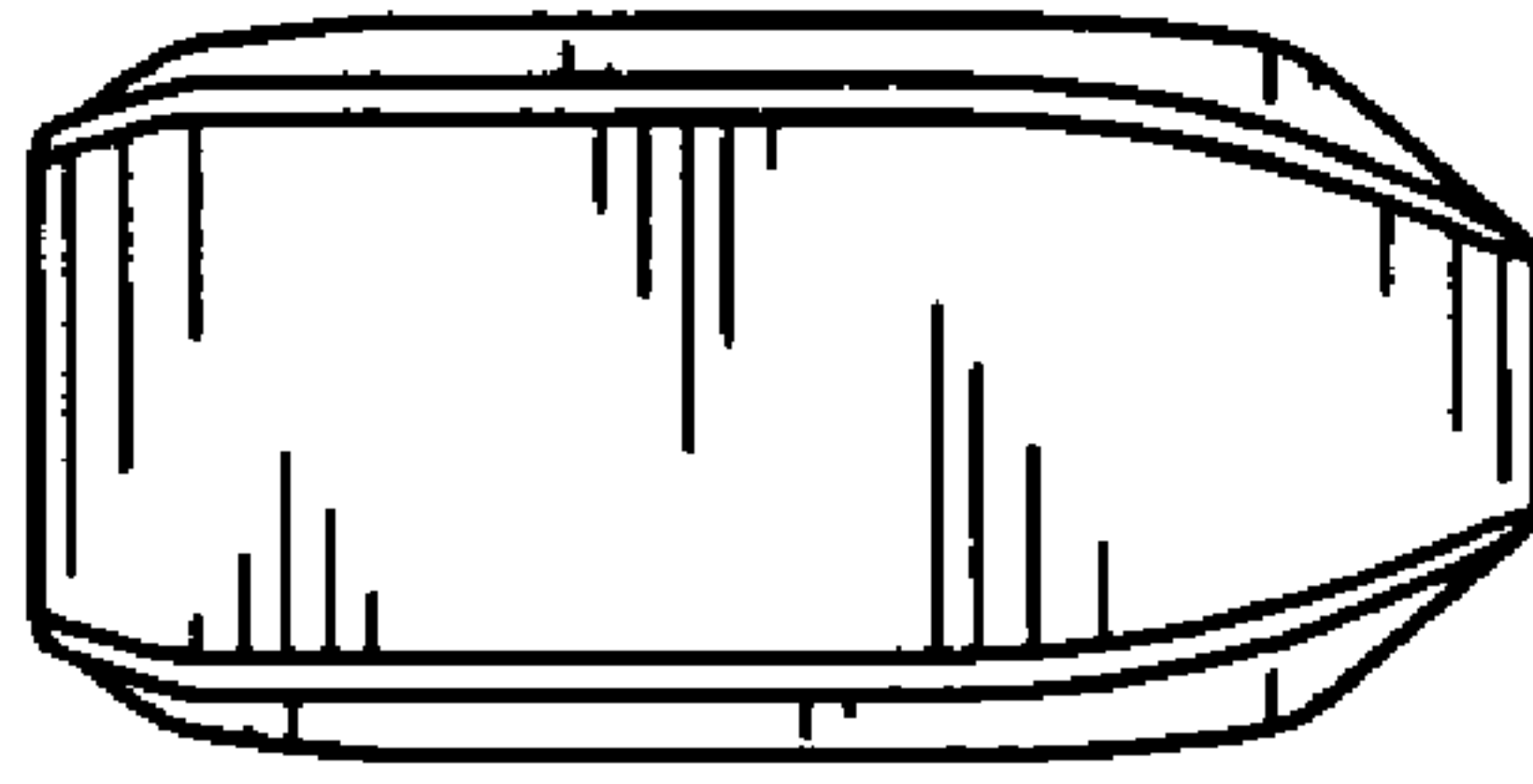


FIG. 6

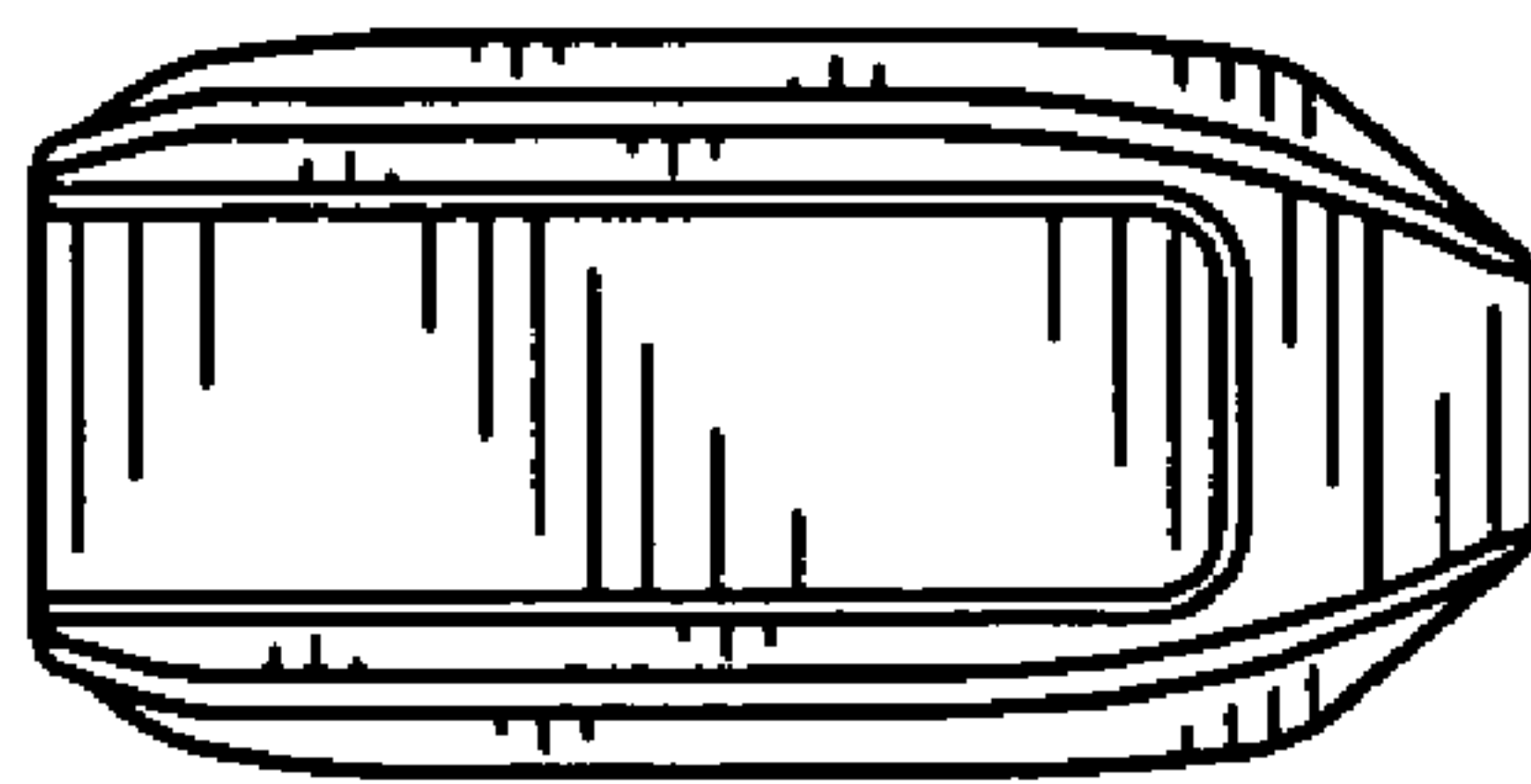


FIG. 7

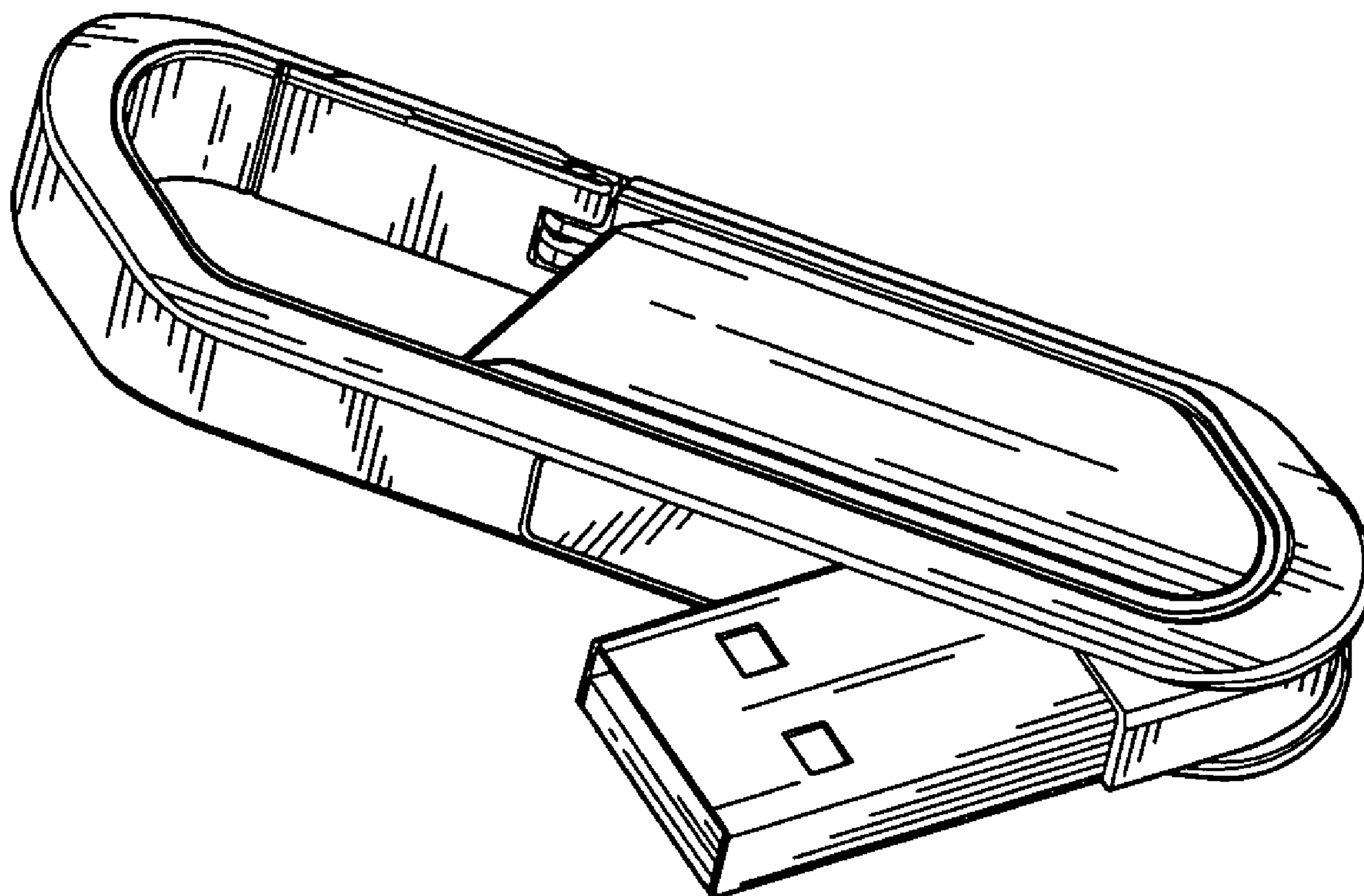


FIG. 8