



US00D606071S

(12) **United States Design Patent**
Wu et al.

(10) **Patent No.:** **US D606,071 S**
(45) **Date of Patent:** **** Dec. 15, 2009**

(54) **TOUCH INTEGRATED COMPUTER**

(75) Inventors: **Chen-Her Wu**, Taipei (TW);
Huang-Yao Hsu, Taipei (TW)

(73) Assignee: **Shuttle Inc.**, Taipei (TW)

(**) Term: **14 Years**

(21) Appl. No.: **29/330,971**

(22) Filed: **Jan. 16, 2009**

(51) **LOC (9) Cl.** **14-02**

(52) **U.S. Cl.** **D14/336; D14/341; D14/371**

(58) **Field of Classification Search** D14/341–346,
D14/125–129, 336, 337, 371, 901, 320; 345/156,
345/168, 169, 172, 173; 341/12; 361/680–686,
361/690–696, 679.15; 348/180, 184, 325,
348/739; 349/1, 2, 11, 62; 709/200; 40/442,
40/800

See application file for complete search history.

(56) **References Cited**

U.S. PATENT DOCUMENTS

D323,324 S *	1/1992	Suda	D14/125
D355,170 S *	2/1995	Mizusugi et al.	D14/336
D356,072 S *	3/1995	Mundt	D14/320
5,712,760 A *	1/1998	Coulon et al.	361/679.15
D408,794 S *	4/1999	Ogasawara	D14/341
D438,201 S *	2/2001	Ogawa et al.	D14/336
D464,050 S *	10/2002	Mori	D14/375
D466,500 S *	12/2002	Lo et al.	D14/336

D481,726 S *	11/2003	Olson et al.	D14/375
D506,195 S *	6/2005	Leveridge et al.	D14/341
D538,800 S *	3/2007	Zhang et al.	D14/331
D539,797 S *	4/2007	Chiang et al.	D14/337
2004/0228076 A1 *	11/2004	Clapper	361/681

* cited by examiner

Primary Examiner—Freda S Nunn

(74) *Attorney, Agent, or Firm*—Muncy, Geissler, Olds & Lowe, PLLC

(57) **CLAIM**

The ornamental design for “touch integrated computer,” as shown and described.

DESCRIPTION

FIG. 1 is a perspective view of “touch integrated computer” showing my new design thereof;

FIG. 2 is a right side elevation view thereof;

FIG. 3 is a top plan view thereof;

FIG. 4 is a front side elevation view thereof;

FIG. 5 is a bottom plan view thereof;

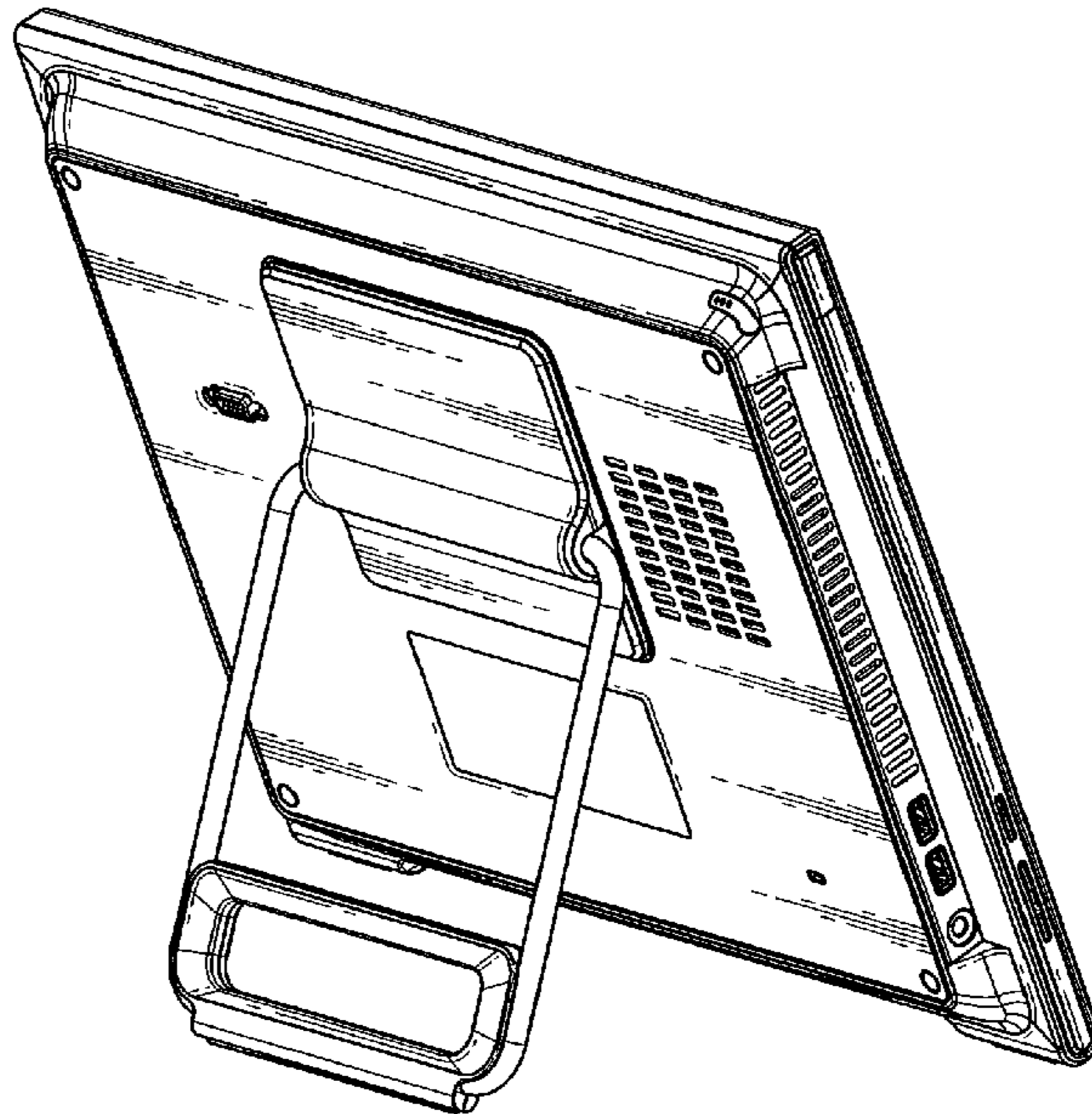
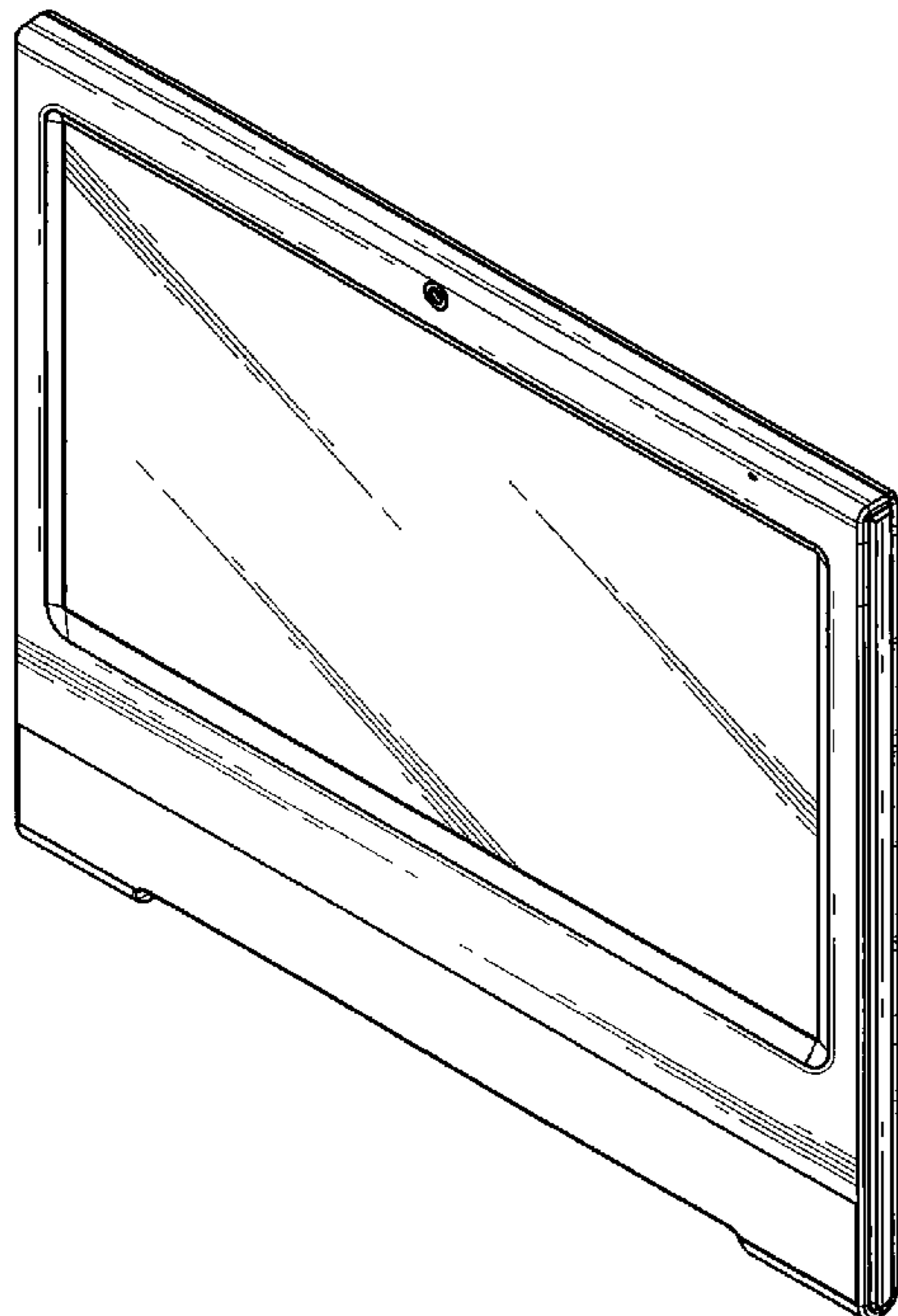
FIG. 6 is a left side elevation view thereof;

FIG. 7 is a rear side elevation view thereof;

FIG. 8 is a perspective view thereof showing the stand in one position; and,

FIG. 9 is a perspective view thereof showing the stand in a second position.

1 Claim, 6 Drawing Sheets



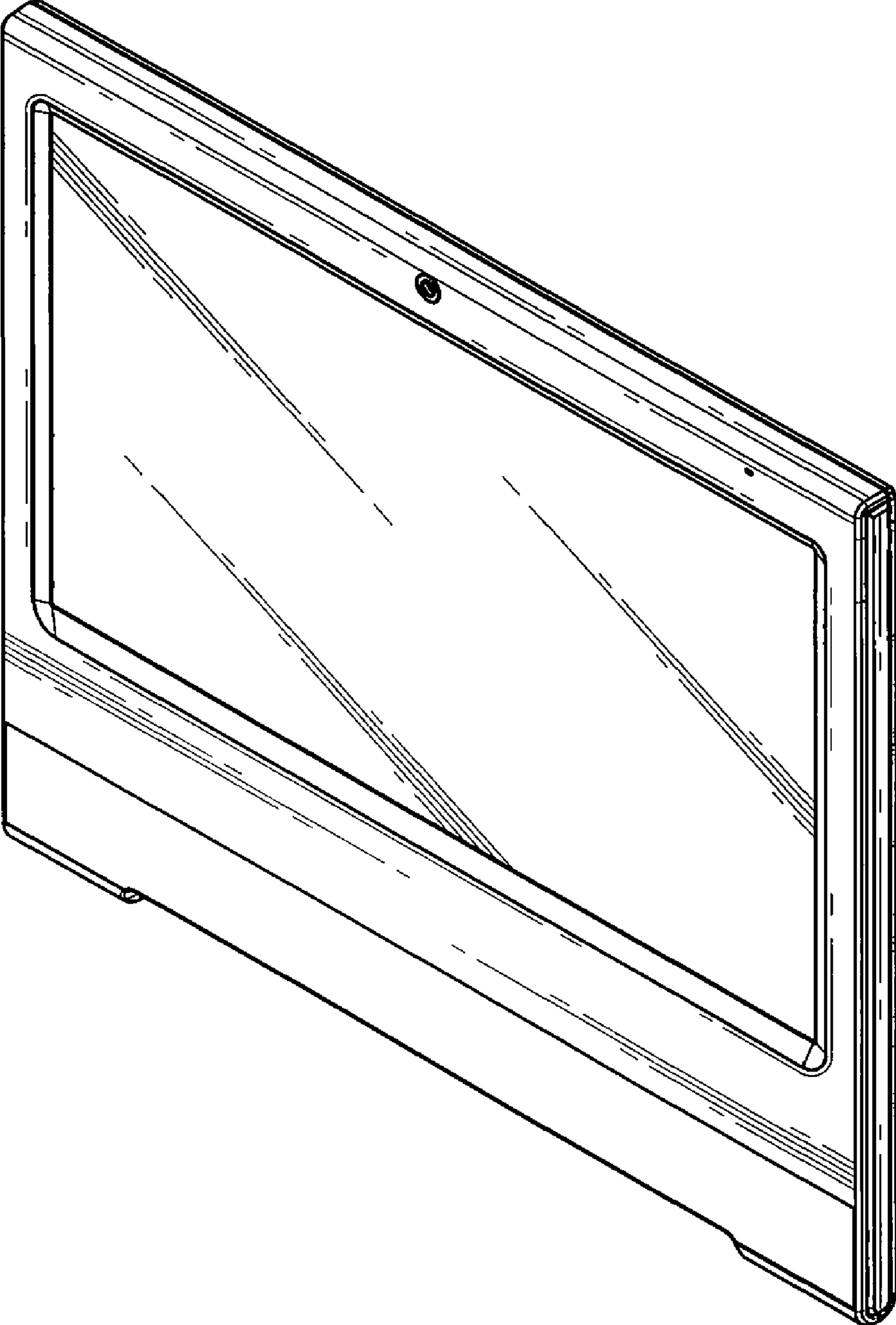


Fig. 1

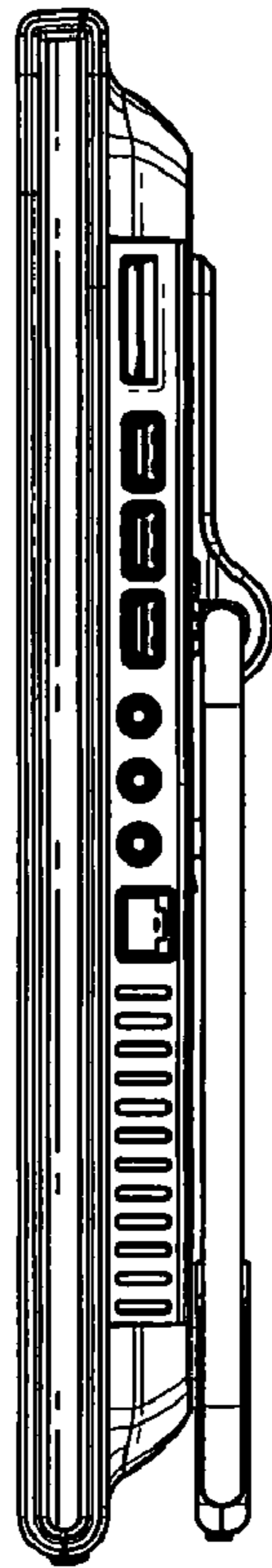


Fig. 2

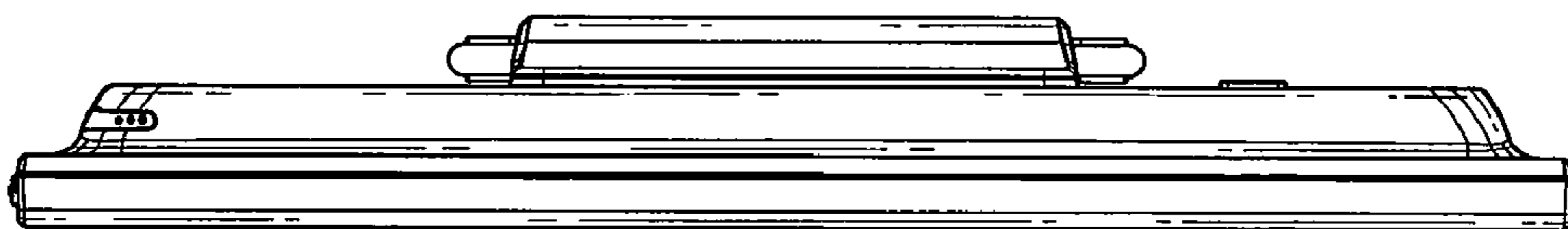


Fig. 3



Fig. 4

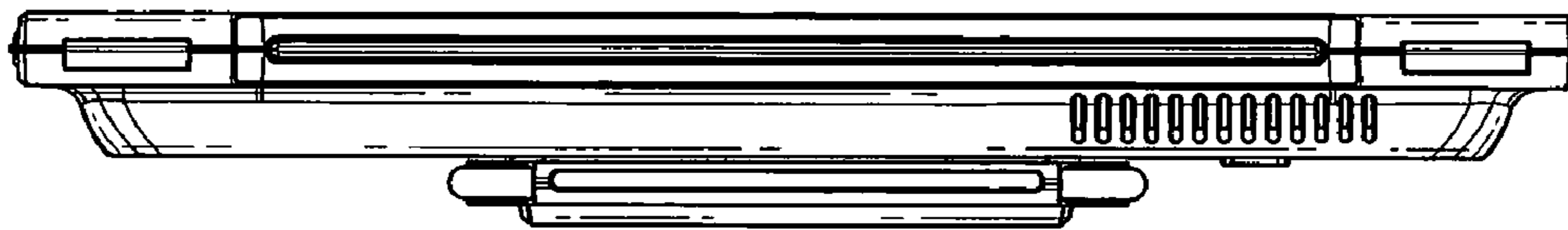


Fig. 5

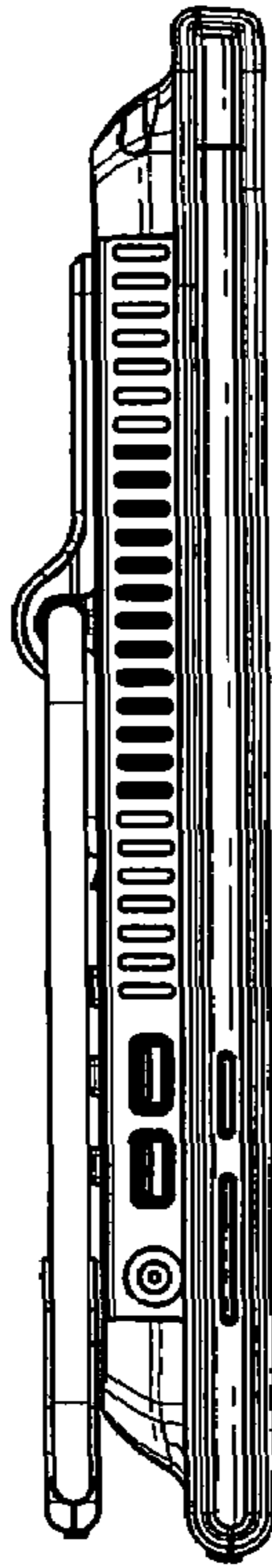


Fig. 6

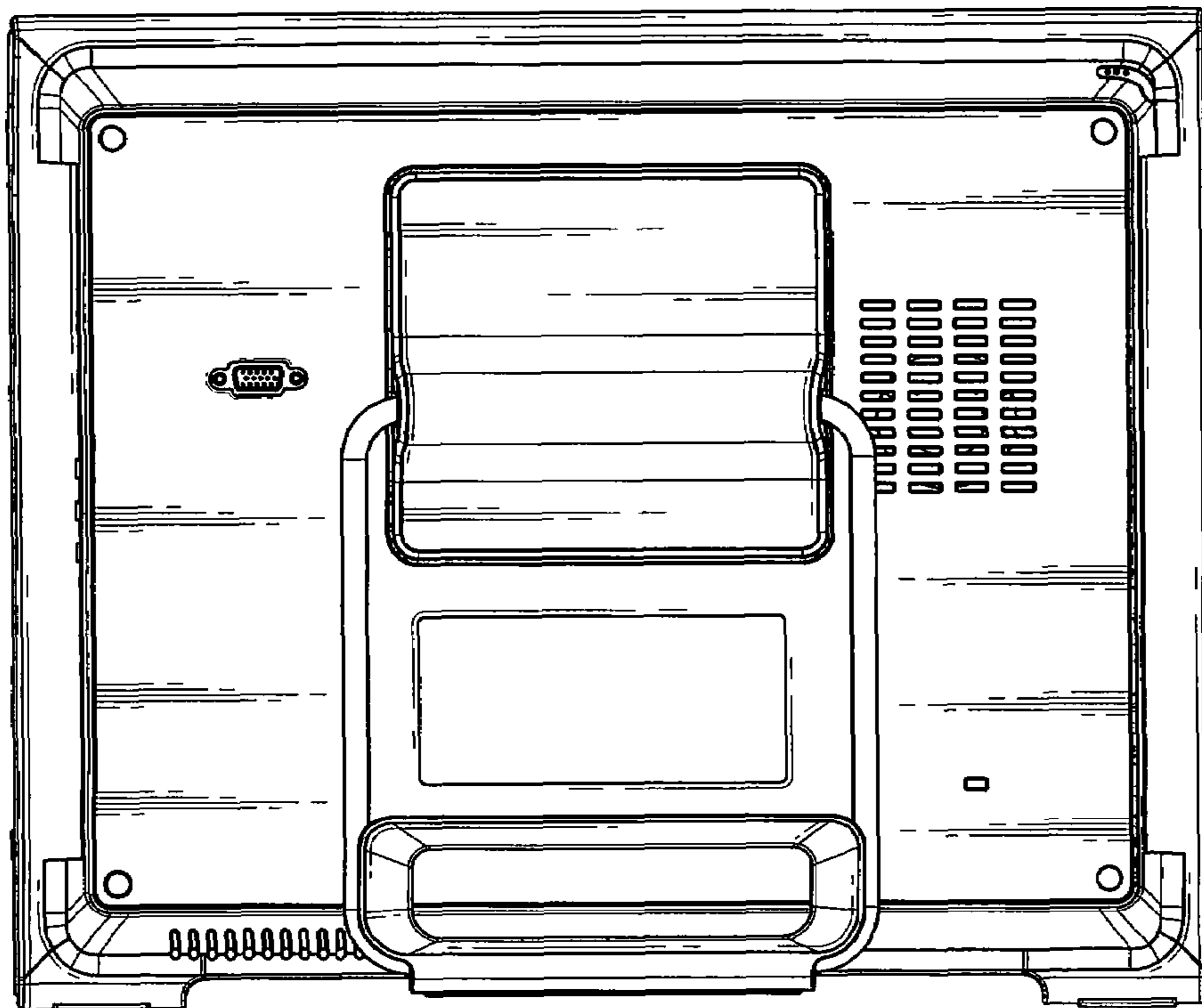


Fig. 7

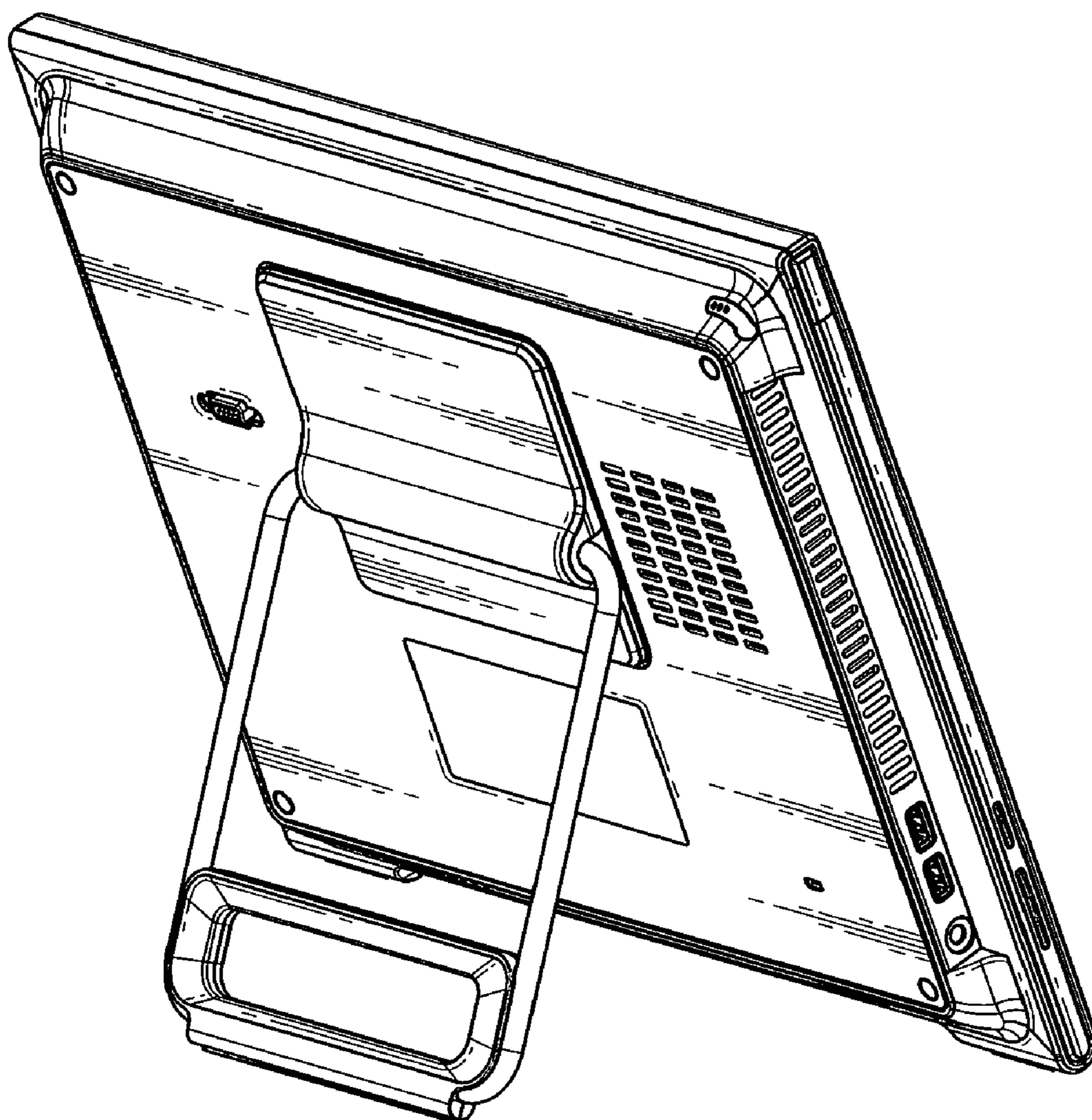


Fig. 8

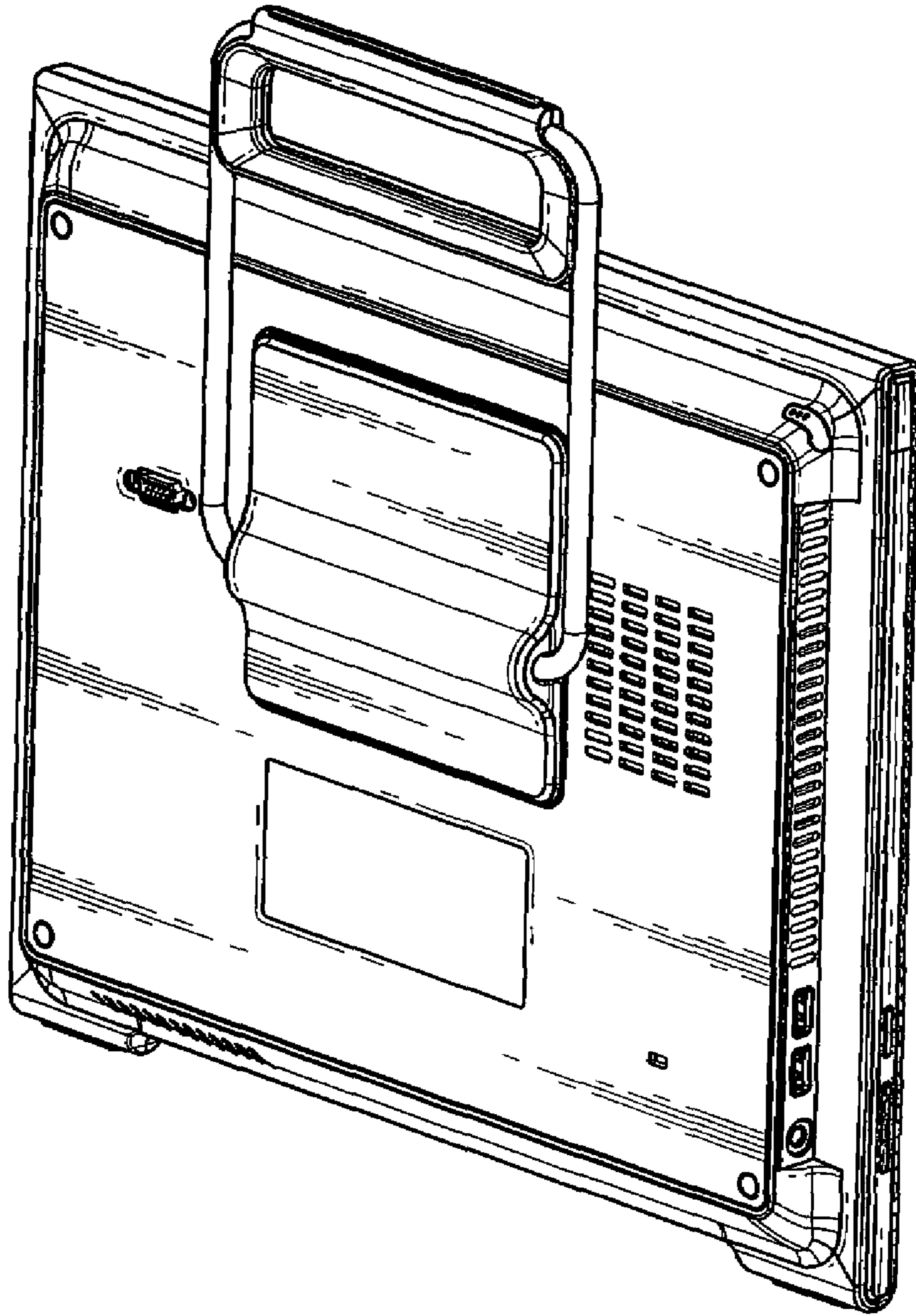


Fig. 9