



US00D606070S

(12) **United States Design Patent**
Heck et al.

(10) **Patent No.:** **US D606,070 S**
(45) **Date of Patent:** **** Dec. 15, 2009**

(54) **NOTEBOOK COMPUTER**

(75) Inventors: **Felix Heck**, Munich (DE); **Jung-Hwan Hong**, Seoul (KR)

(73) Assignee: **Samsung Electronics Co., Ltd.**,
Kyunggi-do (KR)

(**) Term: **14 Years**

(21) Appl. No.: **29/313,605**

(22) Filed: **Jan. 26, 2009**

(51) **LOC (9) Cl.** **14-02**

(52) **U.S. Cl.** **D14/315**

(58) **Field of Classification Search** D14/315-328;
D18/1, 2, 7, 11; 235/145 A, 145 R; 341/22,
341/23; 345/104, 156, 168, 169, 173, 87,
345/901-905; 361/680-686, 679.27; 400/486,
400/489; 710/14

See application file for complete search history.

(56) **References Cited**

U.S. PATENT DOCUMENTS

D335,870 S	5/1993	Yun	
D336,465 S	6/1993	Kim	
D338,457 S	8/1993	Kim	
D348,442 S	7/1994	Yoon	
6,067,224 A *	5/2000	Nobuchi	361/679.27
D492,678 S	7/2004	Kim et al.	
D523,010 S	6/2006	Paek et al.	
D523,431 S	6/2006	Yoon	
D523,851 S	6/2006	Jeong et al.	
D523,852 S	6/2006	Kim et al.	
D524,306 S	7/2006	Yun et al.	
D524,307 S	7/2006	Kim et al.	

(Continued)

OTHER PUBLICATIONS

U.S. Appl. No. 29/312,890, Applicant: Byeong-Yong Song, et al.,
filed Nov. 19, 2008 entitled Notebook Computer.

U.S. Appl. No. 29/312,892, Applicant: Seung-Wook Jeong, et al.,
filed Nov. 19, 2008 entitled Notebook Computer.

U.S. Appl. No. 29/313,325, Applicant: Jung-Hwan Hong, et al., filed
Dec. 26, 2008 entitled Notebook Computer.

U.S. Appl. No. 29/313,322, Applicant: Jung-Hwan Hong, et al., filed
Dec. 26, 2008 entitled Notebook Computer.

U.S. Appl. No. 29/313,321, Applicant: Jung-Hwan Hong, et al., filed
Dec. 26, 2008 entitled Notebook Computer.

U.S. Appl. No. 29/313,326, Applicant: Jung-Hwan Hong, et al., filed
Dec. 26, 2008 entitled Notebook Computer.

U.S. Appl. No. 29/313,320, Applicant: Se-O Lee, filed Dec. 26, 2008
entitled Notebook Computer.

U.S. Appl. No. 29/313,324, Applicant: Sang-Won Yoon, filed Dec.
26, 2008 entitled Notebook Computer.

U.S. Appl. No. 29/313,323, Applicant: Sang-Won Yoon, filed Dec.
26, 2008 entitled Notebook Computer.

U.S. Appl. No. 29/313,319, Applicant: Seung-Hyun Paek, filed Dec.
26, 2008 entitled Notebook Computer.

U.S. Appl. No. 29/313,604, Applicant: Felix Heck, et al., filed Jan.
26, 2009 entitled Notebook Computer.

U.S. Appl. No. 29/313,601, Applicant: Seung-Hyun Paek, filed Jan.
26, 2009 entitled Notebook Computer.

Primary Examiner—Freda S Nunn

(74) *Attorney, Agent, or Firm*—Flynn, Thiel, Boutell & Tanis,
P.C.

(57) **CLAIM**

The ornamental design for a notebook computer, as shown
and described.

DESCRIPTION

FIG. 1 is a top front perspective view of a notebook computer
showing our new design;

FIG. 2 is a front elevational view thereof;

FIG. 3 is a rear elevational view thereof;

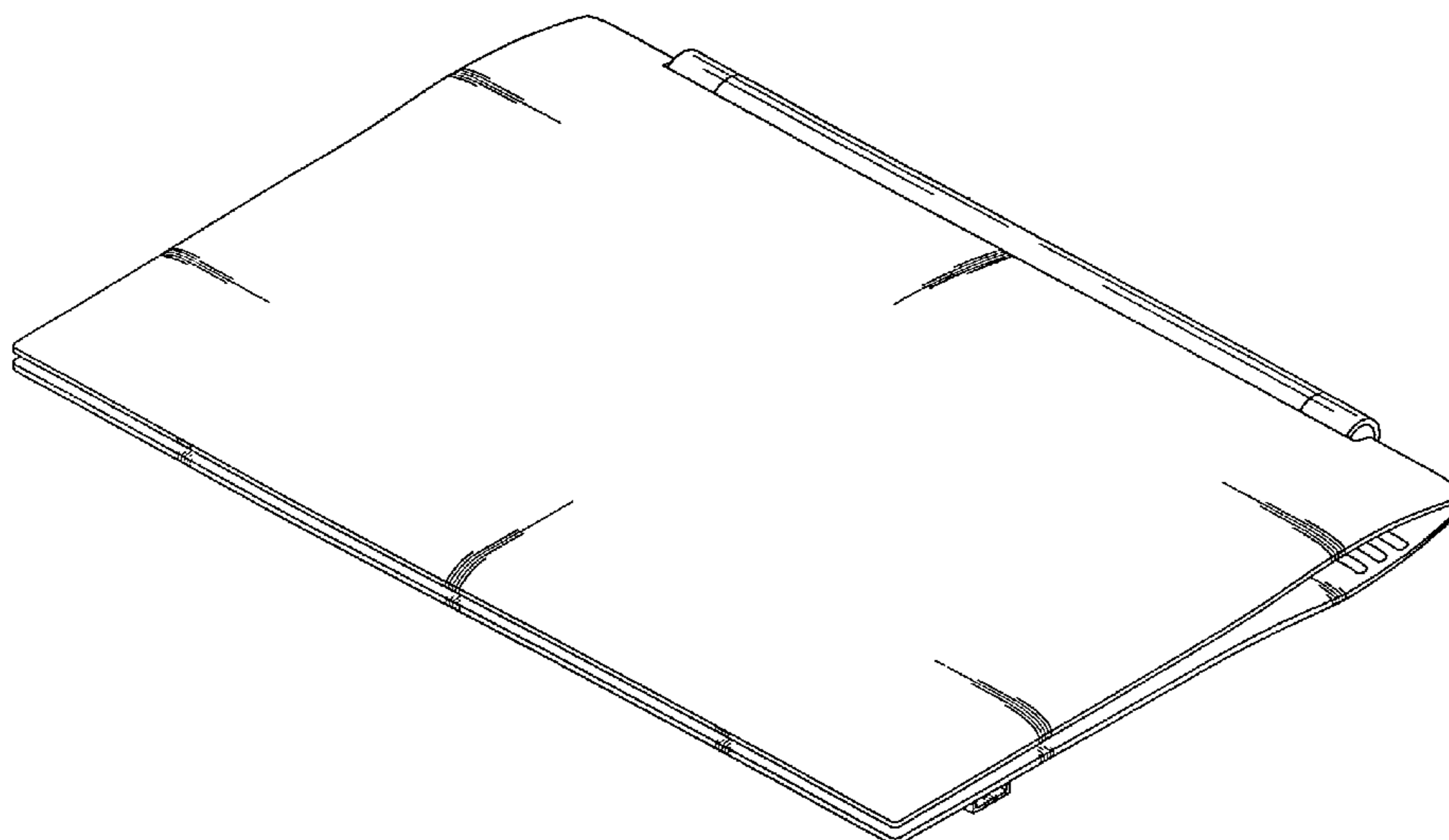
FIG. 4 is a left side elevational view thereof;

FIG. 5 is a right side elevational view thereof;

FIG. 6 is a top plan view thereof; and,

FIG. 7 is a bottom plan view thereof.

1 Claim, 4 Drawing Sheets



US D606,070 S

Page 2

U.S. PATENT DOCUMENTS

D535,652 S	1/2007	Lee et al.	D578,525 S	10/2008	Yoon	
D547,309 S	7/2007	Yoon	D580,432 S	11/2008	Yun et al.	
D547,310 S	7/2007	Yoon	D586,343 S	2/2009	Lee et al.	
D556,192 S	11/2007	Jeong et al.	D586,796 S	2/2009	Lee et al.	
D567,236 S	4/2008	Yoon	D586,797 S	2/2009	Kawase et al.	
D578,523 S	10/2008	Yoon	2005/0018396 A1 *	1/2005	Nakajima et al.	361/683
D578,524 S	10/2008	Yoon	2005/0041378 A1 *	2/2005	Hamada et al.	361/680

* cited by examiner

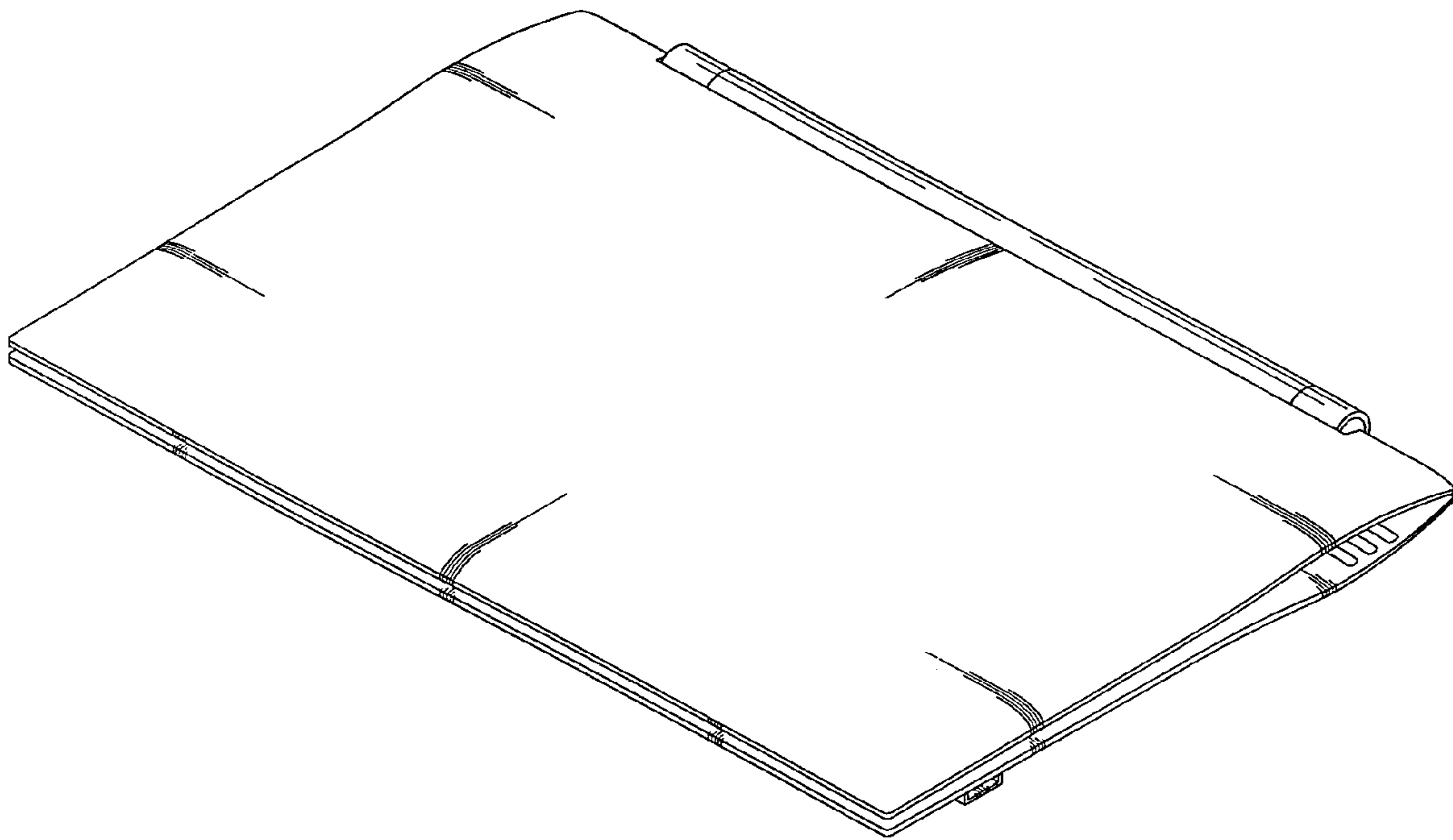


FIG. 1

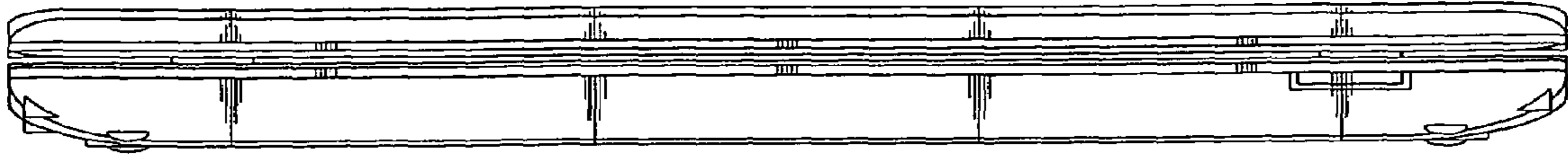


FIG. 2

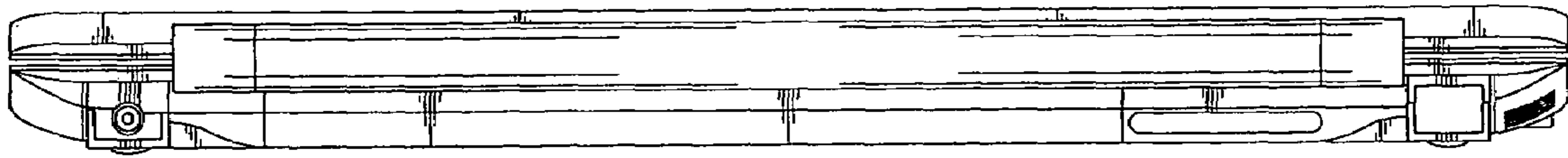


FIG. 3

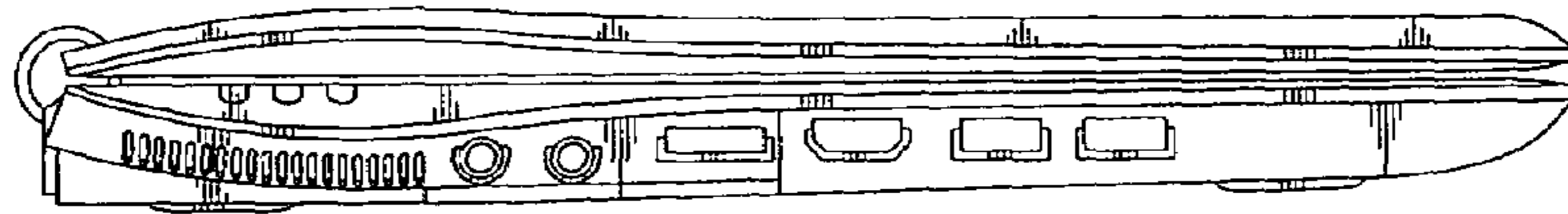


FIG. 4

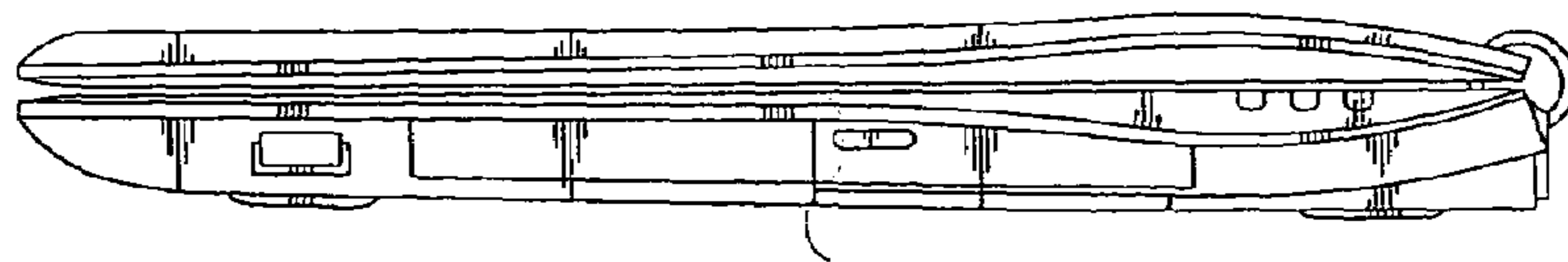


FIG. 5

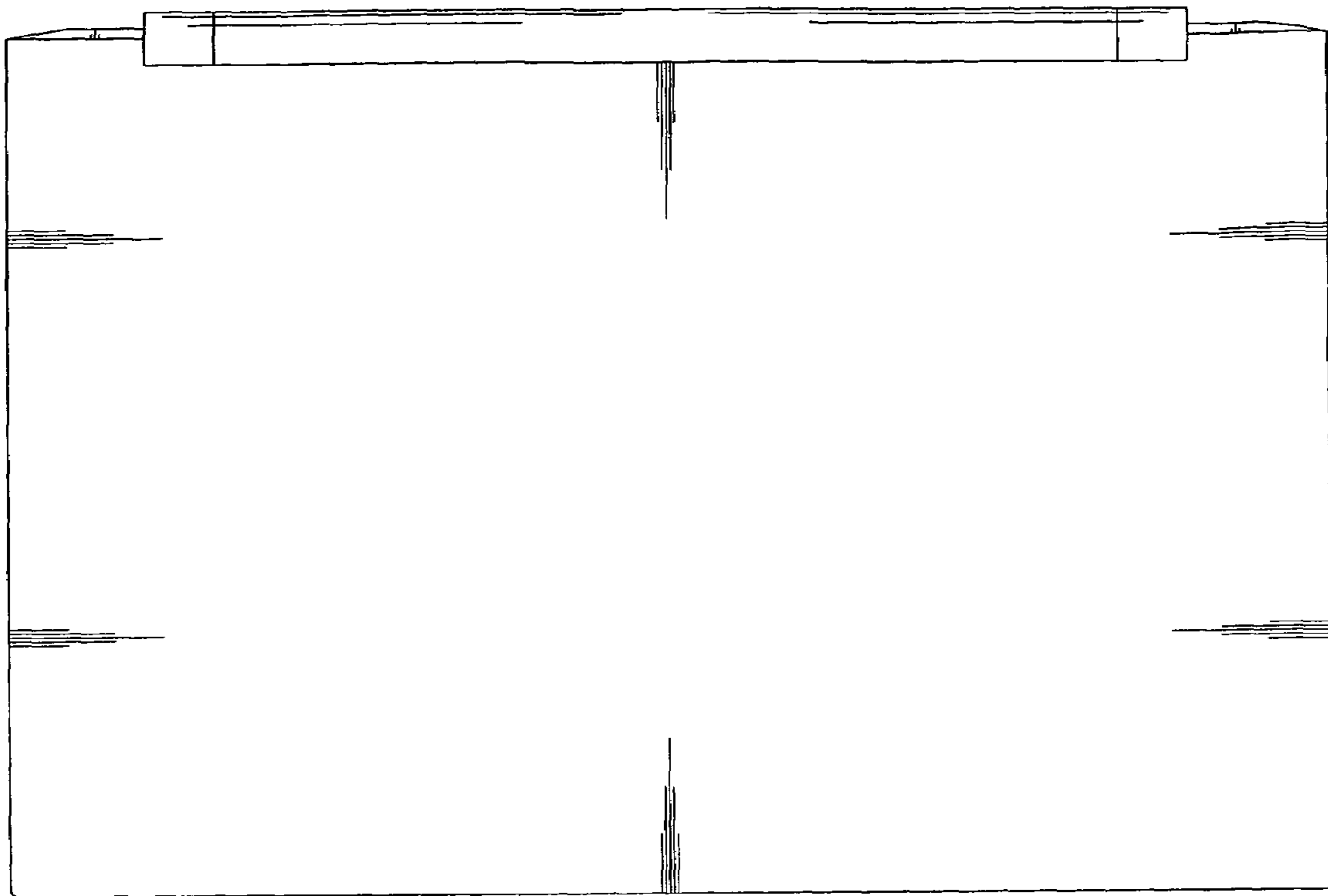


FIG.6

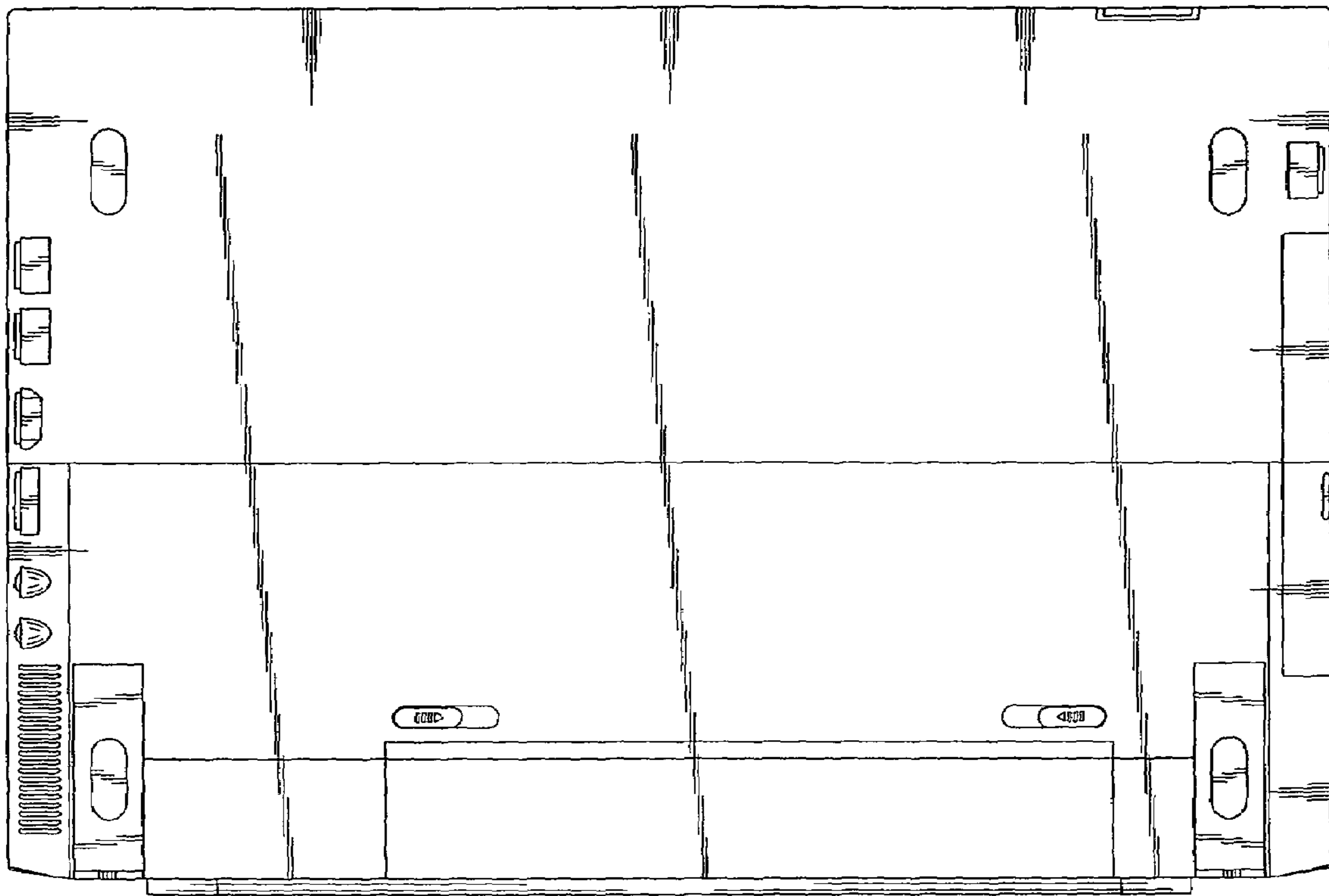


FIG. 7