



US00D606068S

(12) **United States Design Patent**  
**Hong et al.**

(10) **Patent No.:** **US D606,068 S**

(45) **Date of Patent:** **\*\* Dec. 15, 2009**

(54) **NOTEBOOK COMPUTER**

(75) Inventors: **Jung-Hwan Hong**, Seoul (KR);  
**Myung-Jung Kim**, Kyunggi-do (KR)

(73) Assignee: **Samsung Electronics Co., Ltd.**,  
Kyunggi-do (KR)

(\*\*) Term: **14 Years**

(21) Appl. No.: **29/313,325**

(22) Filed: **Dec. 26, 2008**

(51) **LOC (9) Cl.** ..... **14-02**

(52) **U.S. Cl.** ..... **D14/315**

(58) **Field of Classification Search** ..... D14/315-328;  
D18/1, 2, 7, 11; 235/145 A, 145 R; 341/22,  
341/23; 345/104, 156, 168, 169, 173, 87,  
345/901-905; 361/680-686, 679.27; 400/486,  
400/489; 710/14

See application file for complete search history.

(56) **References Cited**

**U.S. PATENT DOCUMENTS**

D335,870 S	5/1993	Yun	
D336,465 S	6/1993	Kim	
D338,457 S	8/1993	Kim	
D348,442 S	7/1994	Yoon	
6,067,224 A *	5/2000	Nobuchi	361/679.27
D492,678 S	7/2004	Kim et al.	
D523,010 S	6/2006	Paek et al.	
D523,431 S	6/2006	Yoon	
D523,851 S	6/2006	Jeong et al.	
D523,852 S	6/2006	Kim et al.	
D524,306 S	7/2006	Yun et al.	
D524,307 S	7/2006	Kim et al.	
D535,652 S	1/2007	Lee et al.	
D547,309 S	7/2007	Yoon	
D547,310 S	7/2007	Yoon	
D556,192 S	11/2007	Jeong et al.	
D567,236 S	4/2008	Yoon	
D578,523 S	10/2008	Yoon	

D578,524 S	10/2008	Yoon	
D578,525 S	10/2008	Yoon	
D580,432 S	11/2008	Yun et al.	
2005/0018396 A1 *	1/2005	Nakajima et al.	361/683
2005/0041378 A1 *	2/2005	Hamada et al.	361/680

**OTHER PUBLICATIONS**

U.S. Appl. No. 29/301,708, Applicant: Se-O Lee, et al., filed Mar. 13, 2008 entitled Notebook Computer.  
 U.S. Appl. No. 29/301,707, Applicant: Se-O Lee, et al, filed Mar. 13, 2008 entitled Notebook Computer.  
 U.S. Appl. No. 29/301,709, Applicant: Atsushi Kawase, et al., filed Mar. 13, 2008 entitled Notebook Computer.  
 U.S. Appl. No. 29/312,890, Applicant: Byeong-Yong Song, et al., filed Nov. 19, 2008 entitled Notebook Computer.  
 U.S. Appl. No. 29/312,892, Applicant: Seung-Wook Jeong, et al., filed Nov. 19, 2008 entitled Notebook Computer.  
 U.S. Appl. No. 29/313,322, Applicant: Jung-Hwan Hong, et al., filed Dec. 26, 2008 entitled Notebook Computer.

(Continued)

*Primary Examiner*—Freda S Nunn  
 (74) *Attorney, Agent, or Firm*—Flynn, Thiel, Boutell & Tanis, P.C.

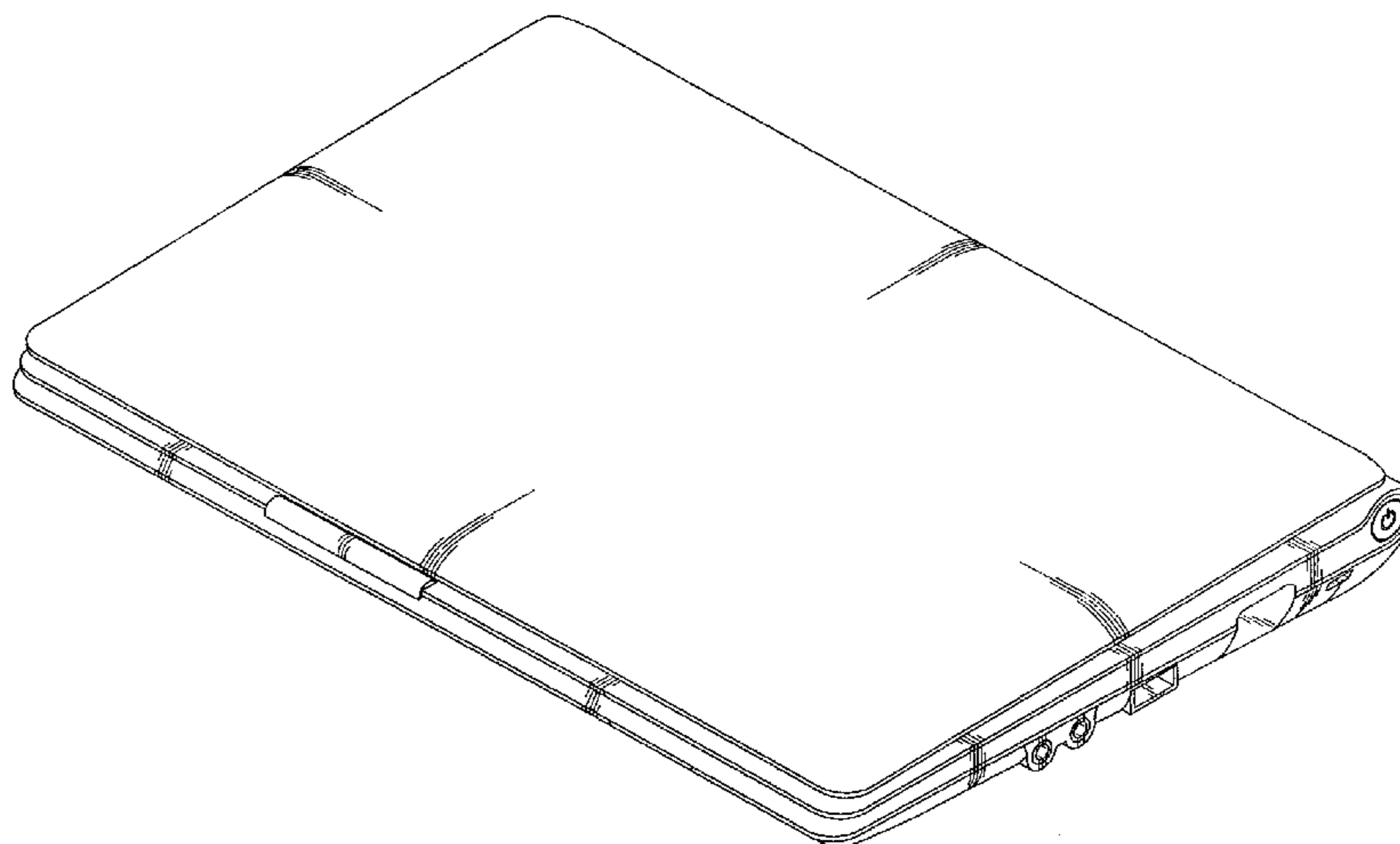
(57) **CLAIM**

We claim the ornamental design for a notebook computer, as shown and described.

**DESCRIPTION**

FIG. 1 is a top front perspective view of a notebook computer showing our new design;  
 FIG. 2 is a front elevational view thereof;  
 FIG. 3 is a rear elevational view thereof;  
 FIG. 4 is a left side elevational view thereof;  
 FIG. 5 is a right side elevational view thereof;  
 FIG. 6 is a top plan view thereof; and,  
 FIG. 7 is a bottom plan view thereof.

**1 Claim, 4 Drawing Sheets**



OTHER PUBLICATIONS

U.S. Appl. No. 29/313,321, Applicant: Jung-Hwan Hong, et al., filed Dec. 26, 2008 entitled Notebook Computer.

U.S. Appl. No. 29/313,320, Applicant: Se-O Lee, filed Dec. 26, 2008 entitled Notebook Computer.

U.S. Appl. No. 29/313,326, Applicant: Jung-Hwan Hong, et al., filed Dec. 26, 2008 entitled Notebook Computer.

U.S. Appl. No. 29/313,324, Applicant: Sang-Won Yoon, filed Dec. 26, 2008 entitled Notebook Computer.

U.S. Appl. No. 29/313,323, Applicant: Sang-Won Yoon, filed Dec. 26, 2008 entitled Notebook Computer.

U.S. Appl. No. 29/313,319, Applicant: Seung-Hyun Paek, filed Dec. 26, 2008 entitled Notebook Computer.

\* cited by examiner

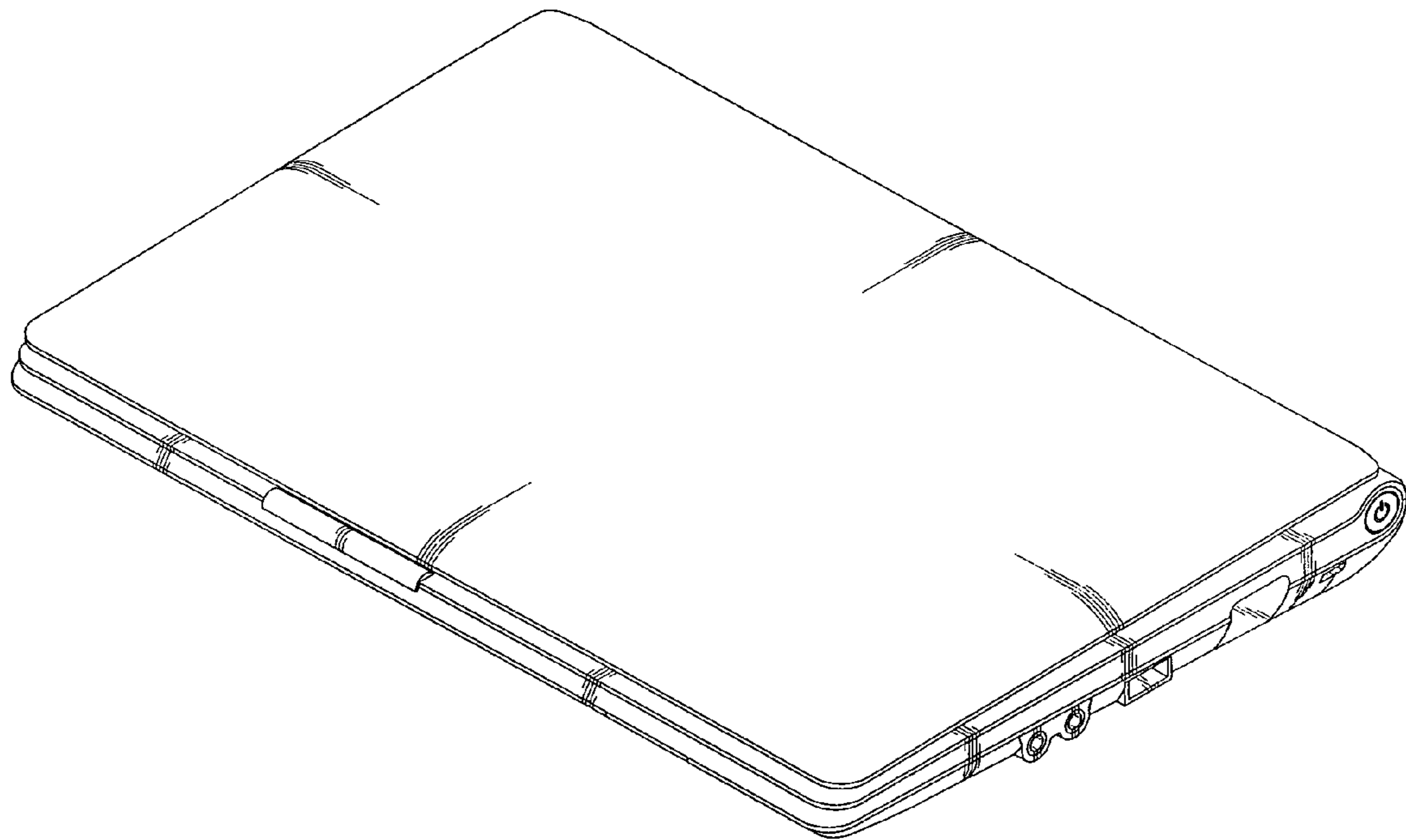


FIG. 1



FIG. 2

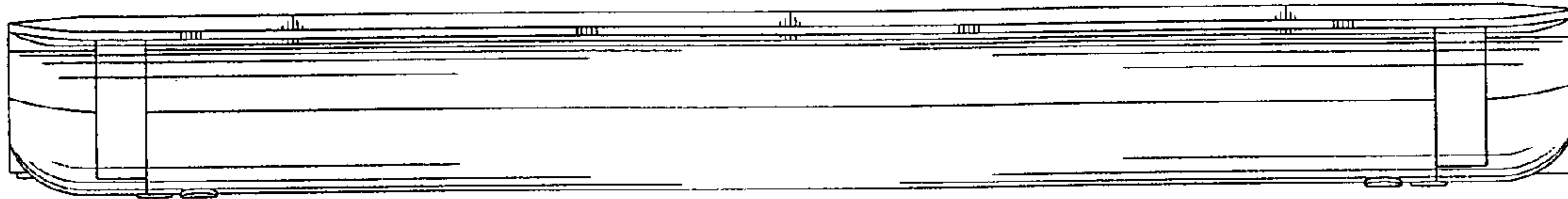


FIG. 3

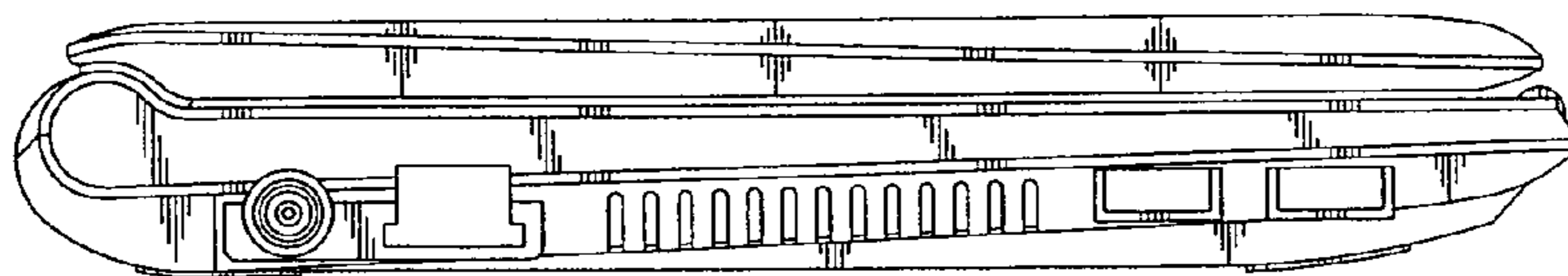


FIG. 4

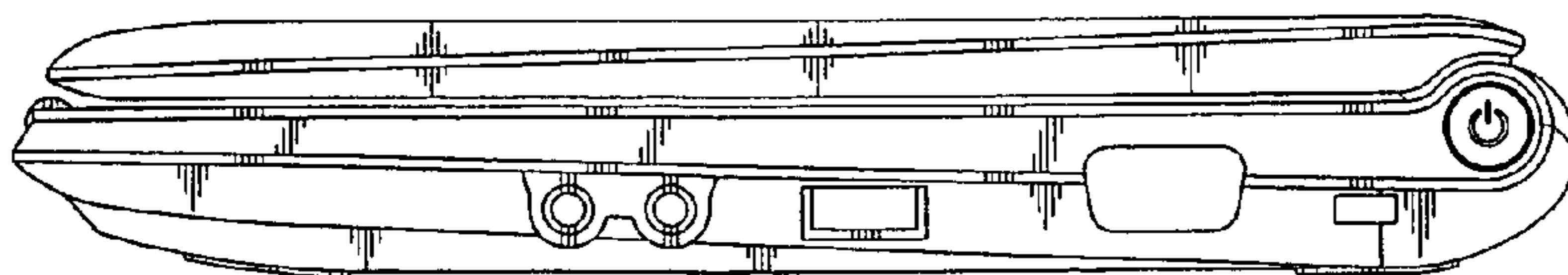


FIG. 5

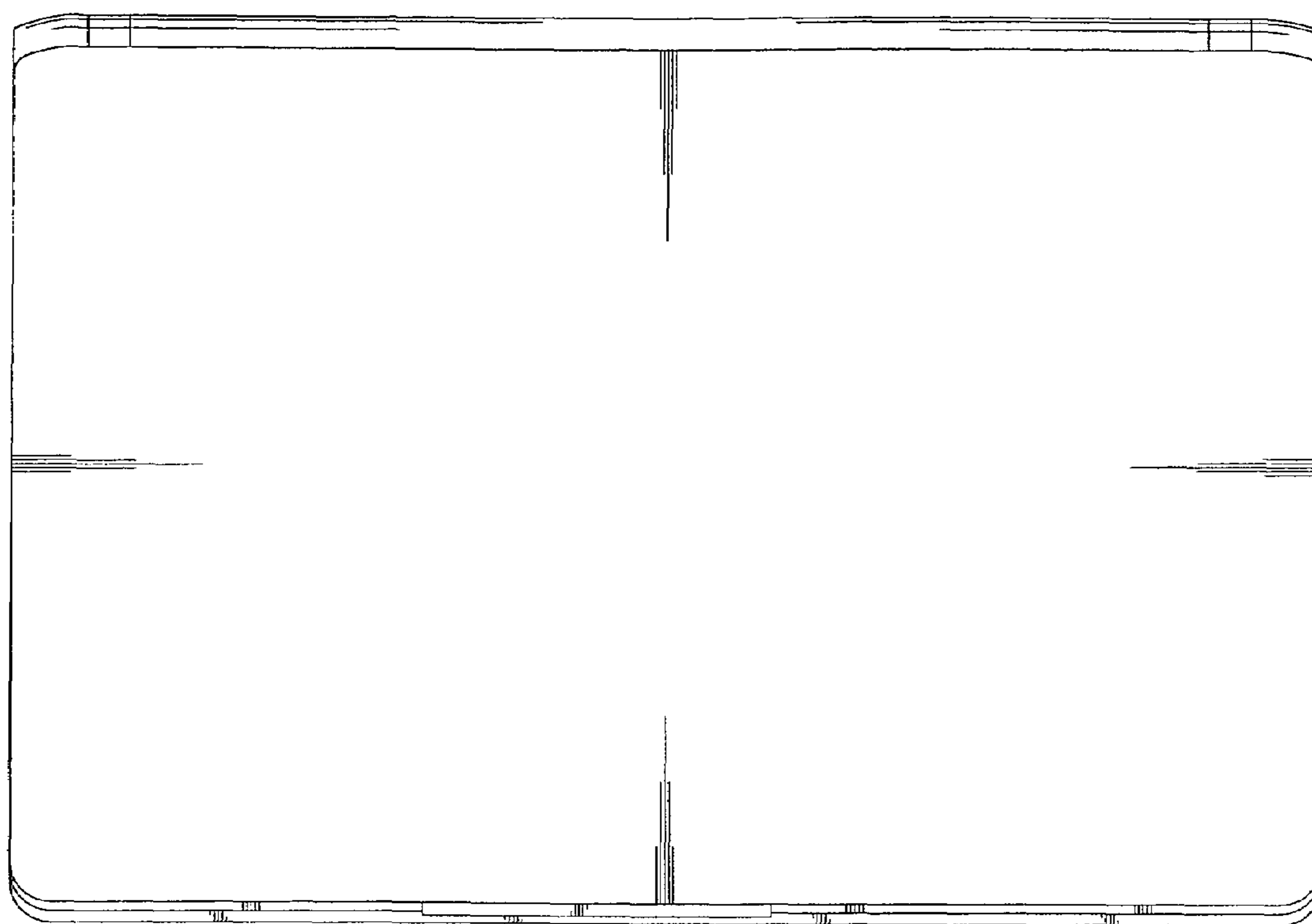


FIG. 6

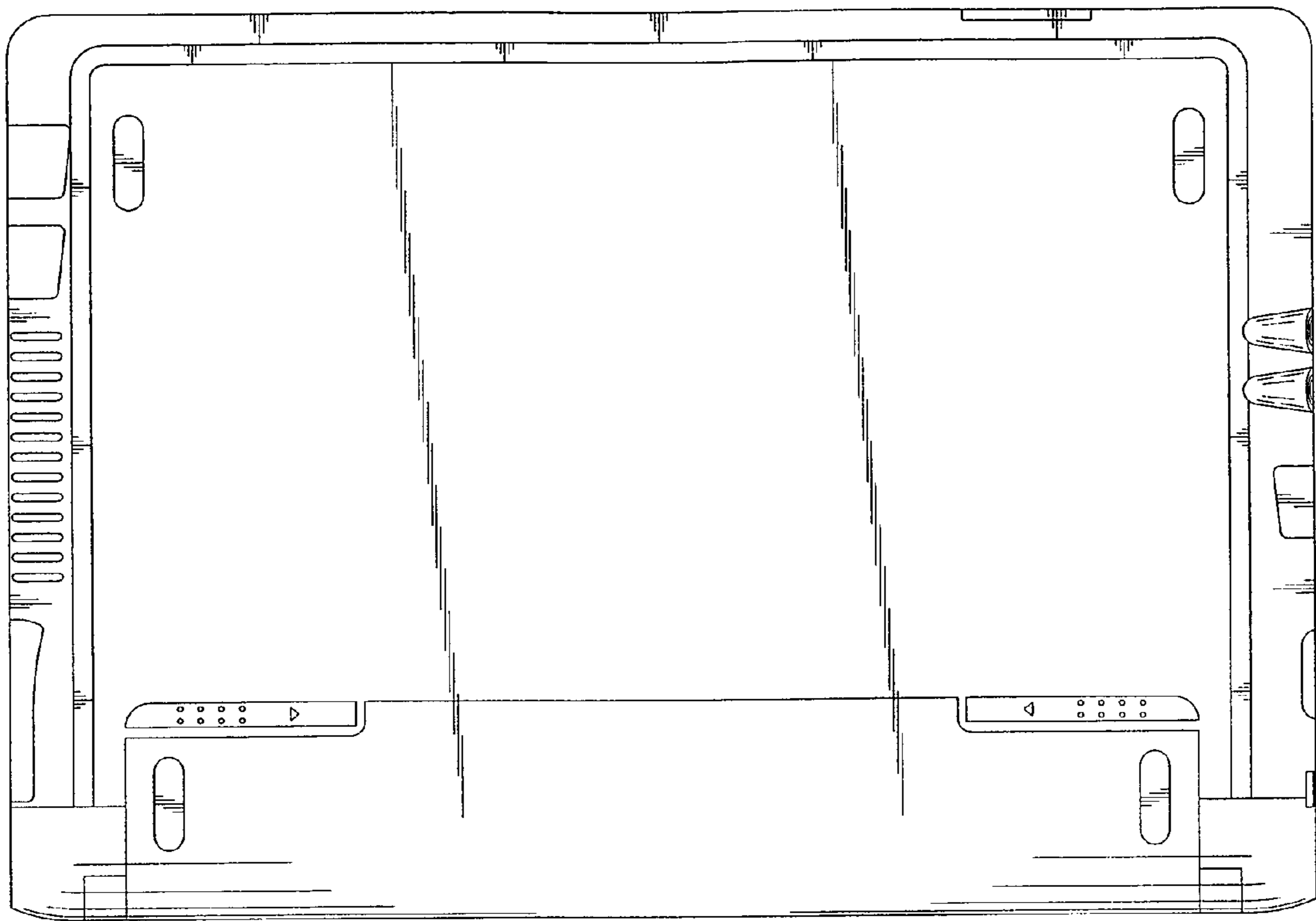


FIG. 7