



US00D606065S

(12) **United States Design Patent**
Rihu

(10) **Patent No.:** **US D606,065 S**
(45) **Date of Patent:** **** Dec. 15, 2009**

(54) **HOLDER FOR A HANDSET**

2005/0279902 A1* 12/2005 Richter 248/316.4

(75) Inventor: **Veikko Rihu**, Turku (FI)

FOREIGN PATENT DOCUMENTS

(73) Assignee: **Nokia Corporation**, Espoo (FI)

WO DM/054425 * 12/2000
WO DM/070795 * 6/2008

(**) Term: **14 Years**

OTHER PUBLICATIONS

(21) Appl. No.: **29/319,843**

Soft Release Universal Cell Phone Holder With Photo Frame,
<URL:http://www.cellphoneshop.net/softrelease.html>, retrieved
from internet Sep. 7, 2009.*

(22) Filed: **Jun. 16, 2008**

* cited by examiner

(51) **LOC (9) Cl.** **14-03**

(52) **U.S. Cl.** **D14/253**

(58) **Field of Classification Search** D14/149,
D14/250-253, 299, 452, 454, 447, 140, 142,
D14/240, 242, 434; D8/363, 373; D12/415;
248/206.2-206.4, 220.21, 279.1; 379/426,
379/446, 454, 455; D13/107-108; D3/218;
D16/242

Primary Examiner—Ian Simmons

Assistant Examiner—Carla Jobe Wright

(74) *Attorney, Agent, or Firm*—Banner & Witcoff, Ltd.

See application file for complete search history.

(57) **CLAIM**

The ornamental design for a holder for a handset, as shown
and described.

(56) **References Cited**

DESCRIPTION

U.S. PATENT DOCUMENTS

FIG. 1 is a perspective view of a holder for a handset showing
my new design;

- D320,022 S * 9/1991 Watanabe et al. D14/251
- 5,694,468 A * 12/1997 Hsu 379/446
- D390,849 S * 2/1998 Richter et al. D14/253
- D411,542 S * 6/1999 Richter D14/253
- D431,250 S * 9/2000 Richter D14/447
- D432,121 S * 10/2000 Chen D14/253
- D456,024 S * 4/2002 Richter D14/434
- D456,395 S * 4/2002 Lehtovaara D14/253
- D462,677 S * 9/2002 Eroma D14/253
- D471,547 S 3/2003 Ruohonen
- D529,905 S * 10/2006 Richter D14/253
- D530,713 S * 10/2006 Richter D14/253
- D532,004 S 11/2006 Kettula et al.
- D535,988 S 1/2007 Kettula et al.
- D566,118 S * 4/2008 Brassard D14/434
- D577,358 S 9/2008 Kettula et al.

FIG. 2 is a front view thereof;

FIG. 3 is a rear view thereof;

FIG. 4 is a right side view thereof;

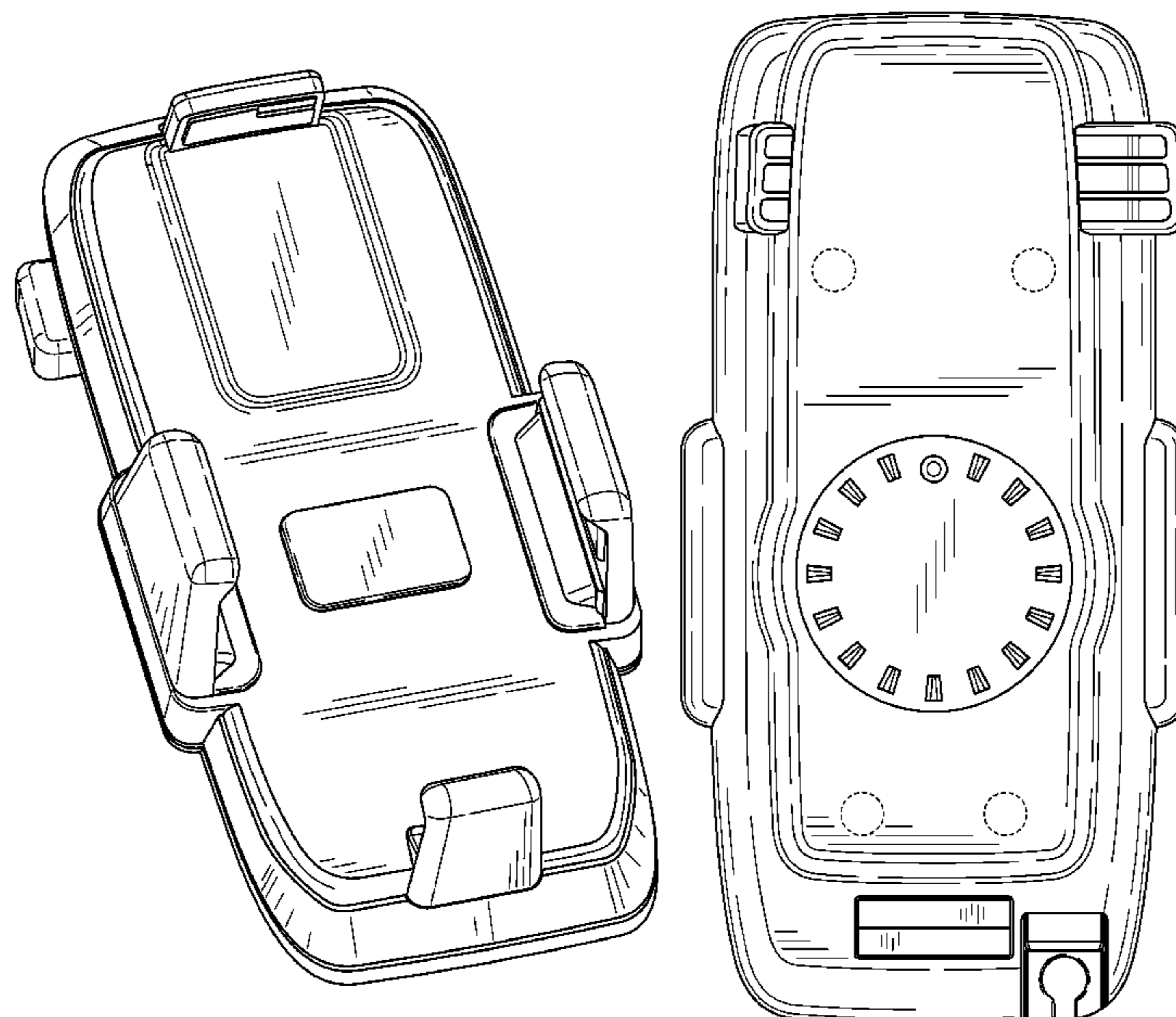
FIG. 5 is a left side view thereof;

FIG. 6 is a top view thereof; and,

FIG. 7 is a bottom view thereof.

The broken lines that show the periphery of nonclaimed fea-
tures on the rear of the holder in FIG. 3 represent boundaries
of the claimed design. The broken lines and unshaded regions
that are defined by broken lines form no part of the claimed
design.

1 Claim, 5 Drawing Sheets



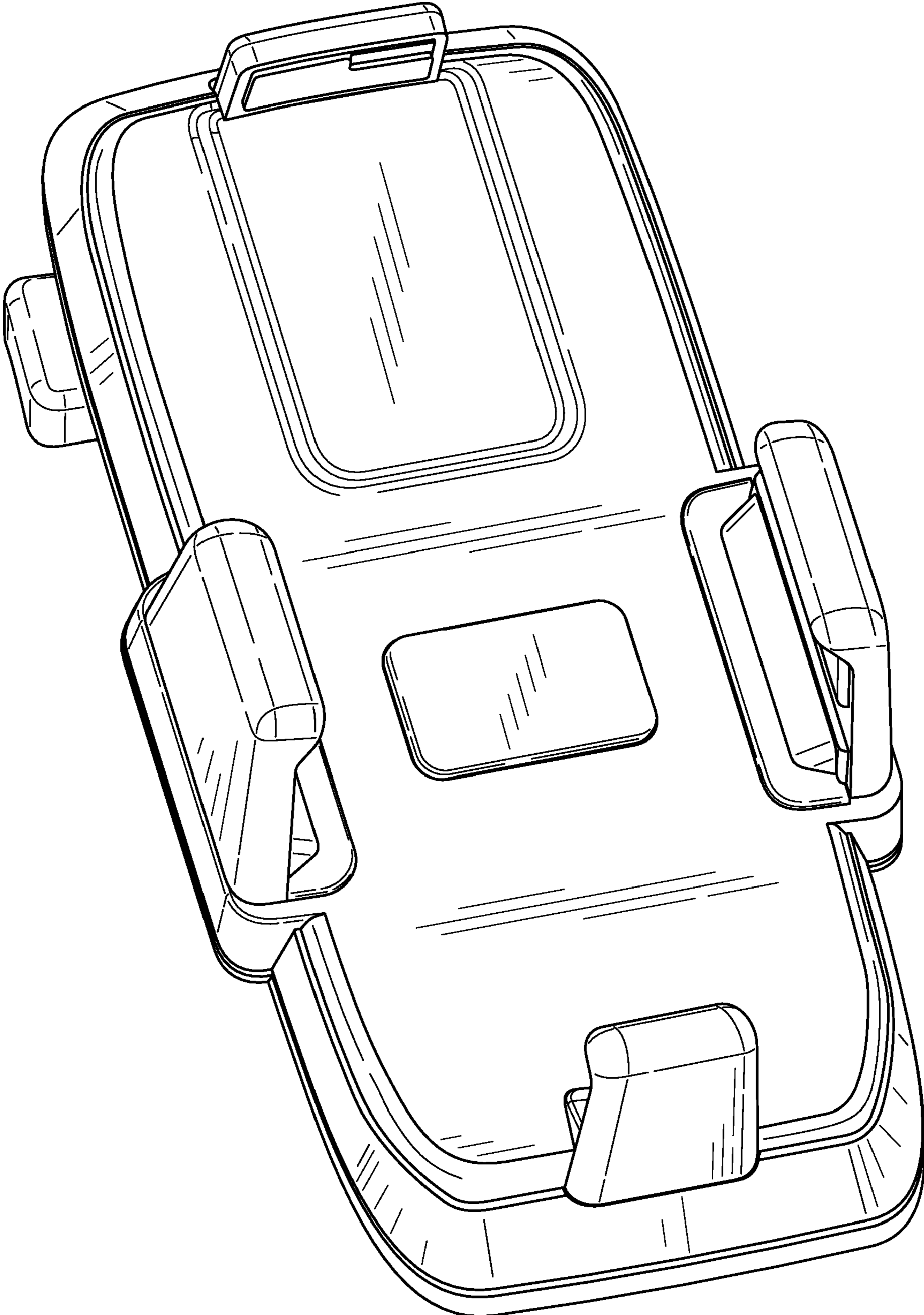


FIG. 1

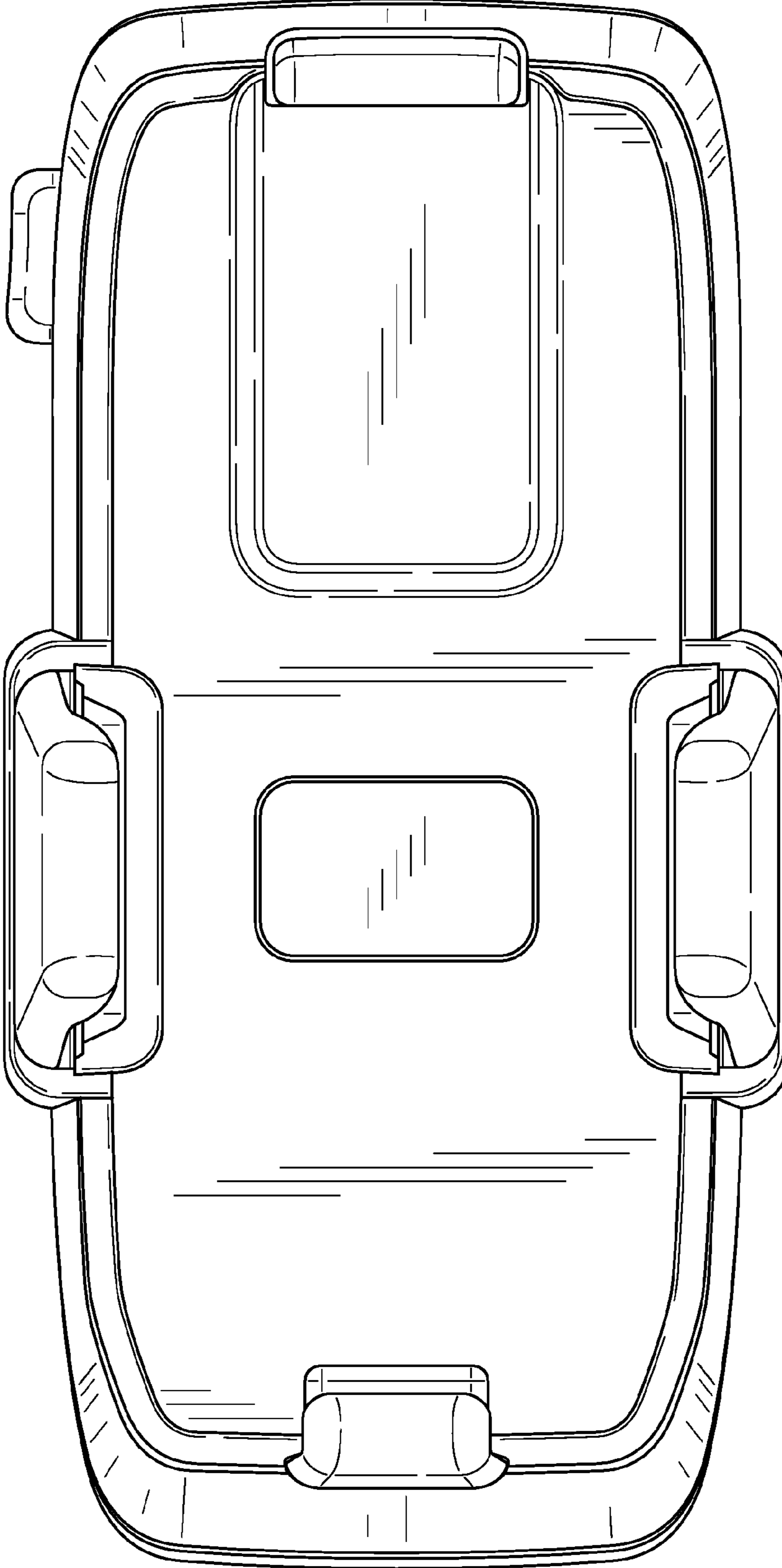


FIG. 2

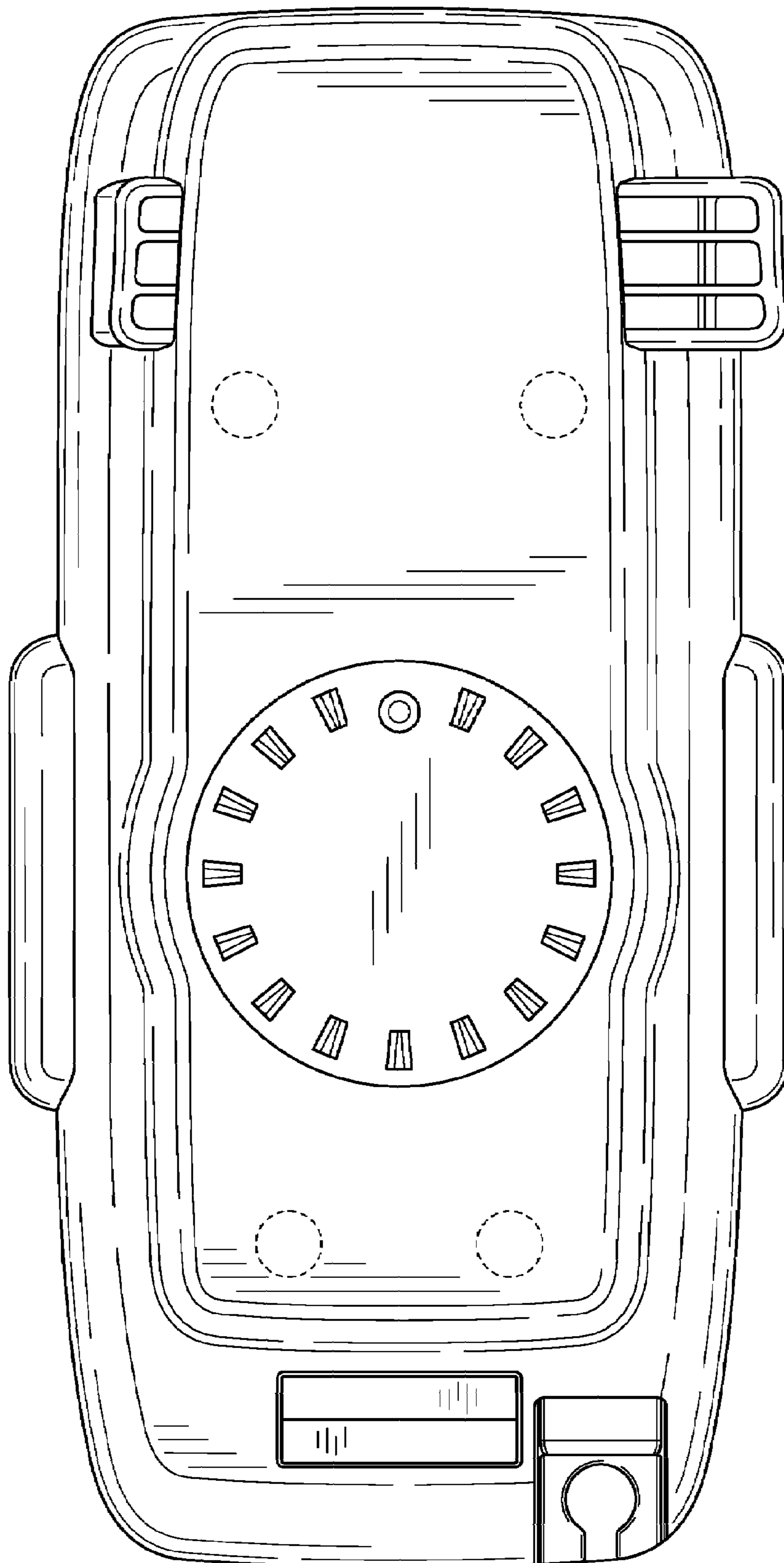


FIG. 3

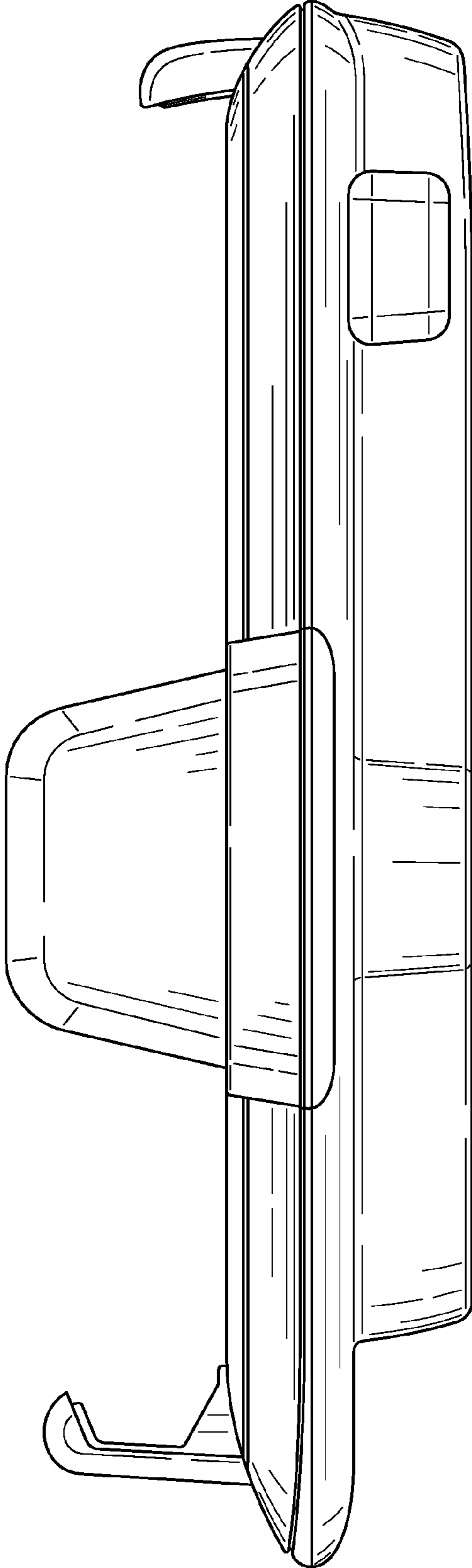


FIG. 4

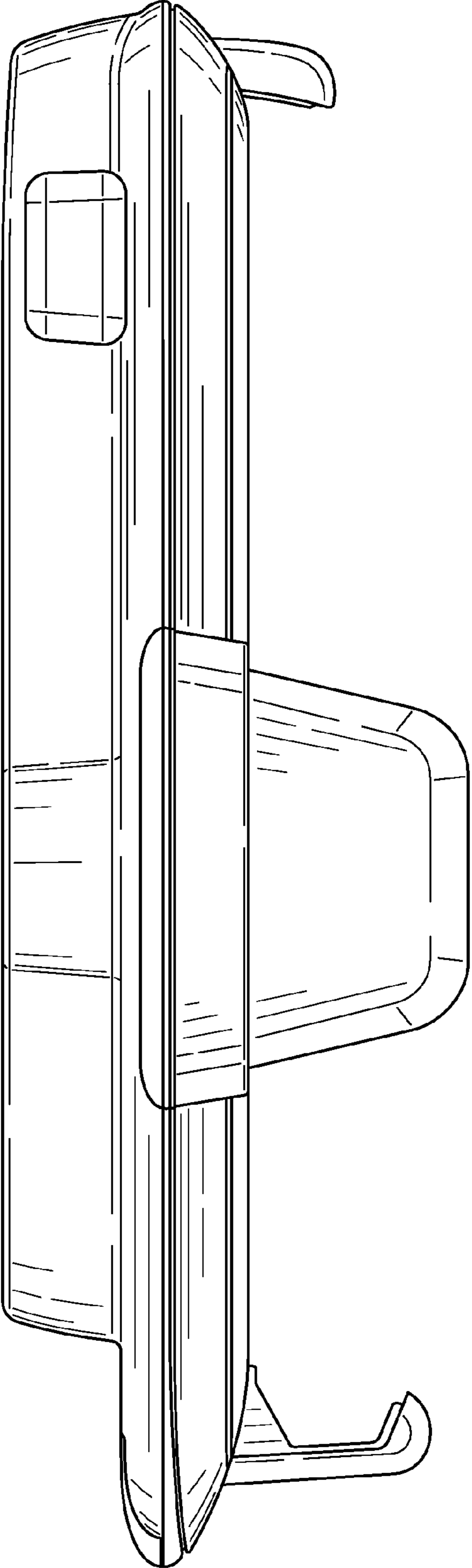


FIG. 5

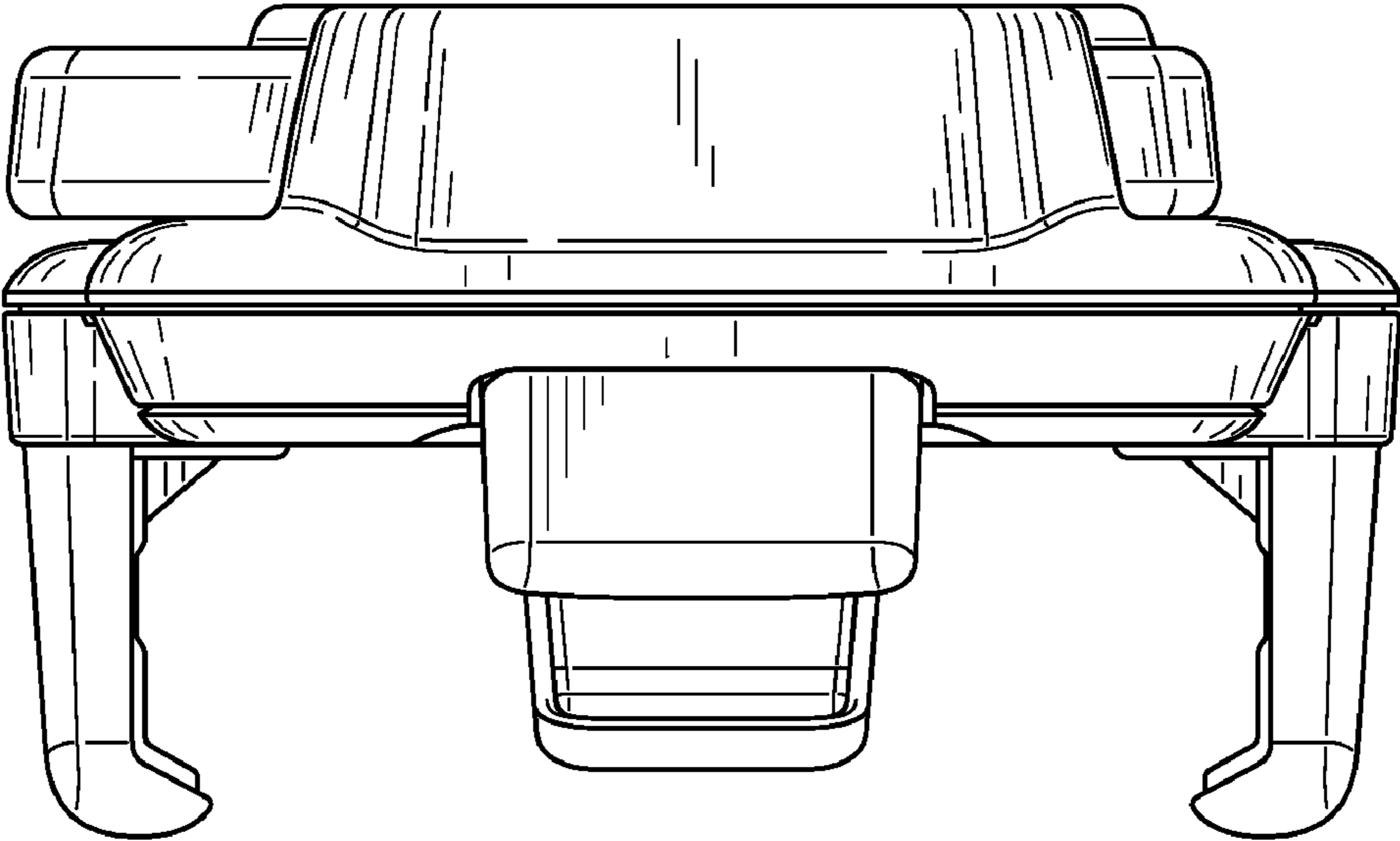


FIG. 6

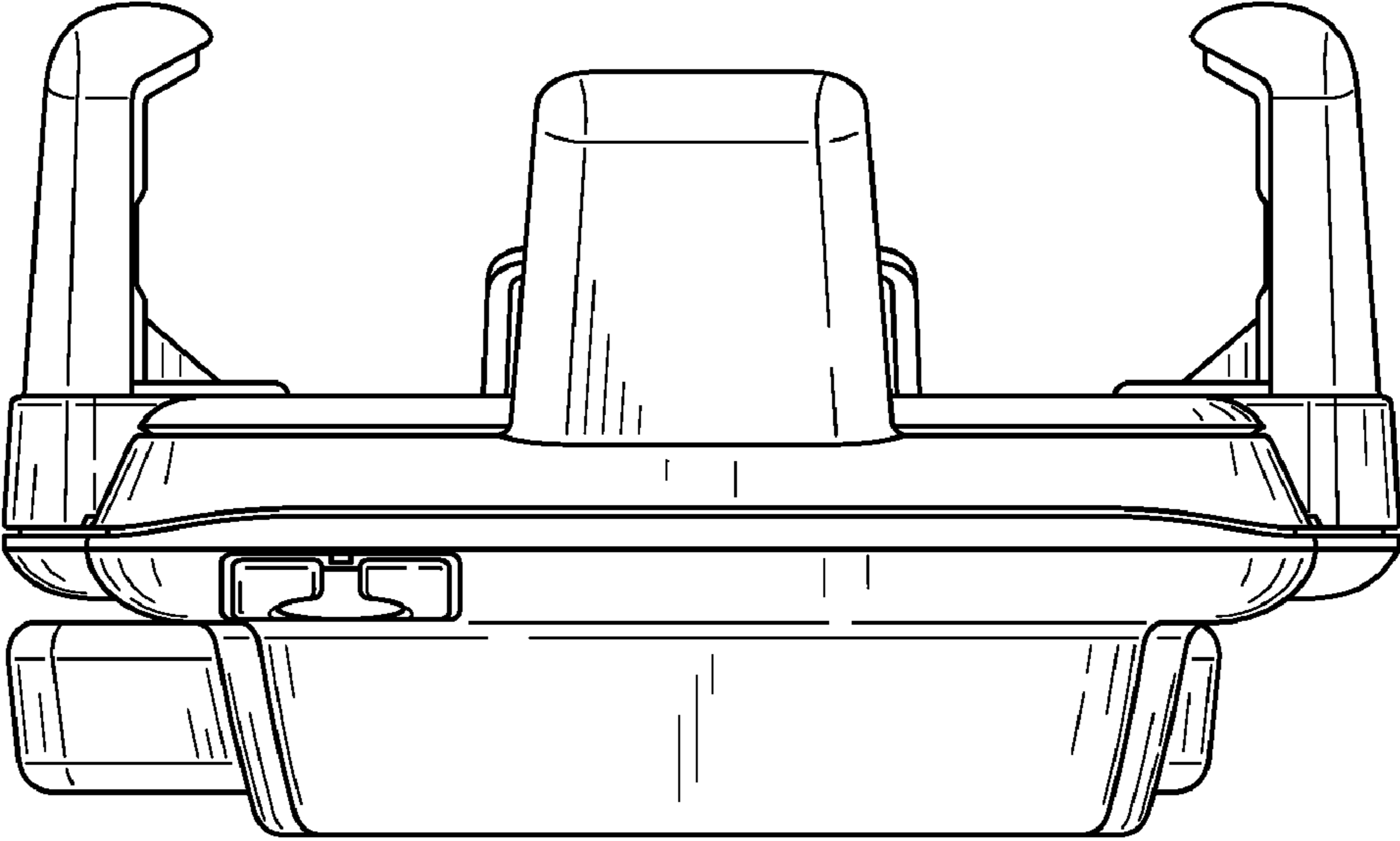


FIG. 7

UNITED STATES PATENT AND TRADEMARK OFFICE
CERTIFICATE OF CORRECTION

PATENT NO. : Des. 606,065 S
APPLICATION NO. : 29/319843
DATED : December 15, 2009
INVENTOR(S) : Veikko Rihu

Page 1 of 1

It is certified that error appears in the above-identified patent and that said Letters Patent is hereby corrected as shown below:

On the Title page, in the section entitled "Description,"

"The broken lines and unshaded regions that are defined by broken lines form no part of the claimed design."

has been replaced with

-- The broken lines and unshaded regions that are defined by broken lines form no part of the claimed design. --

Signed and Sealed this

Twentieth Day of April, 2010



David J. Kappos
Director of the United States Patent and Trademark Office