



US00D606059S

(12) **United States Design Patent**
Kuhn

(10) **Patent No.:** **US D606,059 S**

(45) **Date of Patent:** **** Dec. 15, 2009**

(54) **QUICK-RELEASE MECHANISM FOR
SECURING A TABLETOP VIDEO DISPLAY**

(75) **Inventor:** **Tyler V. Kuhn**, Spokane, WA (US)

(73) **Assignee:** **DigiDeal Corporation**, Spokane Valley,
WA (US)

(**) **Term:** **14 Years**

(21) **Appl. No.:** **29/332,872**

(22) **Filed:** **Feb. 26, 2009**

(51) **LOC (9) Cl.** **14-03**

(52) **U.S. Cl.** **D14/239**

(58) **Field of Classification Search** D14/125-134,
D14/239, 371, 136, 374-377; D8/363, 373,
D8/349, 394; 248/465, 917-924, 123.11;
348/825, 827, 836, 837, 838, 180, 184, 325,
348/739; 600/443; D6/477-479, 407, 474,
D6/460, 461, 468; 312/7.2; 341/12; 345/87,
345/104, 133, 156, 168, 169, 173; 720/605,
720/669, 600, 655; 369/99, 197; 455/344-347;
349/1, 2, 11, 62; 108/59, 91, 92, 96; 211/40,
211/41.12, 42, 49.1, 50, 85.2, 90.04, 187,
211/190, 119.003, 134.15, 3, 87.01, 71.01

See application file for complete search history.

(56) **References Cited**

U.S. PATENT DOCUMENTS

3,488,622 A * 1/1970 Gley 439/157

5,086,916 A * 2/1992 Gray 206/209.1
5,192,255 A * 3/1993 Dalebout et al. 482/54
5,294,087 A * 3/1994 Drabczyk et al. 248/639
D415,745 S * 10/1999 Clark D14/457
7,334,762 B2 * 2/2008 Dittmer 248/221.11
7,419,642 B2 * 9/2008 Fowler et al. 422/121

* cited by examiner

Primary Examiner—Raphael Barkai

Assistant Examiner—Randall H Gholson

(74) *Attorney, Agent, or Firm*—Farrell Patent Law

(57) **CLAIM**

The ornamental design for a quick-release mechanism for
securing a tabletop video display, as shown and described.

DESCRIPTION

FIG. 1 is an isometric front, top, and right side perspective
view of the quick-release mechanism for securing a tabletop
video display.

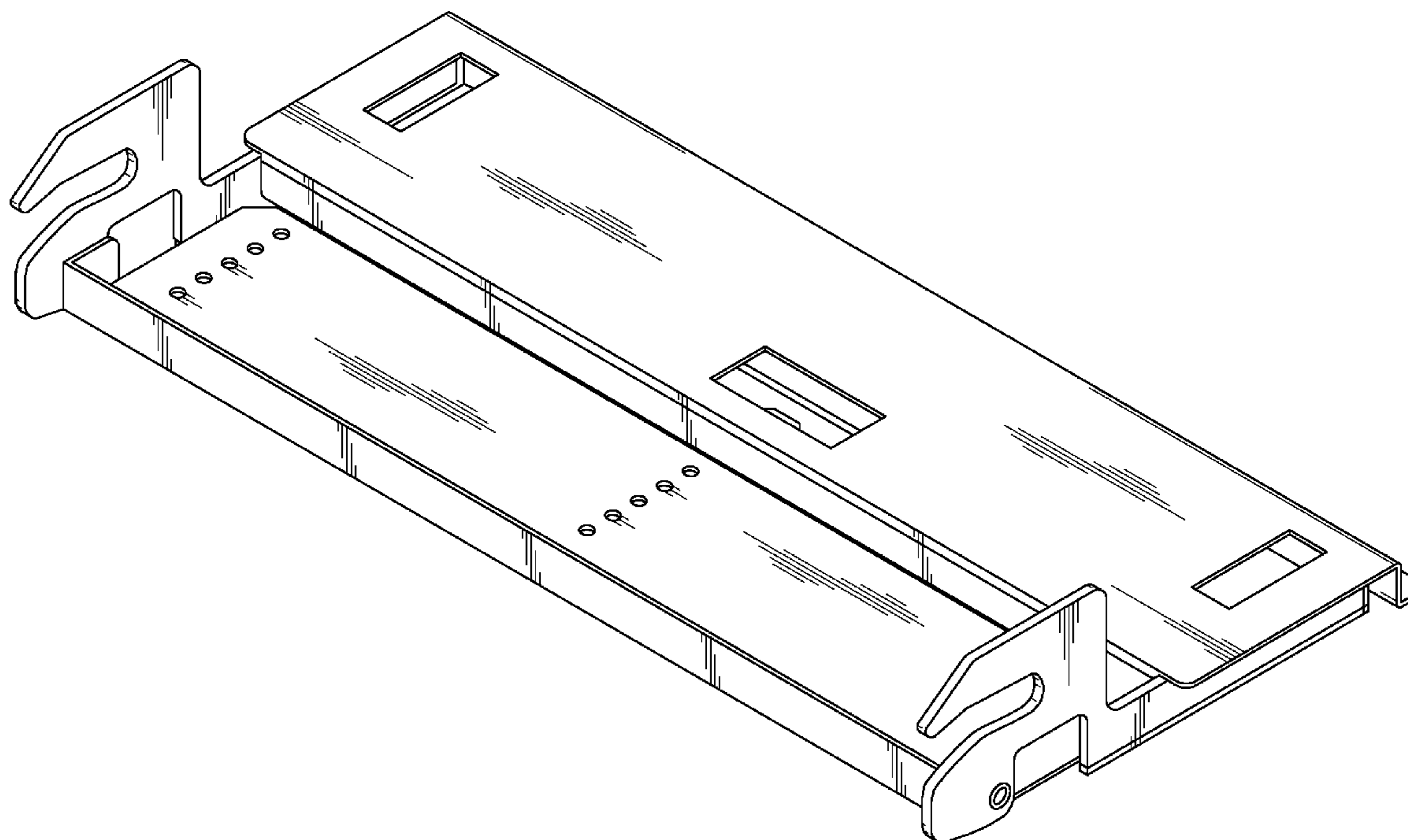
FIG. 2 is a front view of the quick-release mechanism for
securing a tabletop video display.

FIG. 3 is a right side view of the quick-release mechanism for
securing a tabletop video display.

FIG. 4 is a top view of the quick-release mechanism for
securing a tabletop video display; and,

FIG. 5 is a bottom view of the quick-release mechanism for
securing a tabletop video display.

1 Claim, 3 Drawing Sheets



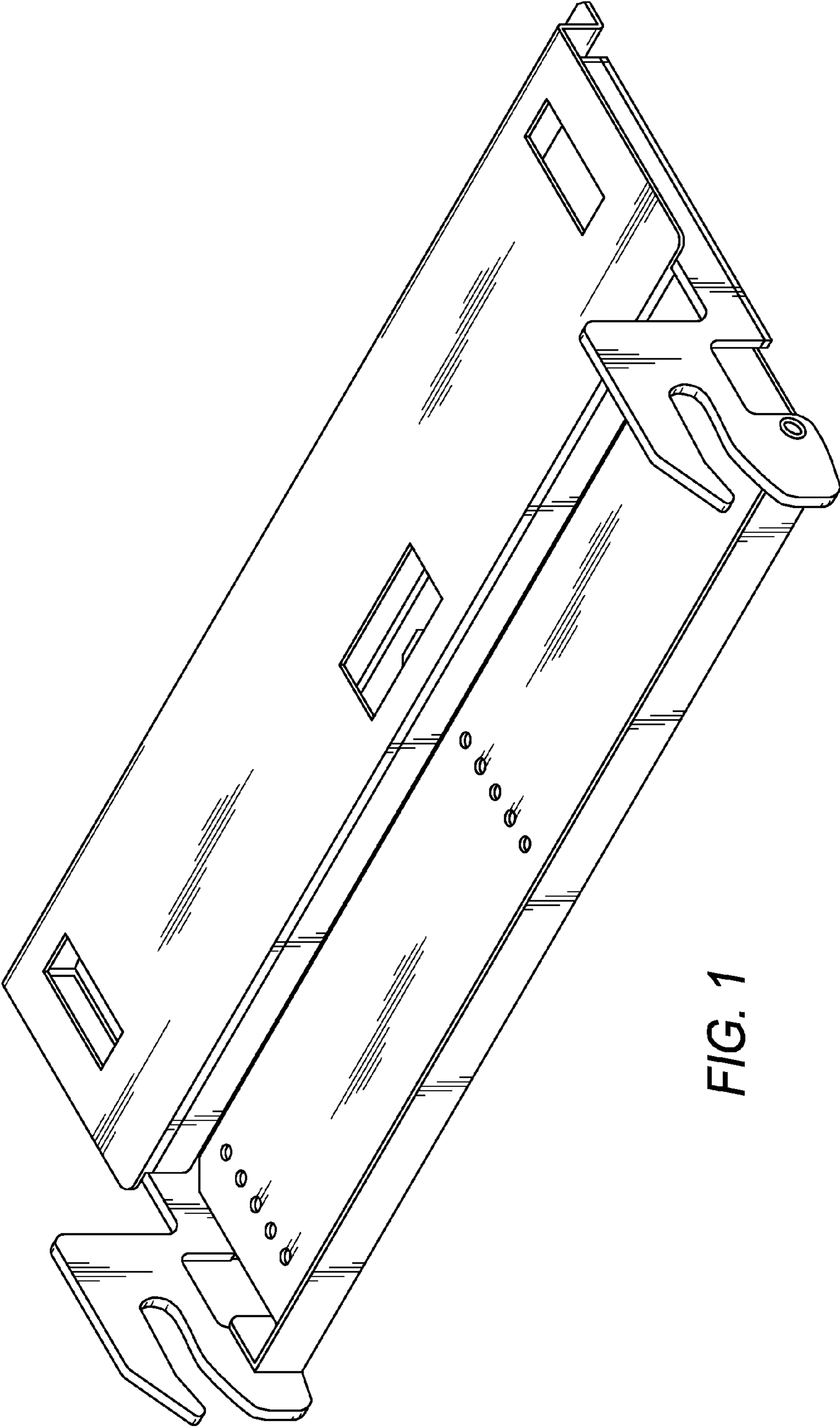


FIG. 1

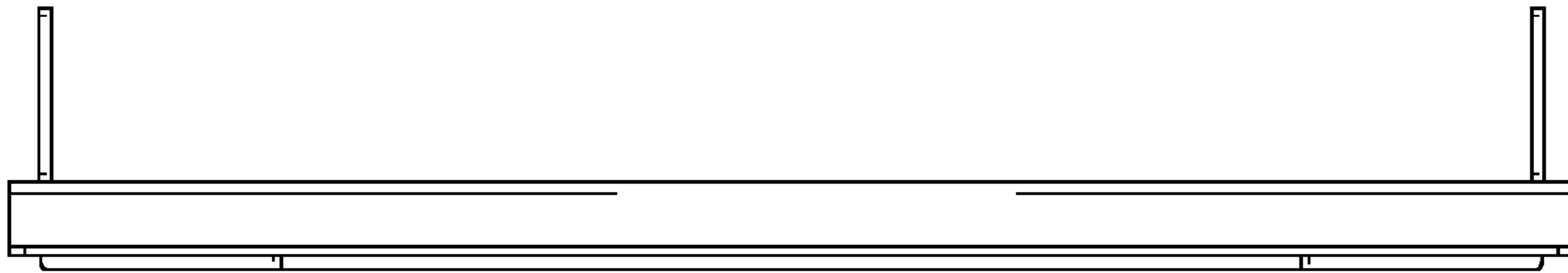


FIG. 2

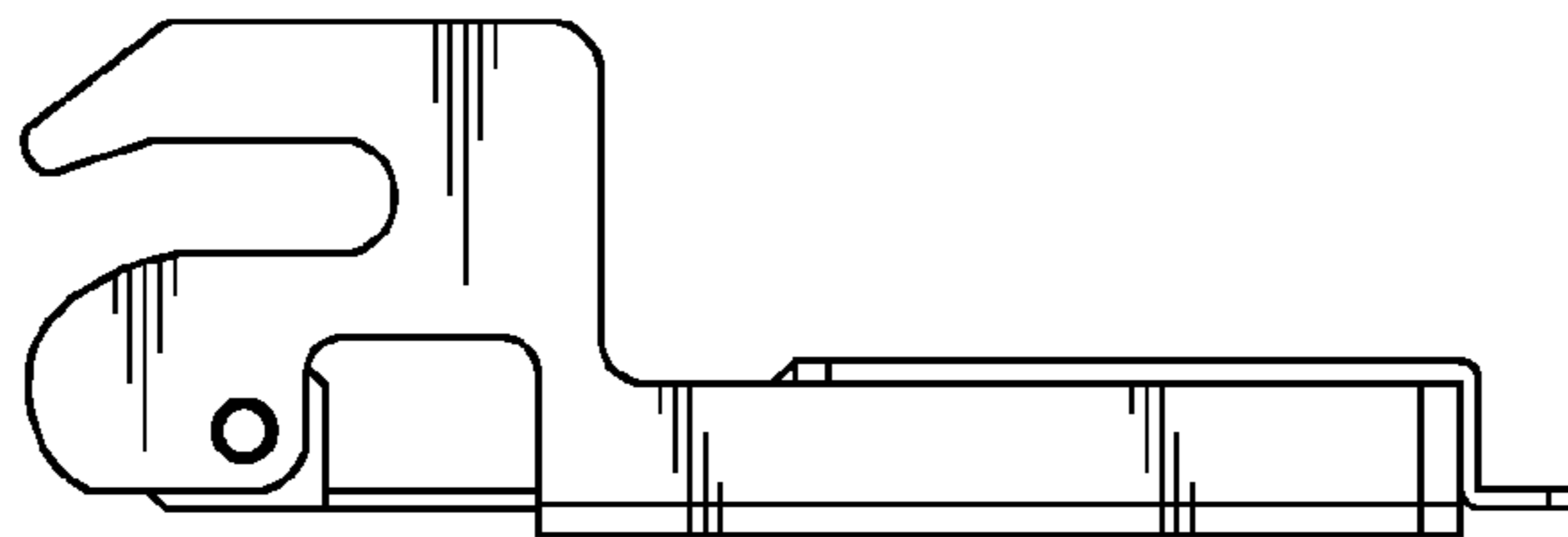


FIG. 3

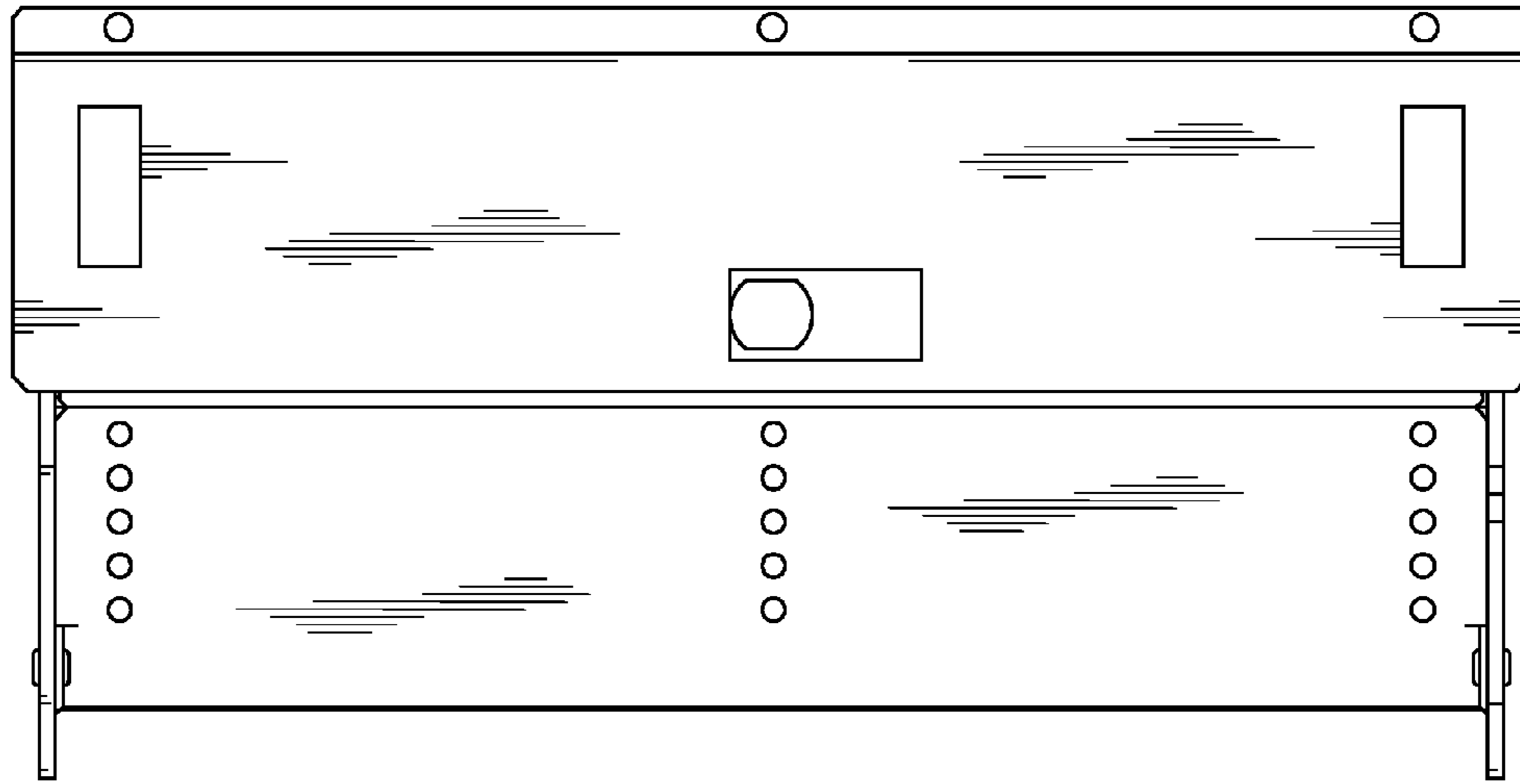


FIG. 4

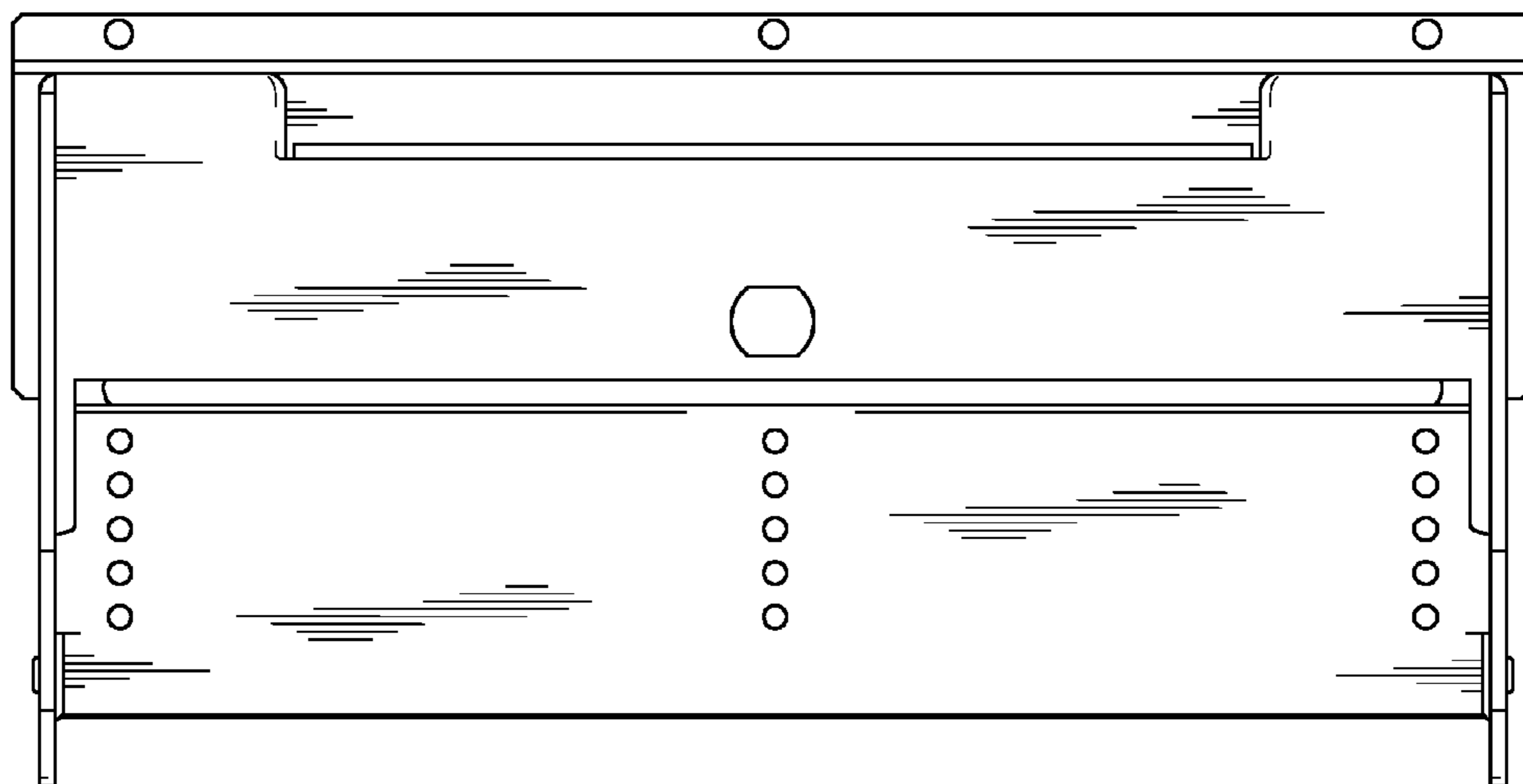


FIG. 5