



US00D606055S

(12) **United States Design Patent**
Wu et al.

(10) **Patent No.:** **US D606,055 S**
(45) **Date of Patent:** **** Dec. 15, 2009**

(54) **MULTI-BAND ANTENNA**

(75) Inventors: **Hsin Tsung Wu**, Tu-Cheng (TW); **Feng Ming Hsu**, Tu-Cheng (TW); **Yu Hung Su**, Tu-Cheng (TW); **Shin Ting Yeh**, Tu-Cheng (TW)

(73) Assignee: **Cheng Uei Precision Industry Co., Ltd.**, Taipei Hsien (TW)

(**) Term: **14 Years**

(21) Appl. No.: **29/311,717**

(22) Filed: **Jun. 4, 2009**

(51) **LOC (9) Cl.** **14-03**

(52) **U.S. Cl.** **D14/230**

(58) **Field of Classification Search** D14/138,
D14/230-238, 299, 358; D12/42, 43; 343/700 MS,
343/700 R-705, 711-713, 741, 748, 767,
343/795, 819, 840, 846, 866, 871-908; 455/90.2,
455/90.3, 91, 128, 269, 344, 347, 562.1
See application file for complete search history.

(56) **References Cited**

U.S. PATENT DOCUMENTS

7,333,067 B2 * 2/2008 Hung et al. 343/770
D588,115 S * 3/2009 Yoshioka D14/230
D588,587 S * 3/2009 Hellgren D14/230

D592,195 S * 5/2009 Wu et al. D14/230
2008/0266182 A1 * 10/2008 Teshima 343/700 MS
2009/0002244 A1 * 1/2009 Woo 343/702
2009/0027273 A1 * 1/2009 Lin et al. 343/700 MS
2009/0040110 A1 * 2/2009 Chien et al. 343/700 MS
2009/0146906 A1 * 6/2009 Anguera Pros et al. 343/906

* cited by examiner

Primary Examiner—T. Chase Nelson
Assistant Examiner—John Windmuller

(74) *Attorney, Agent, or Firm*—Rosenberg, Klein & Lee

(57) **CLAIM**

The ornamental design for a multi-band antenna, as shown and described.

DESCRIPTION

FIG. 1 is a perspective view of a multi-band antenna showing our new design;

FIG. 2 is a front elevational view thereof;

FIG. 3 is a rear elevational view thereof;

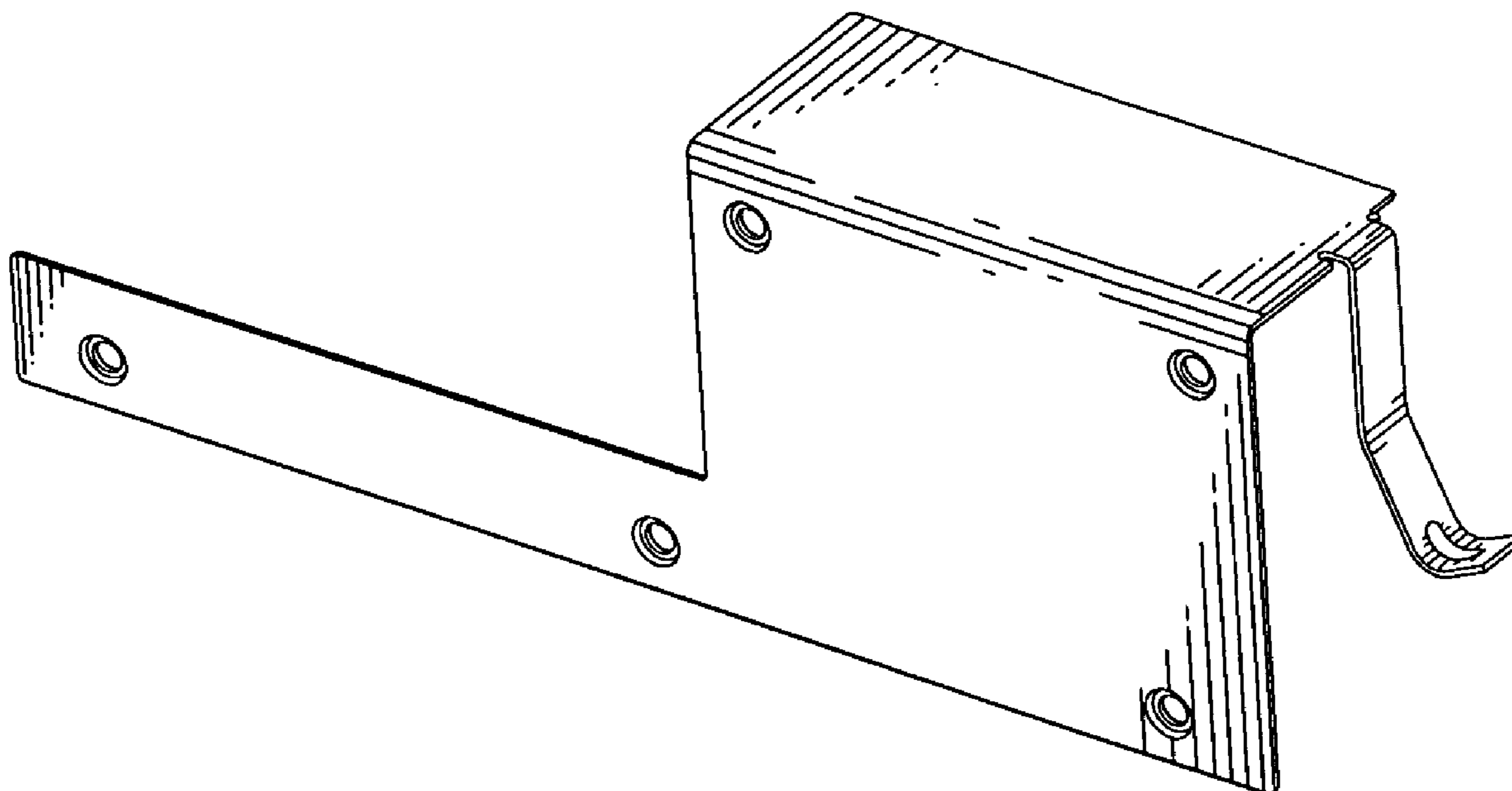
FIG. 4 is a left side elevational view thereof;

FIG. 5 is a right side elevational view thereof;

FIG. 6 is a top plan view thereof; and,

FIG. 7 is a bottom plan view thereof.

1 Claim, 7 Drawing Sheets



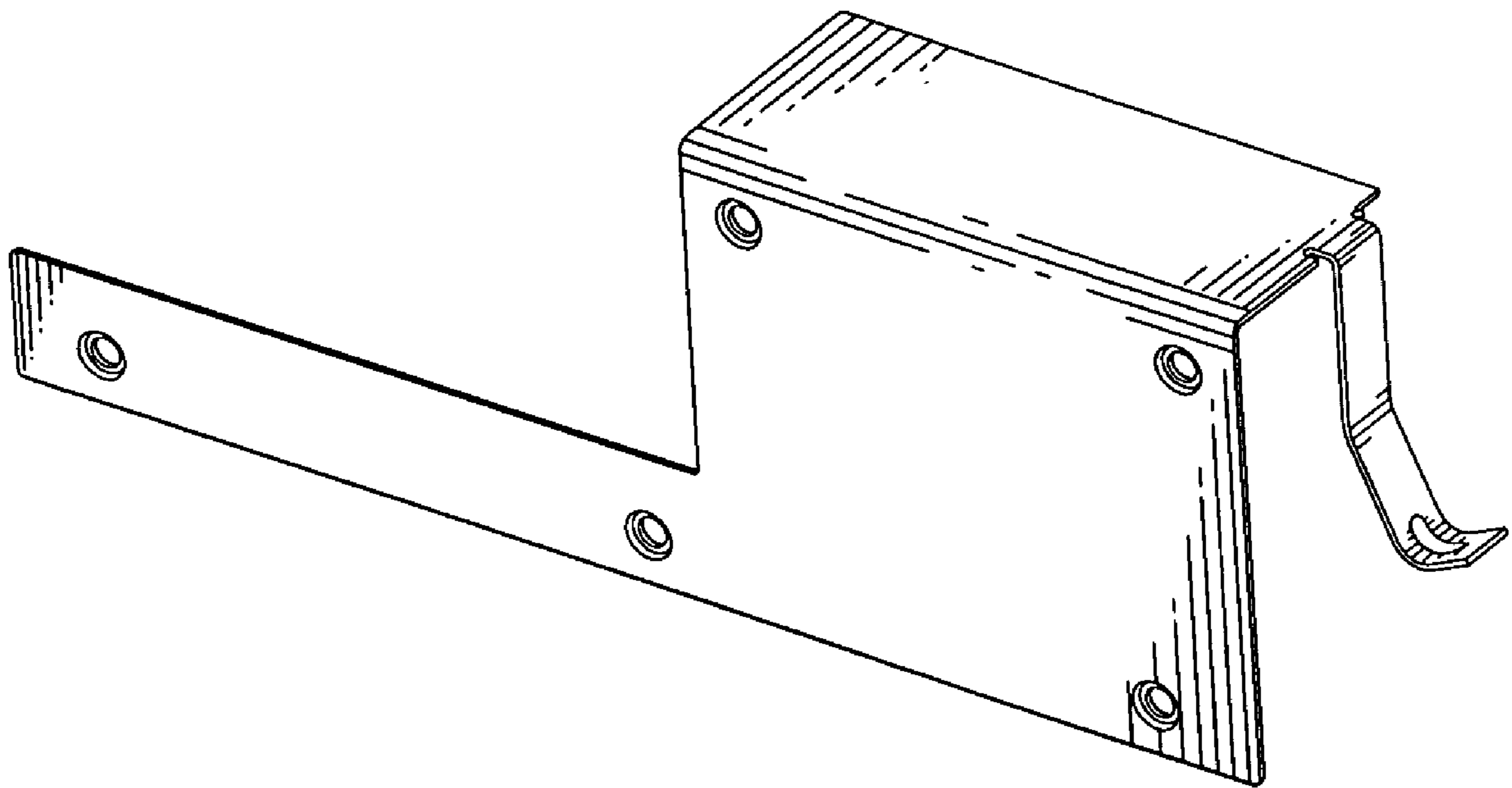


FIG. 1

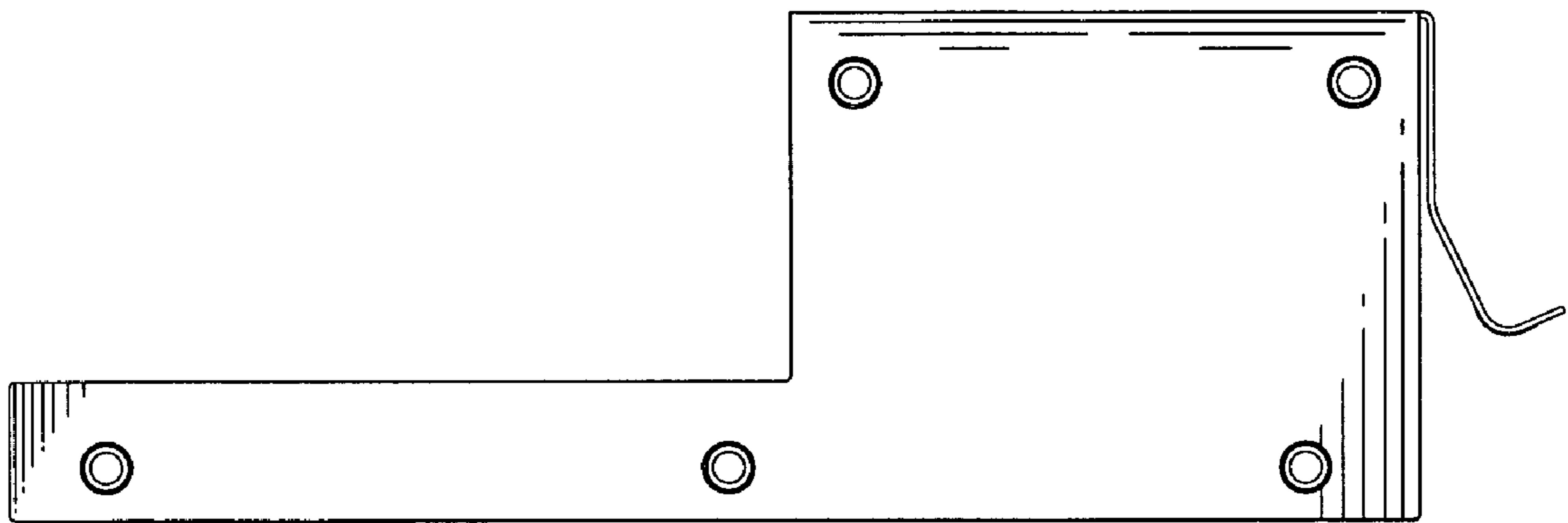


FIG. 2

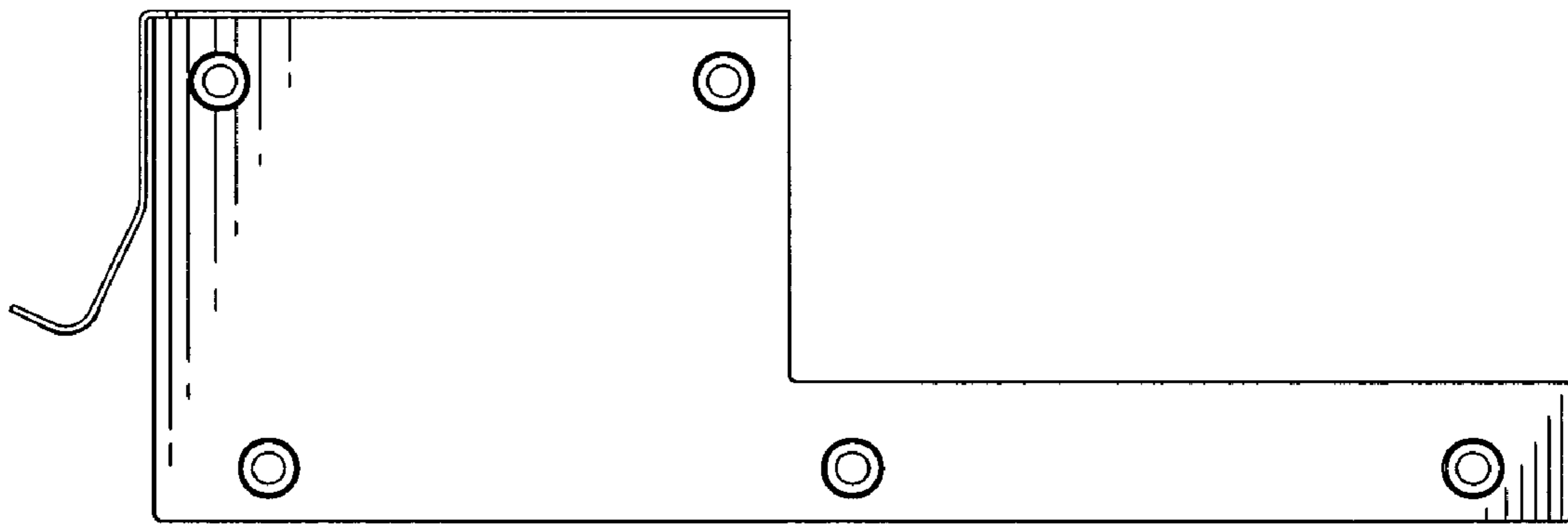


FIG. 3

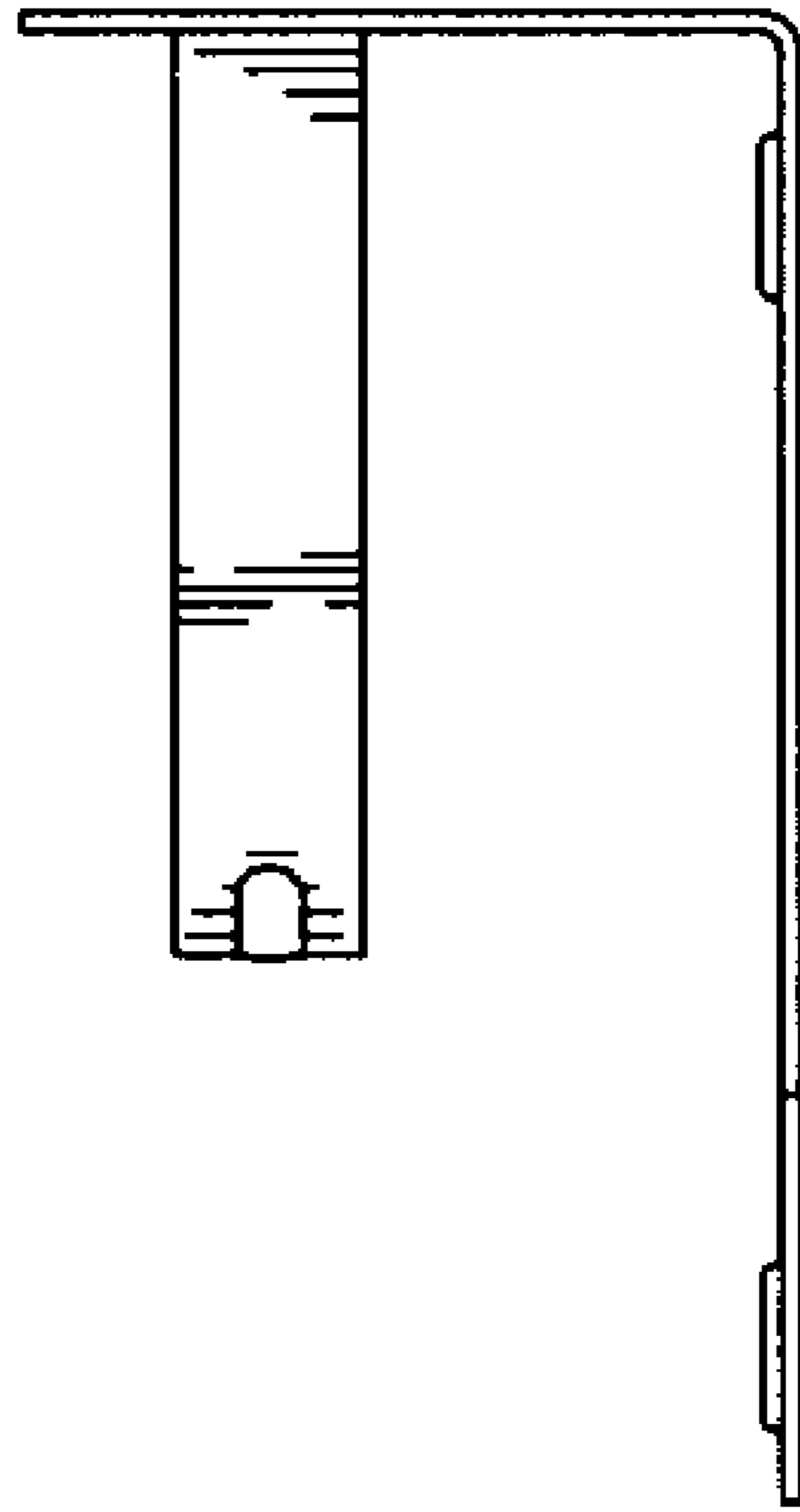


FIG. 4

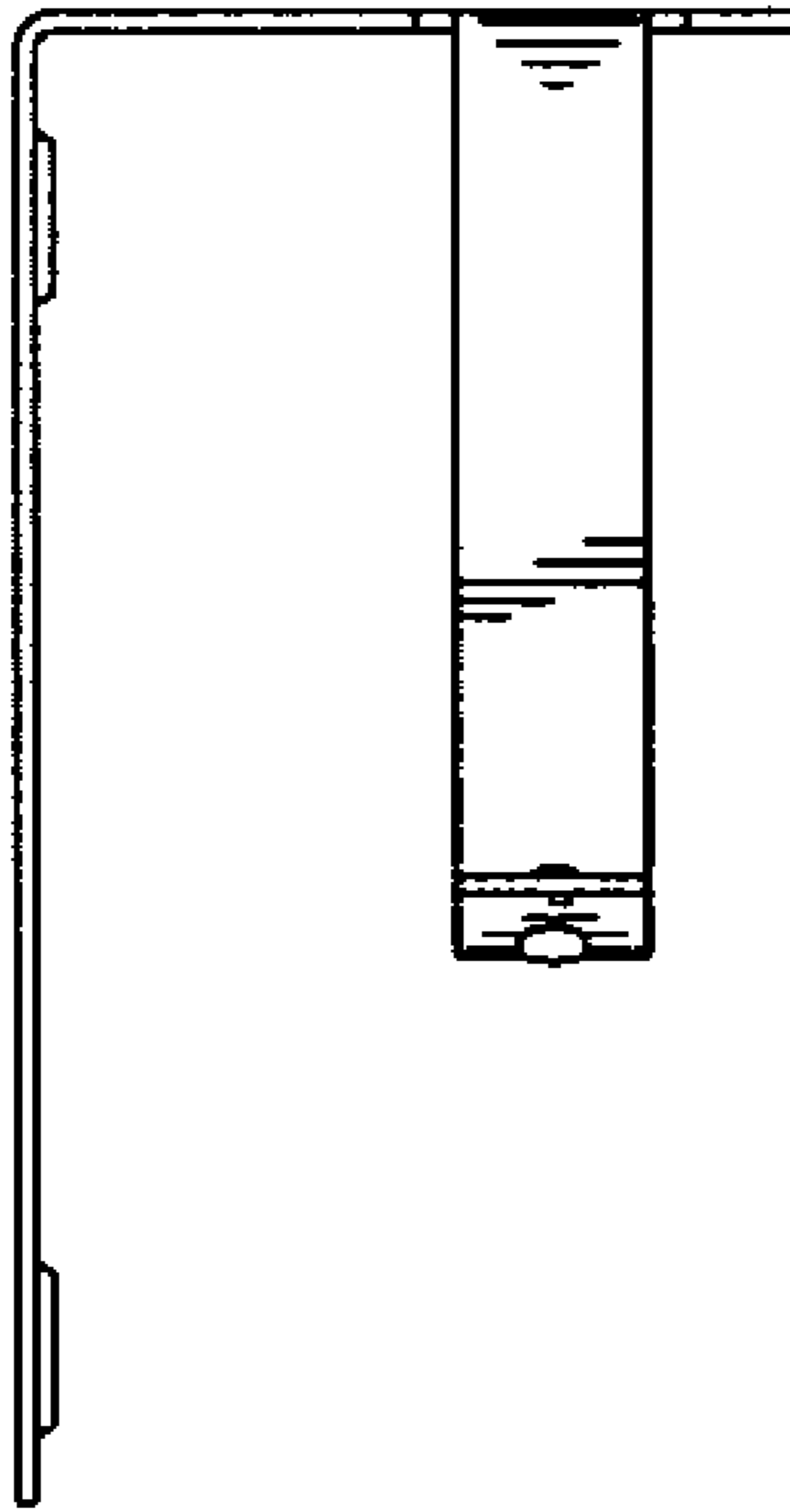


FIG. 5

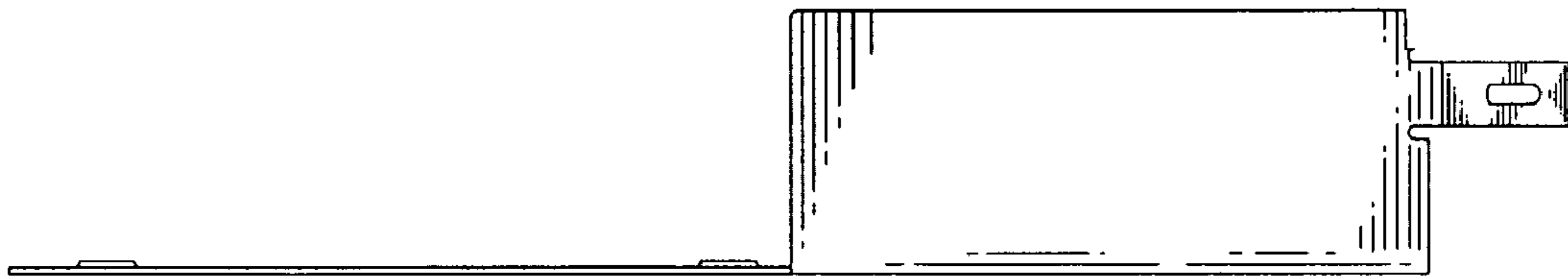


FIG. 6

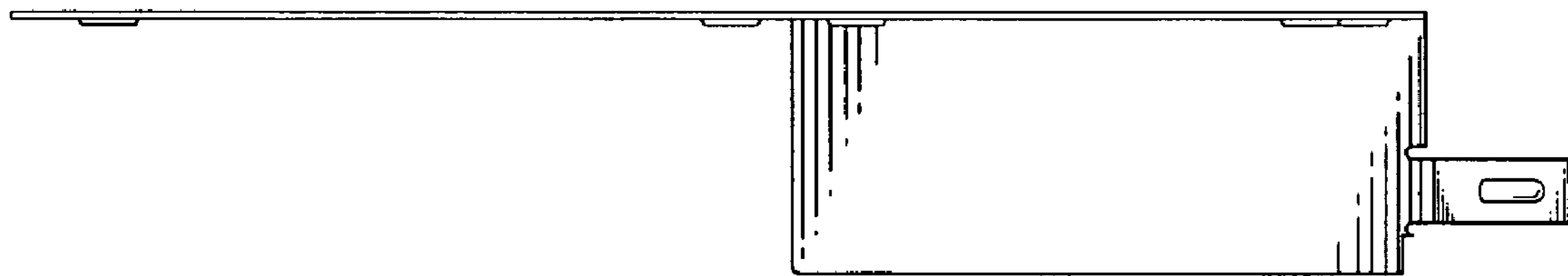


FIG. 7