



US00D606050S

(12) **United States Design Patent**  
**Nousiainen**

(10) **Patent No.:** **US D606,050 S**  
(45) **Date of Patent:** **\*\* Dec. 15, 2009**

(54) **HEADSET**

(75) Inventor: **Esa Nousiainen**, Vantaa (FI)

(73) Assignee: **Nokia Corporation**, Espoo (FI)

(\*\*) Term: **14 Years**

(21) Appl. No.: **29/333,351**

(22) Filed: **Mar. 6, 2009**

(51) **LOC (9) Cl.** ..... **14-01**

(52) **U.S. Cl.** ..... **D14/223**

(58) **Field of Classification Search** ..... D14/205,  
D14/206, 223; D10/104; 181/129, 130;  
379/430, 431; 381/380, 381; 455/575.1,  
455/575.2, 569.1, 92

See application file for complete search history.

(56) **References Cited**

**U.S. PATENT DOCUMENTS**

D441,185 S *	5/2001	Shimizu et al.	.....	D3/207
D457,513 S *	5/2002	Pirelli et al.	.....	D14/223
D478,893 S *	8/2003	Corander	.....	D14/218
D480,386 S *	10/2003	Browne et al.	.....	D14/223
D481,374 S *	10/2003	Lee	.....	D14/188
6,760,459 B2 *	7/2004	Bae	.....	381/375
D504,884 S *	5/2005	Hering	.....	D14/206
D512,049 S *	11/2005	Yang	.....	D14/223
7,197,348 B2 *	3/2007	Pan	.....	455/575.8
7,239,899 B2 *	7/2007	Lin	.....	455/575.1
D553,613 S	10/2007	Sade et al.		
D562,310 S *	2/2008	Moon et al.	.....	D14/223
D566,103 S	4/2008	Sade et al.		
D566,108 S *	4/2008	Kan	.....	D14/223
D566,692 S	4/2008	Sade et al.		
D566,694 S *	4/2008	Kim et al.	.....	D14/223
D574,367 S	8/2008	Jaakkola et al.		

D575,276 S *	8/2008	Bradford et al.	.....	D14/223
D576,609 S *	9/2008	Bradford et al.	.....	D14/223
D579,924 S	11/2008	Sade et al.		
D579,925 S	11/2008	Jaakkola et al.		
D583,805 S	12/2008	Jaakkola et al.		
D588,113 S	3/2009	Bradford		
D590,378 S *	4/2009	Bradford	.....	D14/223
D592,190 S *	5/2009	Birger	.....	D14/223
D595,272 S *	6/2009	Kim et al.	.....	D14/223
D596,166 S *	7/2009	Henning	.....	D14/223

\* cited by examiner

*Primary Examiner*—Paula Greene

(74) *Attorney, Agent, or Firm*—Banner & Witcoff, Ltd.

(57) **CLAIM**

The ornamental design for a headset, as shown and described.

**DESCRIPTION**

FIG. 1 is a front perspective view of a headset showing my new design;

FIG. 2 is a front view thereof;

FIG. 3 is a rear view thereof;

FIG. 4 is a right side view thereof;

FIG. 5 is a left side view thereof;

FIG. 6 is a top view thereof;

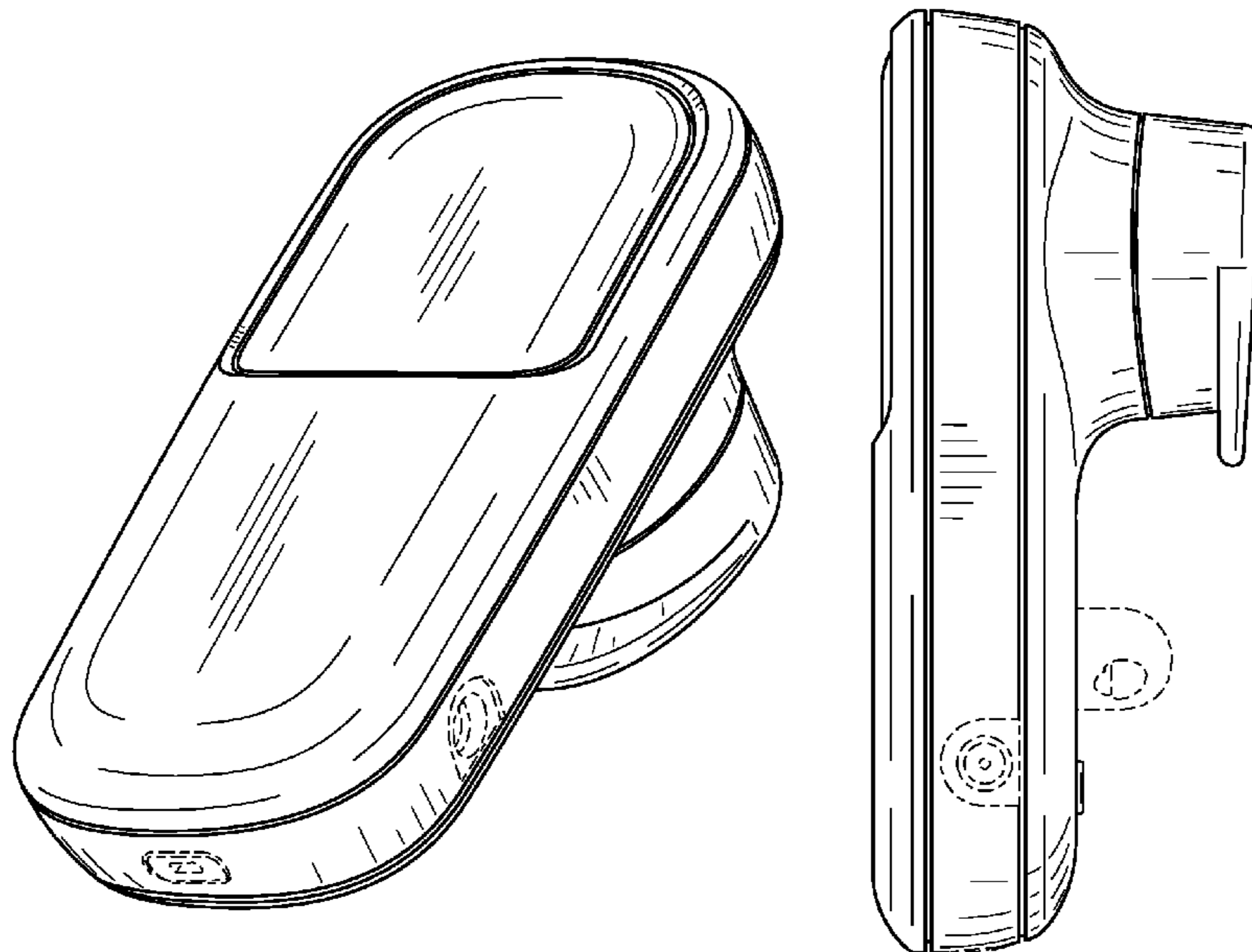
FIG. 7 is a bottom view thereof;

FIG. 8 is a front perspective view of the headset with a disclaimed earloop showing an in-use position; and,

FIG. 9 is a rear view thereof.

The broken lines showing the environmental structures of the headset in the figures are for illustrative purposes only and form no part of the claimed design.

**1 Claim, 4 Drawing Sheets**



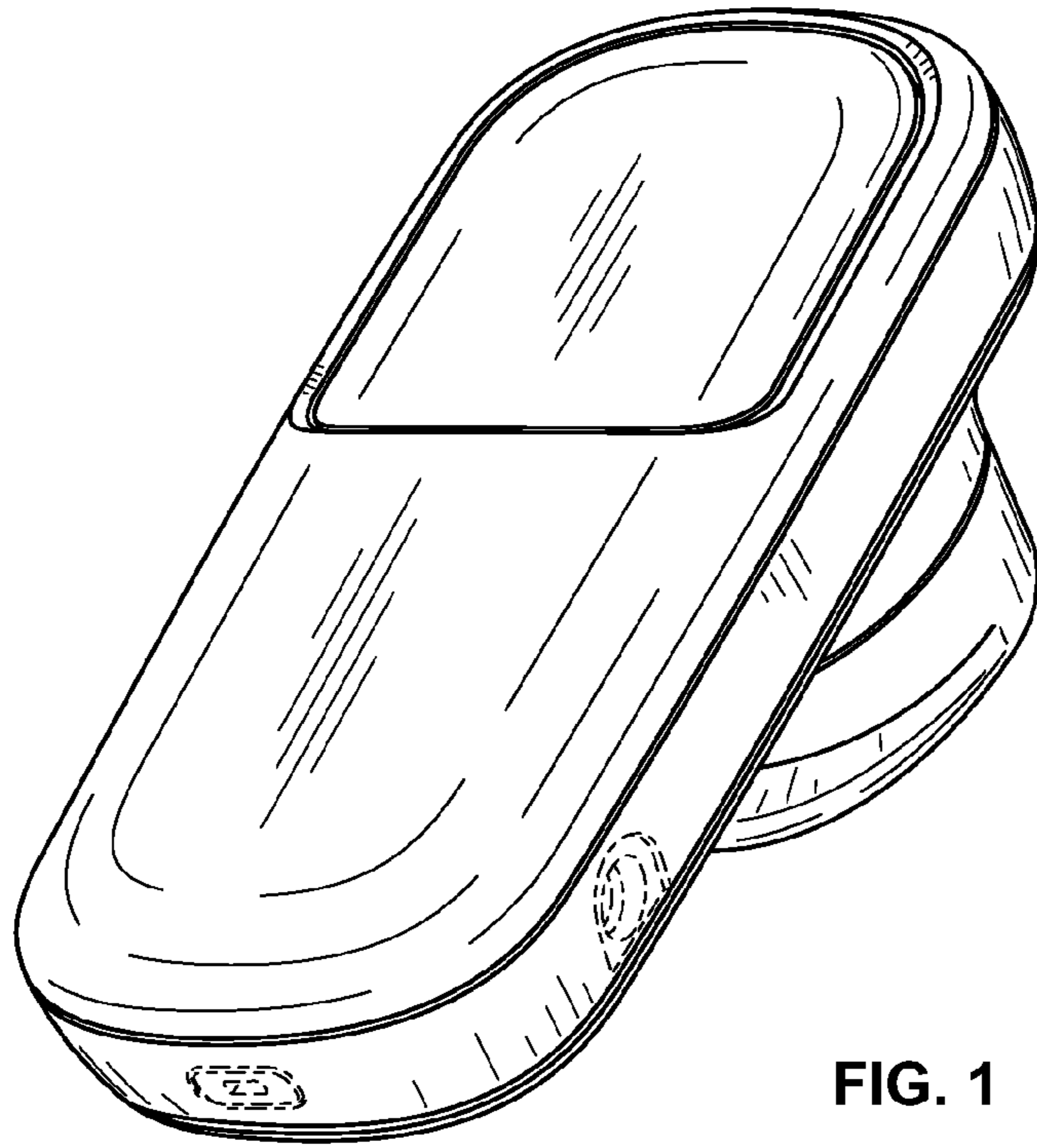


FIG. 1

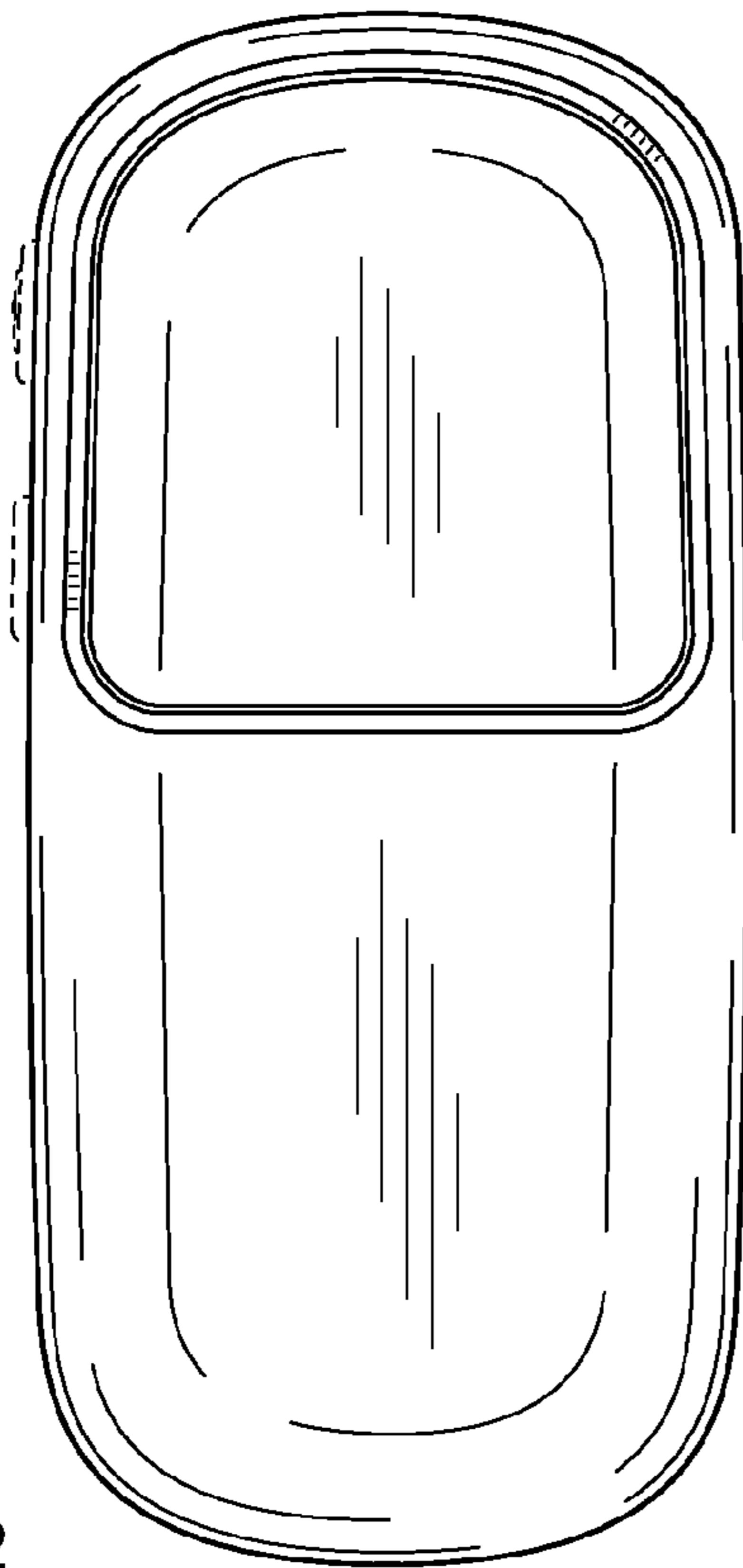


FIG. 2

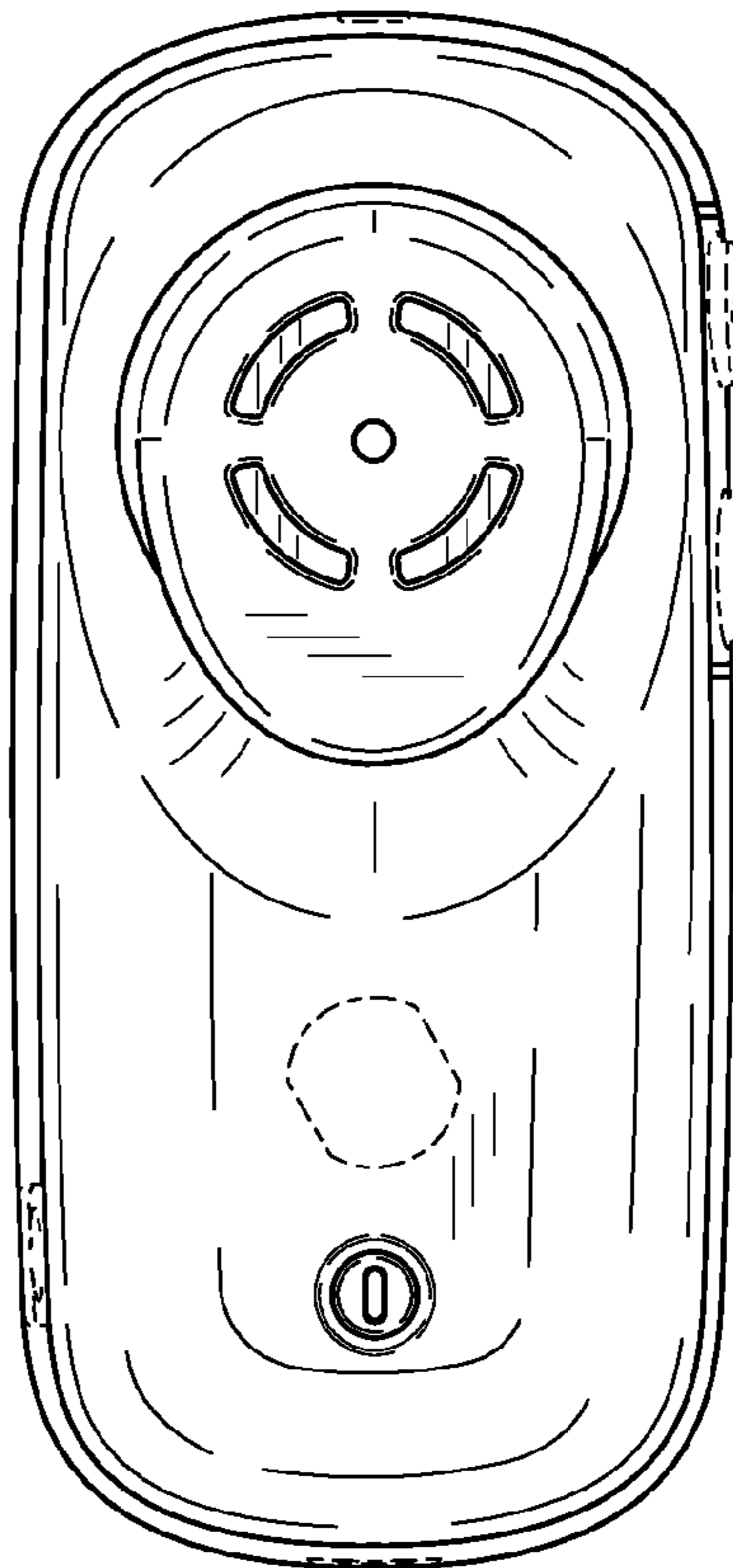


FIG. 3

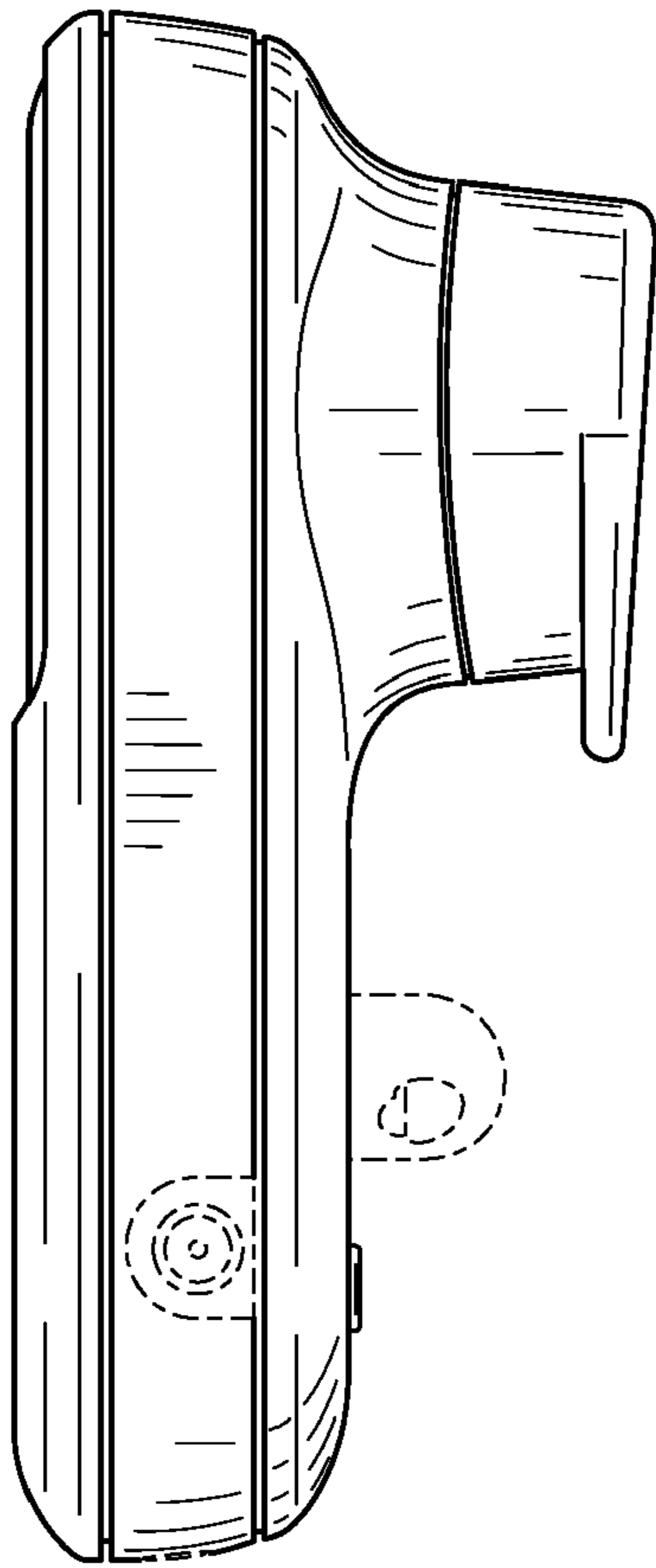


FIG. 4

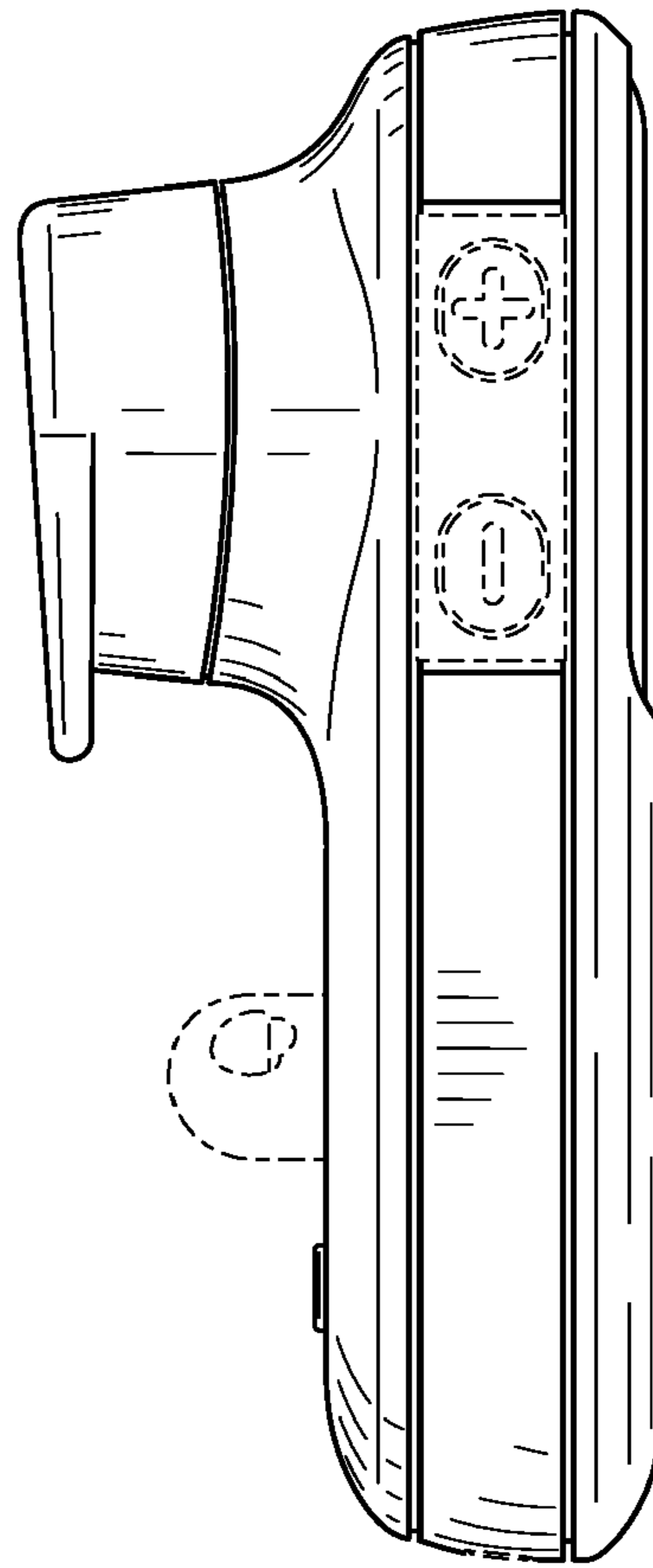


FIG. 5

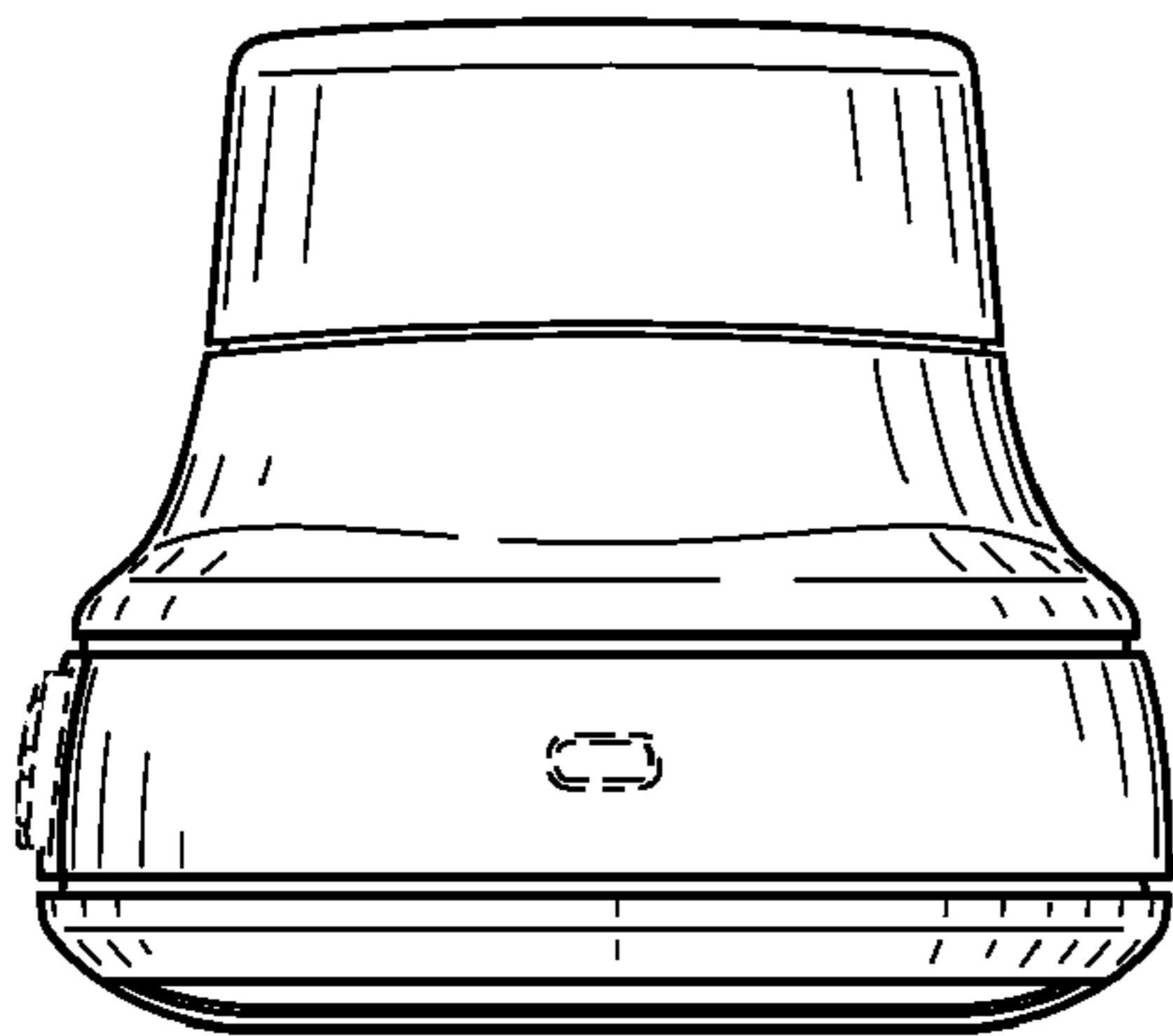


FIG. 6

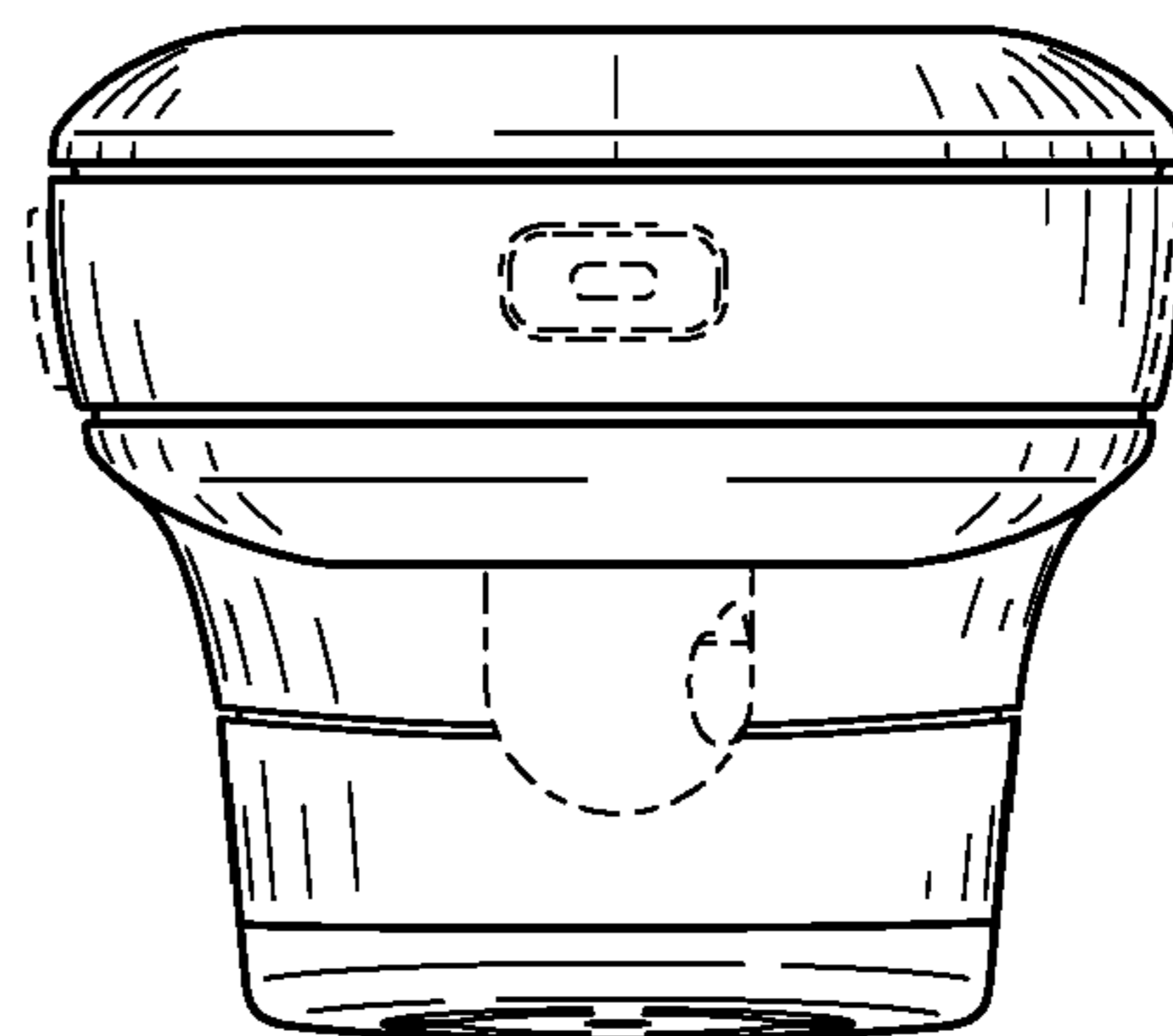


FIG. 7

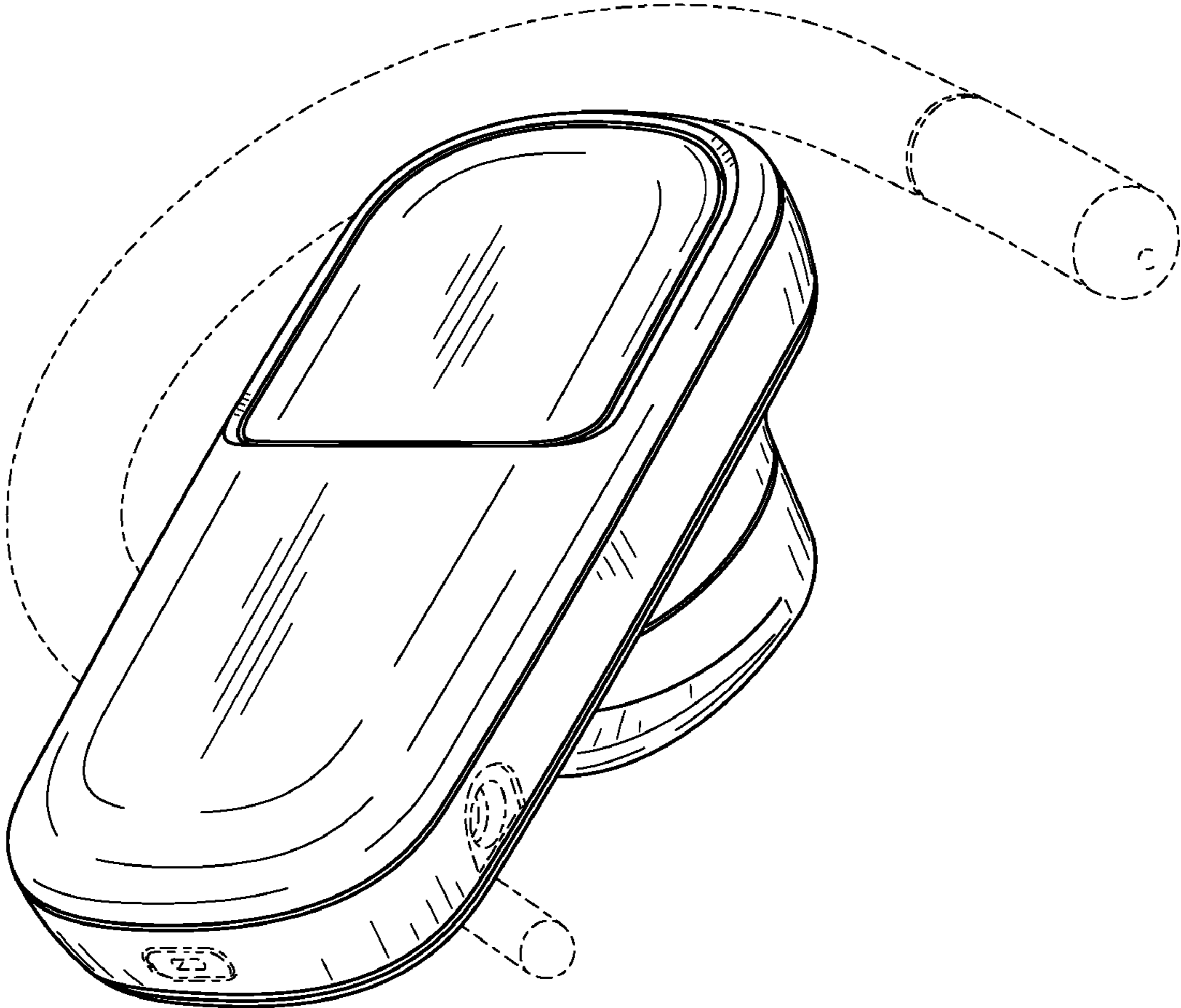


FIG. 8

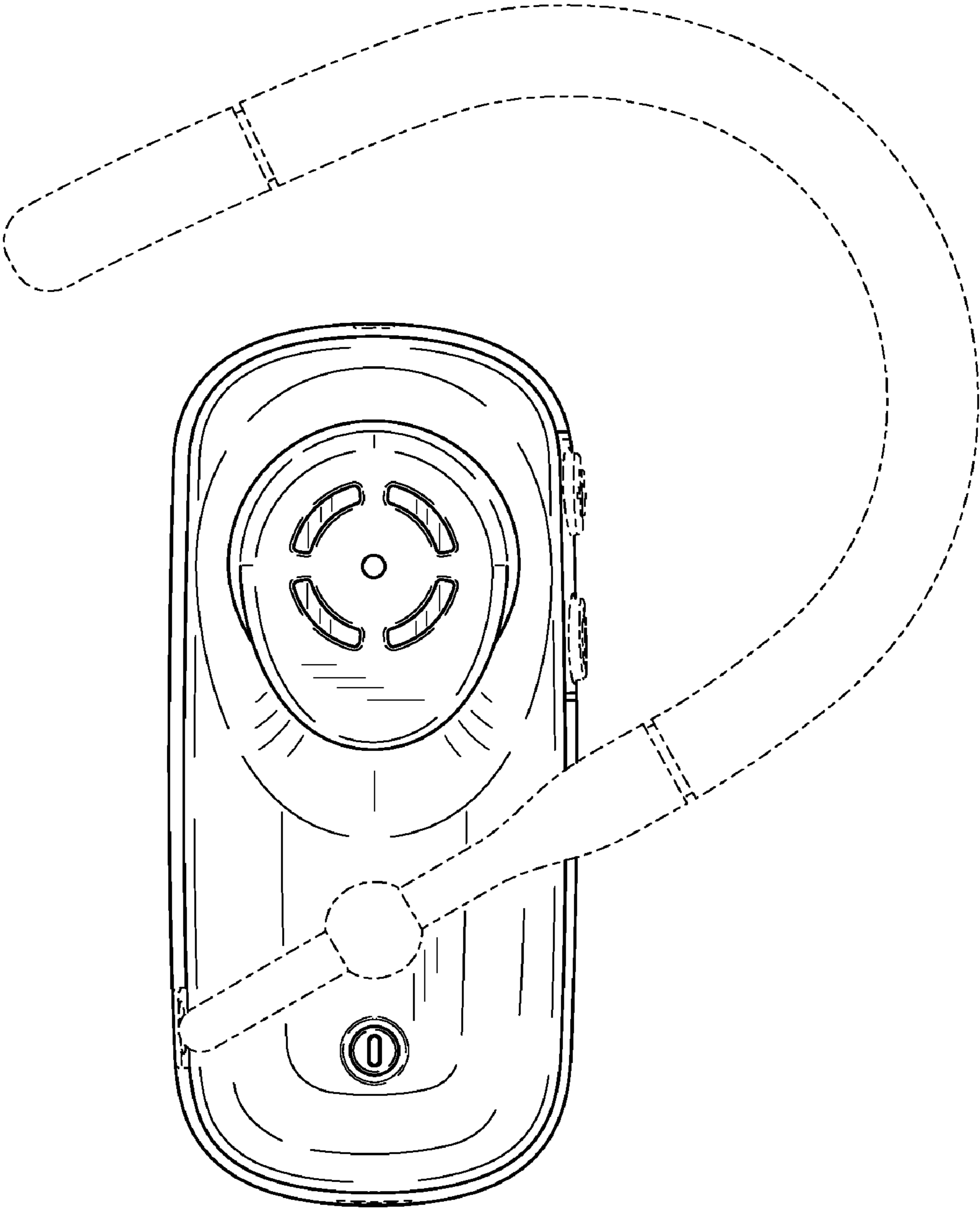


FIG. 9