



US00D606049S

(12) **United States Design Patent**  
**Matsuda et al.**

(10) **Patent No.:** **US D606,049 S**  
(45) **Date of Patent:** **\*\* Dec. 15, 2009**

(54) **EARPHONE**

(75) Inventors: **Takeshi Matsuda**, Tokyo (JP); **Kenji Hatano**, Tokyo (JP); **Masaji Komuro**, Tokyo (JP); **Kenji Murata**, Tokyo (JP)

(73) Assignee: **SMK Corporation**, Tokyo (JP)

(\*\*) Term: **14 Years**

(21) Appl. No.: **29/326,223**

(22) Filed: **Oct. 14, 2008**

**Related U.S. Application Data**

(62) Division of application No. 29/296,666, filed on Oct. 25, 2007, now Pat. No. Des. 599,785.

(30) **Foreign Application Priority Data**

May 29, 2007	(JP)	.....	2007-014228
May 29, 2007	(JP)	.....	2007-014239
May 29, 2007	(JP)	.....	2007-014240
May 29, 2007	(JP)	.....	2007-014241

(51) **LOC (9) Cl.** ..... **14-01**

(52) **U.S. Cl.** ..... **D14/223; D14/205**

(58) **Field of Classification Search** ..... D14/205,  
D14/206, 223; 181/129, 130; 379/430; 381/380,  
381/381, 373, 186, 375; D24/174; D11/95,  
D11/165; D16/137, 134, 323, 341; 359/457;  
385/33, 35, 36, 124; D5/54, 58; 428/30,  
428/187; 434/303

See application file for complete search history.

(56) **References Cited**

**U.S. PATENT DOCUMENTS**

1,561,149 A \* 11/1925 Gage ..... 362/296.01

(Continued)

*Primary Examiner*—Paula Greene

(74) *Attorney, Agent, or Firm*—Darby & Darby PC

(57) **CLAIM**

The ornamental design for an earphone, as shown and described.

**DESCRIPTION**

FIG. 1 is a magnified top view of an embodiment of our earphone;

FIG. 2 is a bottom view of the embodiment of FIG. 1;

FIG. 3 is an inverted left side view of the embodiment of FIG. 1;

FIG. 4 is a right side view of the embodiment of FIG. 1;

FIG. 5 is a back view of the embodiment of FIG. 1, rotated in a counterclockwise direction by 90 degrees;

FIG. 6 is a front view of the embodiment of FIG. 1, rotated in a clockwise direction by 90 degrees;

FIG. 7 is a magnified perspective view of the embodiment of FIG. 1, as seen from the top, front and right sides;

FIG. 8 is a magnified perspective view of the embodiment of FIG. 1, as seen from the top, back and left sides;

FIG. 9 is a perspective view of the embodiment of FIG. 1, as seen from the bottom, back and right sides;

FIG. 10 is a perspective view of the embodiment of FIG. 1, as seen from the bottom, front and left sides;

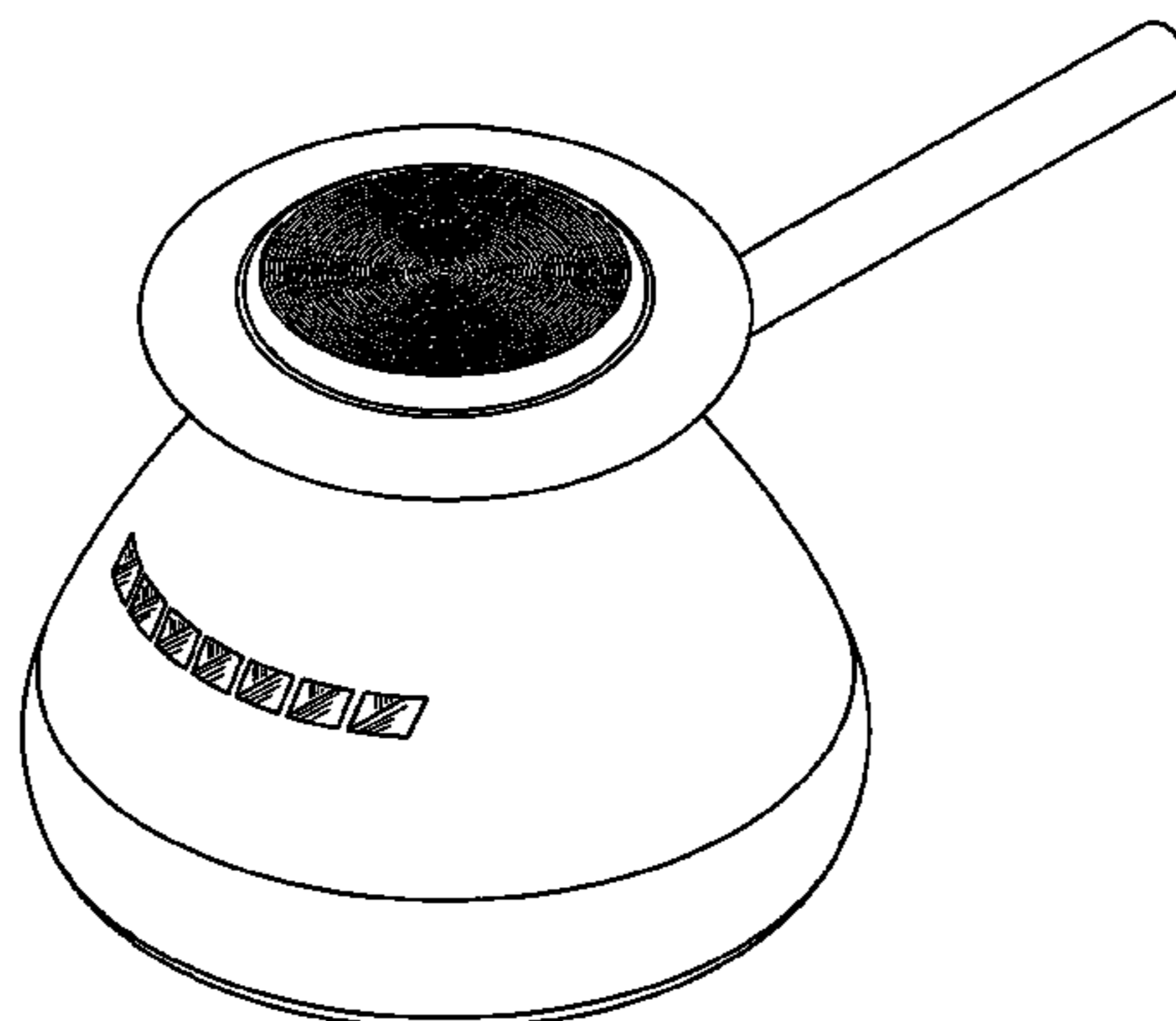
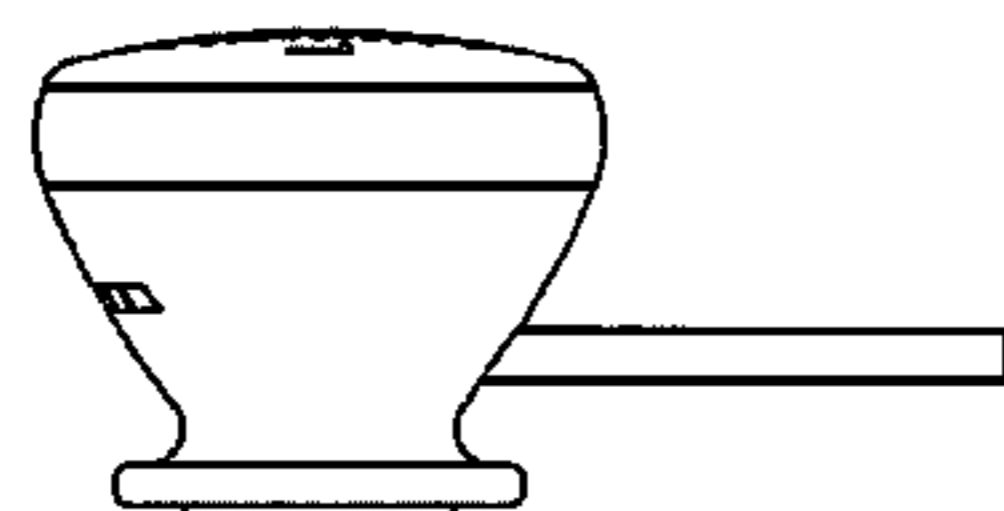
FIG. 11 is a magnified front view of an accessory portion of our earphone as depicted in FIGS. 1, 7 and 8, shown separately for ease of illustration;

FIG. 12 is a magnified view of the accessory portion of our earphone as depicted in FIGS. 1, 7 and 8, shown separately for ease of illustration; and,

FIG. 13 is a right side view of the accessory portion of our earphone as depicted in FIGS. 1, 7 and 8, shown separately for ease of illustration.

In FIGS. 11–13, broken lines depict environmental subject matter and form no part of the claimed design. The ornamental features of the accessory portion as illustrated in FIGS. 1, 7, 8, 11 and 12 are intended to depict a single ornamental design, which is most clearly depicted in FIGS. 1 and 11.

**1 Claim, 7 Drawing Sheets**



# US D606,049 S

Page 2

## U.S. PATENT DOCUMENTS

2,510,344	A *	6/1950	Law	.....	359/457	D337,589	S *	7/1993	Wada	.....	D14/223
2,529,701	A *	11/1950	Maloff	.....	359/457	5,809,159	A *	9/1998	Lee	.....	381/380
2,762,146	A *	9/1956	Milazzo	.....	40/1.5	6,122,369	A *	9/2000	Hwang et al.	.....	379/420.04
2,875,543	A *	3/1959	Sylvester et al.	.....	428/30	6,810,987	B1 *	11/2004	DeKalb	.....	181/129
2,958,148	A *	11/1960	Sylvester et al.	.....	428/30	D511,157	S *	11/2005	Johnson	.....	D14/223
3,745,966	A *	7/1973	Seager	.....	116/311	D512,049	S *	11/2005	Yang	.....	D14/223
D270,069	S *	8/1983	Wallace	.....	D16/237	D514,552	S *	2/2006	Lee et al.	.....	D14/223
D278,234	S *	4/1985	Saito	.....	D14/205	D523,846	S *	6/2006	Lee	.....	D14/205
4,646,872	A *	3/1987	Kamon et al.	.....	181/129	D531,169	S *	10/2006	Tokioka et al.	.....	D14/223
4,742,887	A *	5/1988	Yamagishi	.....	181/129	D533,868	S *	12/2006	Koizumi	.....	D14/223
4,885,193	A *	12/1989	Head	.....	428/14	D554,109	S *	10/2007	Ledbetter et al.	.....	D14/223
4,953,933	A *	9/1990	Asmar	.....	385/124	D555,152	S *	11/2007	Wang	.....	D14/223
D311,007	S *	10/1990	Daido	.....	D14/205	7,319,762	B2 *	1/2008	Andrea et al.	.....	381/74
4,977,975	A *	12/1990	Lazzeroni et al.	.....	181/129	D566,687	S *	4/2008	Duarte et al.	.....	D14/205
D318,473	S *	7/1991	Miyashita et al.	.....	D14/223	D568,291	S *	5/2008	Andre et al.	.....	D14/205
D318,670	S *	7/1991	Taniguchi	.....	D14/205	D573,977	S *	7/2008	Ledbetter et al.	.....	D14/205
D318,864	S *	8/1991	Daido et al.	.....	D14/205	D575,269	S *	8/2008	Ledbetter et al.	.....	D14/205
D318,865	S *	8/1991	Ichikawa	.....	D14/205	D576,154	S *	9/2008	Ledbetter et al.	.....	D14/223
5,222,151	A *	6/1993	Nagayoshi et al.	.....	381/380	D599,785	S *	9/2009	Matsuda et al.	.....	D14/223

\* cited by examiner

Figure 1

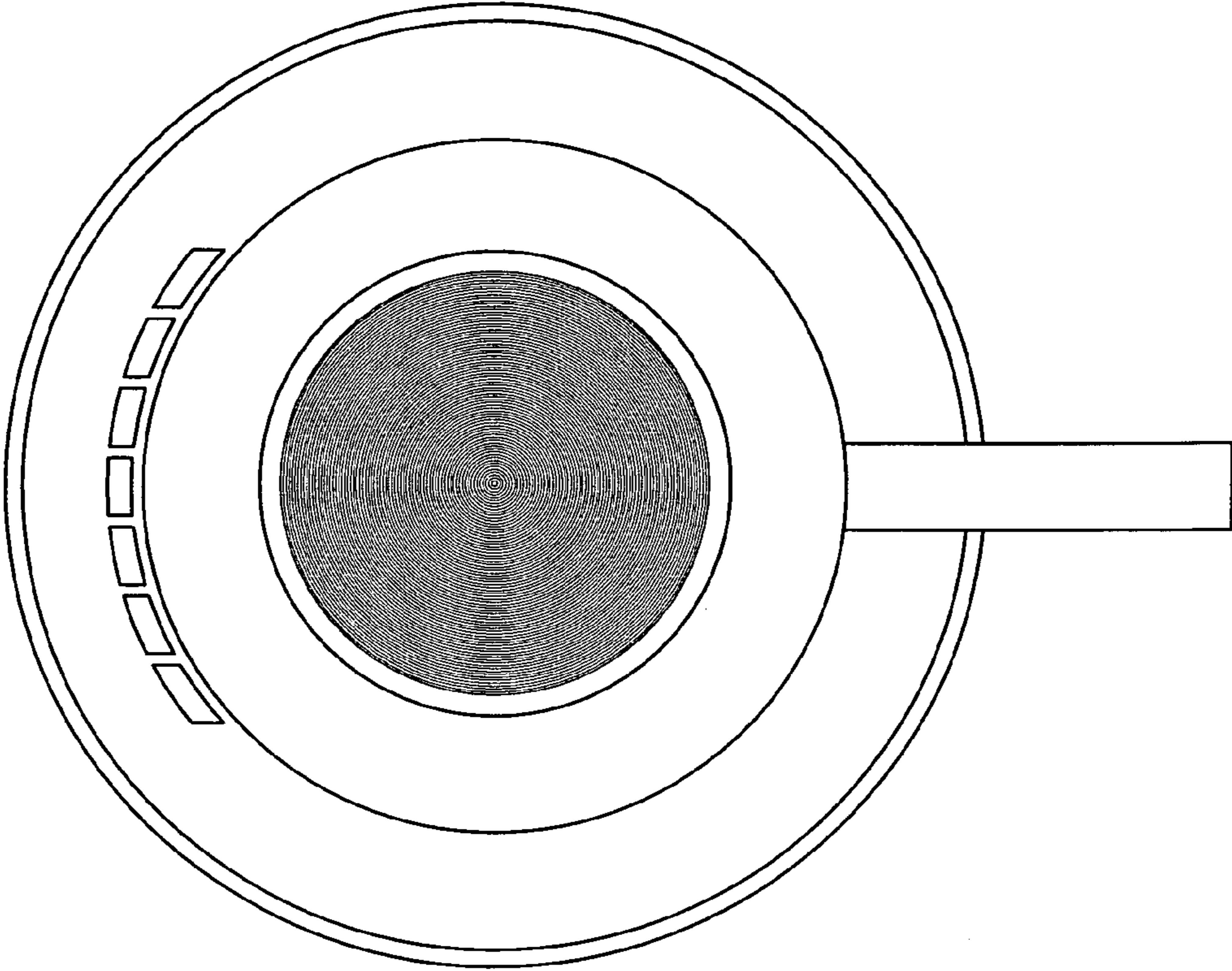


Figure 2

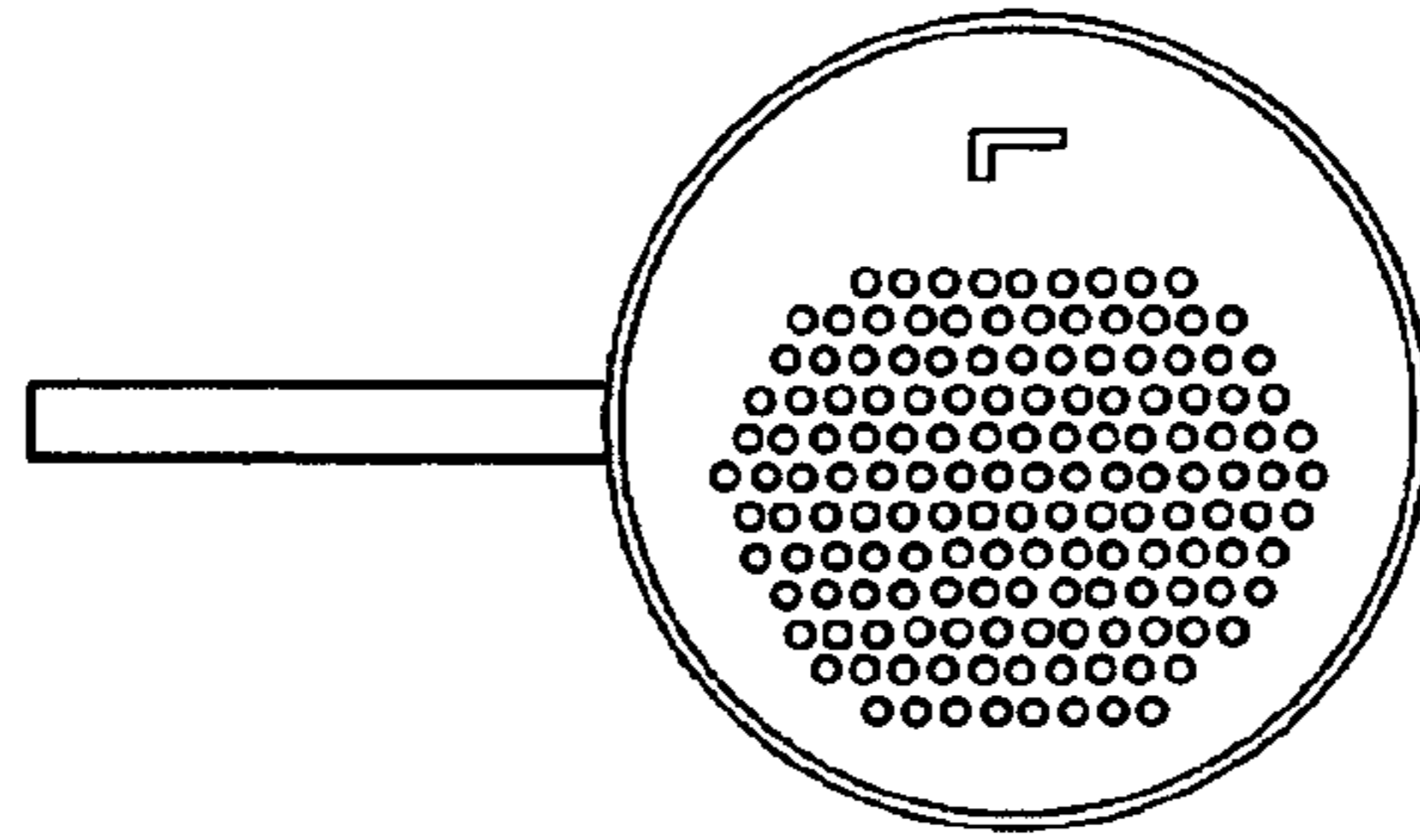


Figure 3

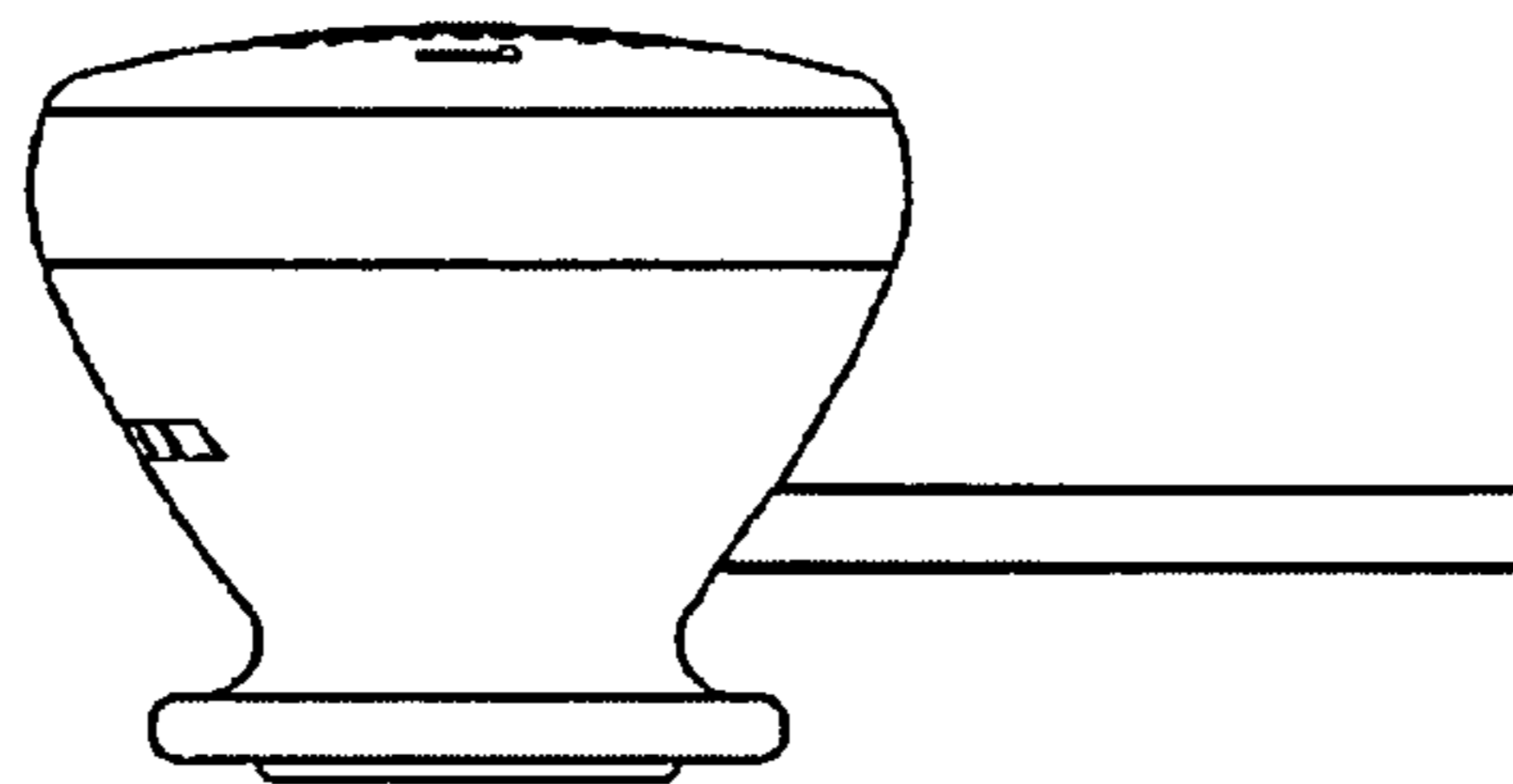


Figure 4

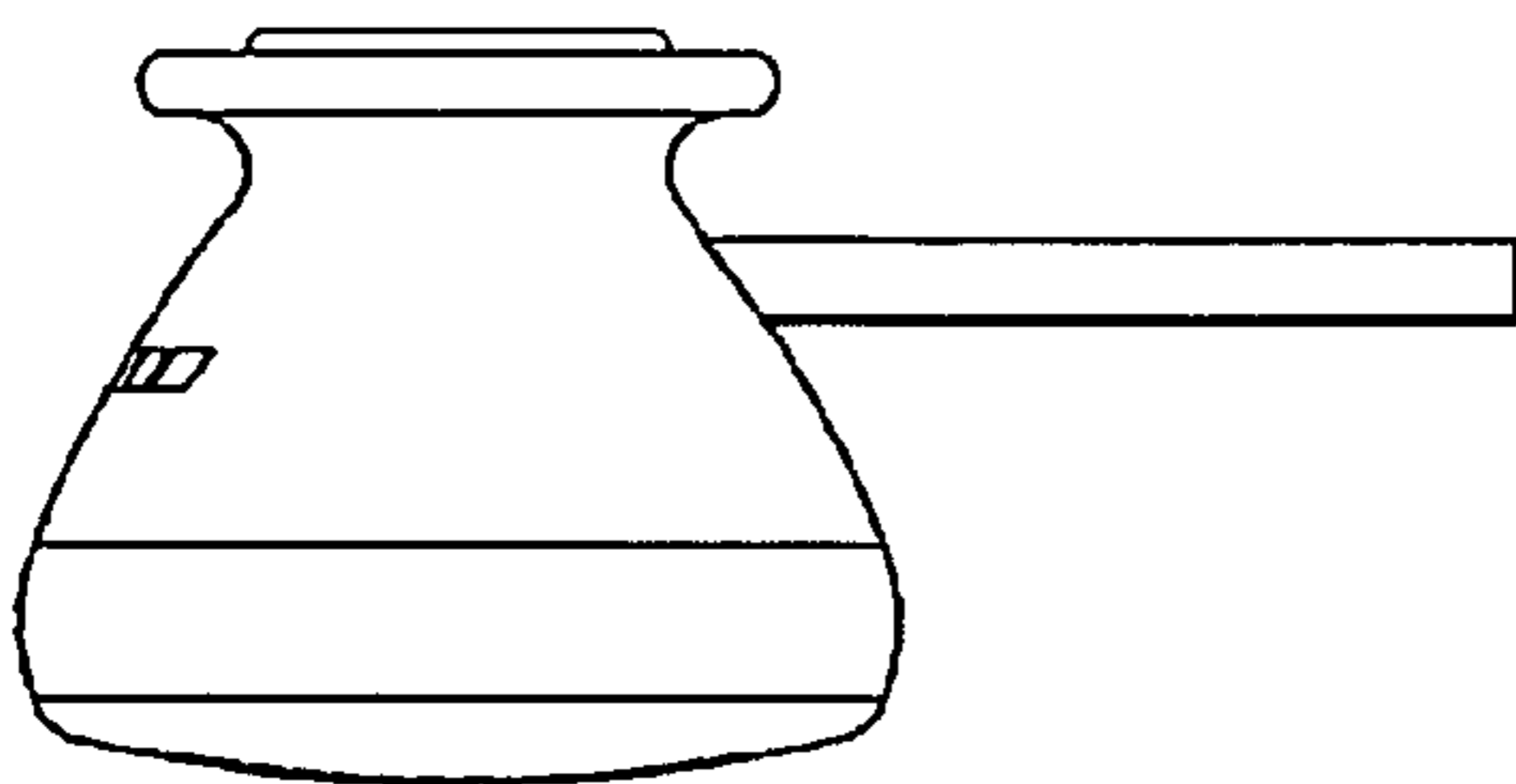


Figure 5

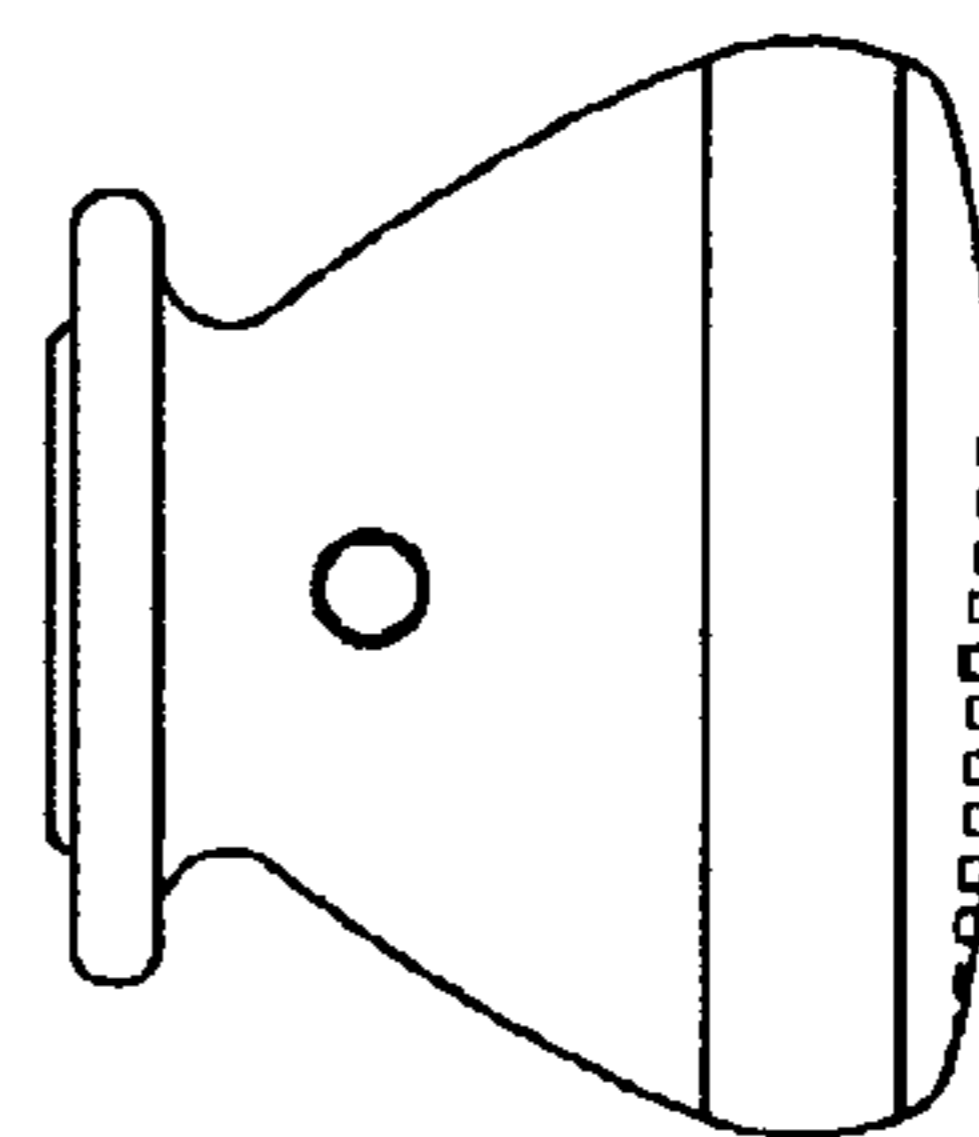




Figure 6

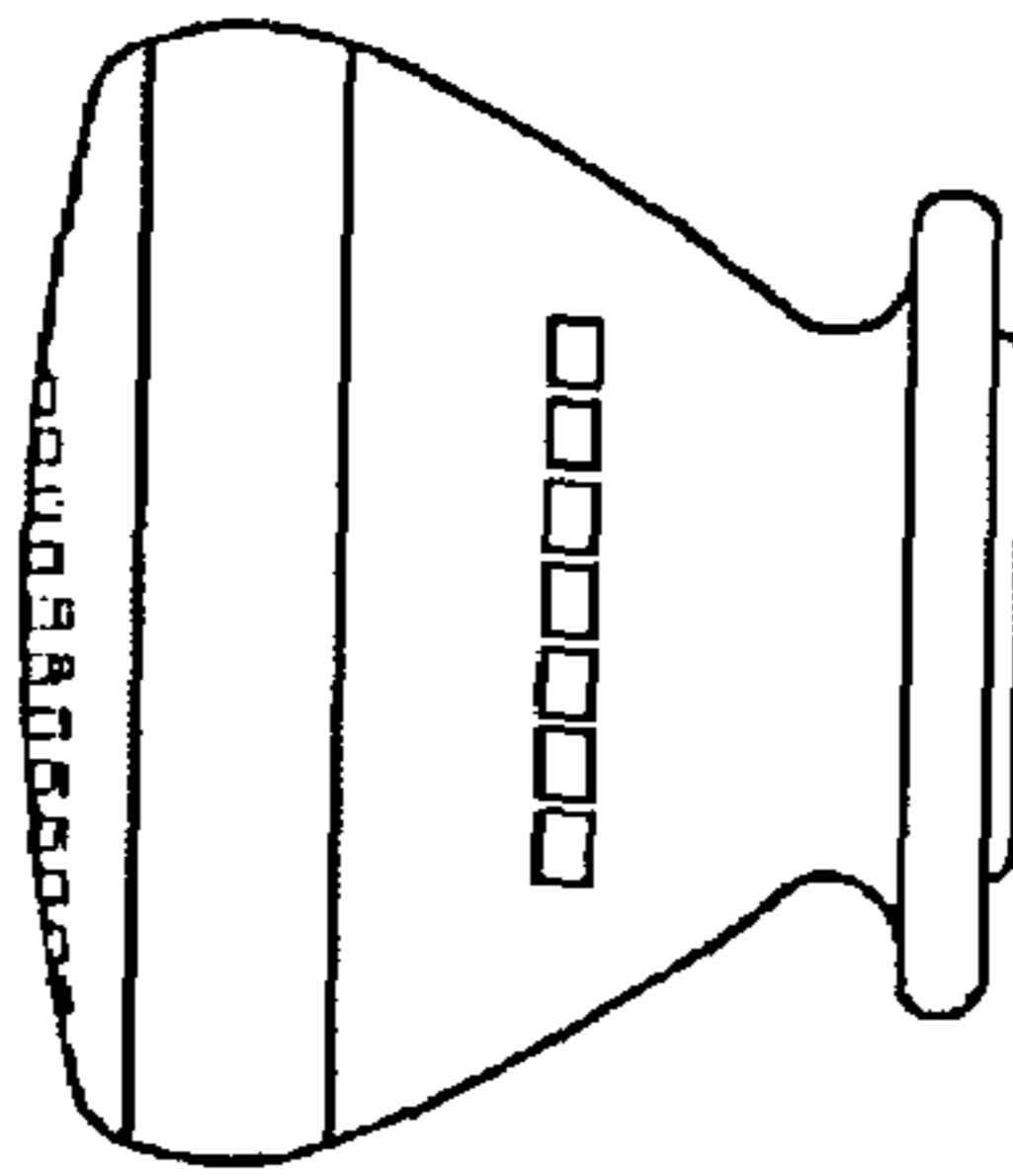


Figure 9

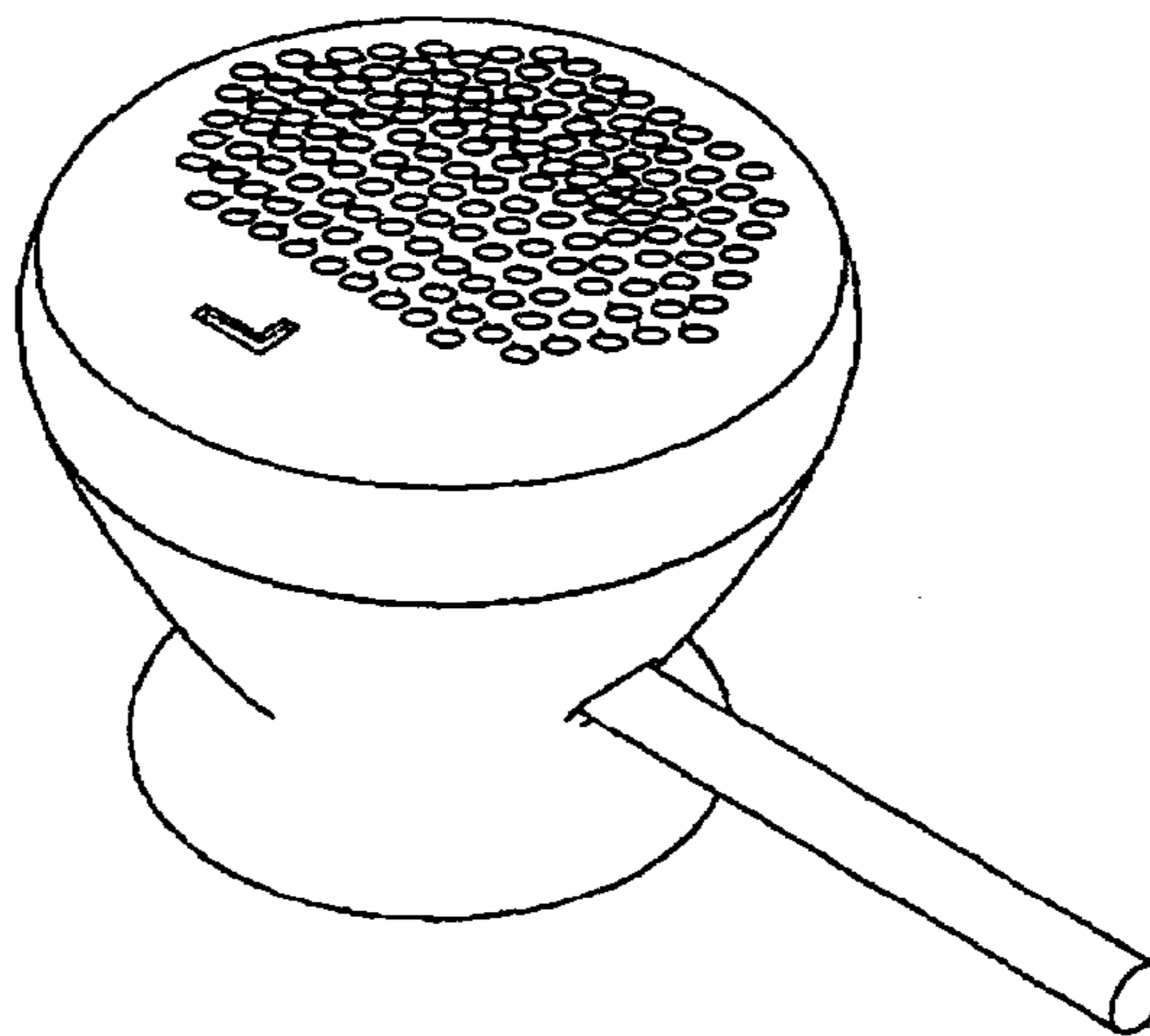


Figure 10

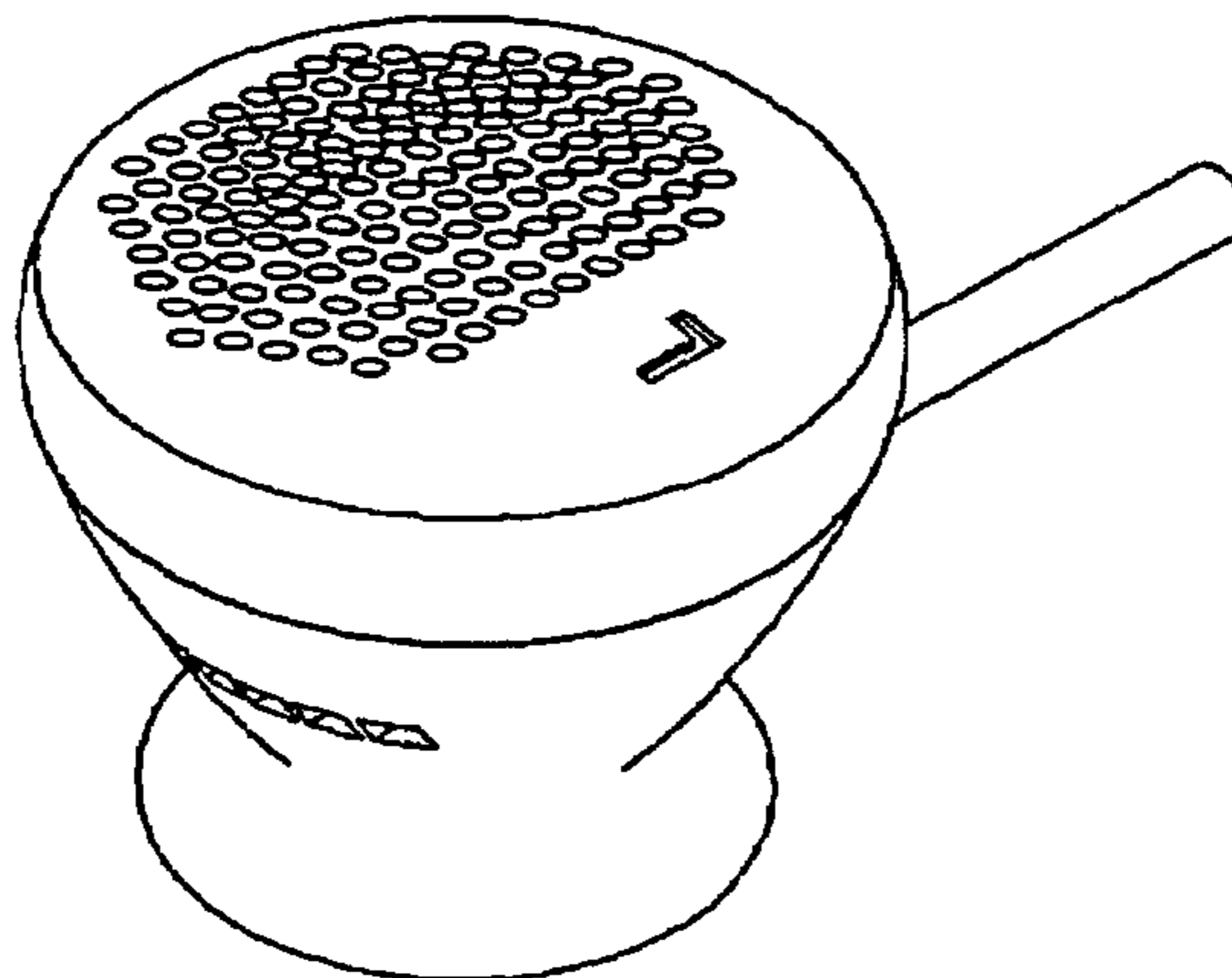


Figure 7

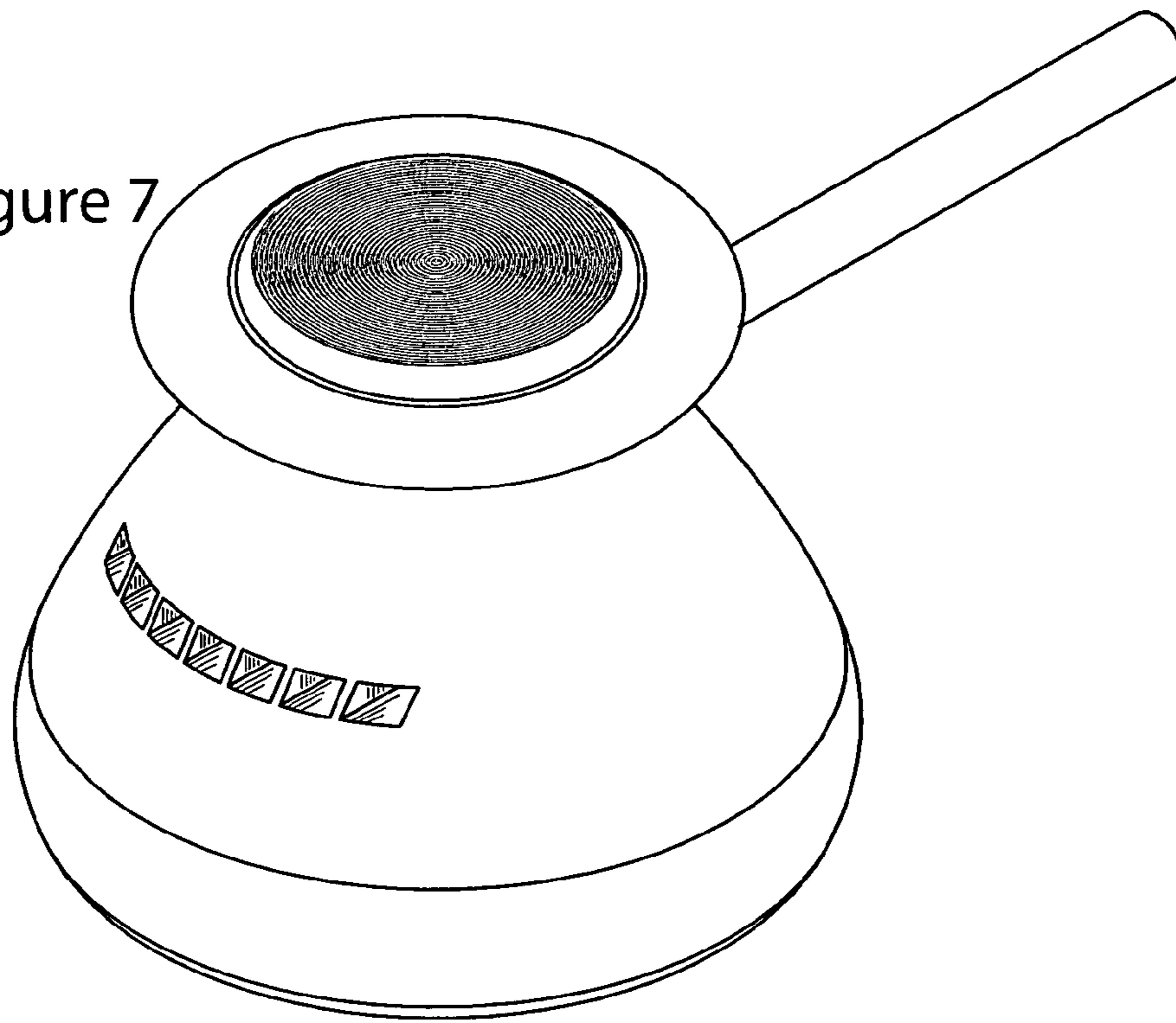


Figure 8

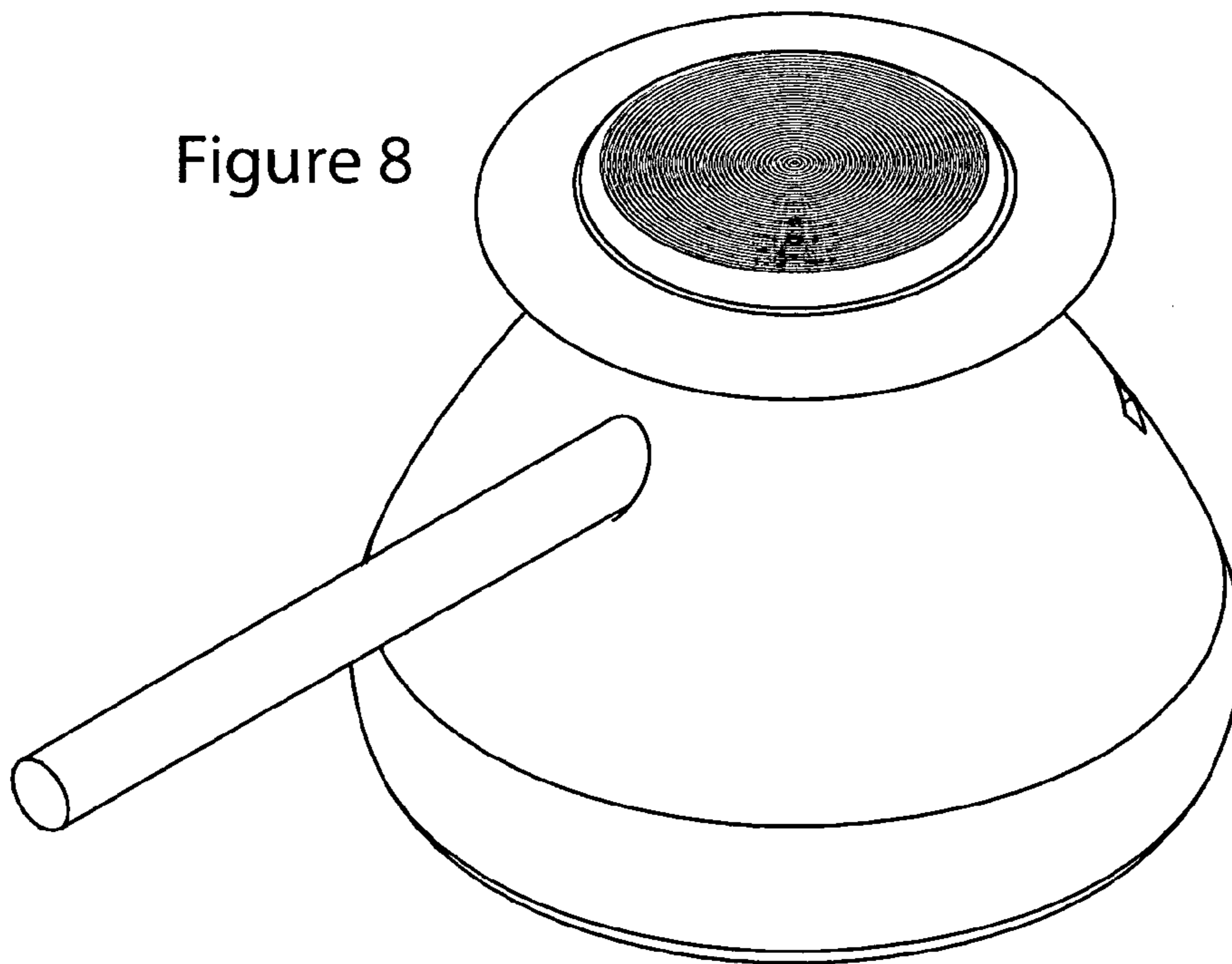


Figure 11

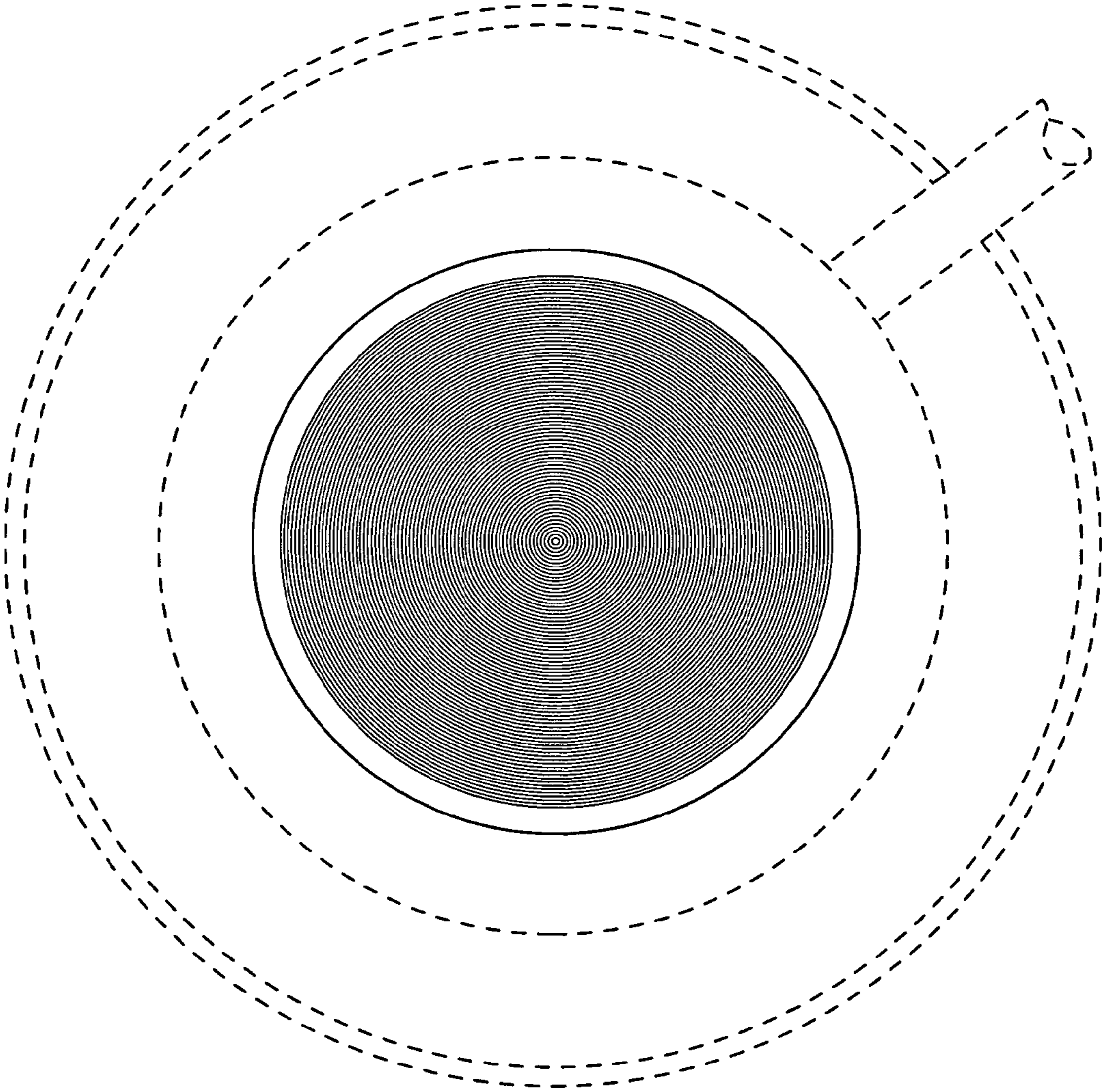


Figure 12

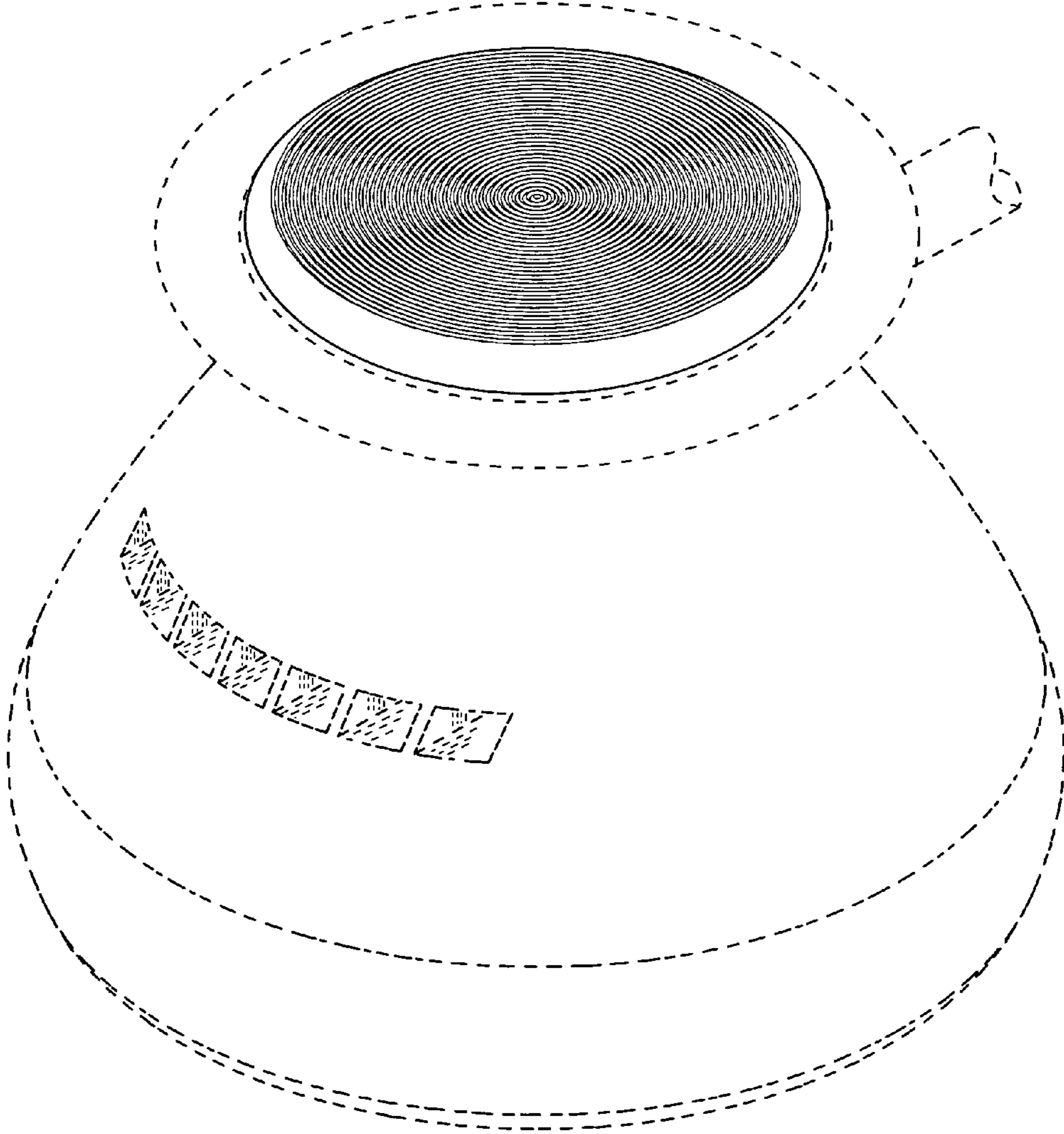




Figure 13

