



US00D606046S

(12) **United States Design Patent**
Bradford et al.

(10) **Patent No.:** **US D606,046 S**

(45) **Date of Patent:** **** Dec. 15, 2009**

(54) **INPUT DEVICE**

(75) Inventors: **Simon Bradford**, Espoo (FI); **Sami Lehtovaara**, Turku (FI)

(73) Assignee: **Nokia Corporation**, Espoo (FI)

(**) Term: **14 Years**

(21) Appl. No.: **29/302,849**

(22) Filed: **Jan. 25, 2008**

(51) **LOC (9) Cl.** **14-03**

(52) **U.S. Cl.** **D14/218; D14/402**

(58) **Field of Classification Search** D14/402-410,
D14/356, 388, 389, 383-385, 417, 426, 218;
345/156-167; 463/36-38; 358/471, 473
See application file for complete search history.

(56) **References Cited**

U.S. PATENT DOCUMENTS

D281,776 S *	12/1985	Griffin	D14/417
D285,445 S *	9/1986	Davis et al.	D14/404
D288,930 S *	3/1987	Barbera et al.	D14/402
4,952,919 A *	8/1990	Nippoldt	345/167
D315,552 S *	3/1991	Sacherman	D14/417
D338,881 S *	8/1993	Soma	D14/408
D352,931 S *	11/1994	Tsuji	D13/168
5,410,332 A *	4/1995	Barry et al.	345/164
D373,122 S	8/1996	Lo	
D385,263 S	10/1997	Taylor	
D438,211 S	2/2001	Jones et al.	
D440,971 S	4/2001	Gombert	
6,486,868 B1 *	11/2002	Kazarian	345/156
D467,911 S *	12/2002	Lee	D14/243
D483,764 S	12/2003	Masamitsu et al.	

D505,956 S *	6/2005	Mouri	D14/402
D516,929 S *	3/2006	Vipond et al.	D10/104
D520,991 S *	5/2006	Ma et al.	D14/240
D535,903 S *	1/2007	Nicolai	D10/106
D550,671 S *	9/2007	Nelson	D14/406
D573,981 S *	7/2008	Hoehn et al.	D14/218
D577,713 S *	9/2008	Kim et al.	D14/218
D582,395 S *	12/2008	Ikeda et al.	D14/218
D585,428 S *	1/2009	Ikeda et al.	D14/218
D596,163 S *	7/2009	Madonna et al.	D14/218

* cited by examiner

Primary Examiner—Cathron C Brooks

Assistant Examiner—Deanna Fluegeman

(74) *Attorney, Agent, or Firm*—Banner & Witcoff, Ltd.

(57) **CLAIM**

The ornamental design for an input device, as shown and described.

DESCRIPTION

FIG. 1 is a front perspective view of an input device showing our new design;

FIG. 2 is a front view thereof;

FIG. 3 is a right side view thereof;

FIG. 4 is a left side view thereof;

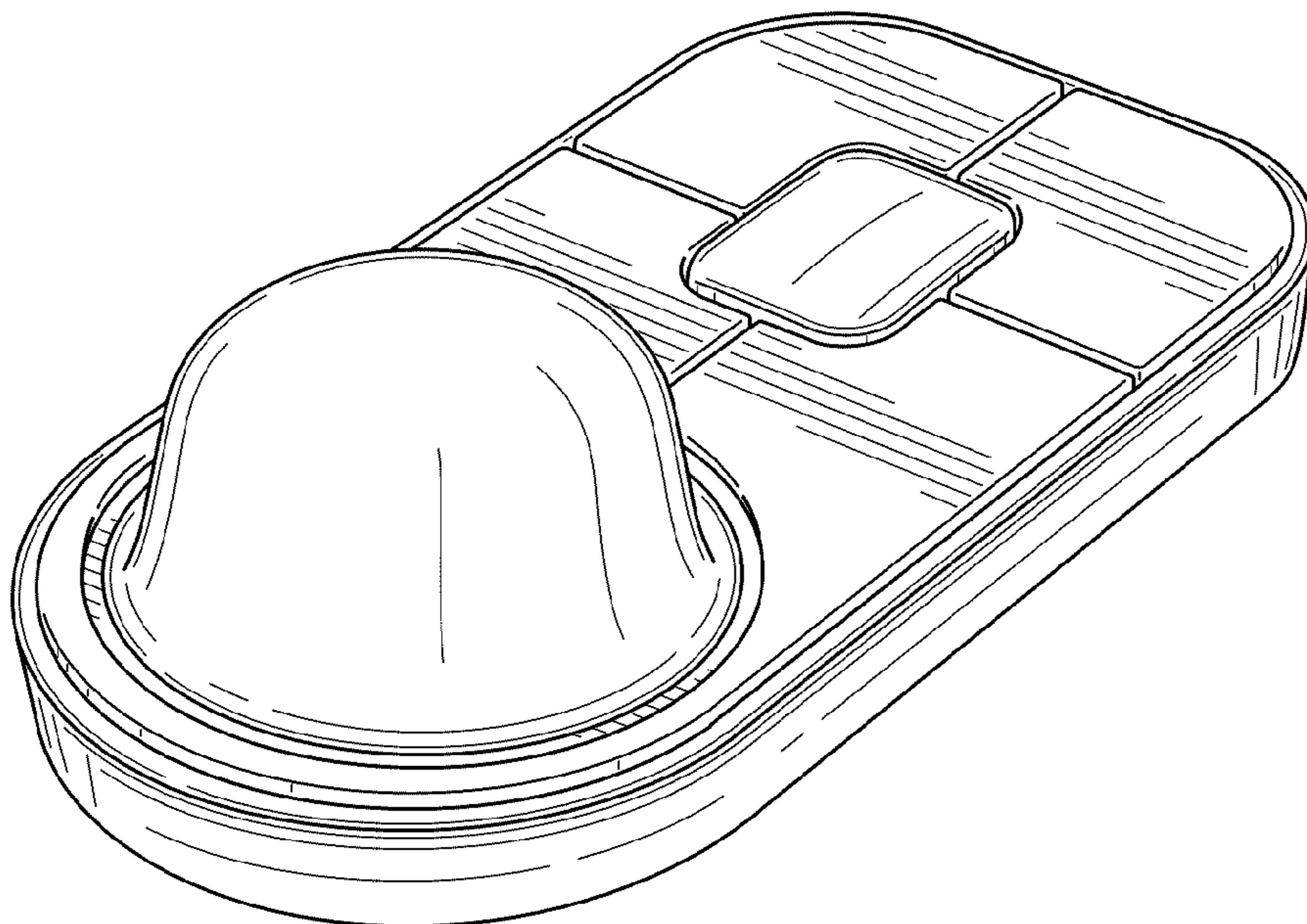
FIG. 5 is a top view thereof;

FIG. 6 is a bottom view thereof; and,

FIG. 7 is a rear view thereof.

The broken line in FIG. 7 defines the boundary of the claimed design and forms no part thereof.

1 Claim, 4 Drawing Sheets



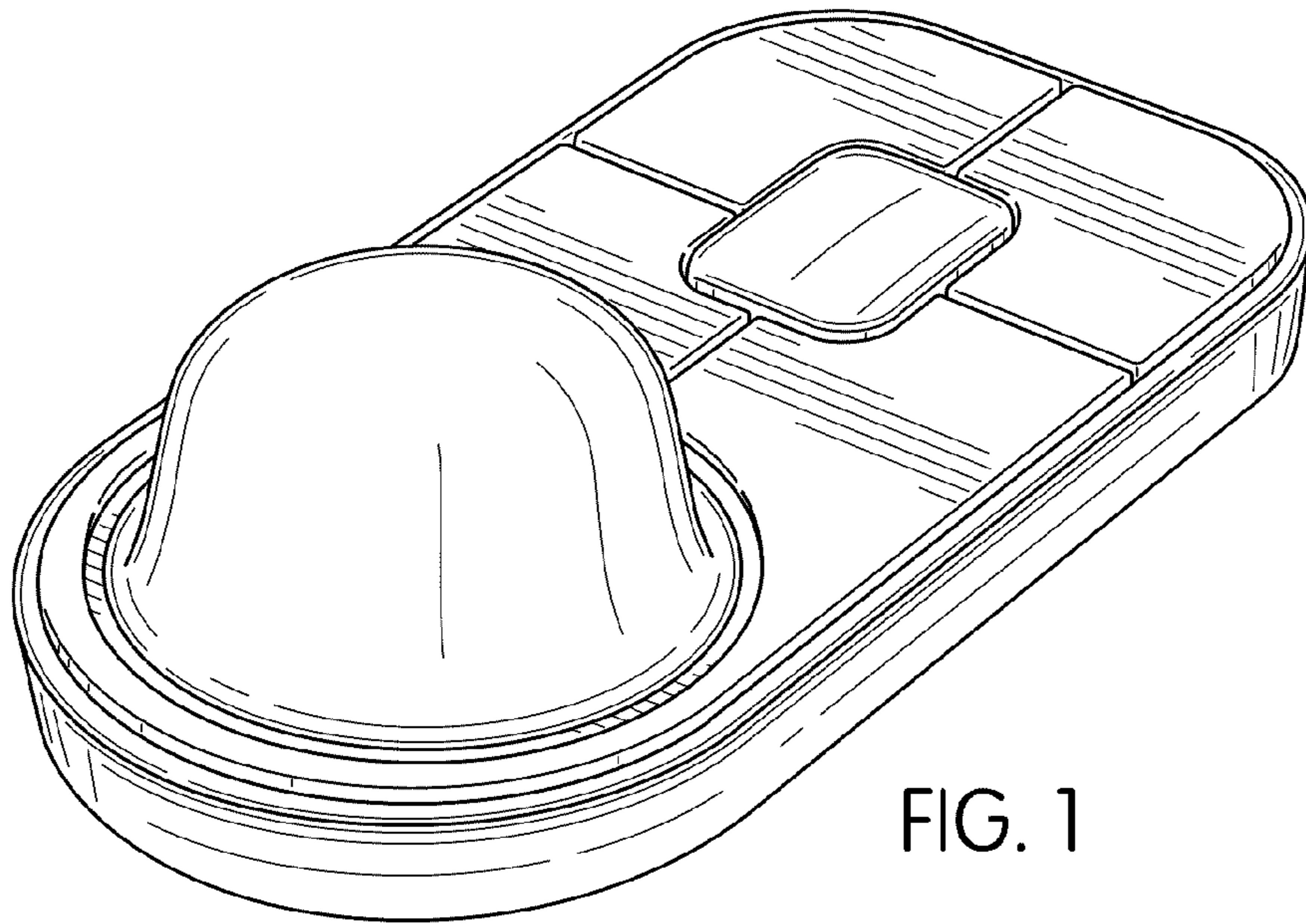


FIG. 1

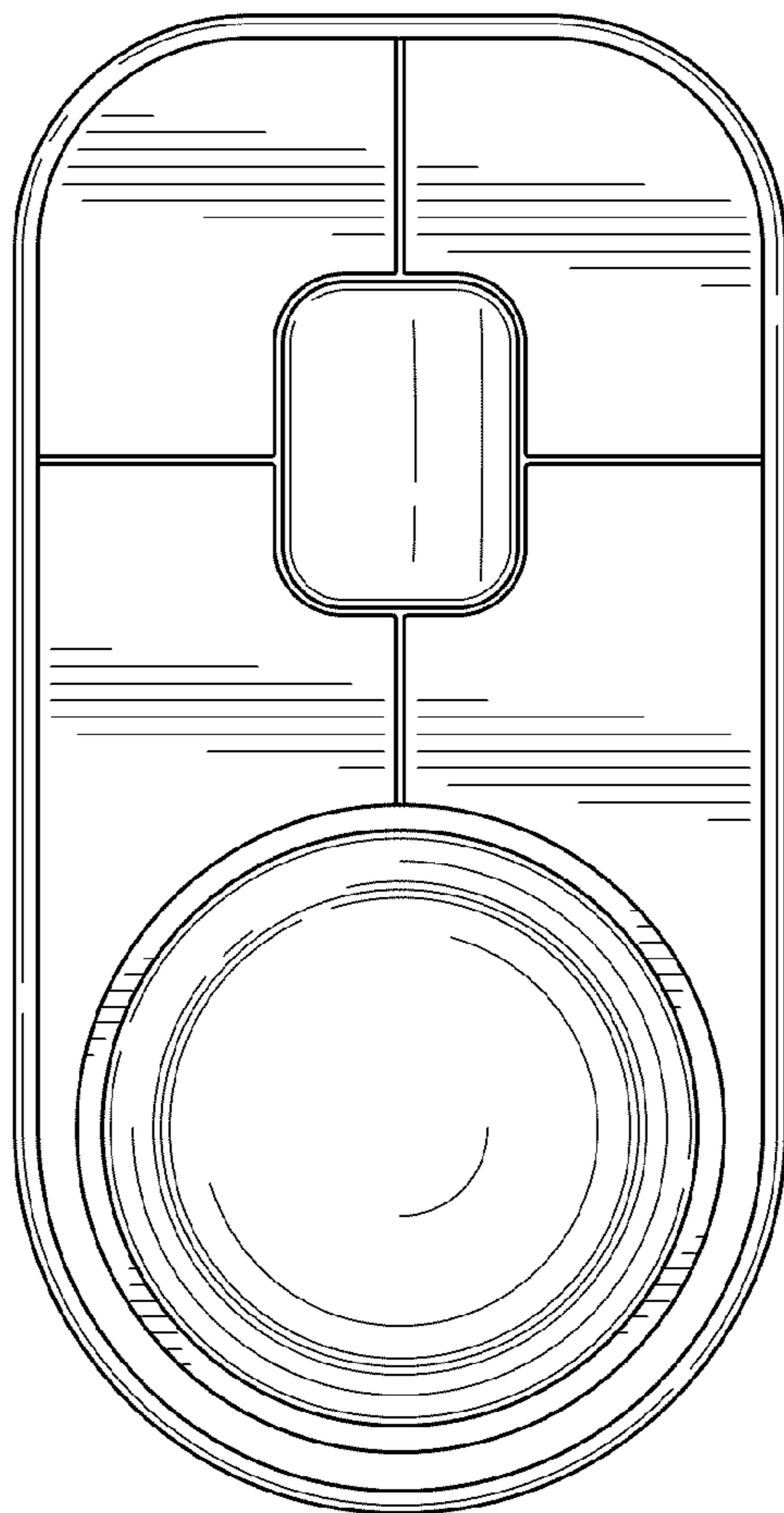


FIG. 2

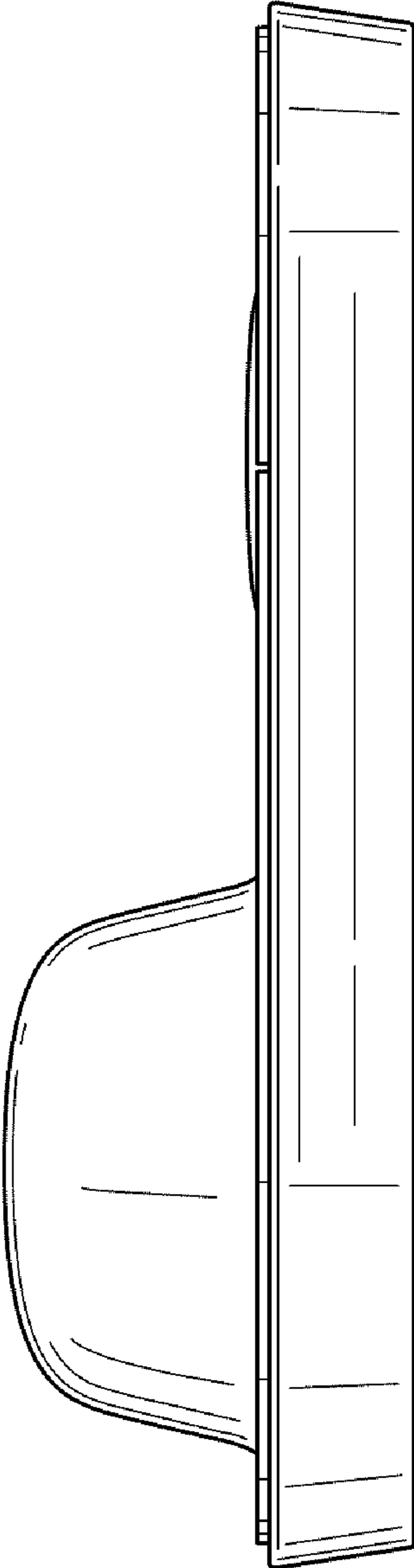


FIG. 3

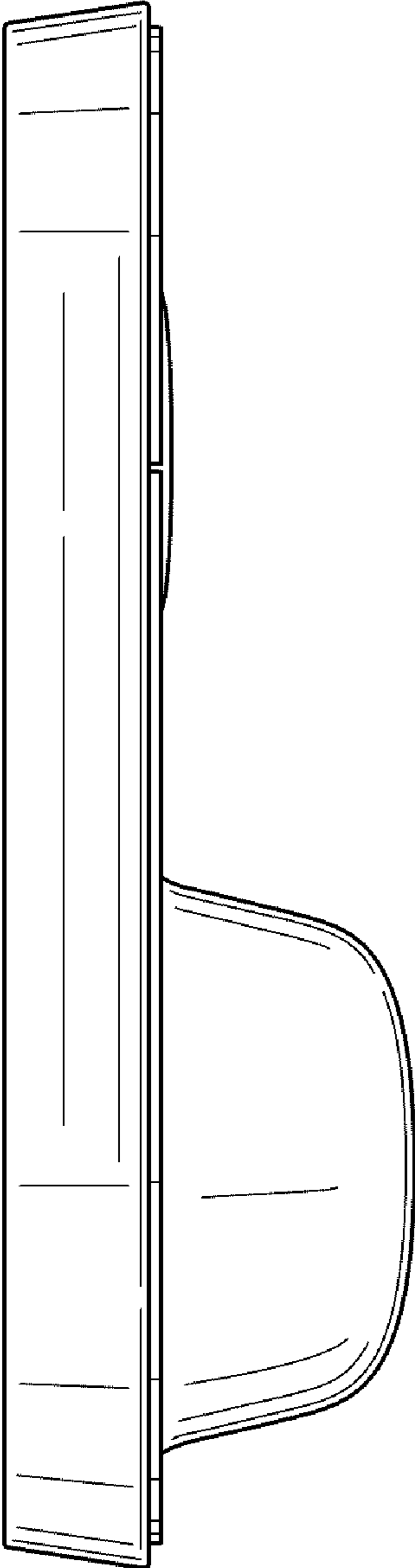


FIG. 4

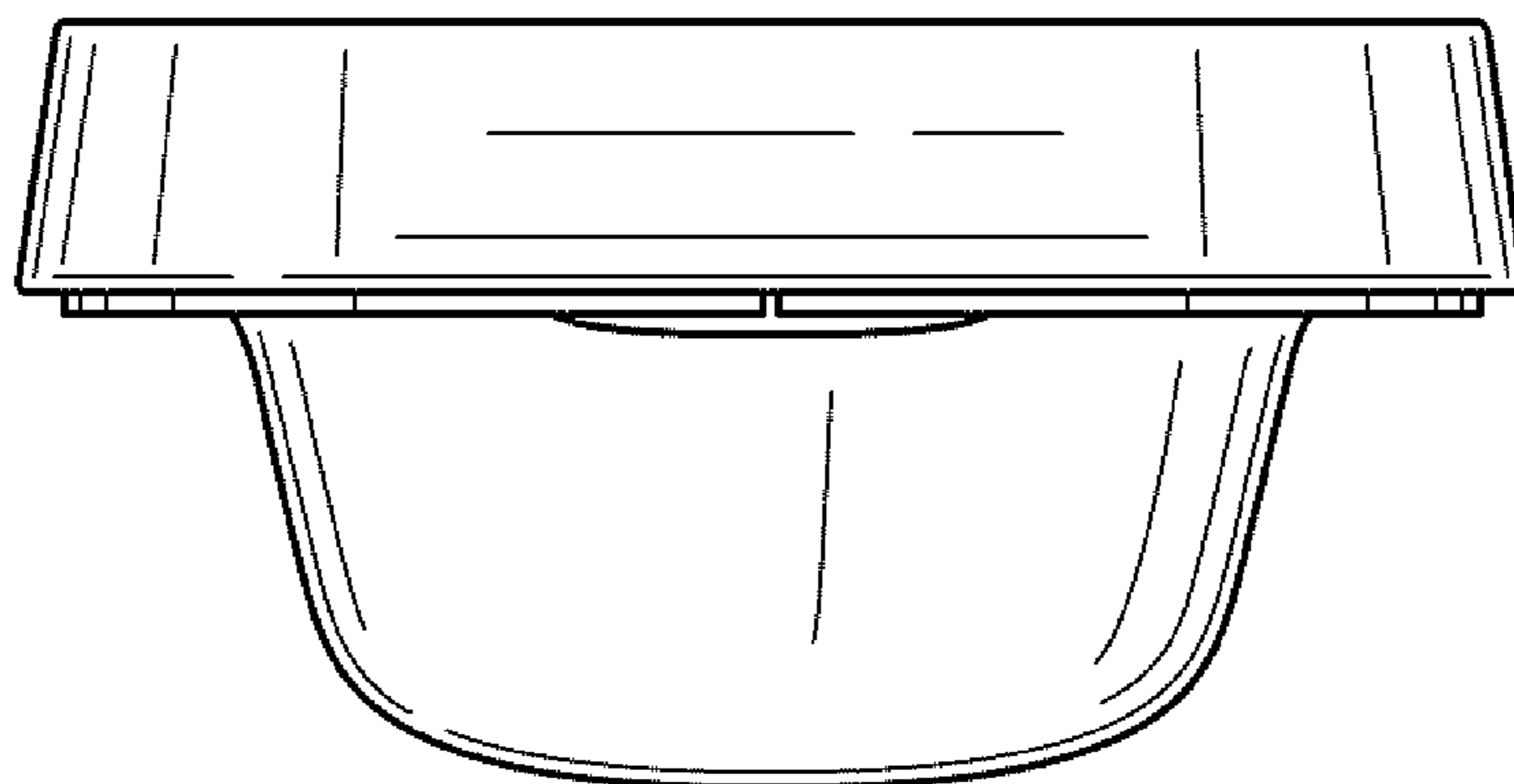


FIG. 5

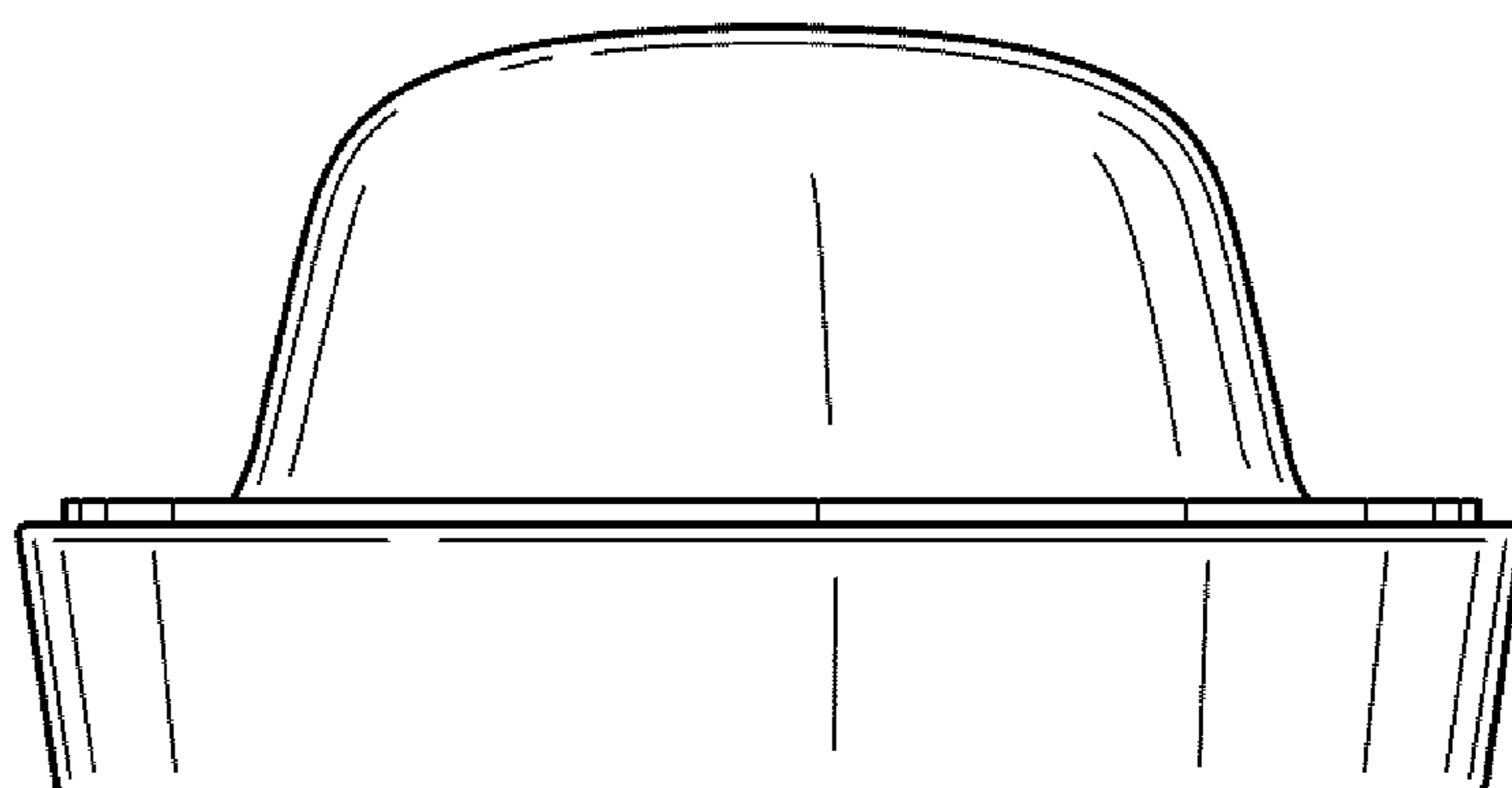


FIG. 6

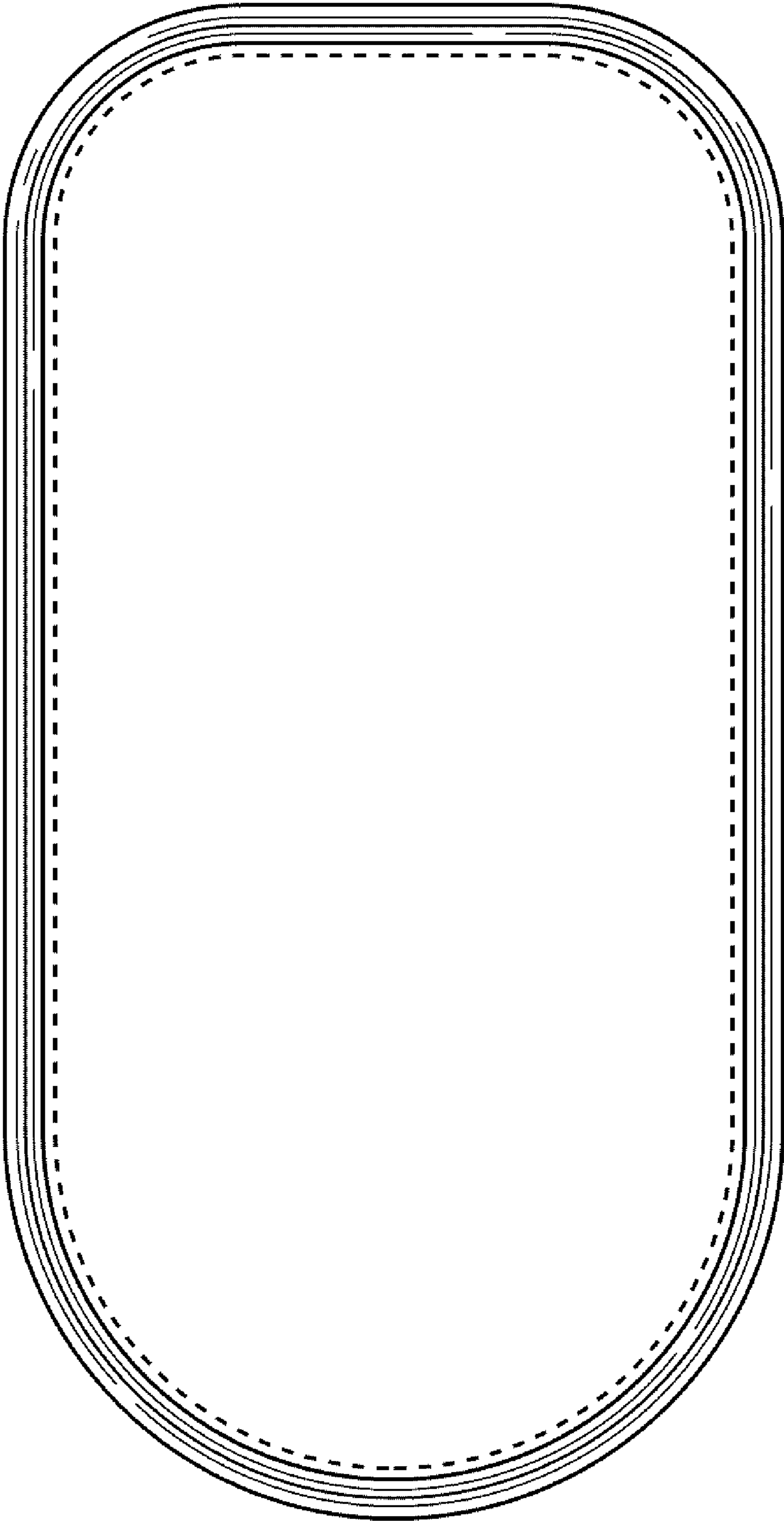


FIG. 7