



US00D606043S

(12) **United States Design Patent**  
**Lin**

(10) **Patent No.:** **US D606,043 S**

(45) **Date of Patent:** **\*\* Dec. 15, 2009**

(54) **SPEAKER**

(75) Inventor: **Yu-Shen Lin**, Taipei (TW)

(73) Assignee: **A-Power International Co., Ltd.** (TW)

(\*\*) Term: **14 Years**

(21) Appl. No.: **29/311,434**

(22) Filed: **Mar. 16, 2009**

(51) **LOC (9) Cl.** ..... **14-01**

(52) **U.S. Cl.** ..... **D14/216**

(58) **Field of Classification Search** ..... D14/204,  
D14/207, 210–216, 172; 181/143–144, 147–148,  
181/150–153, 157, 159, 198–199; 381/300–303,  
381/306, 332–333, 336, 340, 343, 345, 361–364,  
381/386–388

See application file for complete search history.

(56) **References Cited**

**U.S. PATENT DOCUMENTS**

- D537,071 S \* 2/2007 Chen ..... D14/215
- D551,656 S \* 9/2007 Ritsher et al. .... D14/216
- D555,636 S \* 11/2007 Chen et al. .... D14/216

D573,579 S \* 7/2008 Yamaguchi ..... D14/216

\* cited by examiner

*Primary Examiner*—Nanda Bondade

(74) *Attorney, Agent, or Firm*—HersHKovitz & Associates, LLC; Abraham HersHKovitz

(57) **CLAIM**

The ornamental design for a speaker, as shown and described.

**DESCRIPTION**

FIG. 1 is a front perspective view of a speaker showing my new design;

FIG. 2 is a front view thereof;

FIG. 3 is a rear view thereof;

FIG. 4 is a left side view thereof;

FIG. 5 is a right side view thereof;

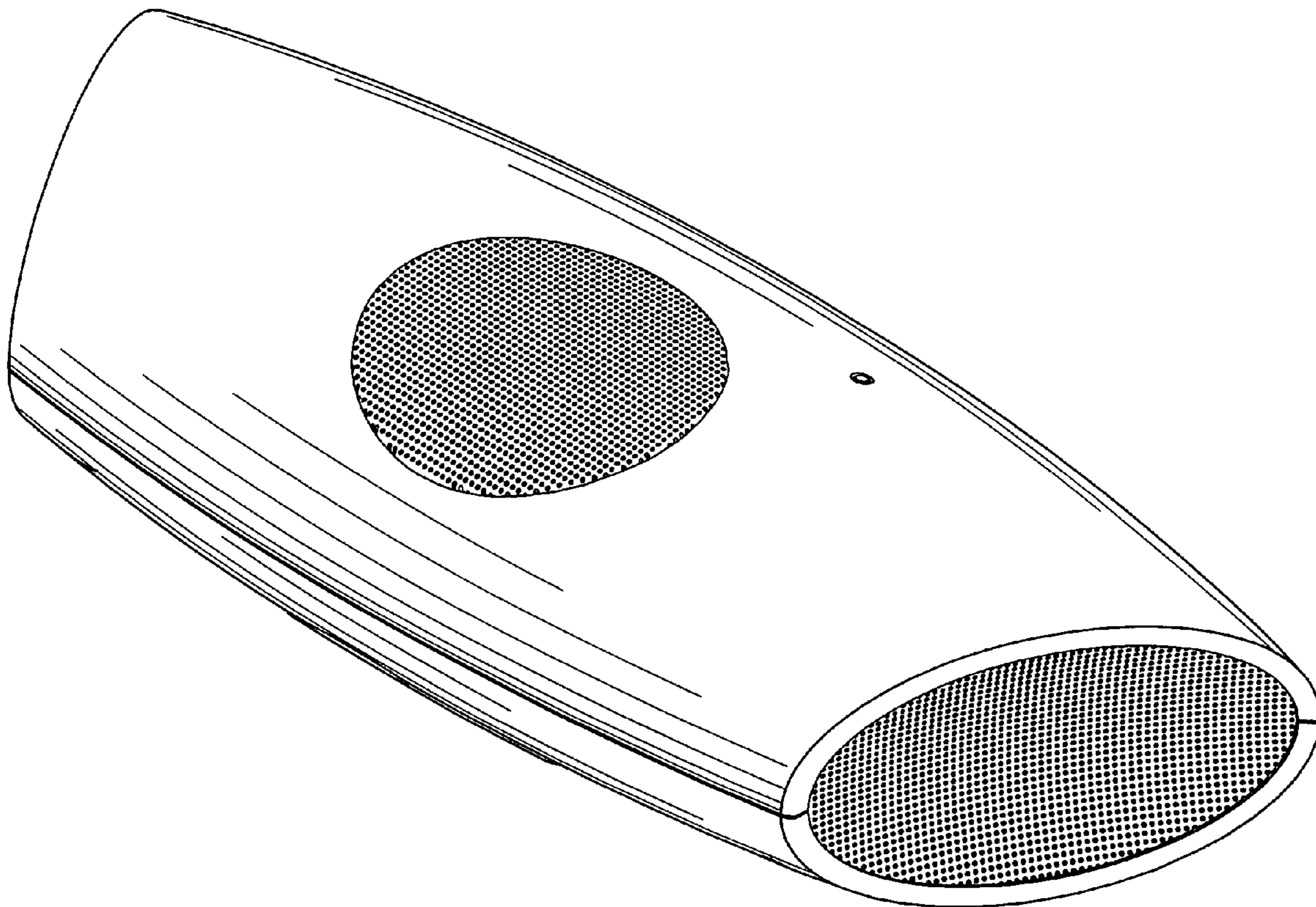
FIG. 6 is top view thereof;

FIG. 7 is a bottom view thereof; and,

FIG. 8 is a rear perspective view thereof.

The broken lines are shown for illustrative purposes only and form no part of the claimed design.

**1 Claim, 8 Drawing Sheets**



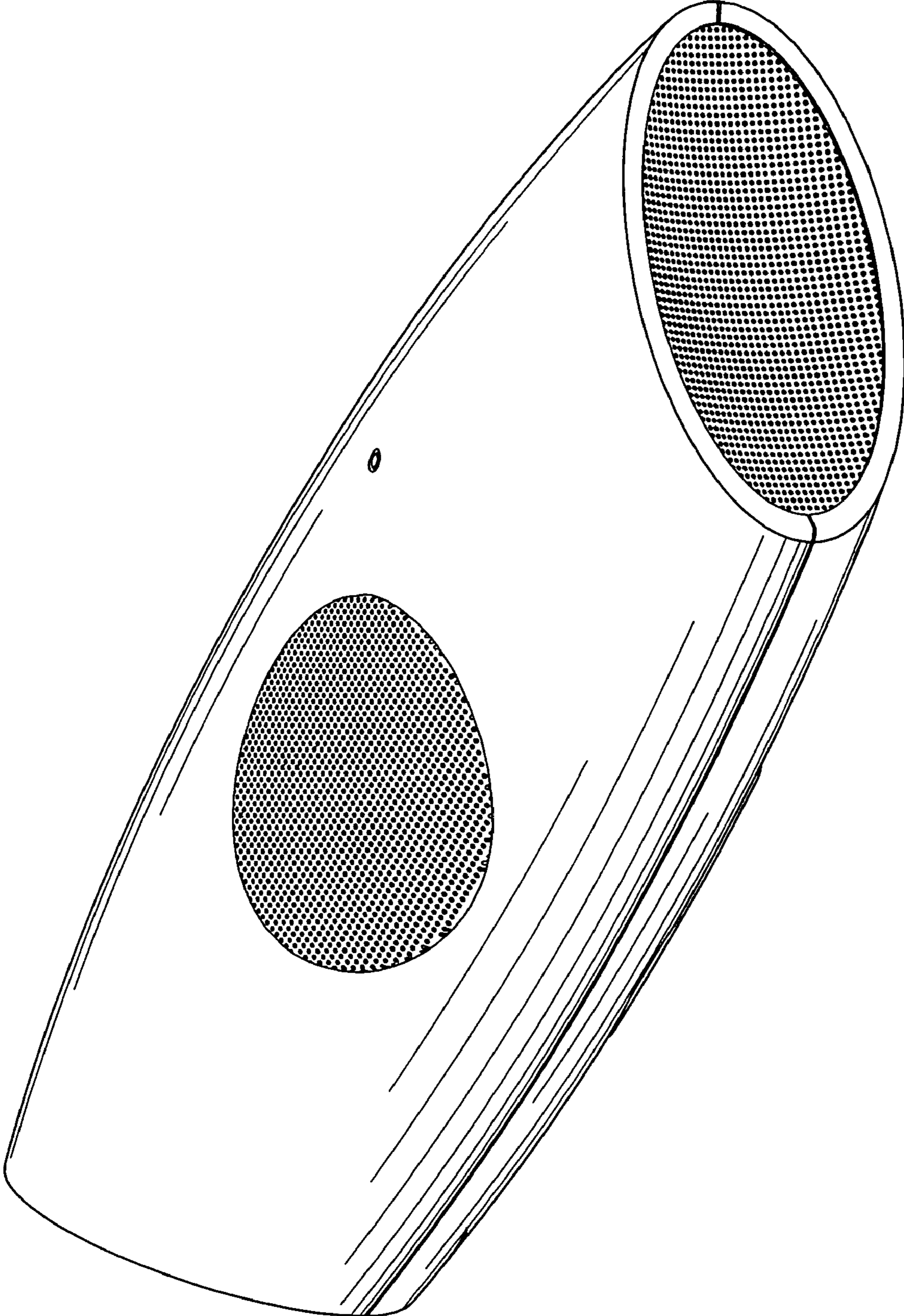


FIG.1

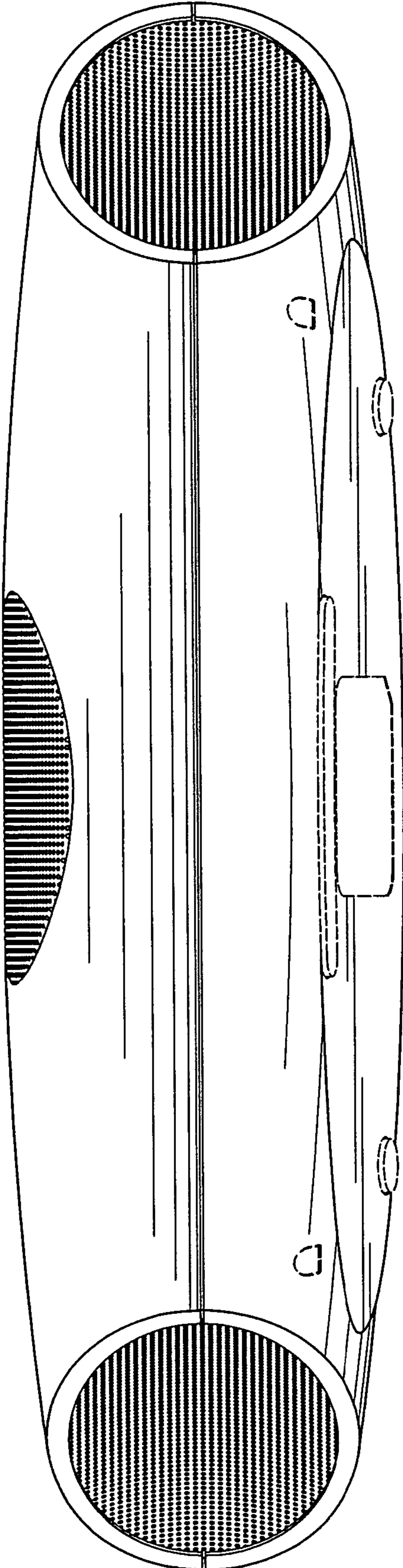


FIG.2

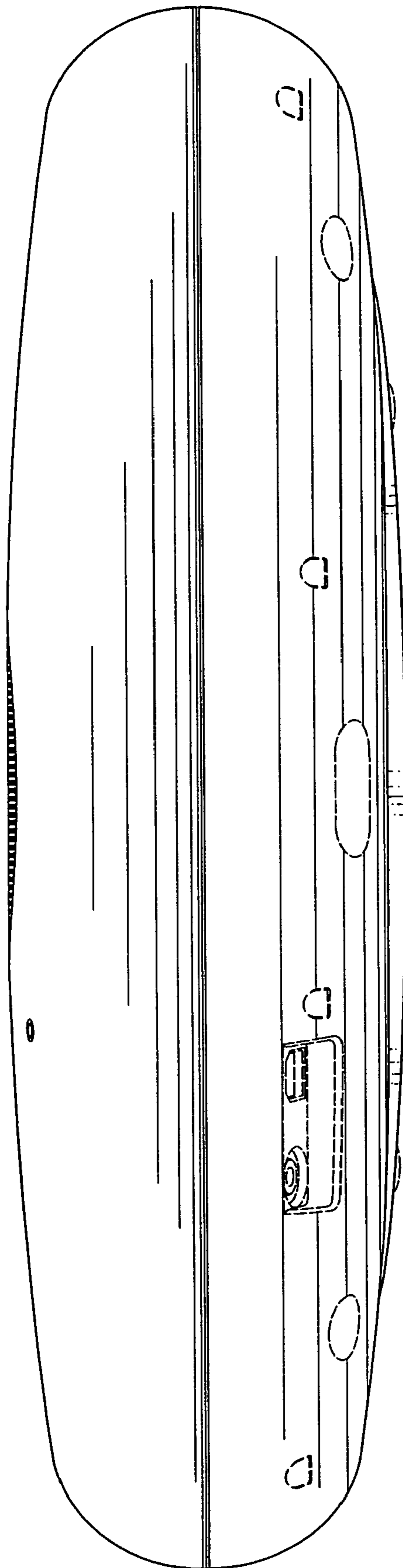


FIG.3

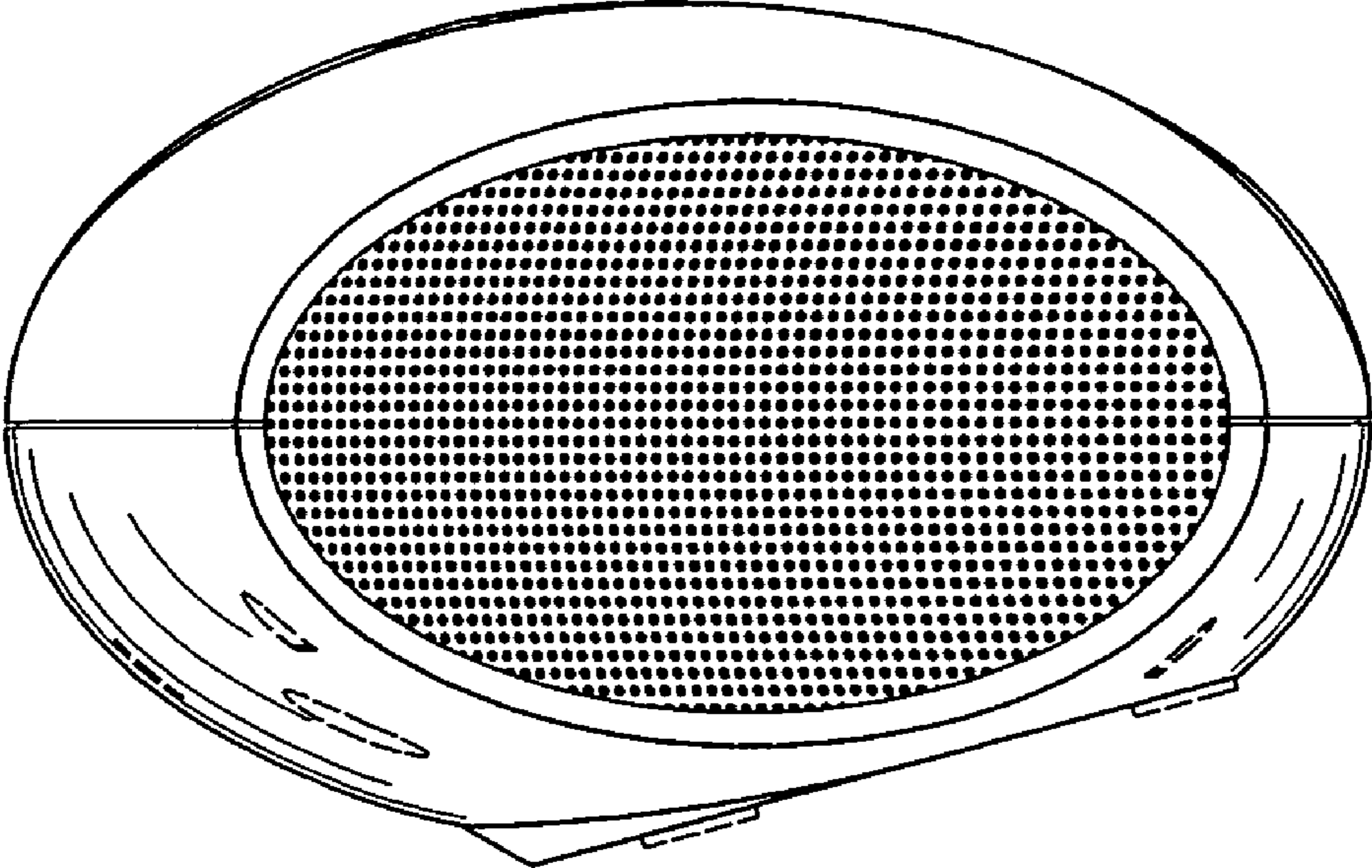


FIG.4

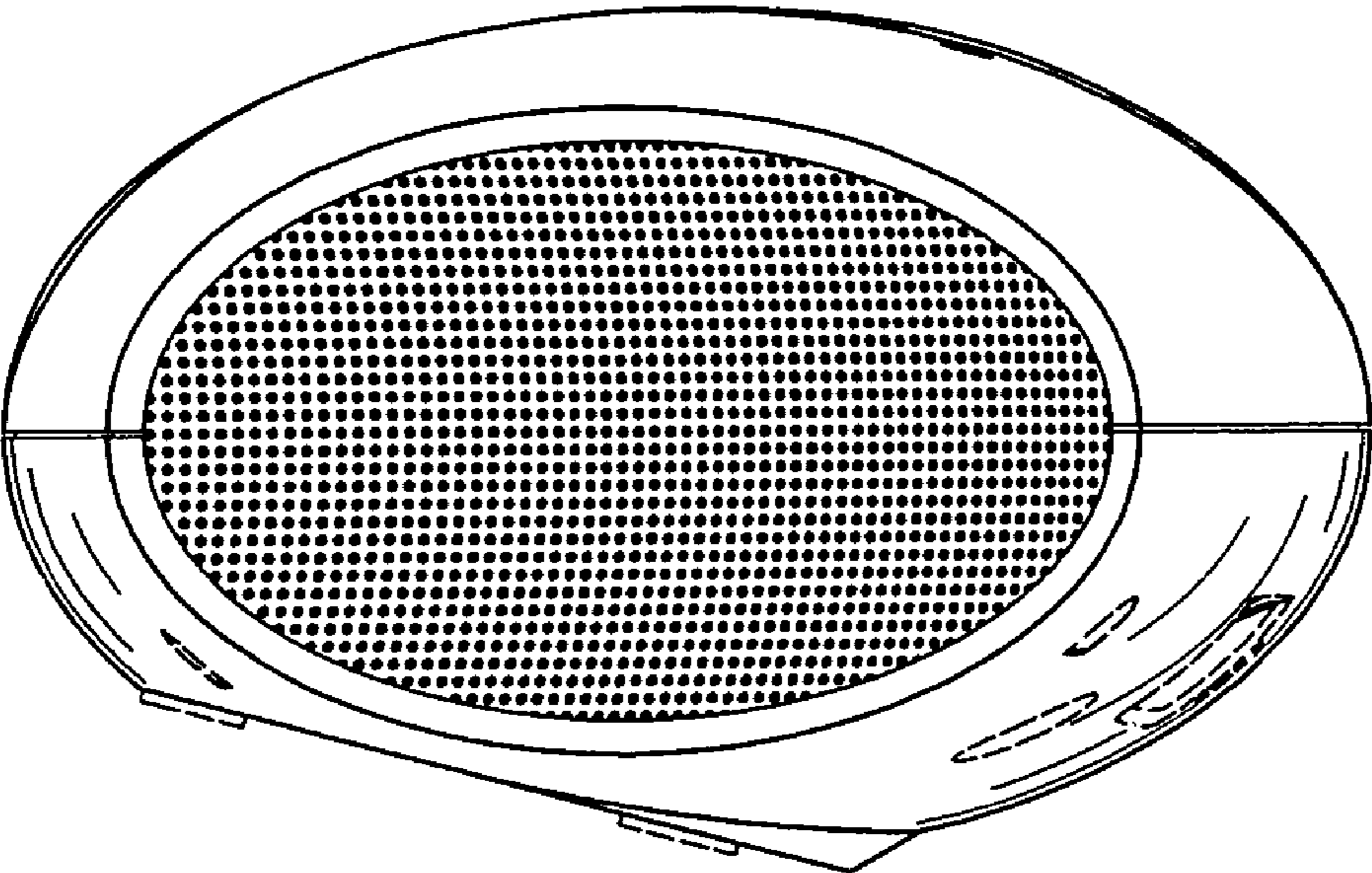


FIG.5

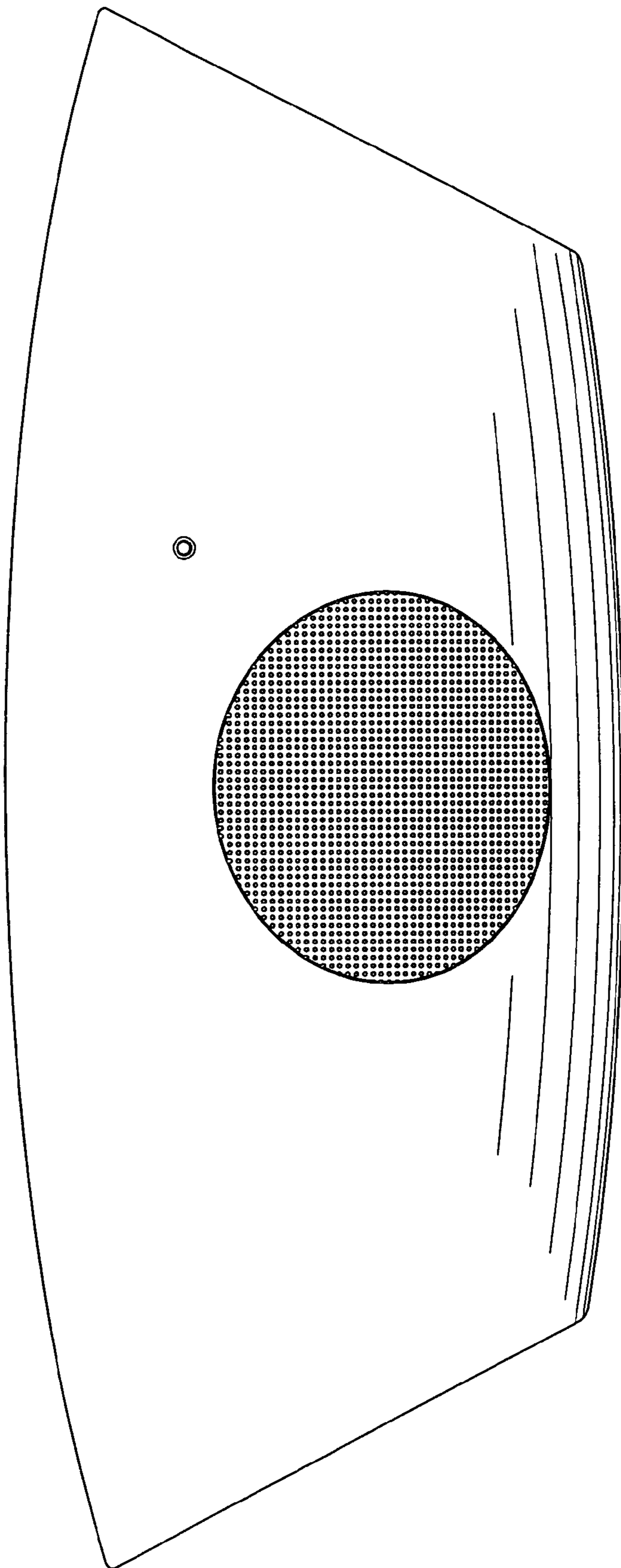


FIG.6

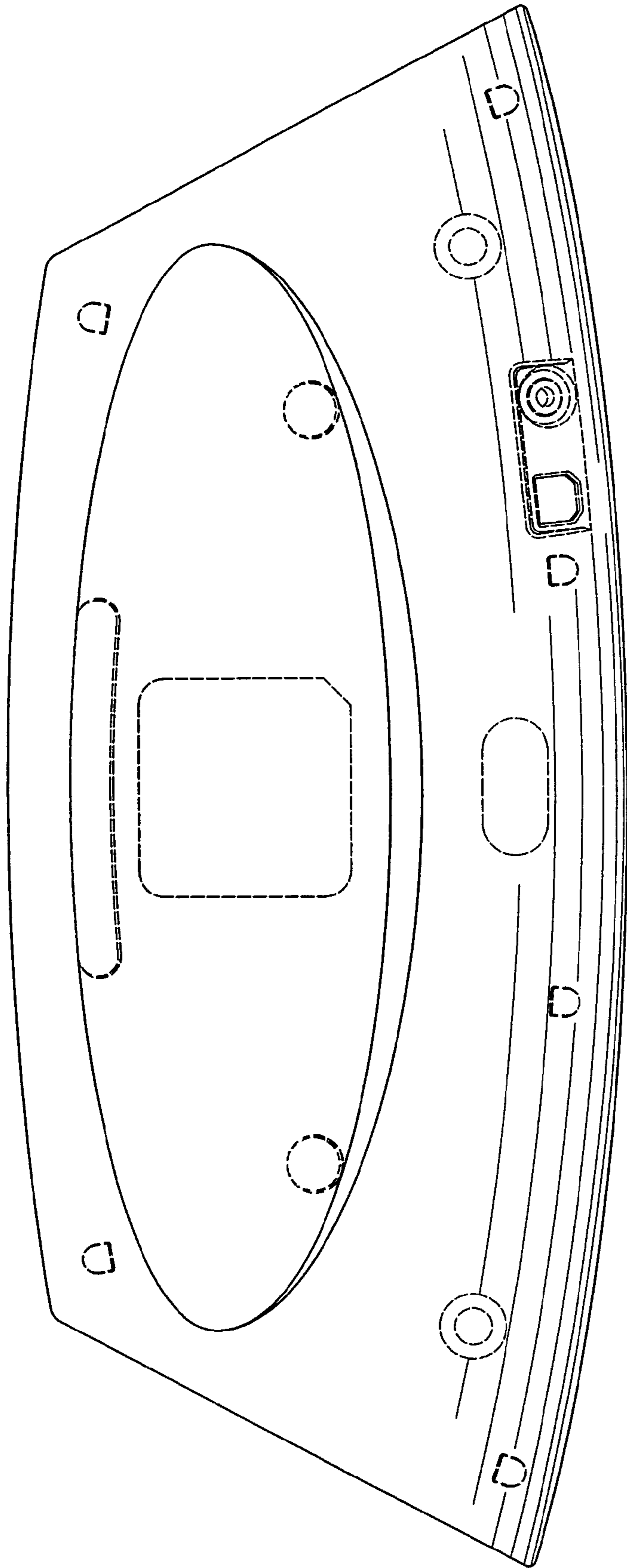


FIG.7



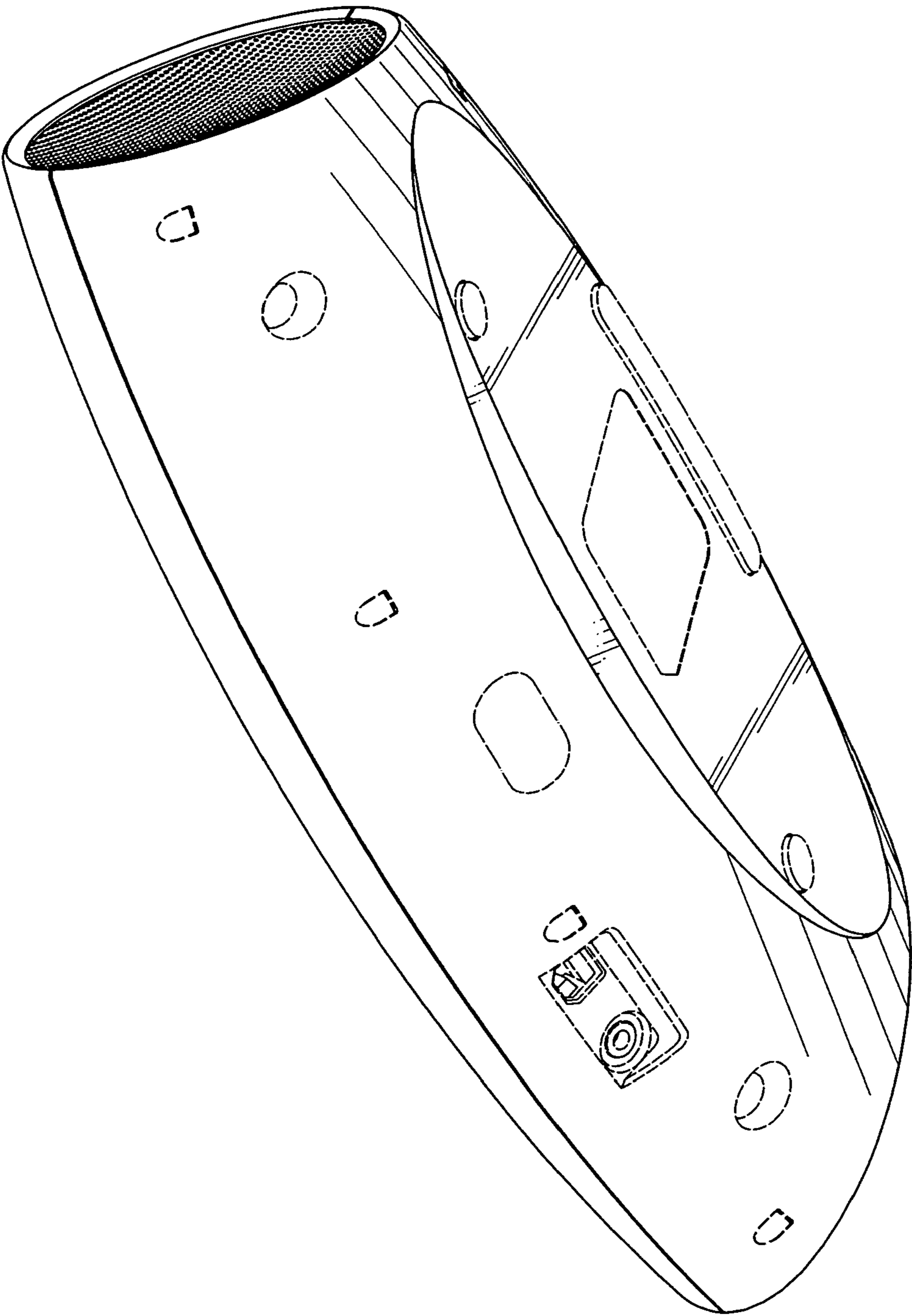


FIG.8