



US00D606042S

(12) **United States Design Patent**  
**Jursch**

(10) **Patent No.:** **US D606,042 S**  
(45) **Date of Patent:** **\*\* Dec. 15, 2009**

(54) **CURVED GRILL SPEAKER**

6,978,030 B2 \* 12/2005 Reich ..... 381/124

(75) Inventor: **Gus Jursch**, Aguora Hills, CA (US)

\* cited by examiner

(73) Assignee: **Stanton Magnetics Inc.**, Hollywood, FL (US)

*Primary Examiner*—Nanda Bondade

(74) *Attorney, Agent, or Firm*—Day Pitney LLP

(\*\*) Term: **14 Years**

(57) **CLAIM**

(21) Appl. No.: **29/320,845**

The ornamental design for a curved grill speaker, as shown and described.

(22) Filed: **Jul. 7, 2008**

**DESCRIPTION**

(51) **LOC (9) Cl.** ..... **14-01**

(52) **U.S. Cl.** ..... **D14/214**

(58) **Field of Classification Search** ..... D14/204,  
D14/207, 210–216, 172; 181/143–144, 147–148,  
181/150–153, 157, 198–199; 381/300–303,  
381/306, 332–333, 336, 345, 361–364, 386–388

FIG. 1 is a perspective view of the curved grill speaker of the present design;

FIG. 2 is a top plan view thereof;

FIG. 3 is a front elevational view thereof;

FIG. 4 is a rear elevational view thereof;

FIG. 5 is a left side view thereof;

FIG. 6 is a right side view thereof; and,

FIG. 7 is a bottom plan view thereof.

See application file for complete search history.

The broken line showing on the drawing disclosure is for illustrative purposes only and forms no part of the claimed design.

(56) **References Cited**

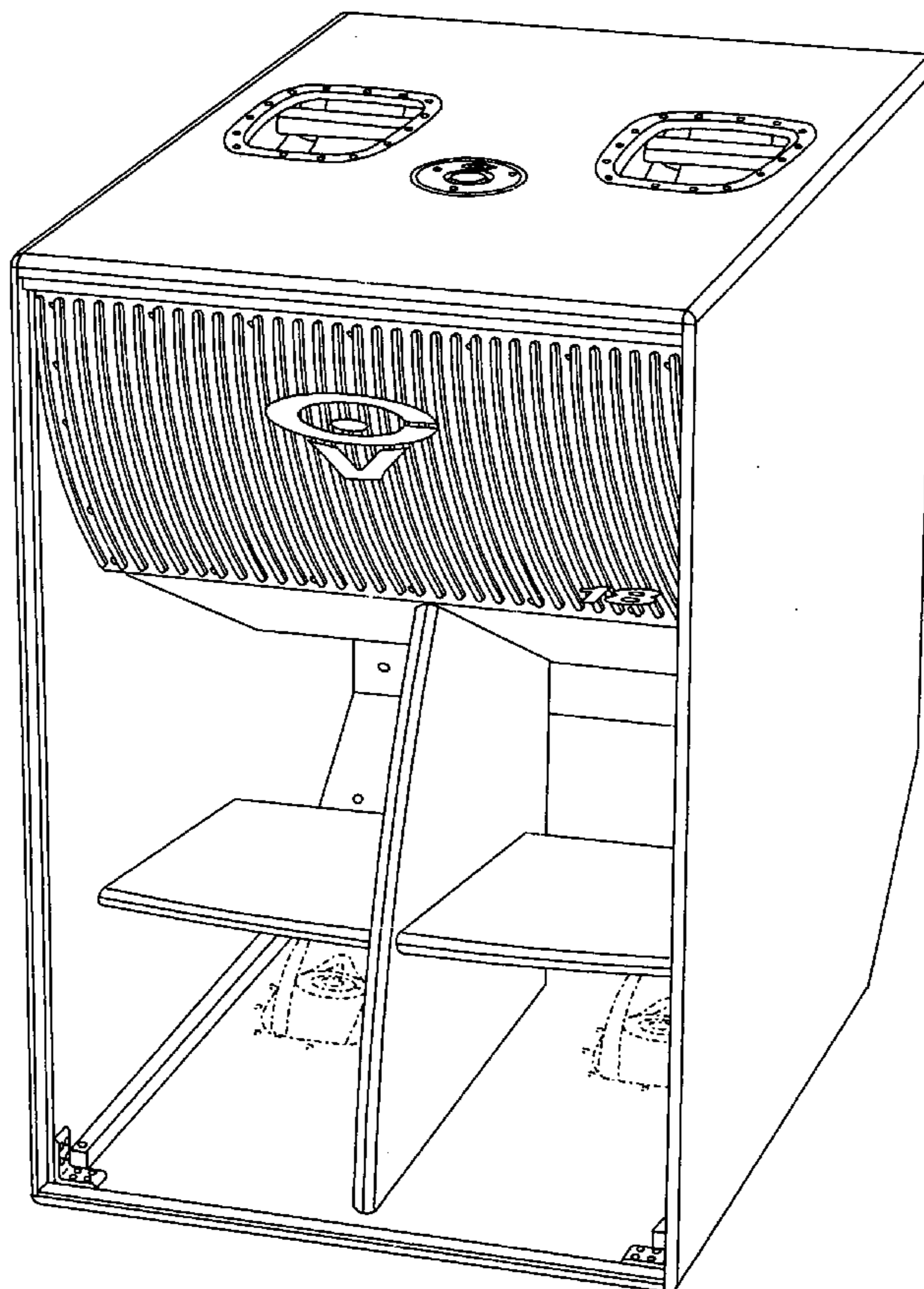
**U.S. PATENT DOCUMENTS**

D278,901 S \* 5/1985 Murphy ..... D14/214

D360,636 S \* 7/1995 Sasago et al. .... D14/214

D439,238 S \* 3/2001 Mackie et al. .... D14/214

**1 Claim, 7 Drawing Sheets**



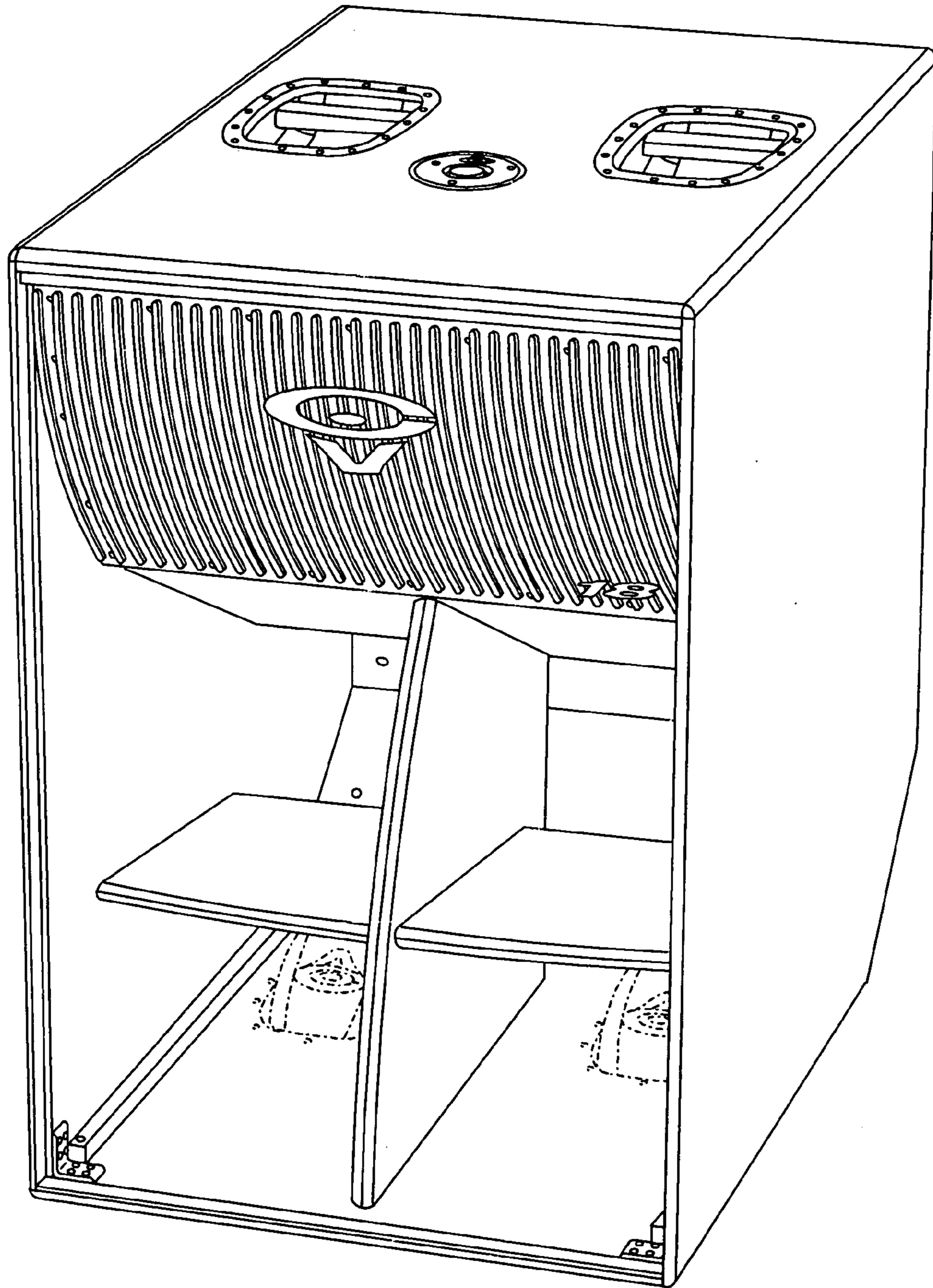


FIG. 1

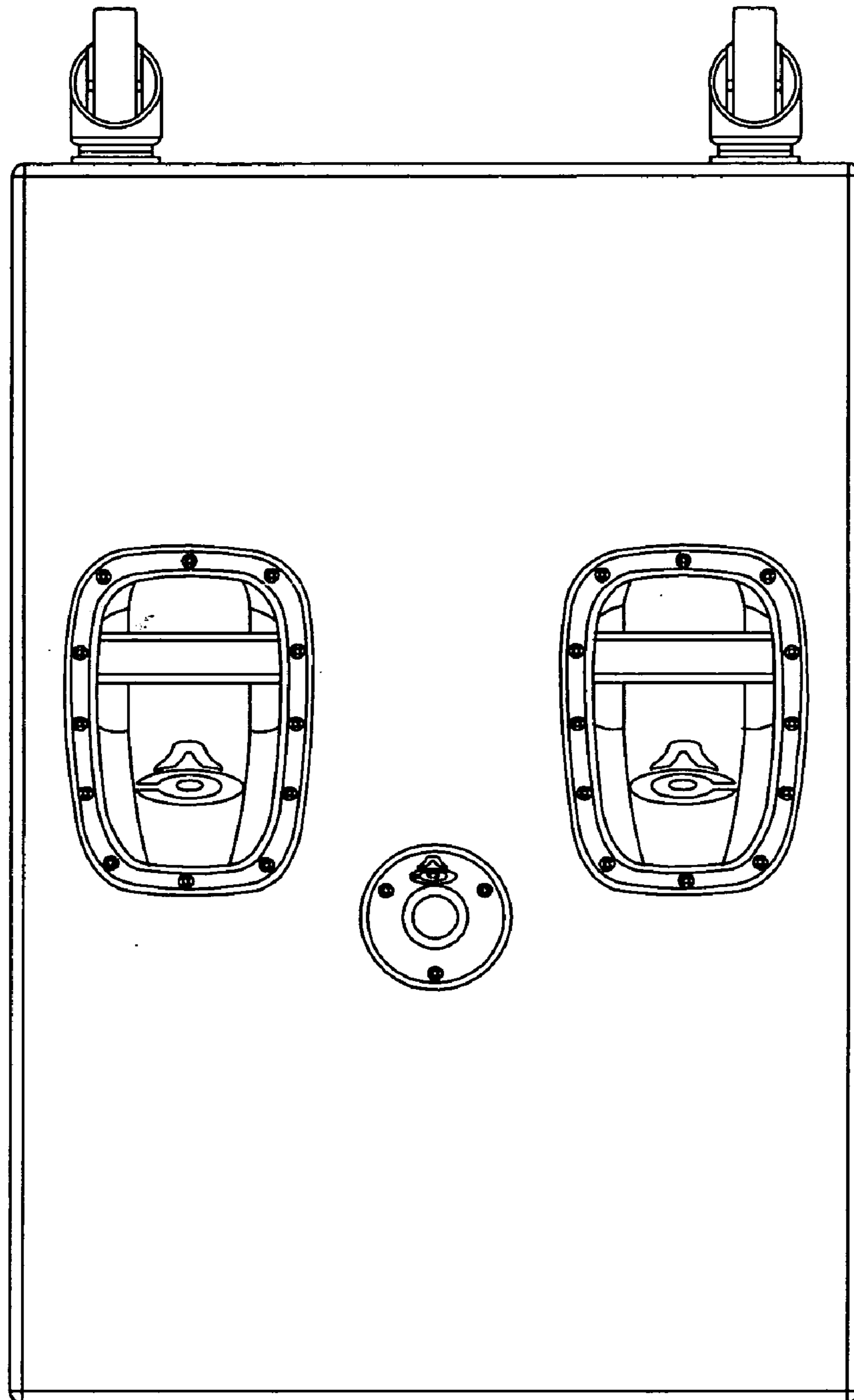


FIG. 2

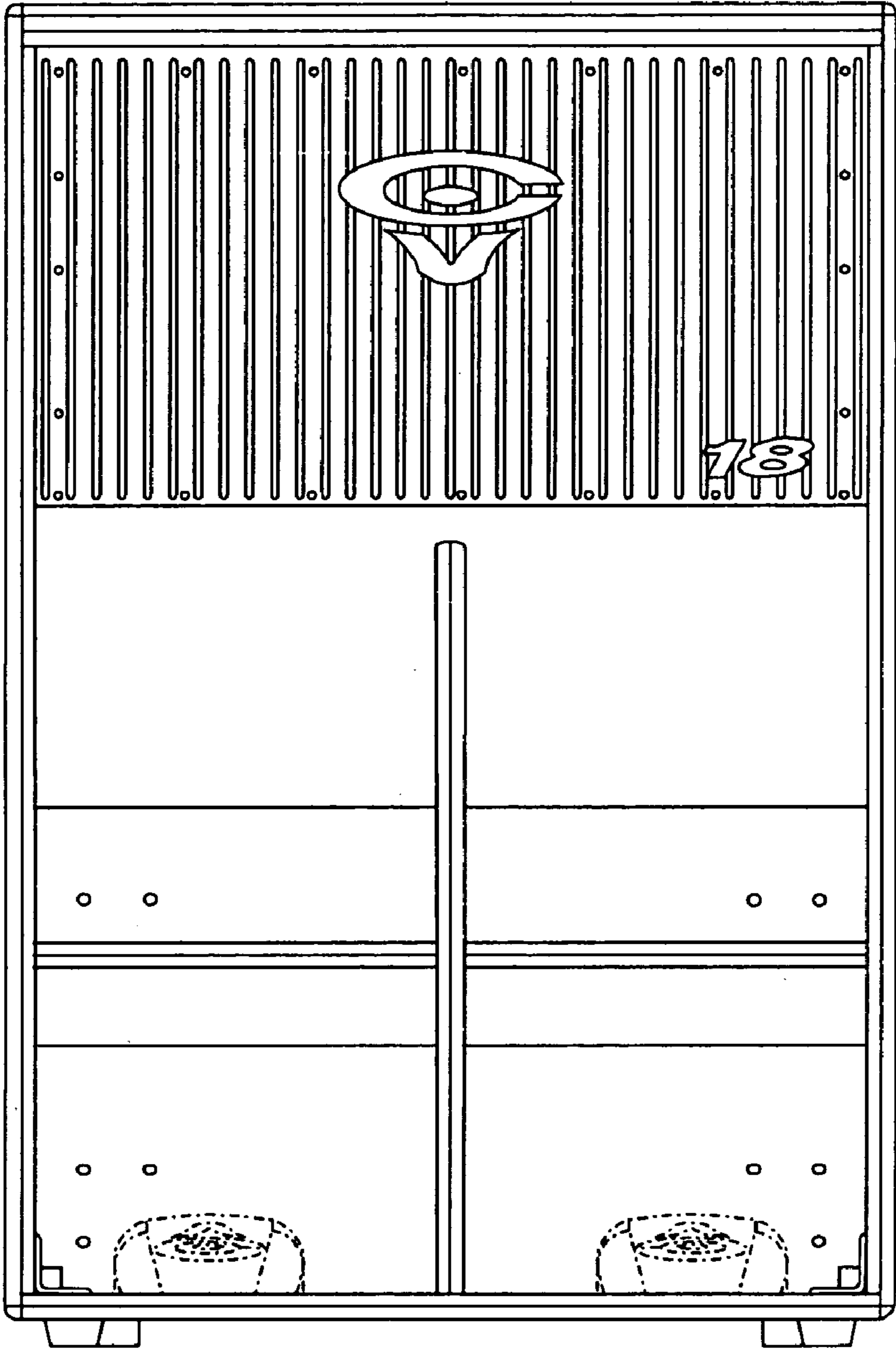


FIG. 3

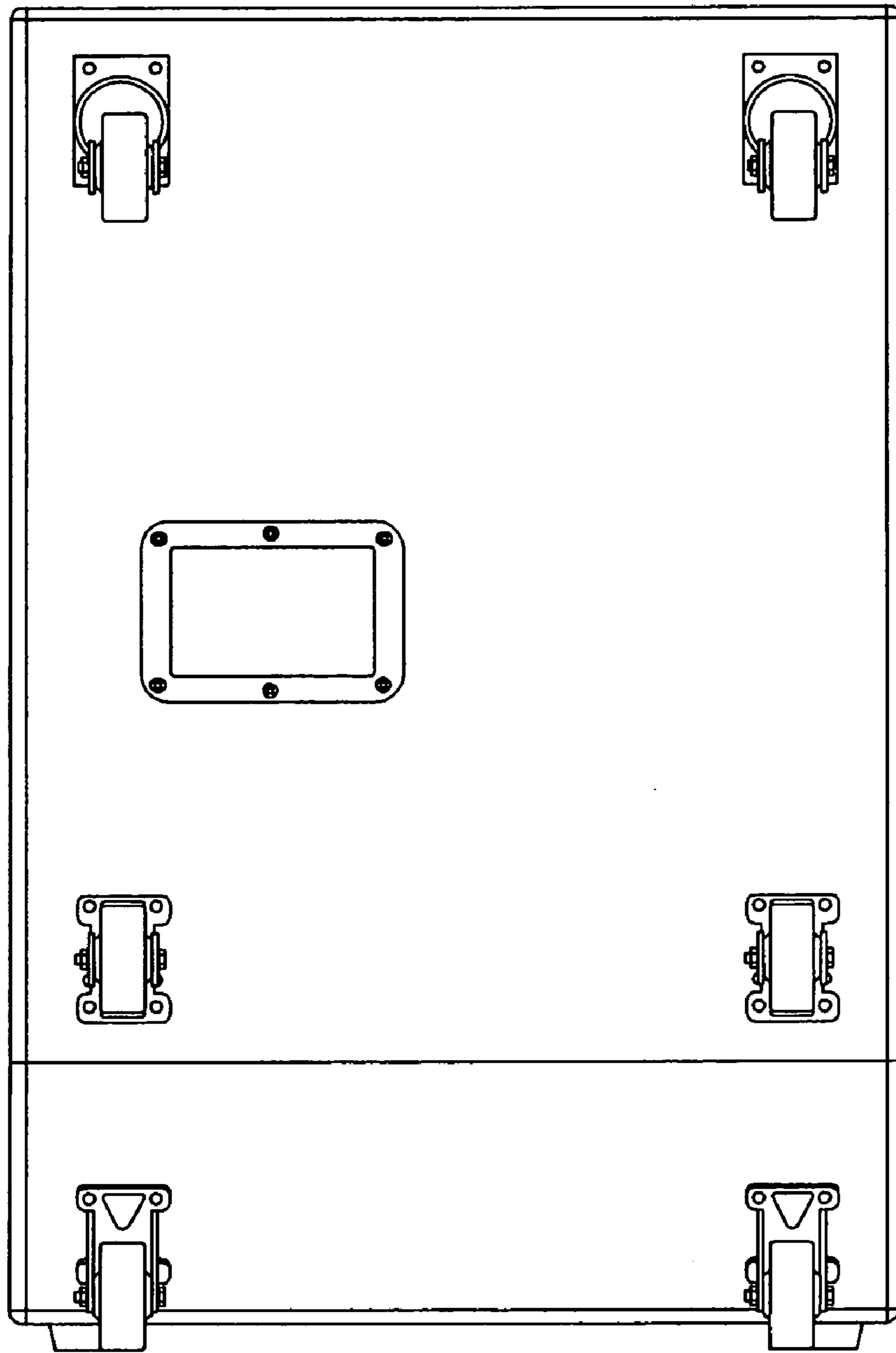


FIG. 4

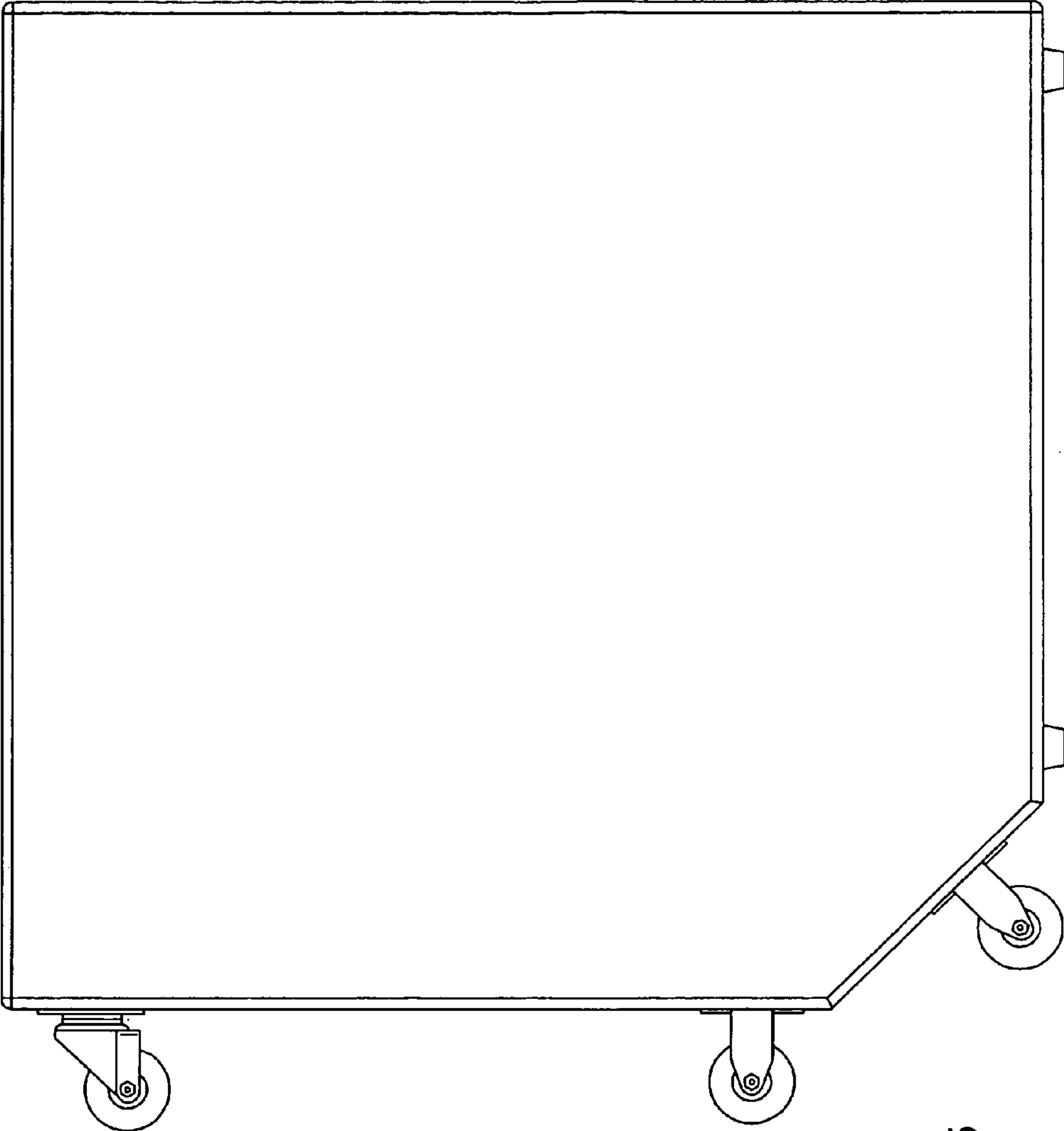
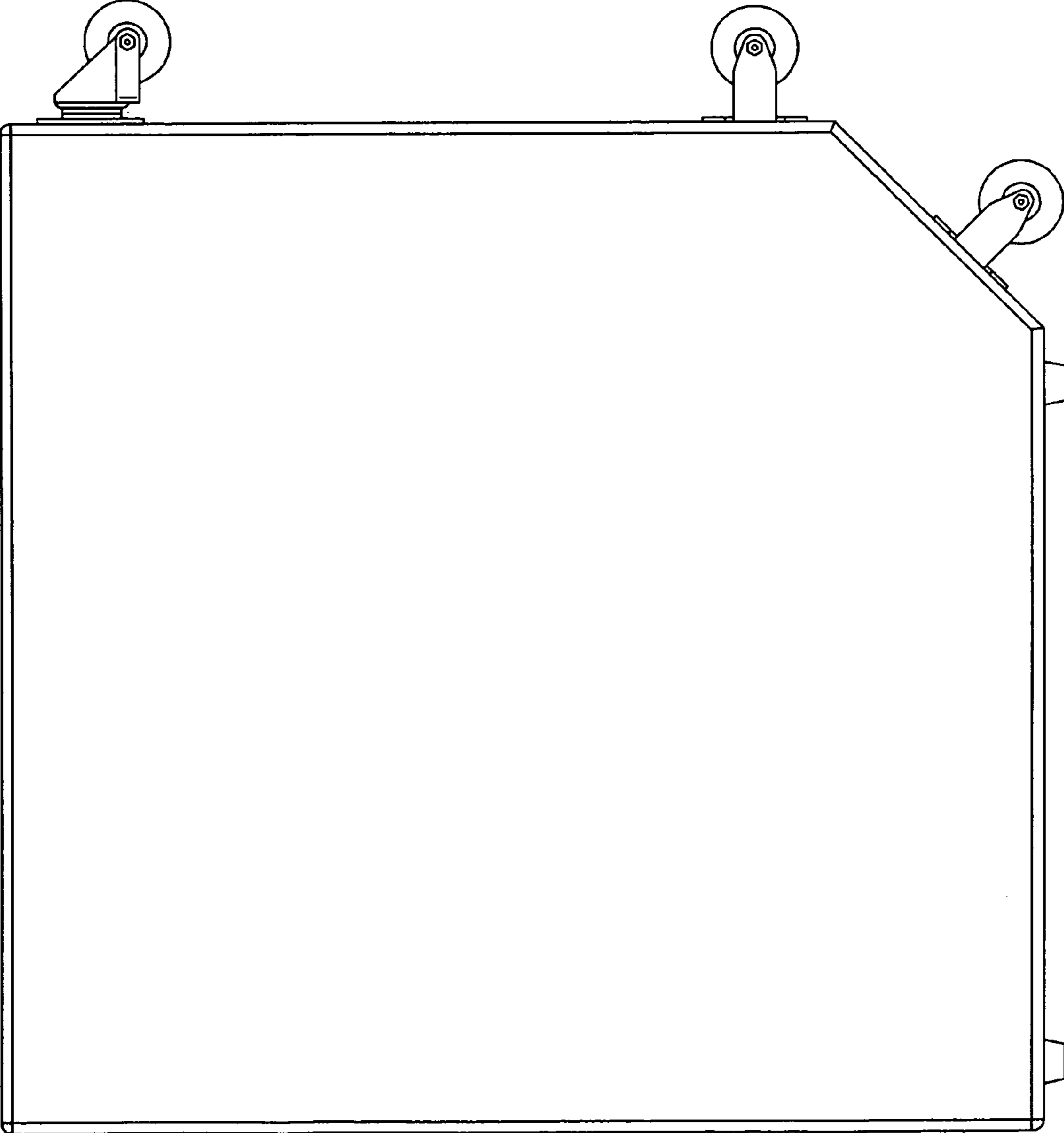


FIG. 5

FIG. 6



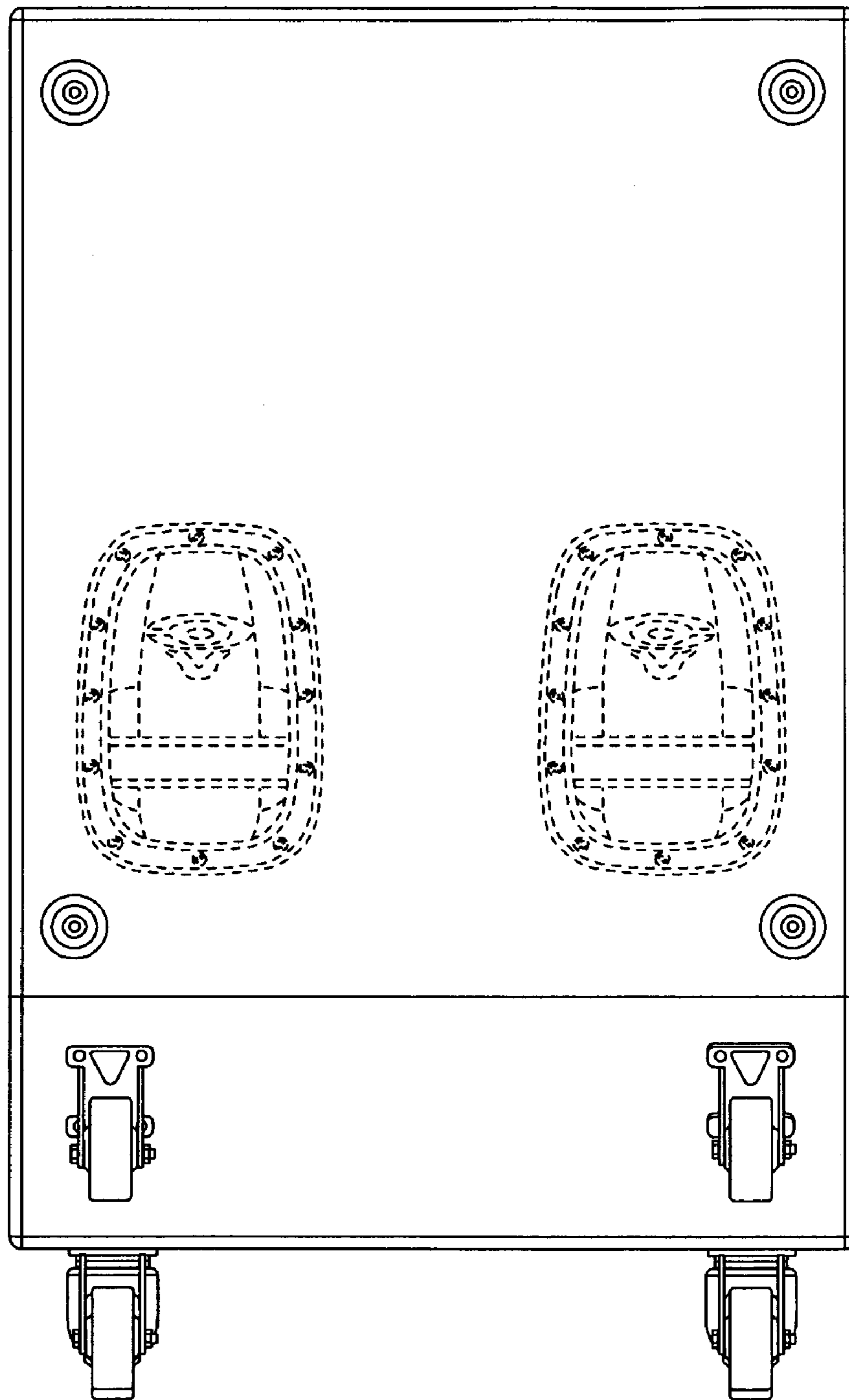


FIG. 7