



US00D606034S

(12) **United States Design Patent**
Suzuki

(10) **Patent No.:** **US D606,034 S**

(45) **Date of Patent:** **** Dec. 15, 2009**

(54) **SET-TOP BOX**

D592,662 S * 5/2009 Lai D14/363
2002/0196724 A1* 12/2002 Henrichs 369/75.1

(75) Inventor: **Takeshi Suzuki**, Tokyo (JP)

FOREIGN PATENT DOCUMENTS

(73) Assignee: **Kabushiki Kaisha Toshiba** (JP)

JP D1163287 1/2003
JP D1229064 1/2005
JP D1248926 8/2005

(**) Term: **14 Years**

* cited by examiner

(21) Appl. No.: **29/337,233**

Primary Examiner—Raphael Barkai

(22) Filed: **May 18, 2009**

Assistant Examiner—Randall H Gholson

(30) **Foreign Application Priority Data**

(74) *Attorney, Agent, or Firm*—Banner & Witcoff, Ltd.

Dec. 25, 2008 (JP) 2008-032816

(57) **CLAIM**

(51) **LOC (9) Cl.** **14-03**

The ornamental design for a set-top box, shown and described.

(52) **U.S. Cl.** **D14/125**

(58) **Field of Classification Search** D14/125–134,
D14/239, 371, 136, 374–377; 312/7.2; 348/836,
348/838, 180, 184, 325, 739; 341/12; 248/917–924,
248/465, 123.11; 345/104, 133, 156, 168,
345/87, 173, 169; 349/1, 2, 11, 62; 720/605,
720/669, 600, 655, 99, 197; 455/344–347

DESCRIPTION

See application file for complete search history.

FIG. 1 is a top, front and right side perspective view of a set-top box showing my new design,

FIG. 2 is a front elevational view thereof,

FIG. 3 is a right side elevational view thereof, a left side elevational view being a mirror image

FIG. 4 is a top plan view thereof,

FIG. 5 is a bottom plan view thereof; and,

FIG. 6 is a rear elevational view thereof.

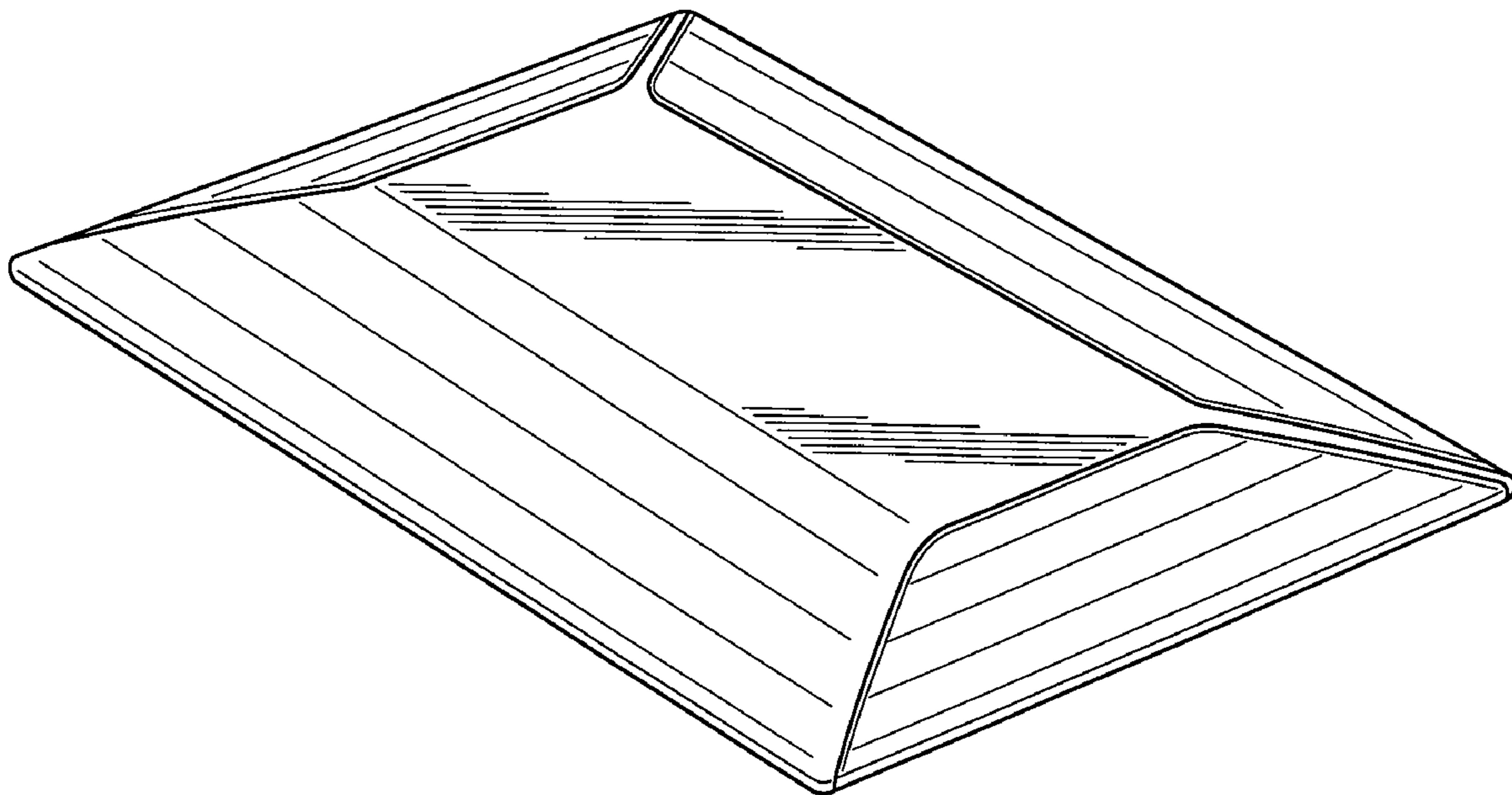
The broken lines shown in FIG. 6 are included for the purpose of illustration and form no part of the claimed design.

(56) **References Cited**

U.S. PATENT DOCUMENTS

D556,199 S * 11/2007 Song D14/357
D573,144 S * 7/2008 Lin D14/358
D574,823 S * 8/2008 Wung D14/357
D583,366 S * 12/2008 Chen D14/240
D583,367 S * 12/2008 Chen D14/240
D592,661 S * 5/2009 Woo et al. D14/358

1 Claim, 3 Drawing Sheets



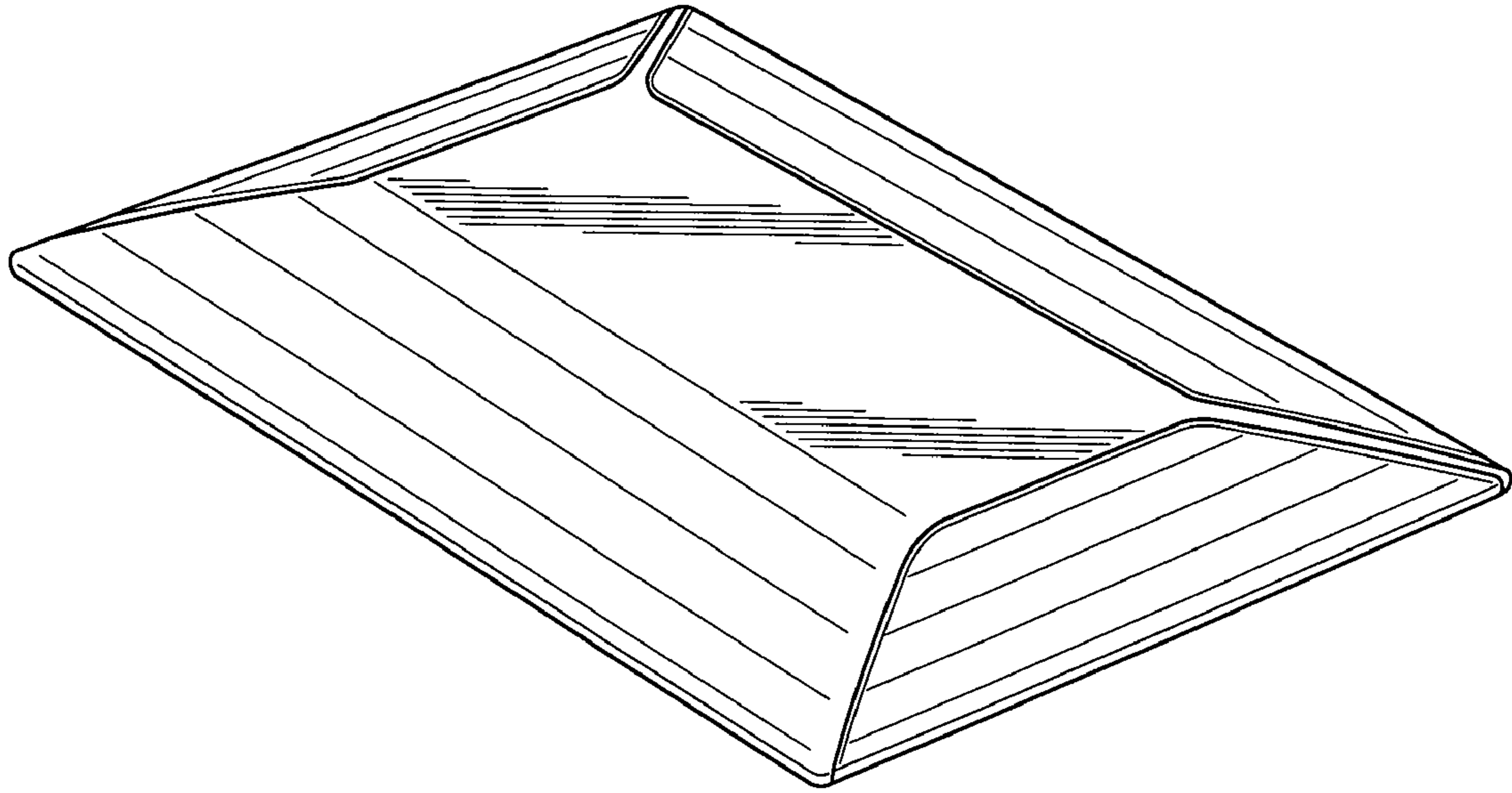


FIG. 1

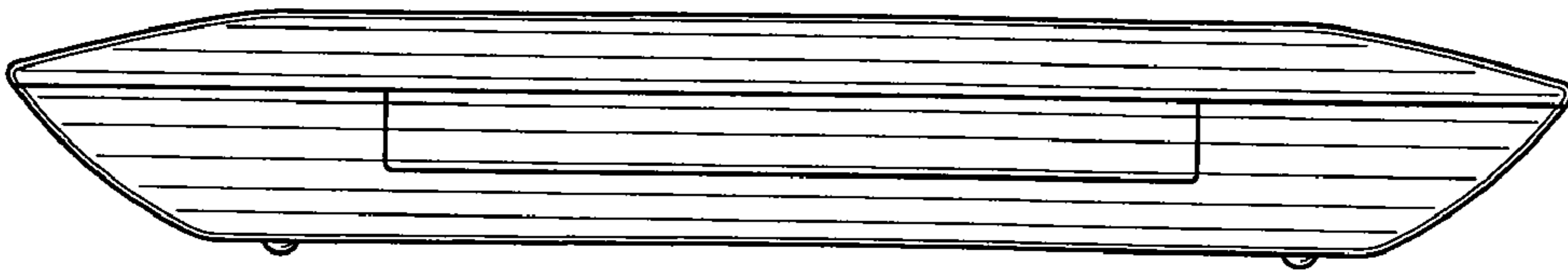


FIG. 2

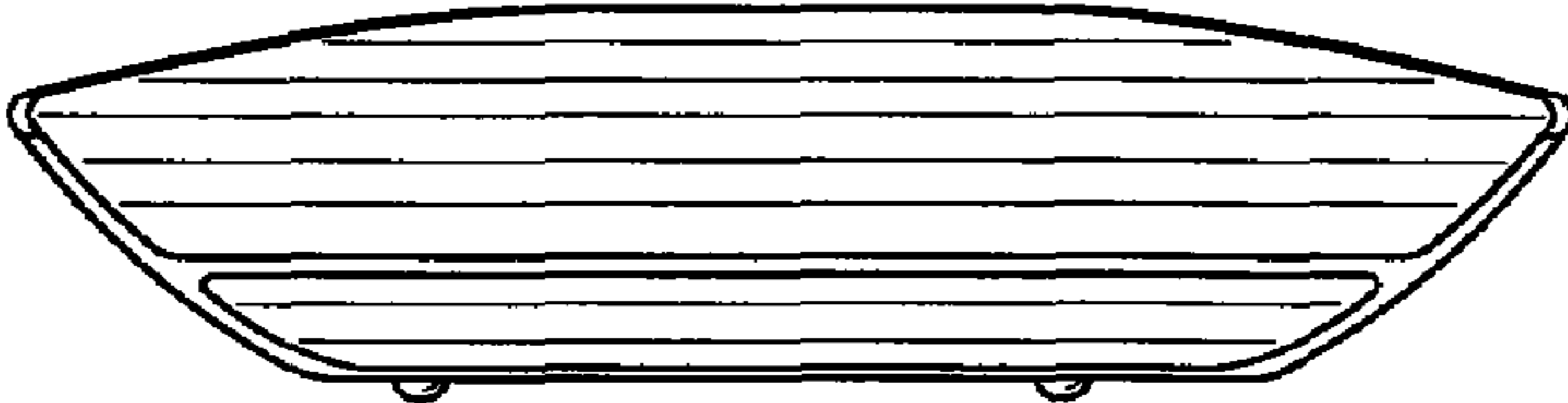


FIG. 3

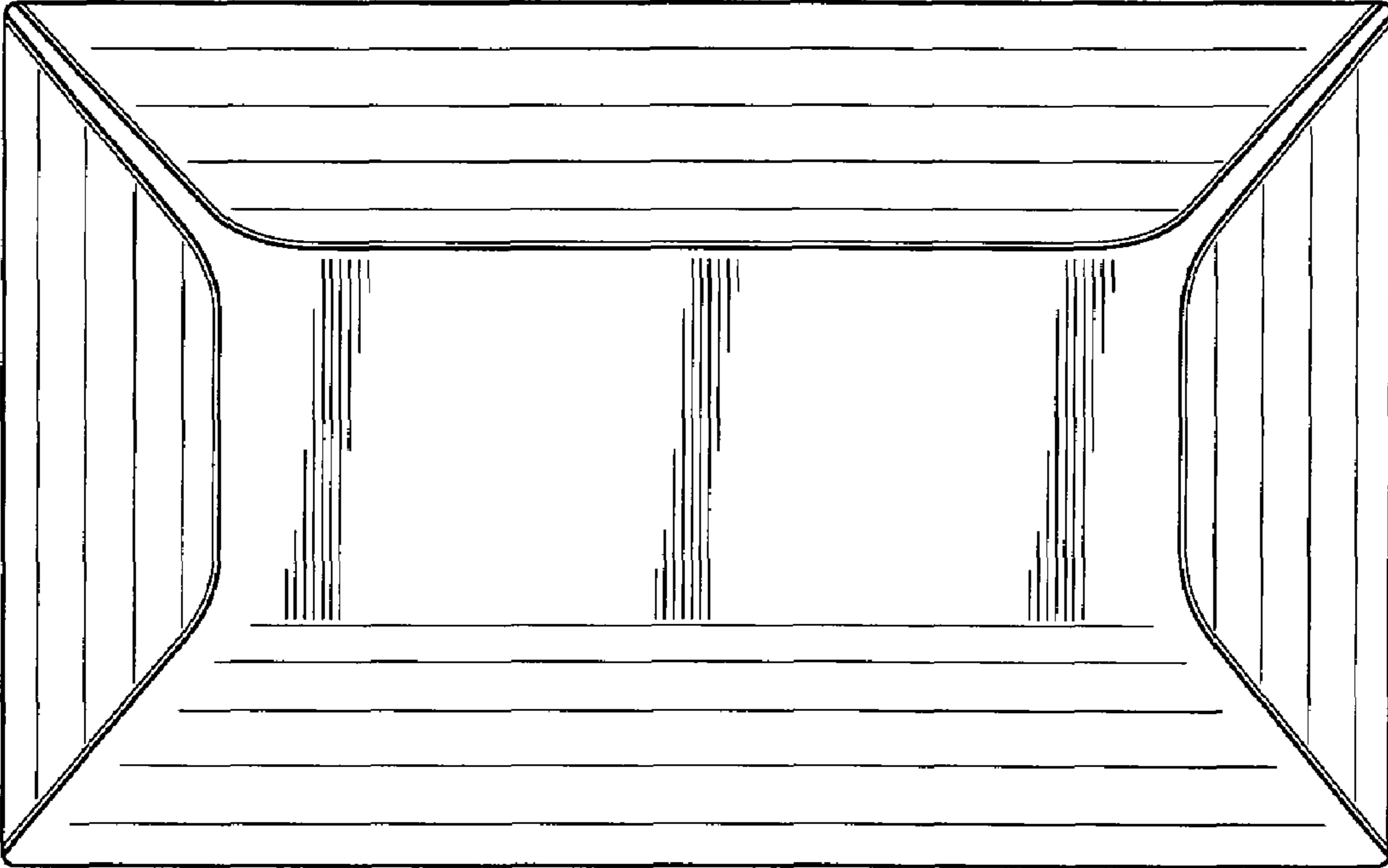


FIG. 4

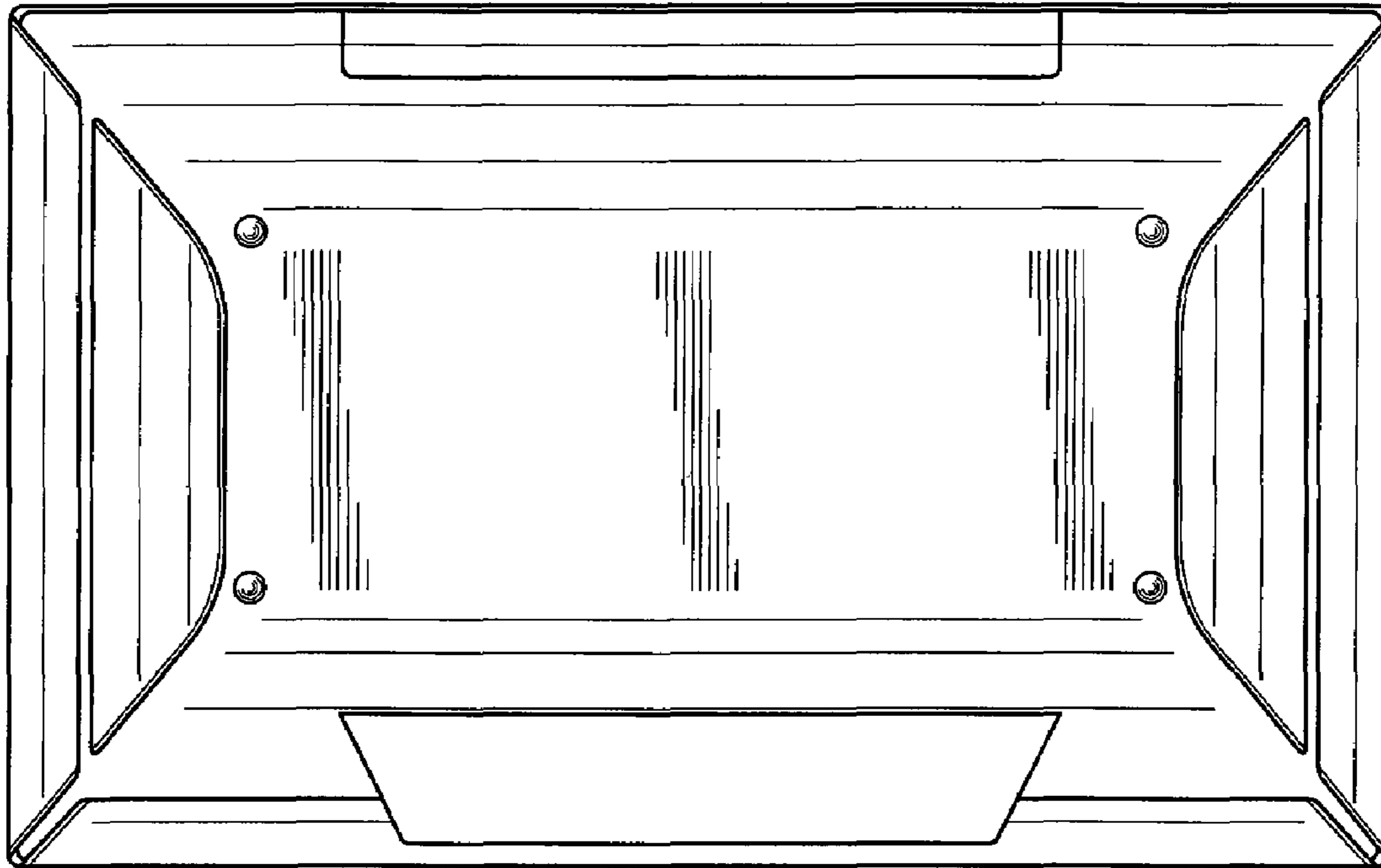


FIG. 5

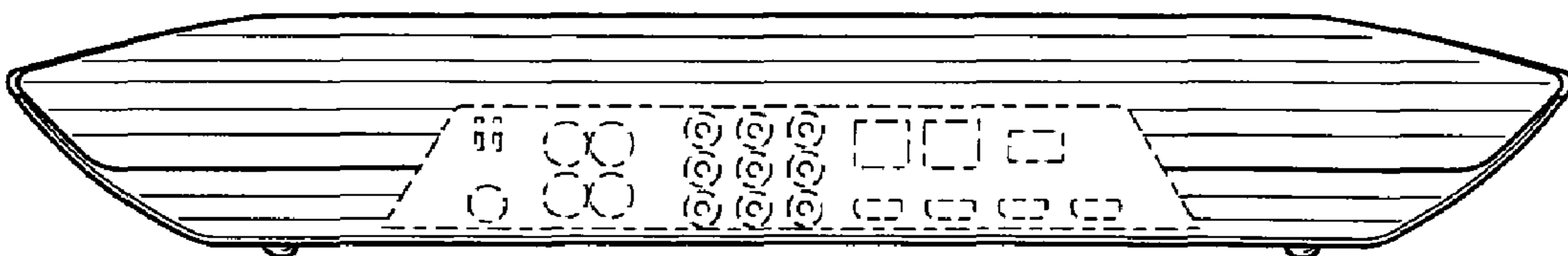


FIG. 6