



US00D606031S

(12) **United States Design Patent**
Park et al.

(10) **Patent No.:** **US D606,031 S**

(45) **Date of Patent:** **** *Dec. 15, 2009**

(54) **LIGHT EMITTING DIODE**

(75) Inventors: **Gwui-Youn Park**, Seoul (KR); **Chi-Ok In**, Chungcheongnam-do (KR)

(73) Assignee: **Alti-Electronics Co., Ltd.** (KR)

(*) Notice: This patent is subject to a terminal disclaimer.

(**) Term: **14 Years**

(21) Appl. No.: **29/324,240**

(22) Filed: **Sep. 9, 2008**

(30) **Foreign Application Priority Data**

Mar. 24, 2008 (KR) 30-2008-0012557

(51) **LOC (9) Cl.** **13-03**

(52) **U.S. Cl.** **D13/180**

(58) **Field of Classification Search** D13/180;
D26/2; 257/79, 80, 81, 88, 89, 95, 98, 99,
257/100; 313/483, 498, 500; 362/555, 800
See application file for complete search history.

(56) **References Cited**

U.S. PATENT DOCUMENTS

D522,468 S * 6/2006 Song D13/180
7,098,485 B2* 8/2006 Isokawa 257/98

D573,114 S * 7/2008 Min et al. D13/180
D576,966 S * 9/2008 Ng et al. D13/180
7,435,143 B2* 10/2008 Anderlini 439/699.2
D585,848 S * 2/2009 Kim et al. D13/180
D586,302 S * 2/2009 Kim et al. D13/180
2005/0127816 A1* 6/2005 Sumitani 313/498
2008/0111148 A1* 5/2008 Zimmerman 257/98

* cited by examiner

Primary Examiner—Selina Sikder

(74) *Attorney, Agent, or Firm*—The Farrell Law Firm, LLP

(57) **CLAIM**

The ornamental design for a light emitting diode, as shown and described.

DESCRIPTION

FIG. 1 is a perspective view of a light emitting diode showing our new design;

FIG. 2 is a front elevational view thereof;

FIG. 3 is a rear elevational view thereof;

FIG. 4 is a left side elevational view thereof;

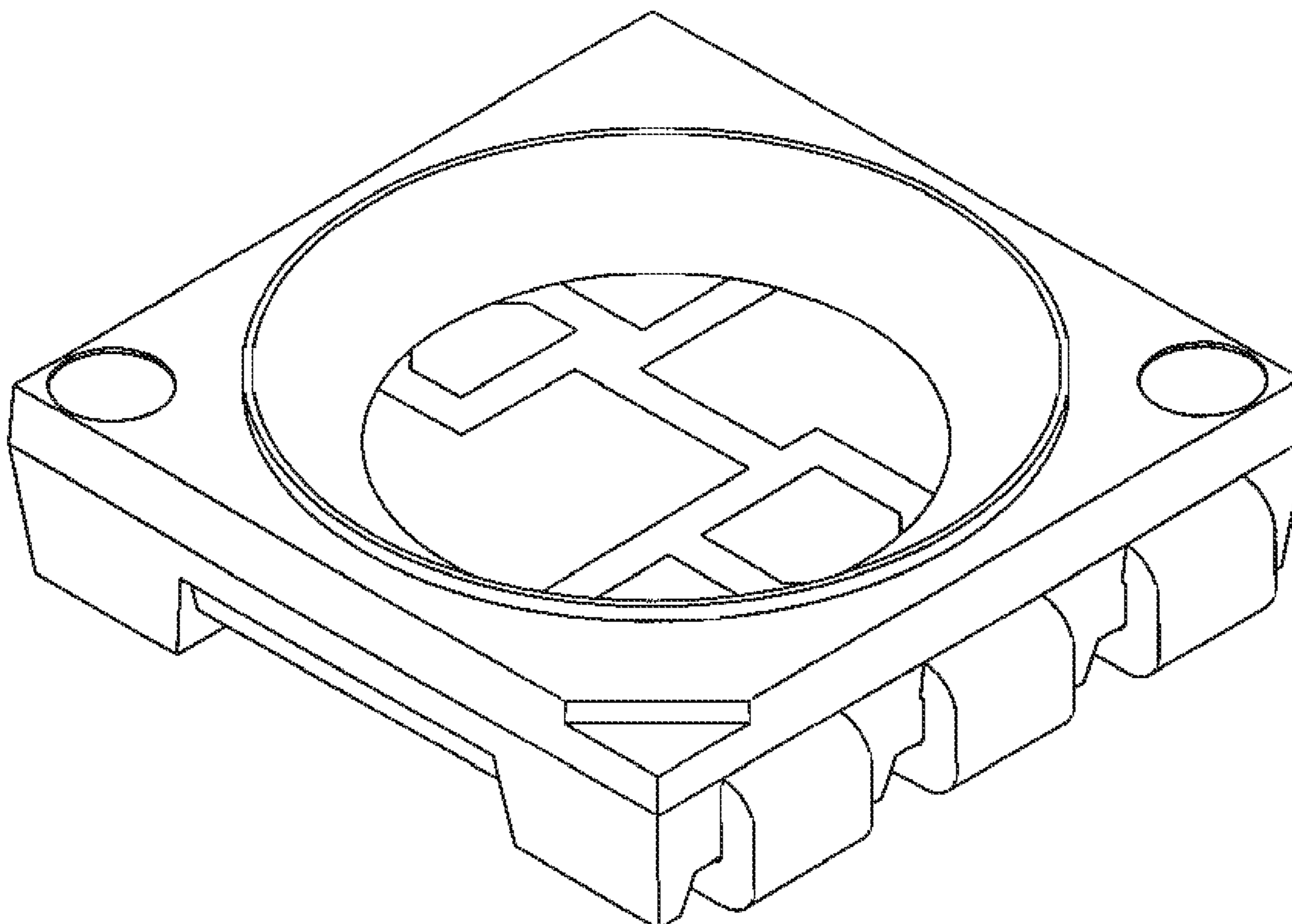
FIG. 5 is a right side elevational view thereof;

FIG. 6 is a top plan view thereof;

FIG. 7 is a bottom plan view thereof; and,

FIG. 8 is a rear bottom perspective view thereof.

1 Claim, 8 Drawing Sheets



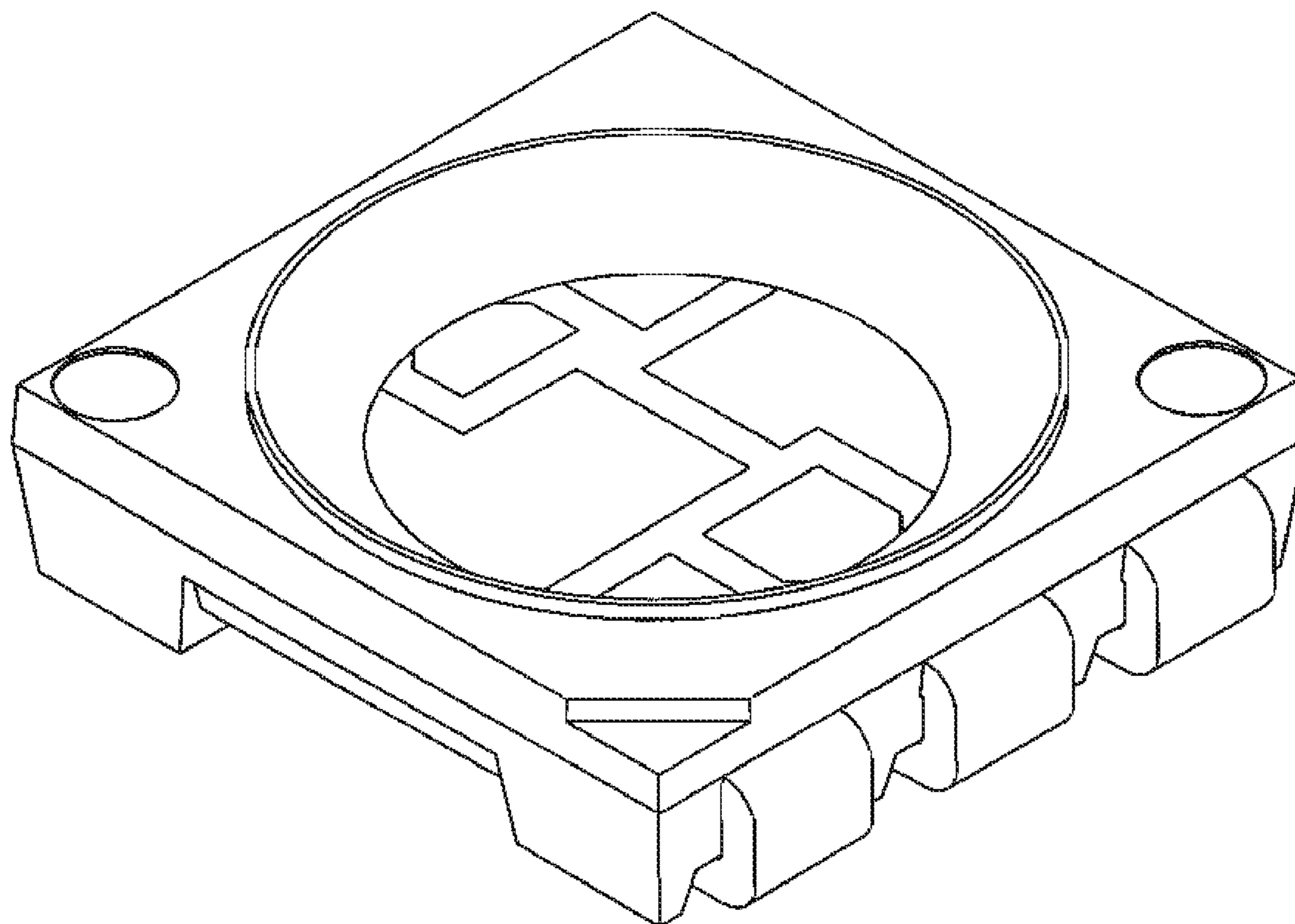


FIG. 1

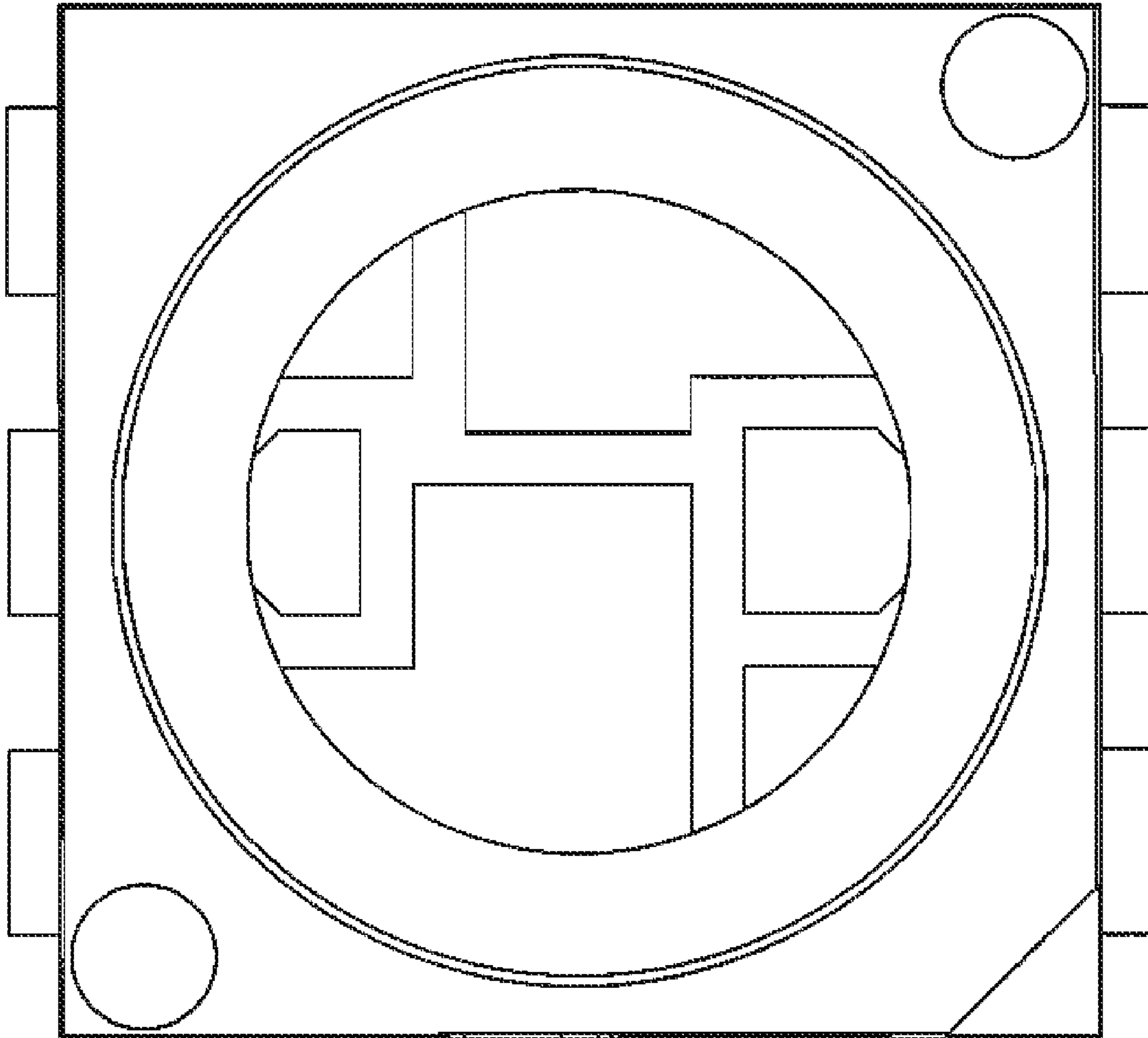


FIG. 2

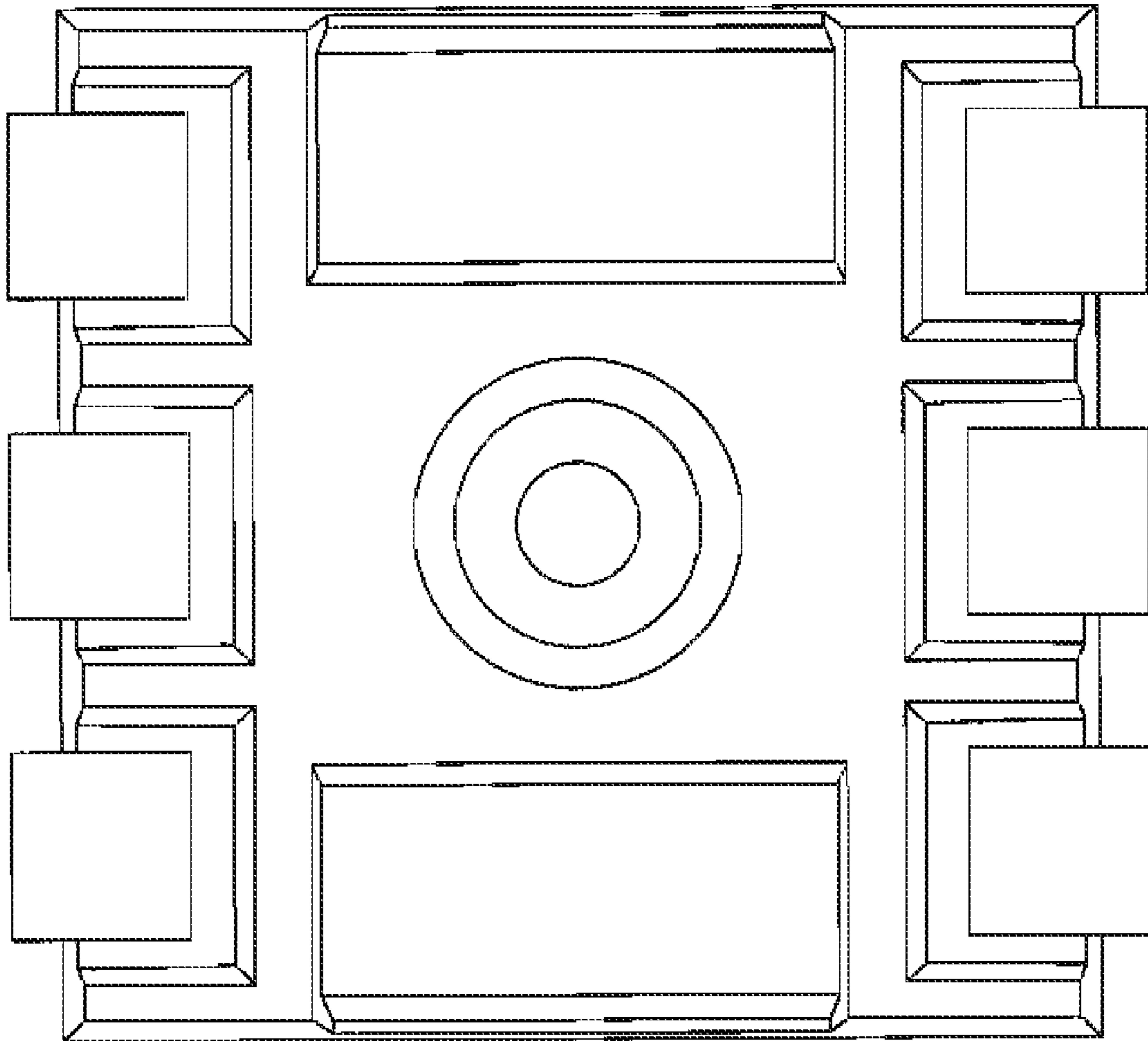


FIG. 3

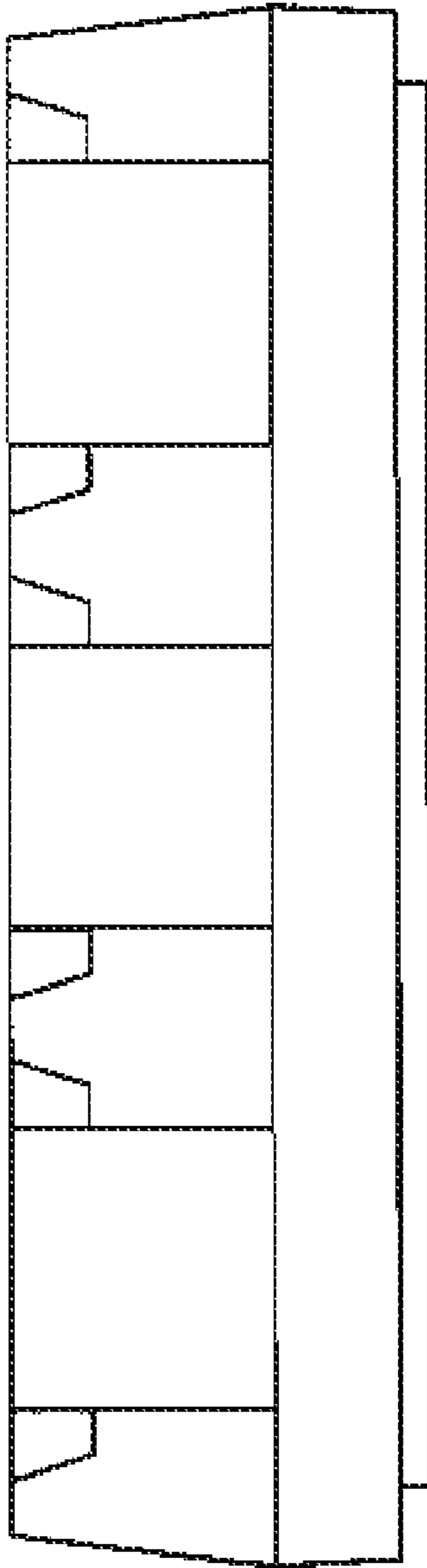


FIG. 4

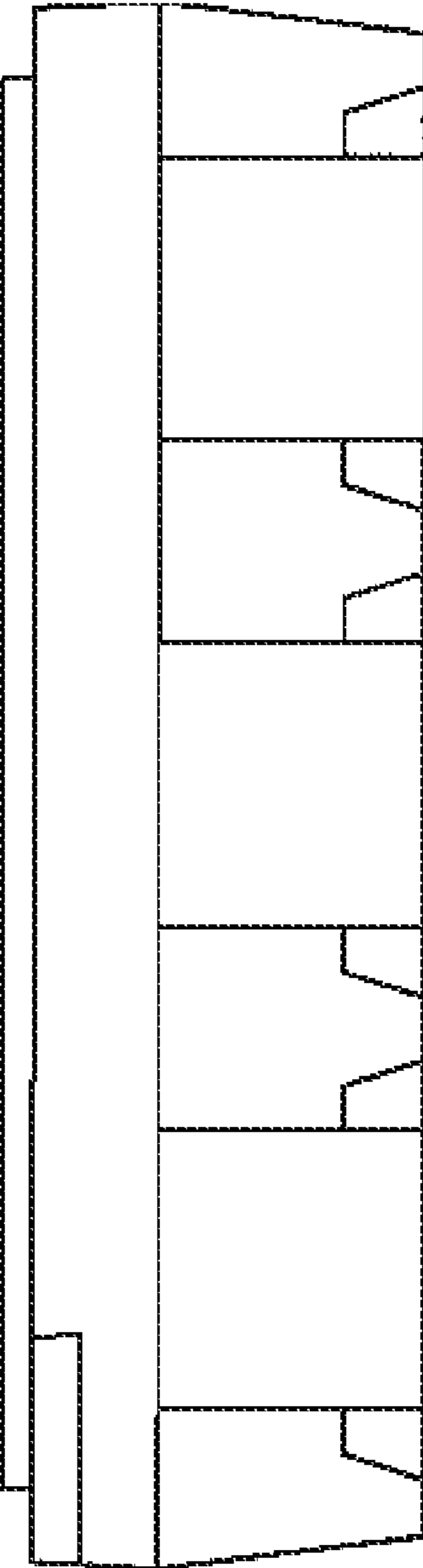


FIG. 5

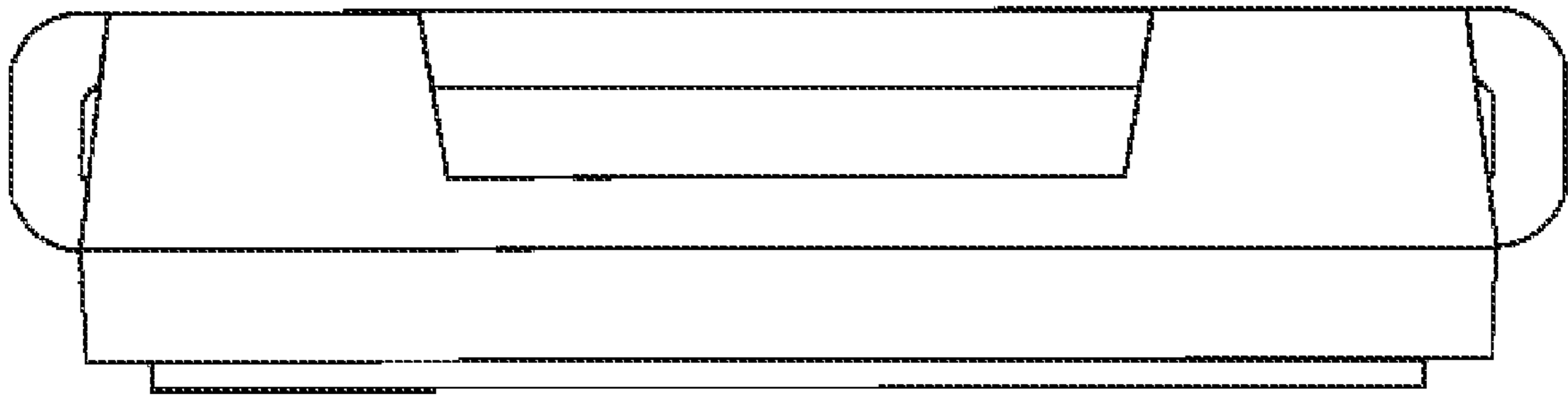


FIG. 6

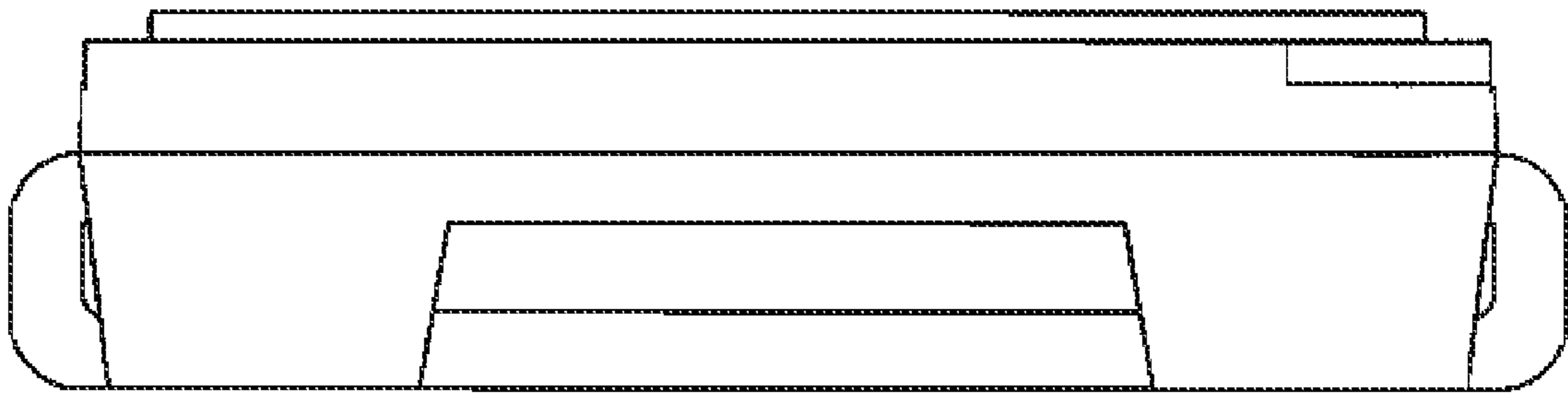


FIG. 7

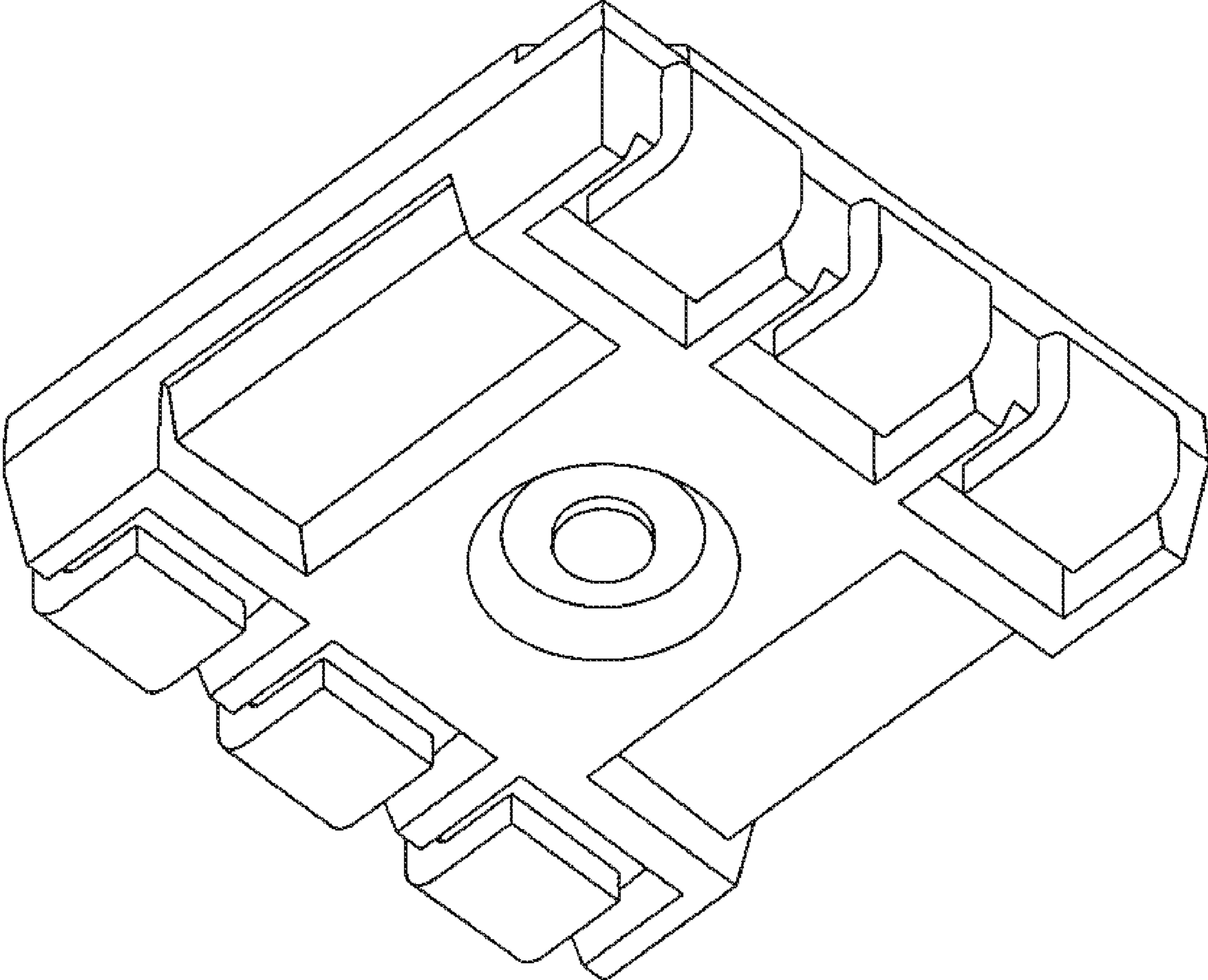


FIG. 8