



US00D606026S

(12) **United States Design Patent**
Azzola et al.

(10) **Patent No.:** **US D606,026 S**
(45) **Date of Patent:** **** Dec. 15, 2009**

(54) **ELECTRICAL CIRCUIT BREAKER**

(75) Inventors: **Lucio Azzola**, Bergamo (IT); **Giovanni Frassinetti**, Bergamo (IT)

(73) Assignee: **ABB S.p.A.**, Milan (IT)

(**) Term: **14 Years**

(21) Appl. No.: **29/331,232**

(22) Filed: **Jan. 22, 2009**

Related U.S. Application Data

(60) Continuation of application No. 29/279,310, filed on Apr. 26, 2007, now Pat. No. Des. 585,839, which is a continuation of application No. 29/250,292, filed on Nov. 9, 2006, now Pat. No. Des. 551,629, and a division of application No. 29/188,211, filed on Aug. 15, 2003, now Pat. No. Des. 535,626.

Foreign Application Priority Data

Feb. 20, 2003 (IT) BG2003O0002

(51) **LOC (9) Cl.** **13-03**

(52) **U.S. Cl.** **D13/160**

(58) **Field of Classification Search** D13/160;
200/43.14, 50.01, 50.21–50.23, 51 R, 293,
200/400, 401; 361/42, 44, 45, 50, 71, 115,
361/608, 634

See application file for complete search history.

(56) **References Cited**

U.S. PATENT DOCUMENTS

D319,627 S 9/1991 Smith et al.
5,296,664 A 3/1994 Crookston et al.
D359,948 S 7/1995 Merlin et al.
5,587,570 A 12/1996 Kelaita, Jr. et al.
5,610,375 A 3/1997 Sinthomez et al.
6,008,459 A 12/1999 Faber et al.

6,078,017 A 6/2000 Blessitt et al.
D442,146 S 5/2001 Greenberg et al.
6,361,848 B1 3/2002 Katsube et al.
6,512,433 B1 1/2003 Bouchard et al.
D498,464 S 11/2004 Kim et al.
D499,700 S 12/2004 Raabe et al.
D499,701 S 12/2004 Kim et al.
D506,185 S 6/2005 Kim et al.
D535,626 S 1/2007 Azzola et al.
D547,729 S 7/2007 Azzola et al.
D547,730 S 7/2007 Azzola et al.
D551,629 S 9/2007 Azzola et al.
D585,839 S * 2/2009 Azzola et al. D13/160
D587,658 S * 3/2009 Azzola et al. D13/160
D593,506 S * 6/2009 Azzola et al. D13/160
2001/0022713 A1 9/2001 Gimenez et al.
2001/0025773 A1 10/2001 Rane et al.
2004/0045796 A1 3/2004 Azzola et al.
2005/0109597 A1 5/2005 Etscheidt et al.

FOREIGN PATENT DOCUMENTS

WO DM/055 273 4/2001

* cited by examiner

Primary Examiner—Selina Sikder

(74) *Attorney, Agent, or Firm*—Connolly Bove Lodge & Hutz LLP

(57) **CLAIM**

We claim the ornamental design for an electrical circuit breaker, as shown and described.

DESCRIPTION

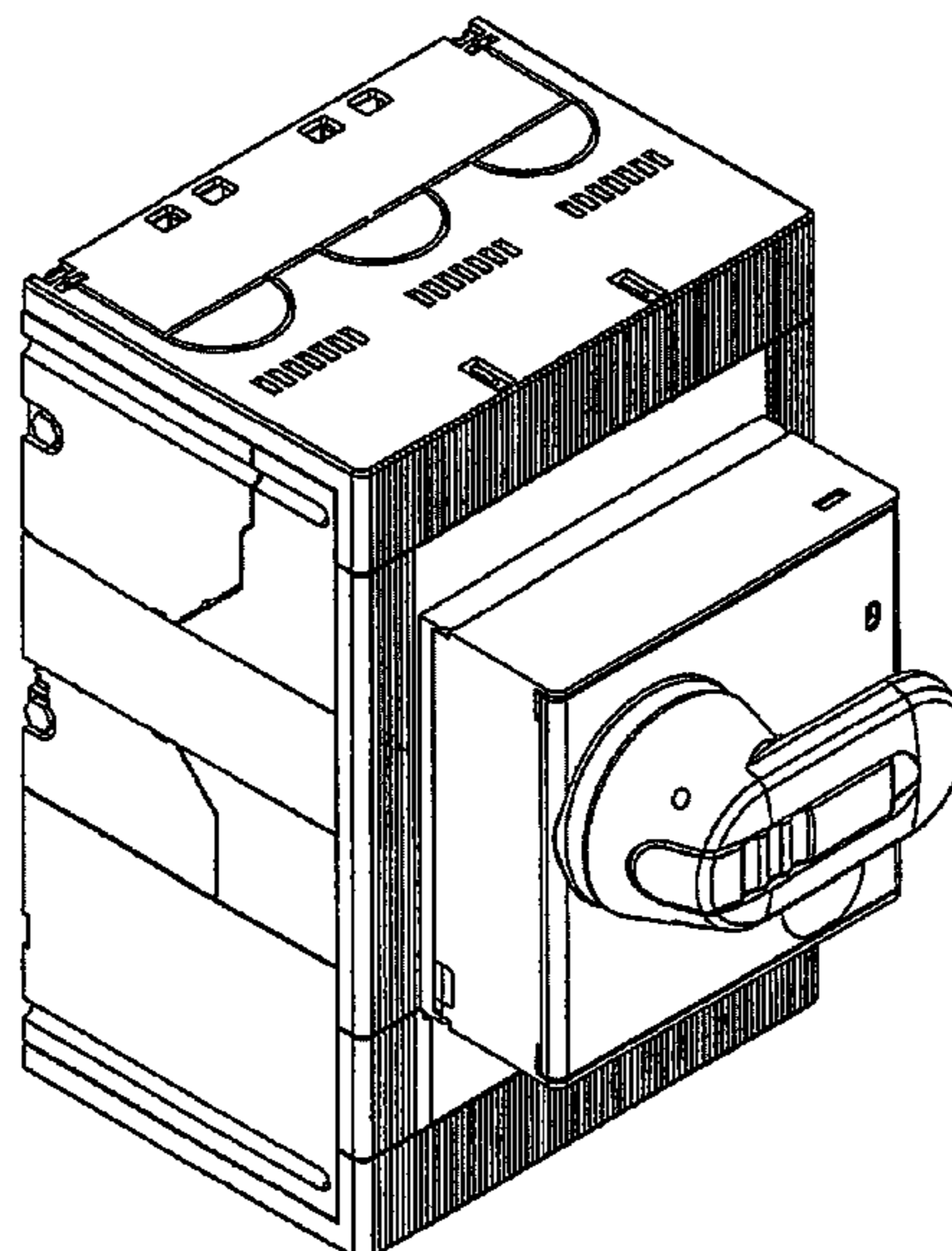
FIG. 1 is a perspective view of the electrical circuit breaker showing our new design;

FIG. 2 is a front elevational view thereof;

FIG. 3 is a side elevational view thereof; and,

FIG. 4 is a top view thereof.

1 Claim, 2 Drawing Sheets



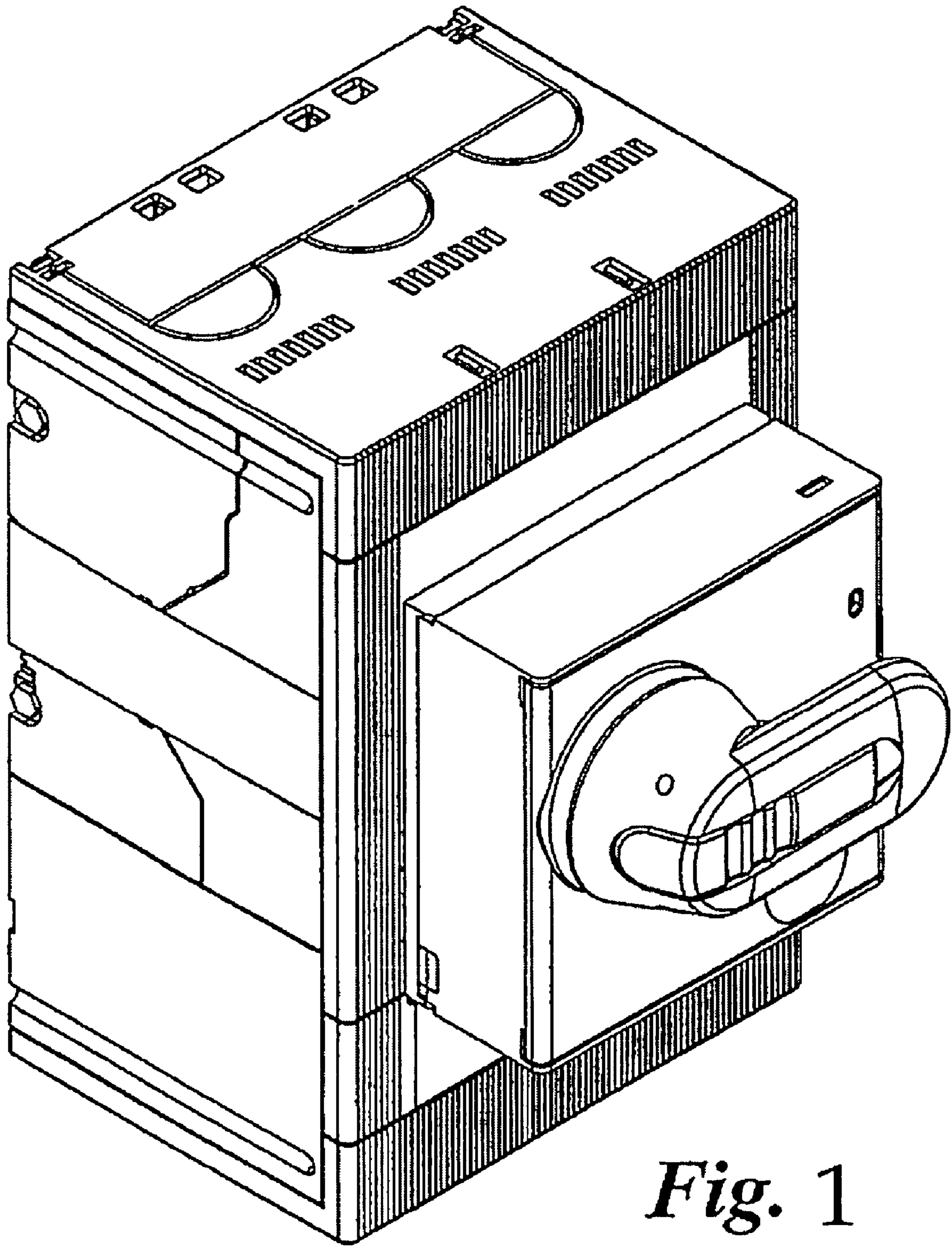


Fig. 1

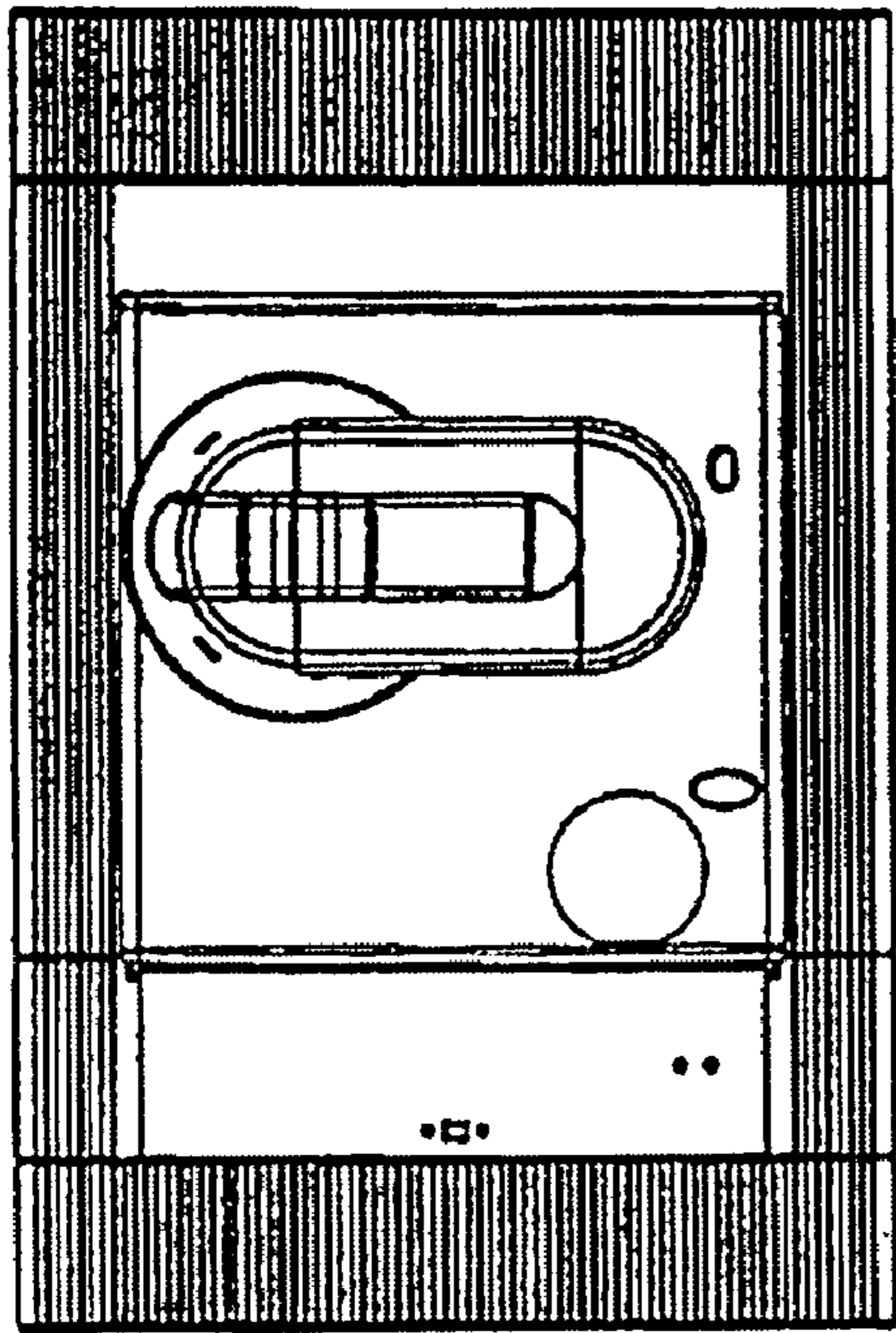


Fig. 2

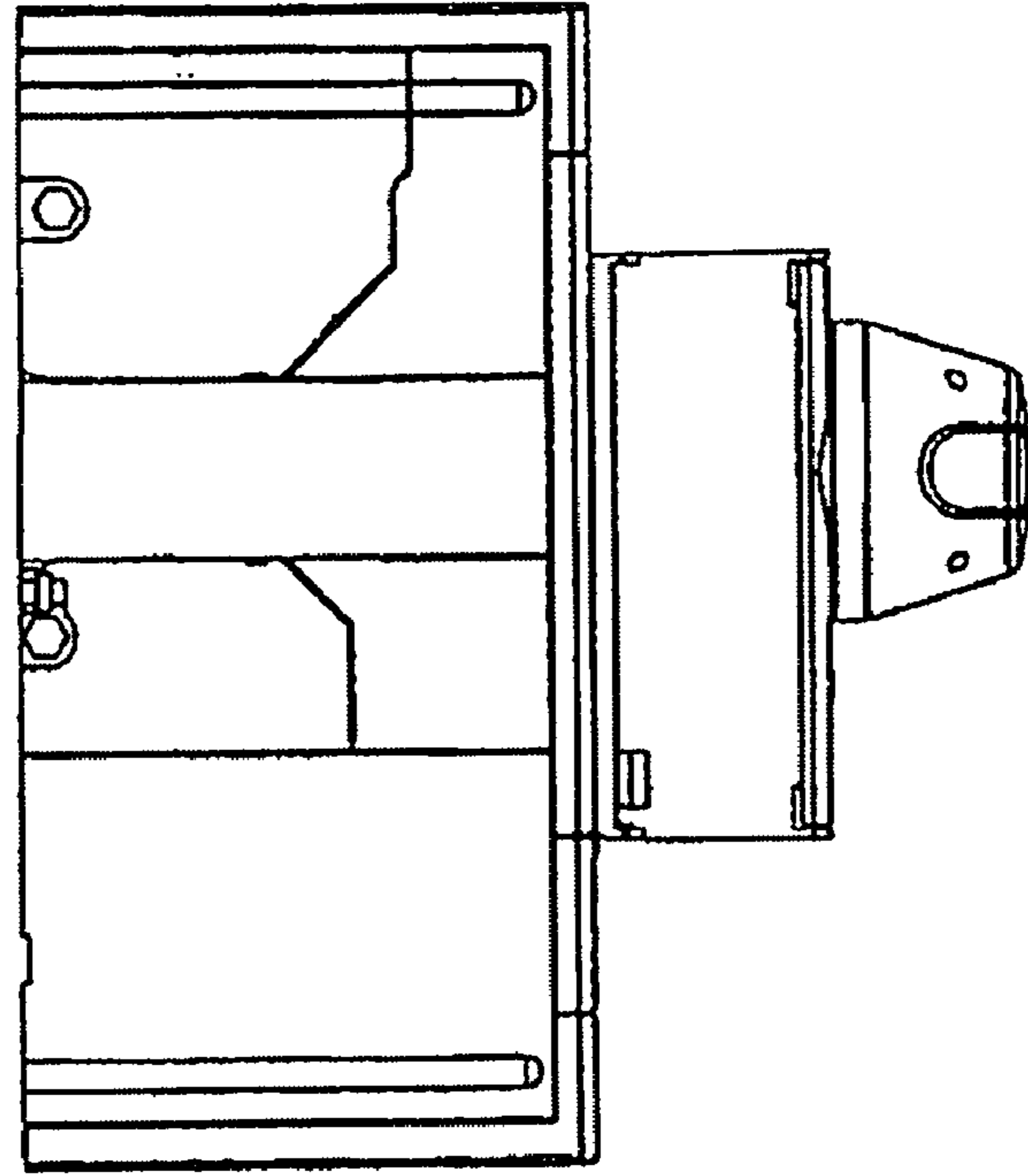


Fig. 3

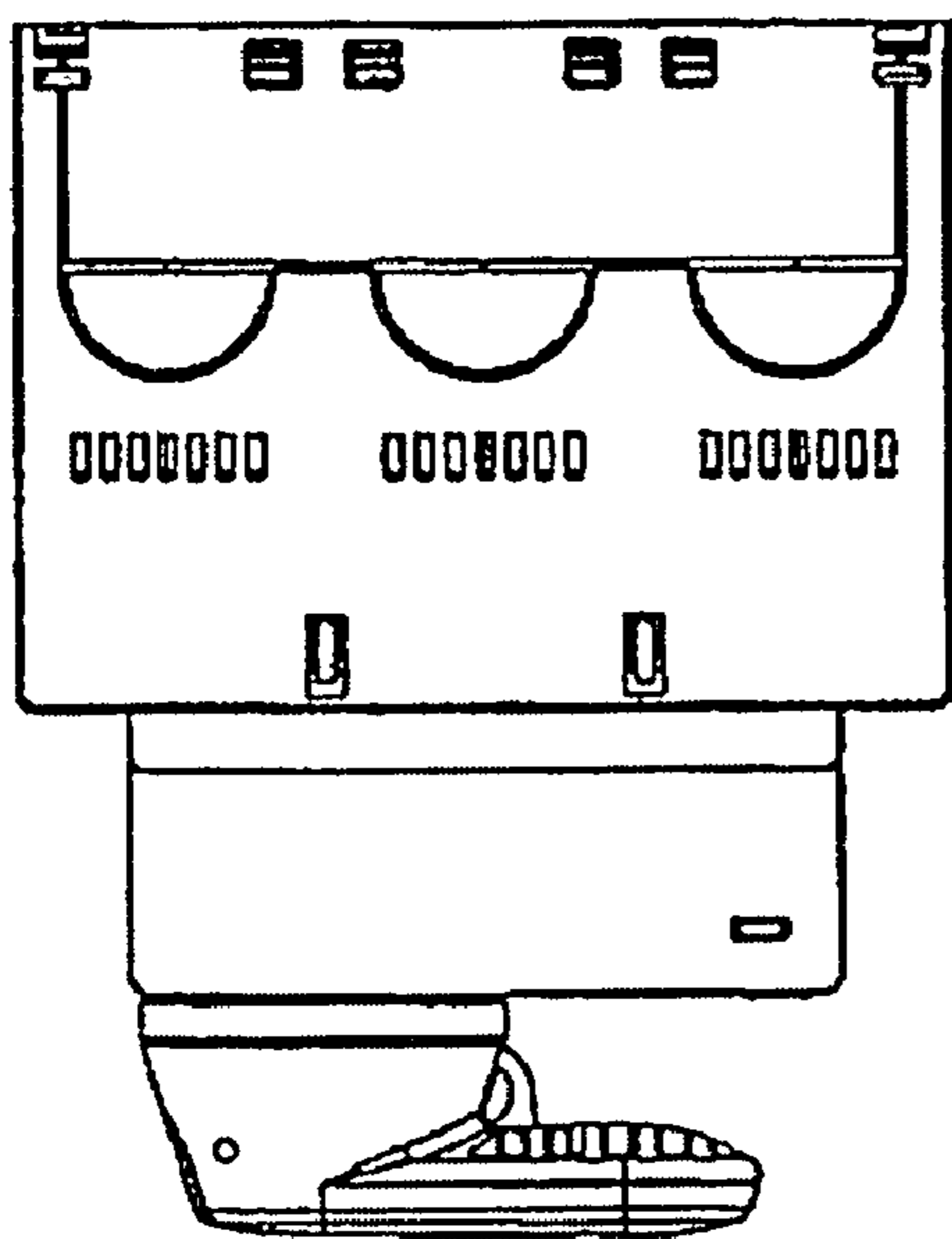


Fig. 4