



US00D606025S

(12) **United States Design Patent**
Cheng et al.

(10) **Patent No.:** **US D606,025 S**

(45) **Date of Patent:** **** Dec. 15, 2009**

(54) **CABLE GUIDE BRACKET**

(75) Inventors: **Hsiung-Kuei Cheng**, Taipei (TW);
Tung-Yuan Chen, Taipei (TW);
Shou-Ting Yeh, Taipei (TW);
Lien-Hsun Ho, Taipei (TW)

(73) Assignee: **Cyber Power System Inc.**, Taipei (TW)

(**) Term: **14 Years**

(21) Appl. No.: **29/337,607**

(22) Filed: **May 27, 2009**

(51) **LOC (9) Cl.** **13-03**

(52) **U.S. Cl.** **D13/155; D8/356**

(58) **Field of Classification Search** D13/146–149,
D13/151–155, 184; 439/412–413, 521, 709,
439/810–811, 814, 724, 798; 174/145; D8/356,
D8/396

See application file for complete search history.

(56) **References Cited**

U.S. PATENT DOCUMENTS

D326,999 S * 6/1992 Johnson et al. D8/356
D404,010 S * 1/1999 Viklund et al. D13/155

D462,665 S * 9/2002 Witting D13/155
D468,699 S * 1/2003 Bjorklund et al. D13/155
D509,479 S * 9/2005 DePaola D13/155
D568,254 S * 5/2008 Patchett et al. D13/155

* cited by examiner

Primary Examiner—Brian N Vinson

(74) *Attorney, Agent, or Firm*—Alan Kamrath; Kamrath & Associates PA

(57) **CLAIM**

The ornamental design for a cable guide bracket, as shown.

DESCRIPTION

FIG. 1 is a perspective view of a cable guide bracket showing our new design;

FIG. 2 is a front view thereof;

FIG. 3 is a rear view thereof;

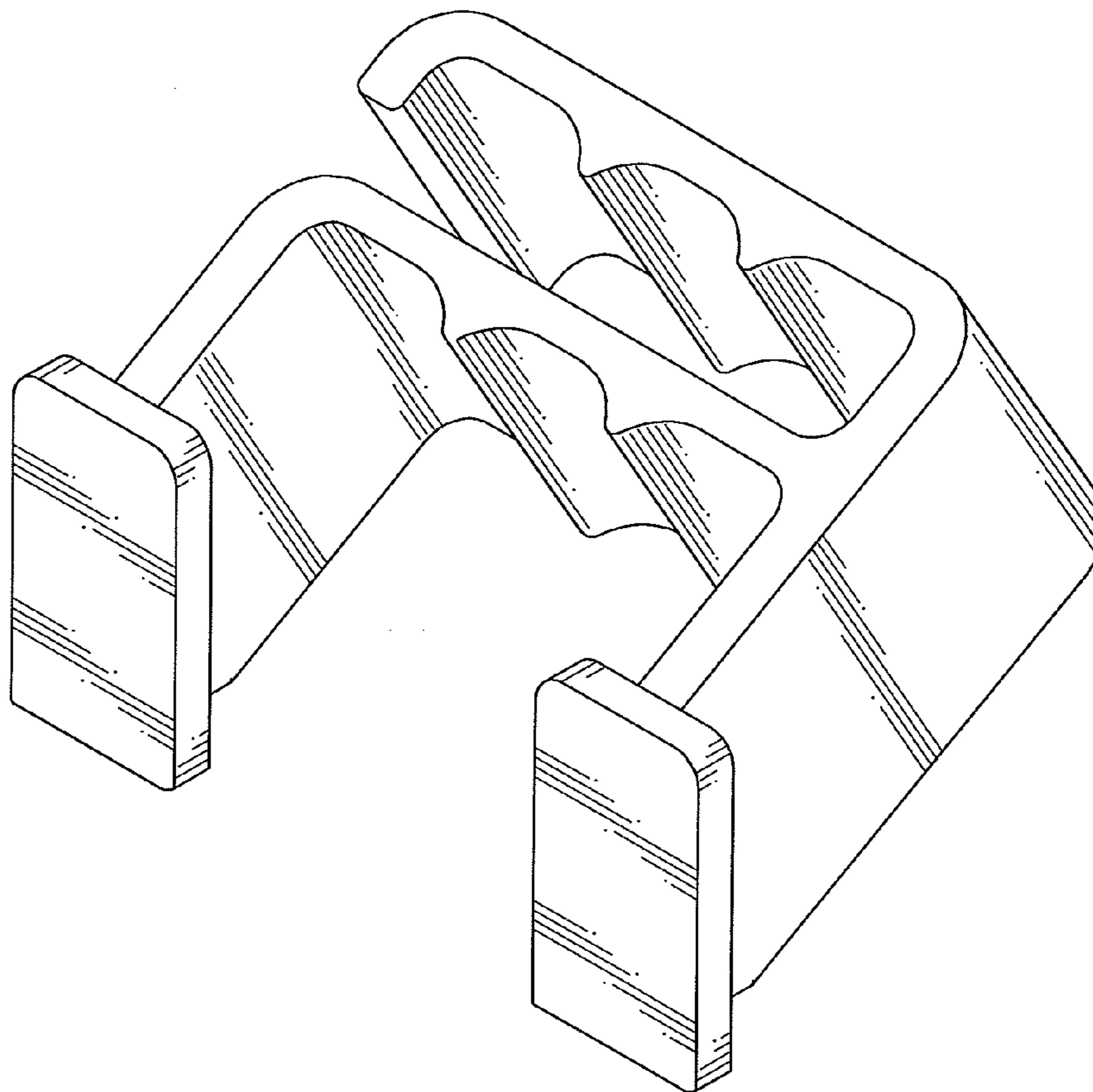
FIG. 4 is a left view thereof;

FIG. 5 is a right view thereof;

FIG. 6 is a top view thereof; and,

FIG. 7 is a bottom view thereof.

1 Claim, 4 Drawing Sheets



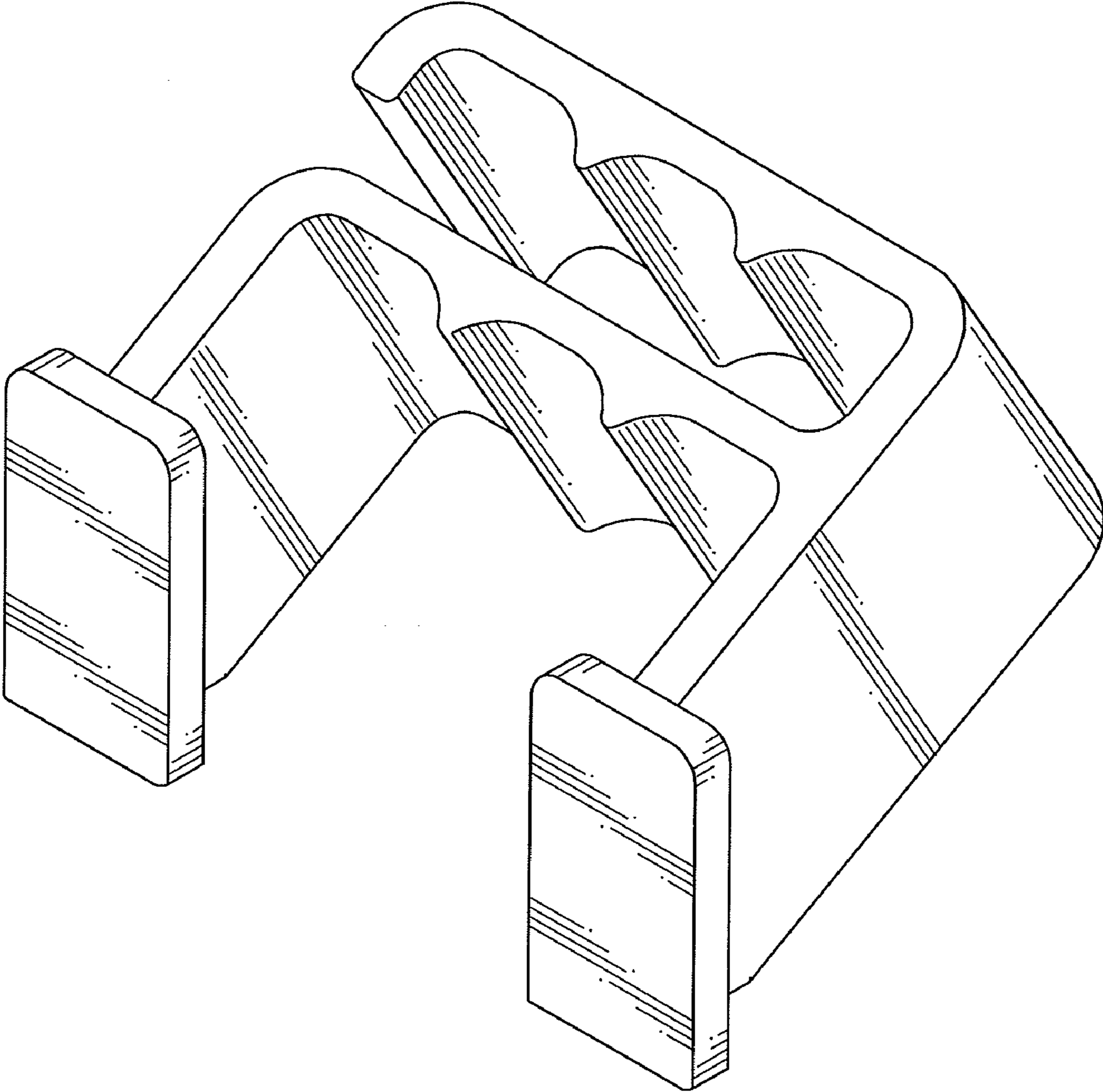


FIG. 1

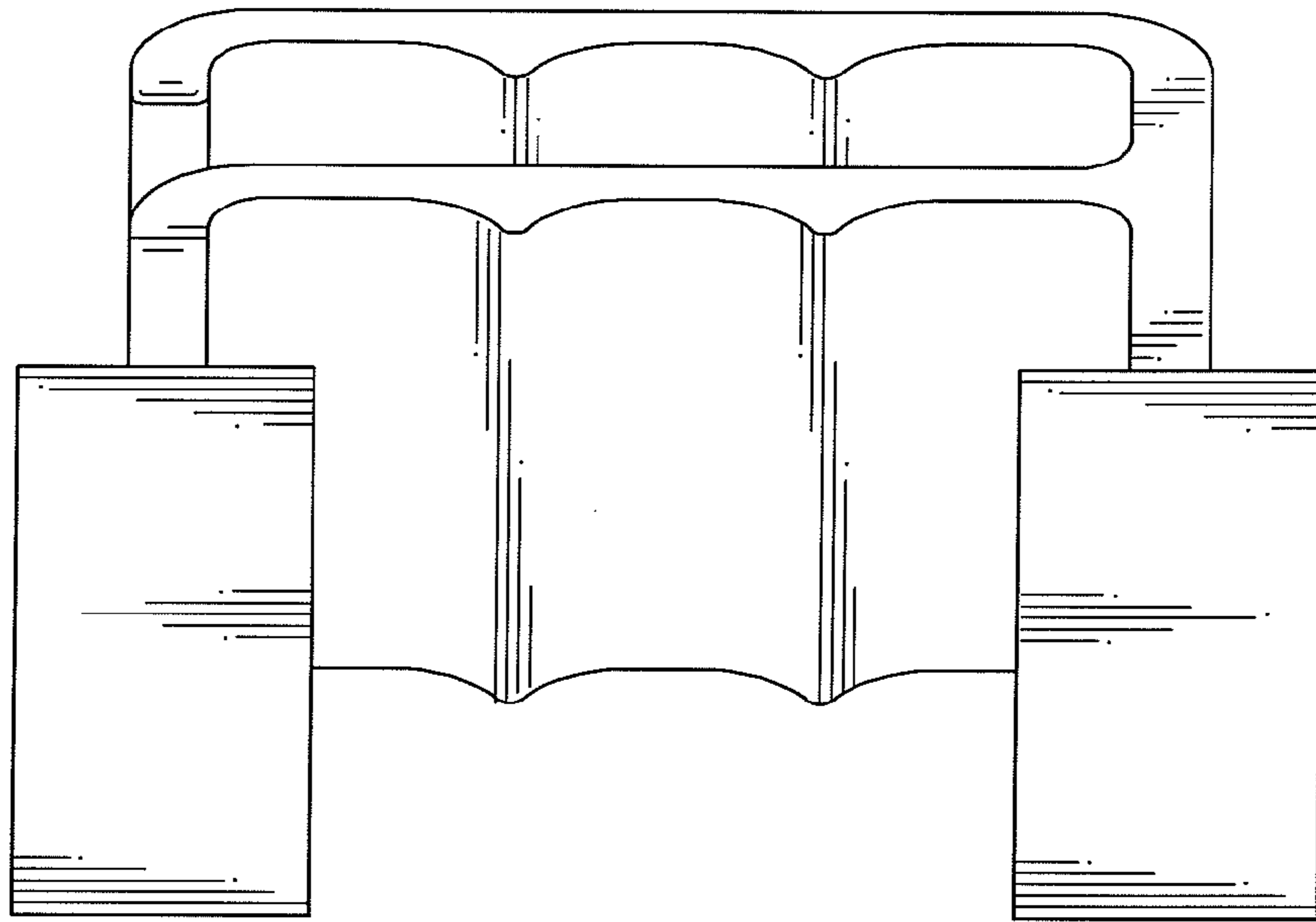


FIG. 2

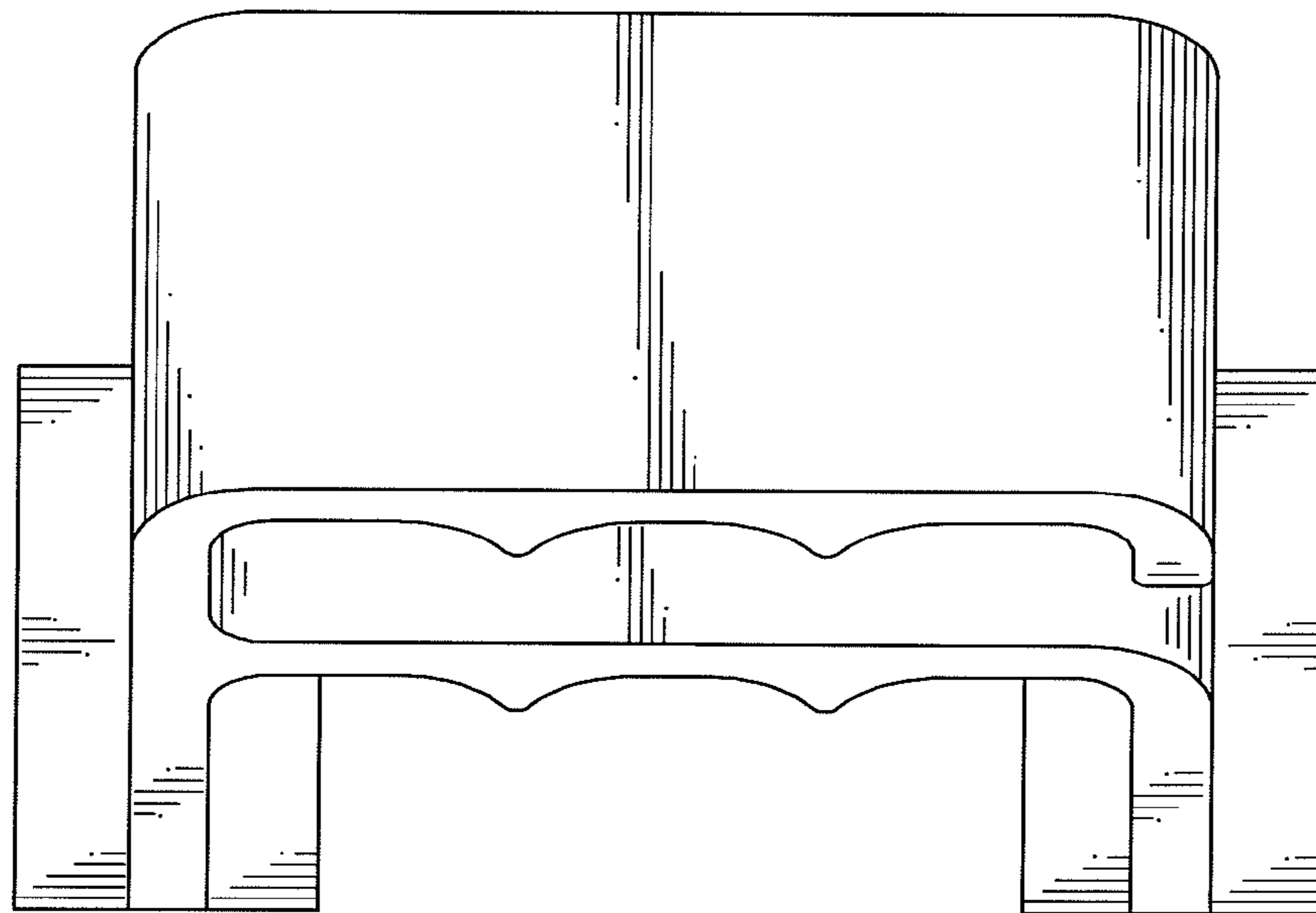


FIG. 3

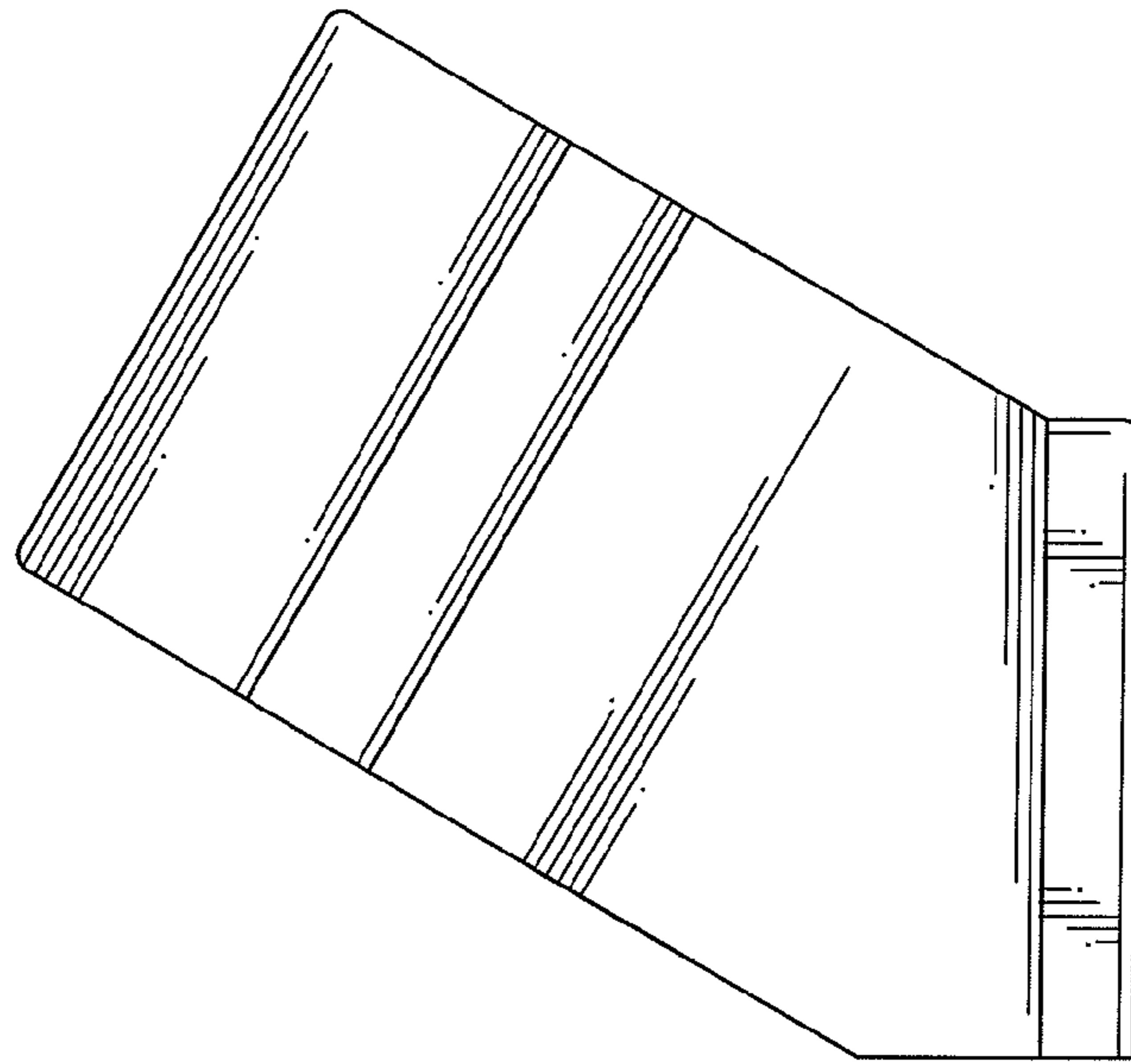


FIG. 4

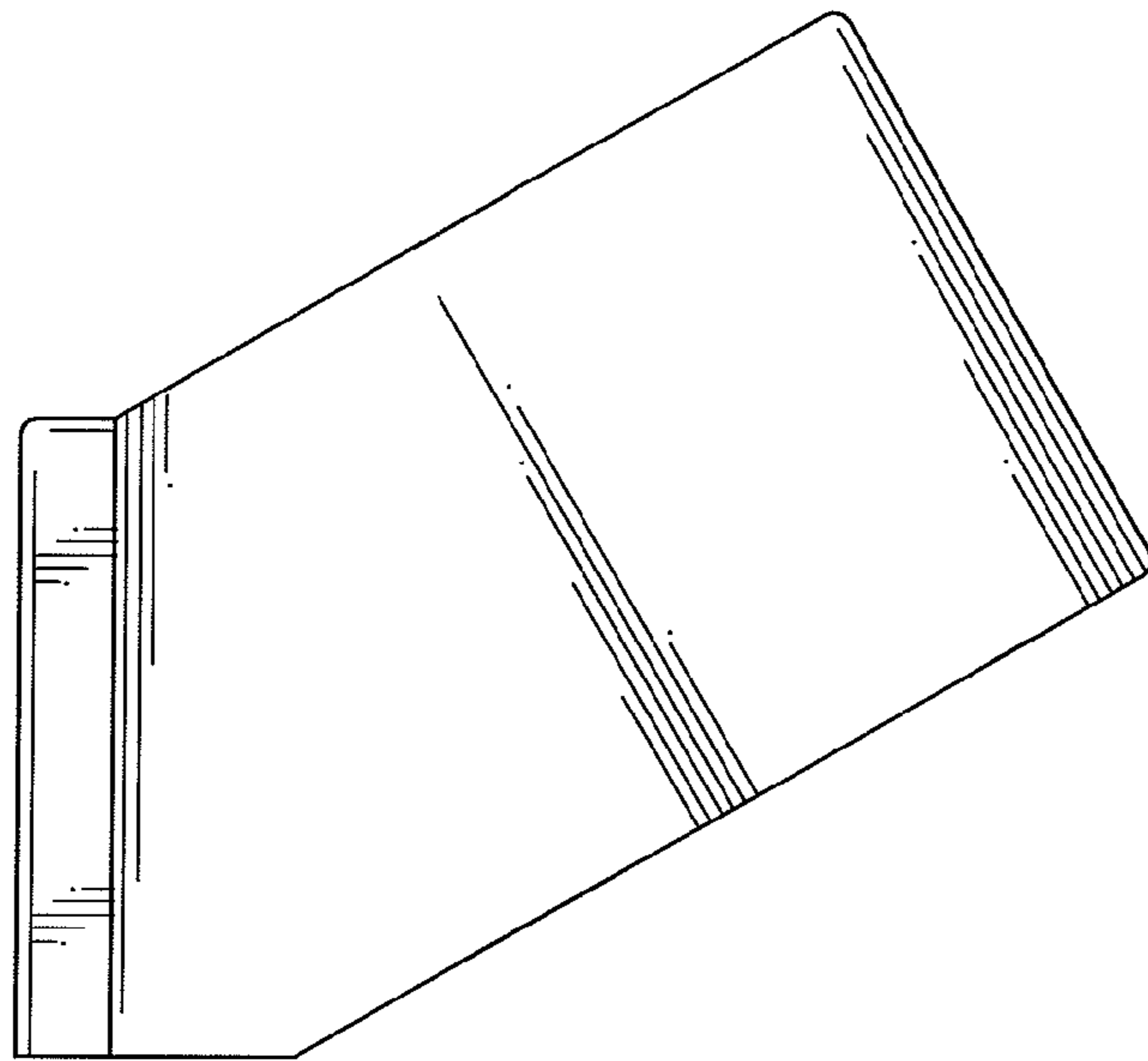


FIG. 5

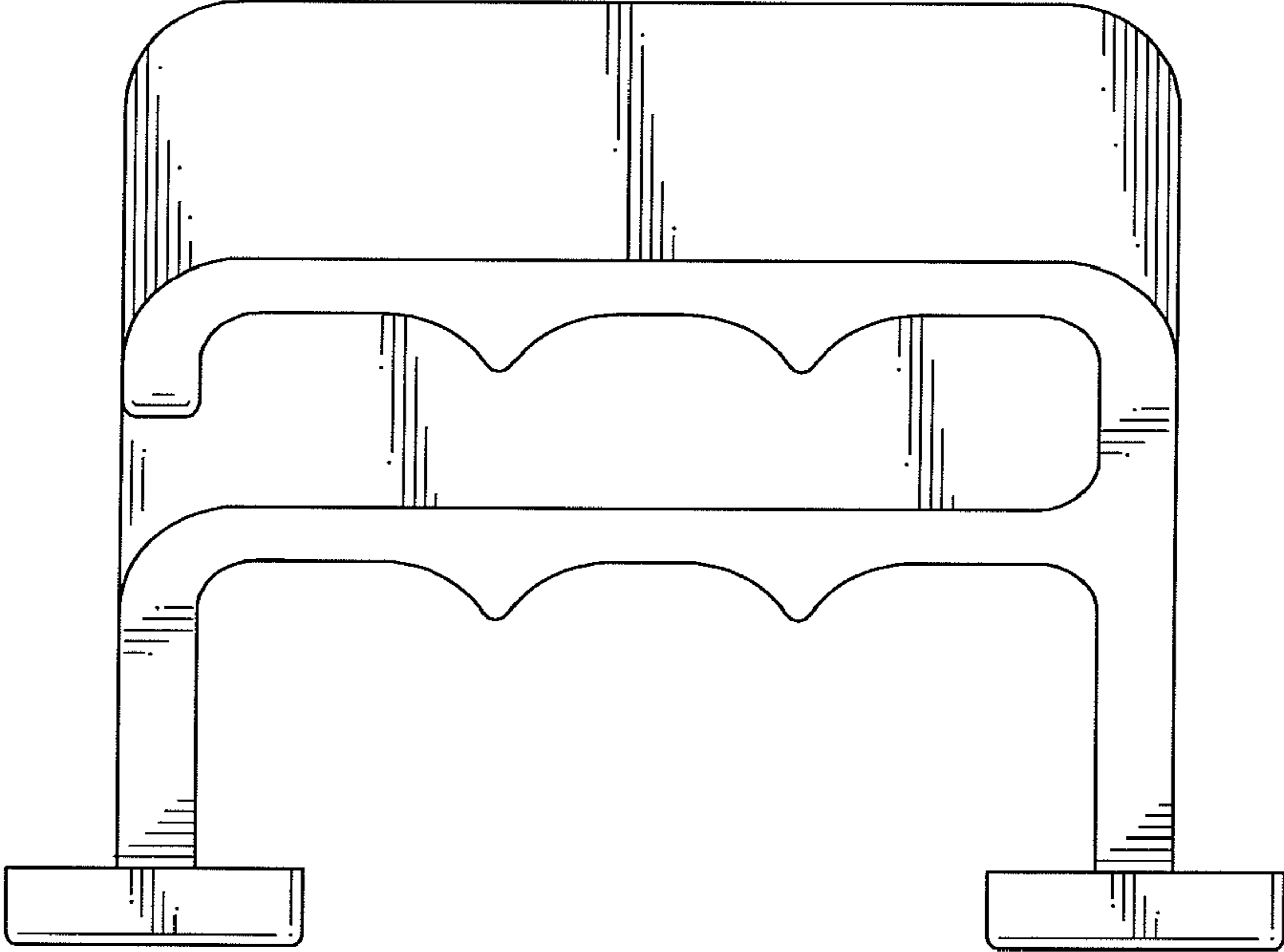


FIG. 6

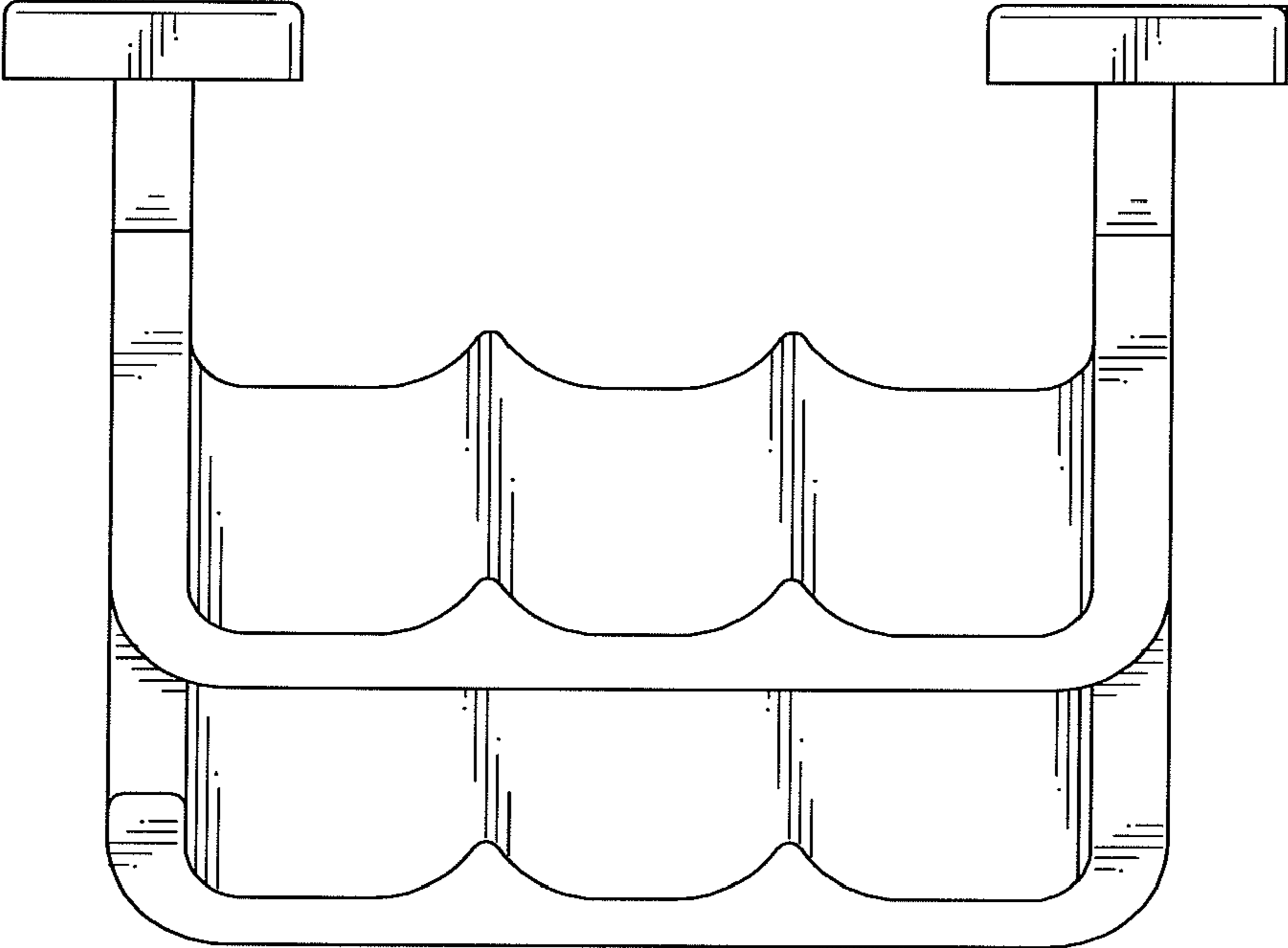


FIG. 7