



US00D606024S

(12) **United States Design Patent**
Chiang

(10) **Patent No.:** **US D606,024 S**

(45) **Date of Patent:** **** Dec. 15, 2009**

(54) **CONNECTOR CONTACT**

D568,815 S * 5/2008 Chiang et al. D13/133
D593,037 S * 5/2009 Shien-Tang D13/154

(75) Inventor: **Shu Man Chiang**, Tu-Cheng (TW)

* cited by examiner

(73) Assignee: **Cheng Uei Precision Industry Co., Ltd.**, Taipei Hsien (TW)

Primary Examiner—Daniel D Bui

(74) *Attorney, Agent, or Firm*—Rosenberg, Klein & Lee

(**) Term: **14 Years**

(57) **CLAIM**

(21) Appl. No.: **29/311,514**

The ornamental design for a connector contact, as shown and described.

(22) Filed: **Apr. 6, 2009**

(51) **LOC (9) Cl.** **13-03**

(52) **U.S. Cl.** **D13/154**

(58) **Field of Classification Search** D13/120,
D13/133, 154, 184; 439/748–749, 845, 849–850,
439/857, 861, 870, 877, 884–885, 887
See application file for complete search history.

DESCRIPTION

FIG. 1 is a perspective view of a connector contact showing my new design;

FIG. 2 is a front elevational view thereof;

FIG. 3 is a rear elevational view thereof;

FIG. 4 is a left side elevational view thereof;

FIG. 5 is a right side elevational view thereof;

FIG. 6 is a top plan view thereof; and,

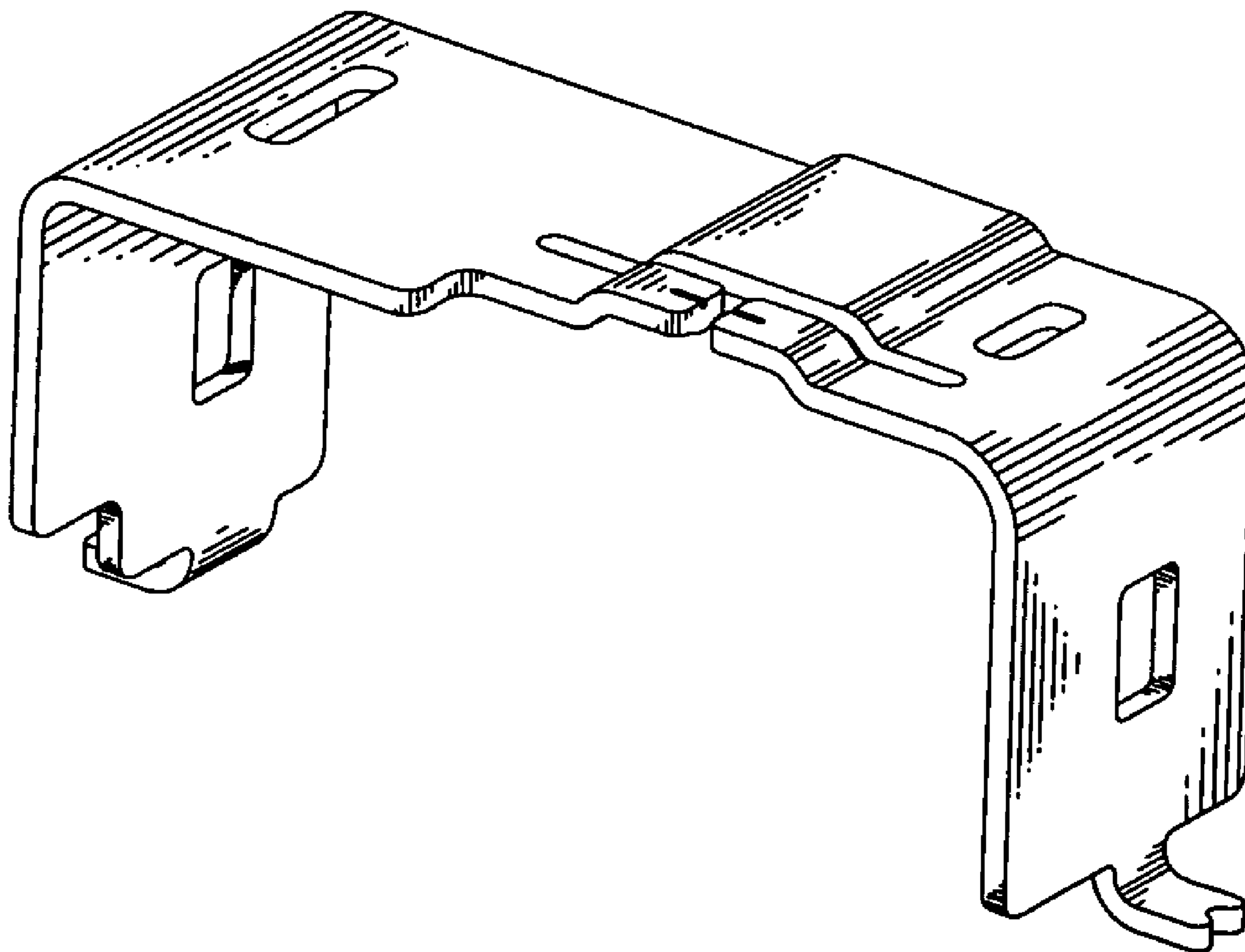
FIG. 7 is a bottom plan view thereof.

(56) **References Cited**

U.S. PATENT DOCUMENTS

4,970,353 A * 11/1990 Kotz 174/138 F
D491,535 S * 6/2004 Chien D13/154
6,796,839 B1 * 9/2004 Wu 439/607.01

1 Claim, 7 Drawing Sheets



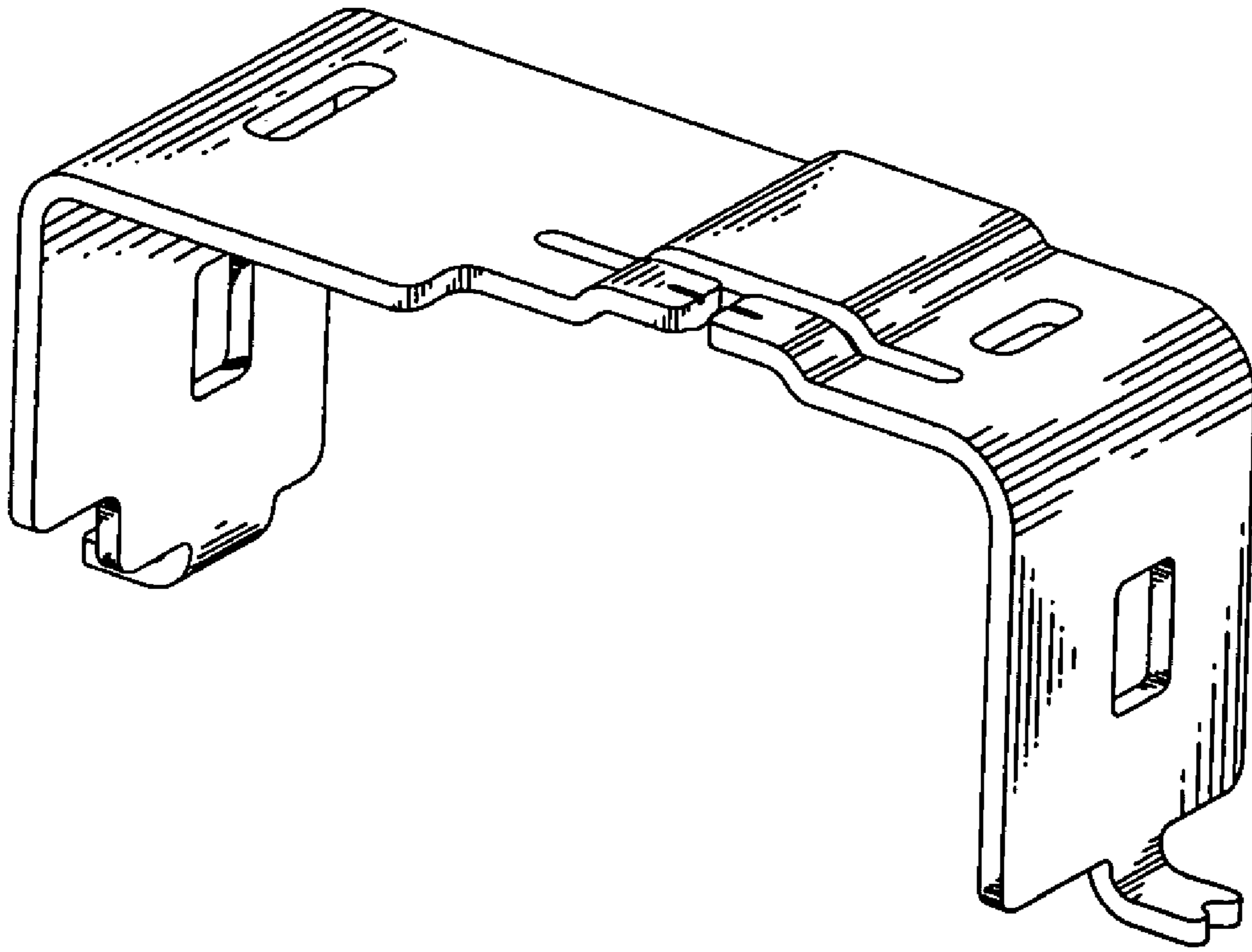


FIG. 1

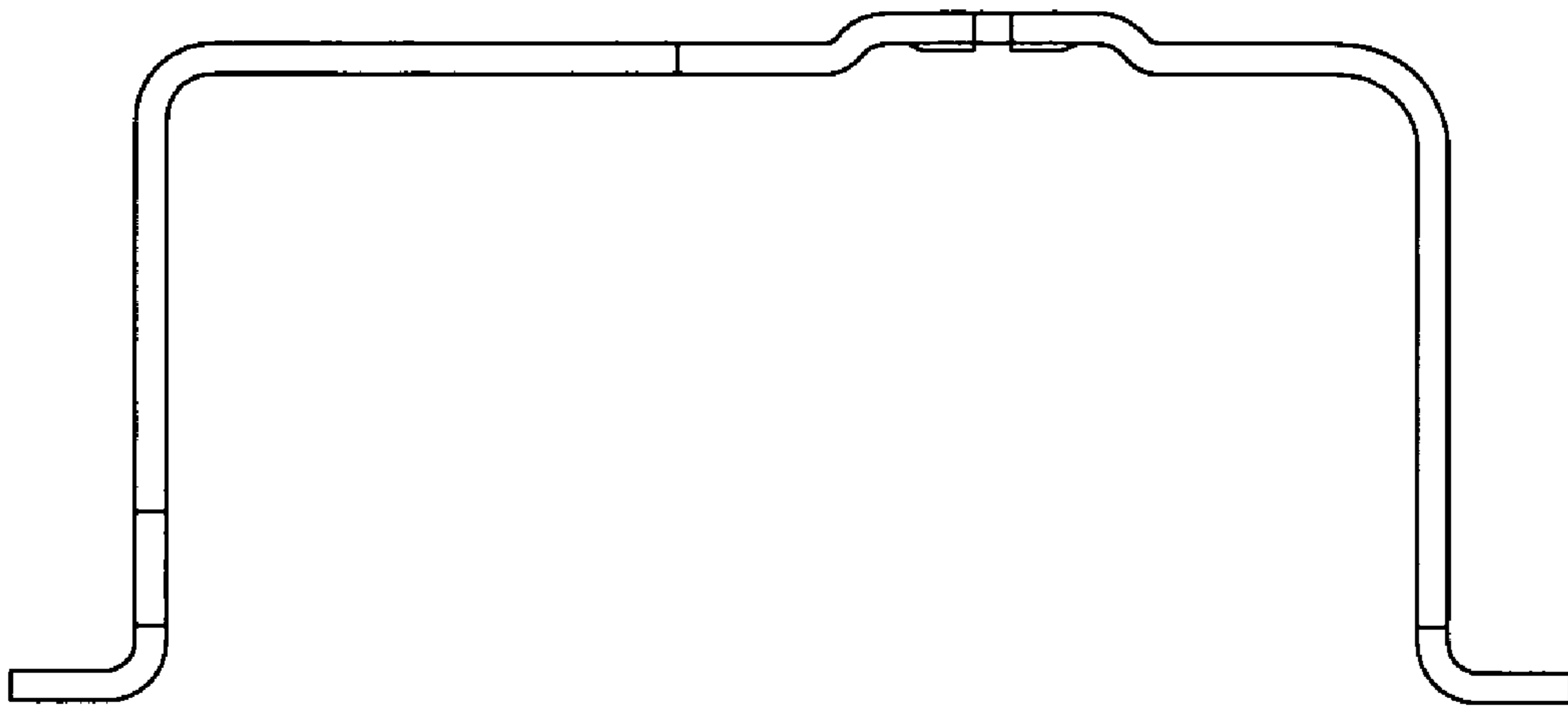


FIG. 2

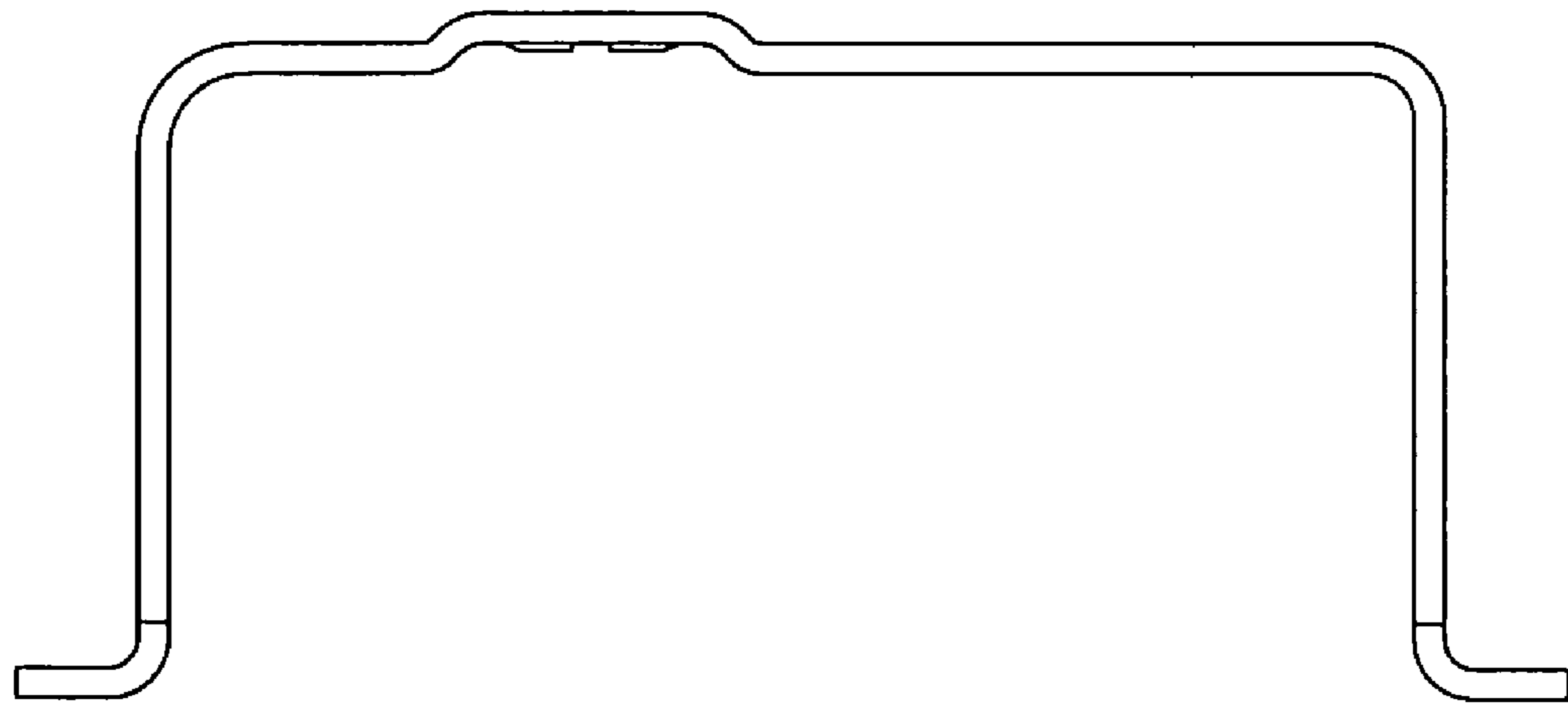


FIG. 3

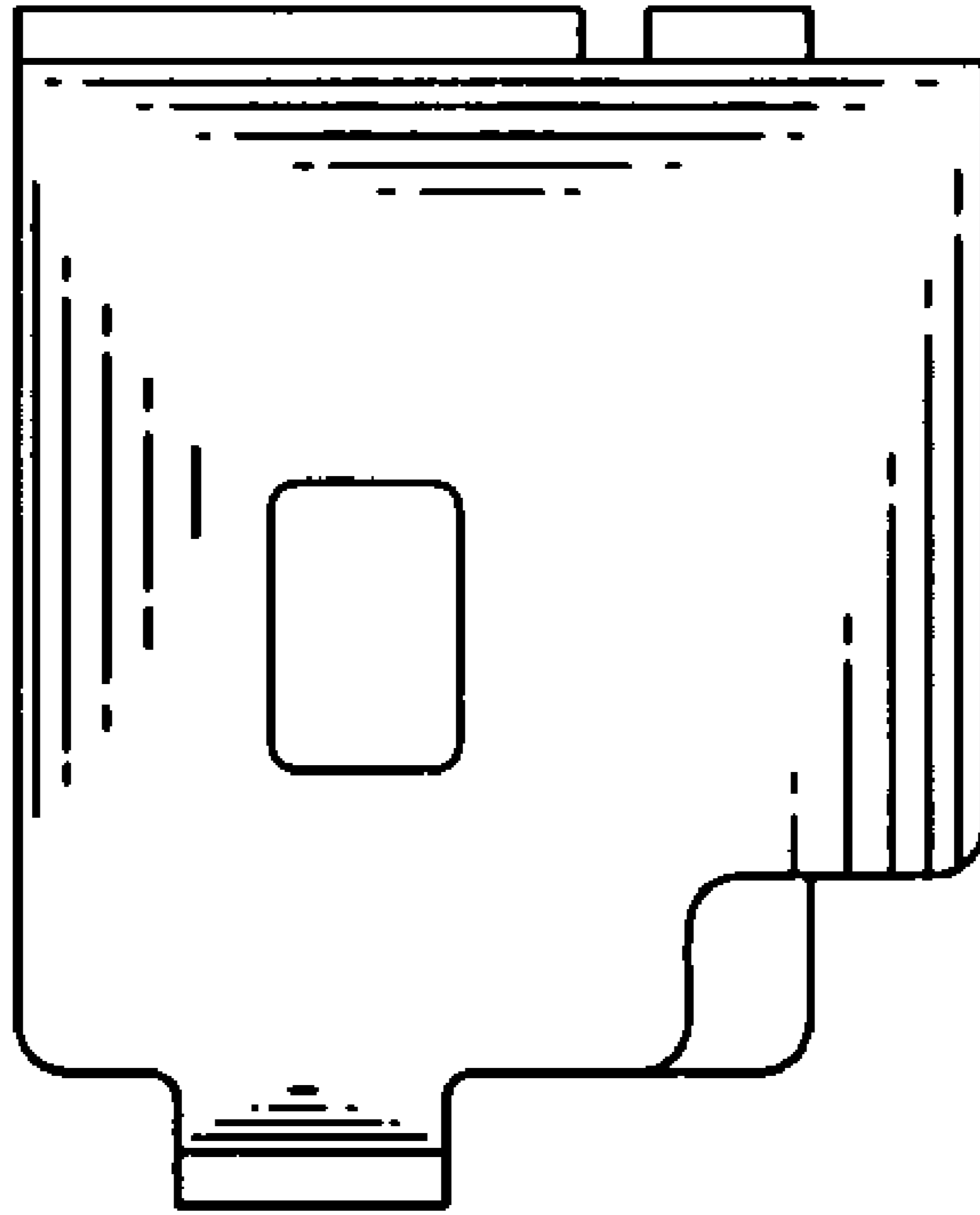


FIG. 4

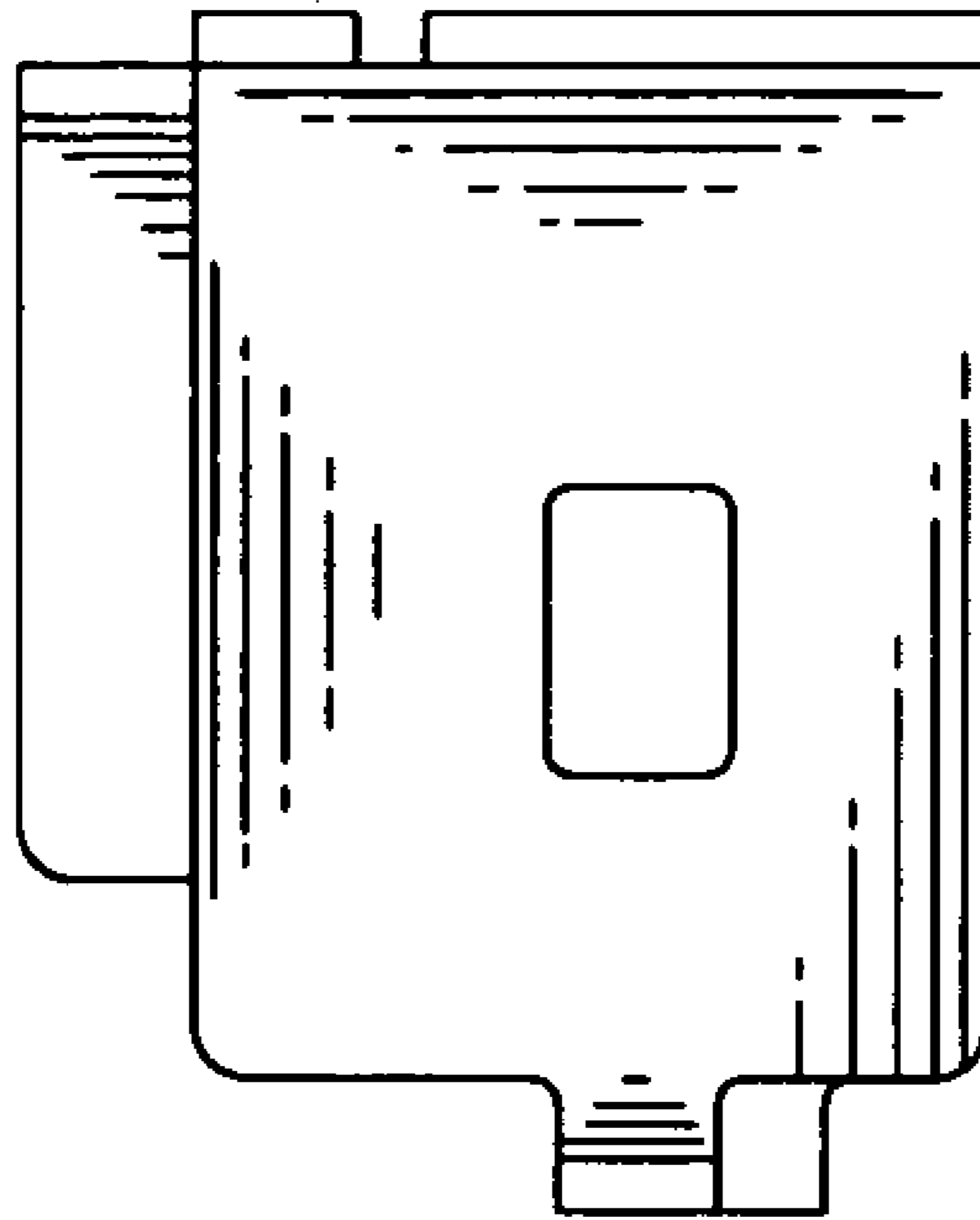


FIG. 5

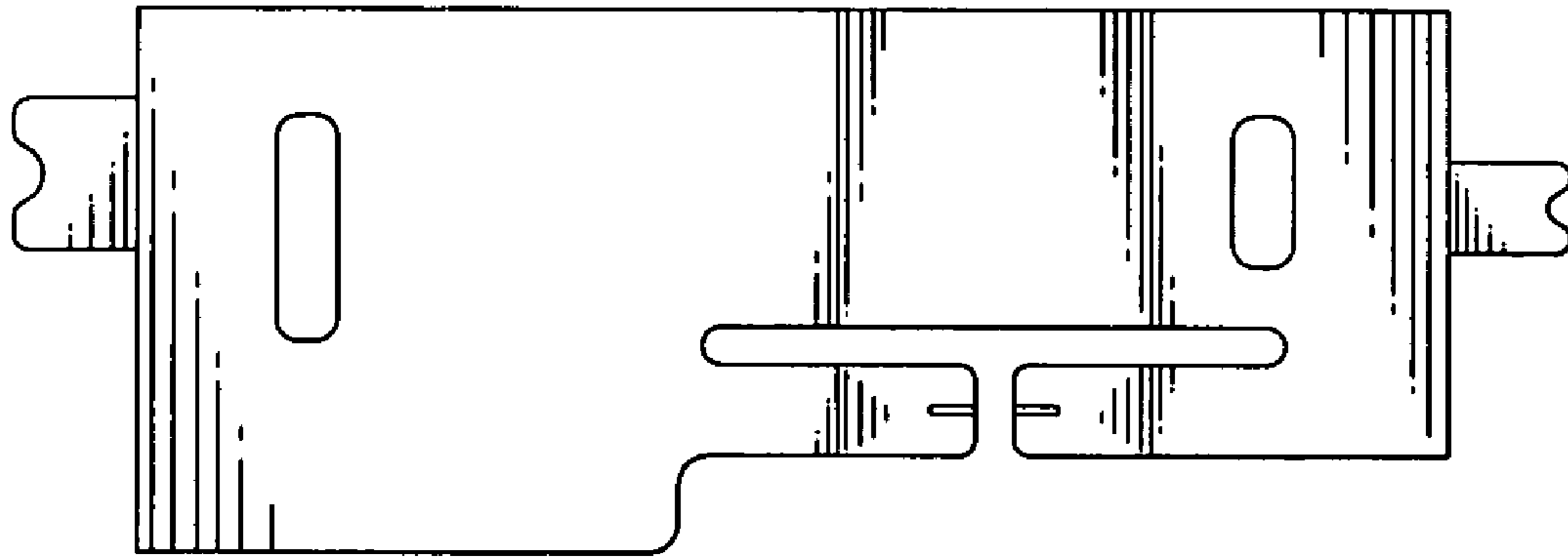


FIG. 6

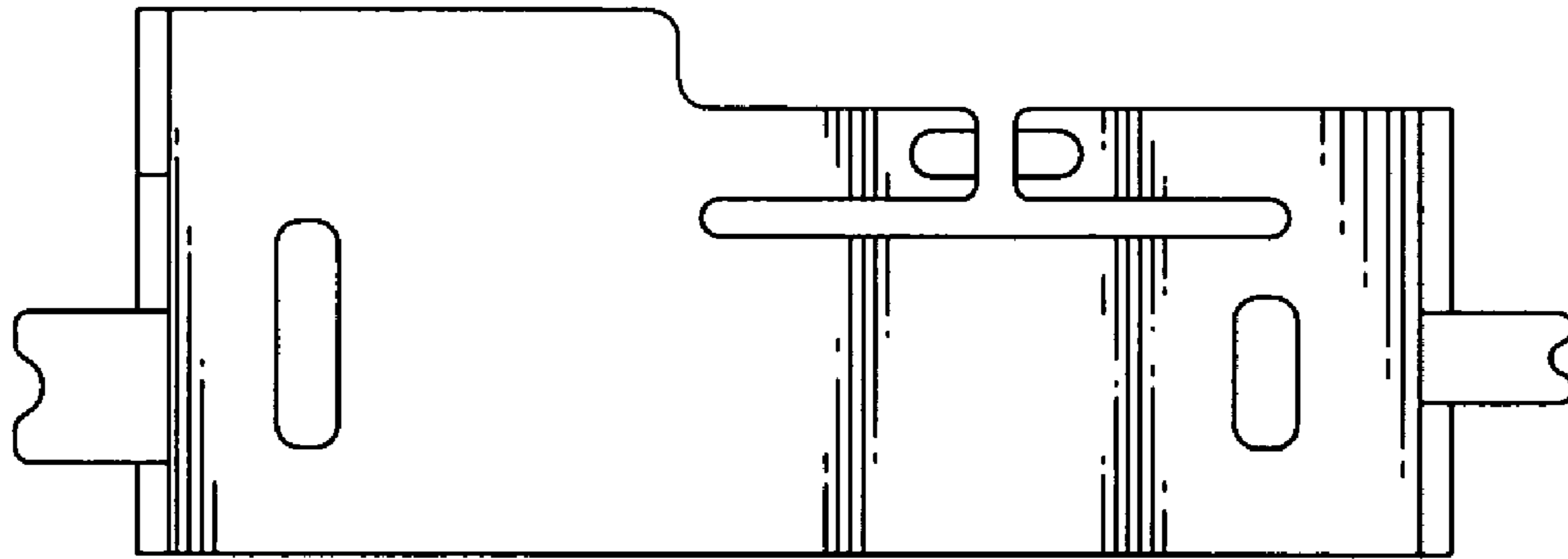


FIG. 7