

US00D606021S

(12) **United States Design Patent**  
**Panaccione et al.**

(10) **Patent No.:** **US D606,021 S**

(45) **Date of Patent:** **\*\* Dec. 15, 2009**

(54) **LED PACKAGE**

(75) Inventors: **Paul Panaccione**, Newburyport, MA (US); **Christian Hoepfner**, North Andover, MA (US); **Georgia Chmielewski**, Plaistow, NH (US); **John W. Graff**, Swampscott, MA (US); **Robert F. Karlicek**, Chelmsford, MA (US); **Daniel Mendoza**, Pelham, NH (US); **Michael Denninger**, Belmont, MA (US)

(73) Assignee: **Luminus Devices, Inc.**, Billerica, MA (US)

(\*\*) Term: **14 Years**

(21) Appl. No.: **29/285,429**

(22) Filed: **Mar. 29, 2007**

(51) **LOC (9) Cl.** ..... **13-03**

(52) **U.S. Cl.** ..... **D13/133; D13/180**

(58) **Field of Classification Search** ..... D13/133, D13/134, 180; D25/113, 116, 119, 136; 257/79, 80, 81, 88, 89, 95, 98, 99, 100; 313/483, 313/498, 500; 362/555, 800; 361/719, 807; 439/65, 67, 157, 260, 325, 328

See application file for complete search history.

(56) **References Cited**

**U.S. PATENT DOCUMENTS**

D349,886 S *	8/1994	Derouiche	.....	D13/147
5,810,613 A *	9/1998	Ati et al.	.....	439/157
6,515,858 B2 *	2/2003	Rodriguez et al.	.....	361/695
6,733,301 B2 *	5/2004	Brown, III	.....	439/65
6,914,261 B2 *	7/2005	Ho	.....	257/79
7,081,645 B2	7/2006	Chen et al.		

7,105,861 B2	9/2006	Erchak et al.	
7,170,100 B2	1/2007	Erchak et al.	
D574,337 S *	8/2008	Panaccione et al.	..... D13/180
D576,968 S *	9/2008	Panaccione et al.	..... D13/180
2005/0287834 A1 *	12/2005	Nishimura et al.	..... 439/67
2007/0045640 A1	3/2007	Erchak et al.	
2007/0059964 A1 *	3/2007	Choy et al.	..... 439/328
2007/0085082 A1 *	4/2007	Erchak et al.	..... 257/79
2007/0115556 A1	5/2007	Erchak et al.	
2007/0127225 A1 *	6/2007	Slaton	..... 361/807
2007/0267642 A1	11/2007	Erchak et al.	

\* cited by examiner

*Primary Examiner*—Selina Sikder

(74) *Attorney, Agent, or Firm*—Wolf, Greenfield & Sacks, P.C.

(57) **CLAIM**

The ornamental design for a LED package, as shown and described.

**DESCRIPTION**

FIG. 1 is a side, top, perspective view of an LED package with all elements thereof except for a connector shown in phantom;

FIG. 2 is a top view thereof;

FIG. 3 is a right side view;

FIG. 4 is a left side view;

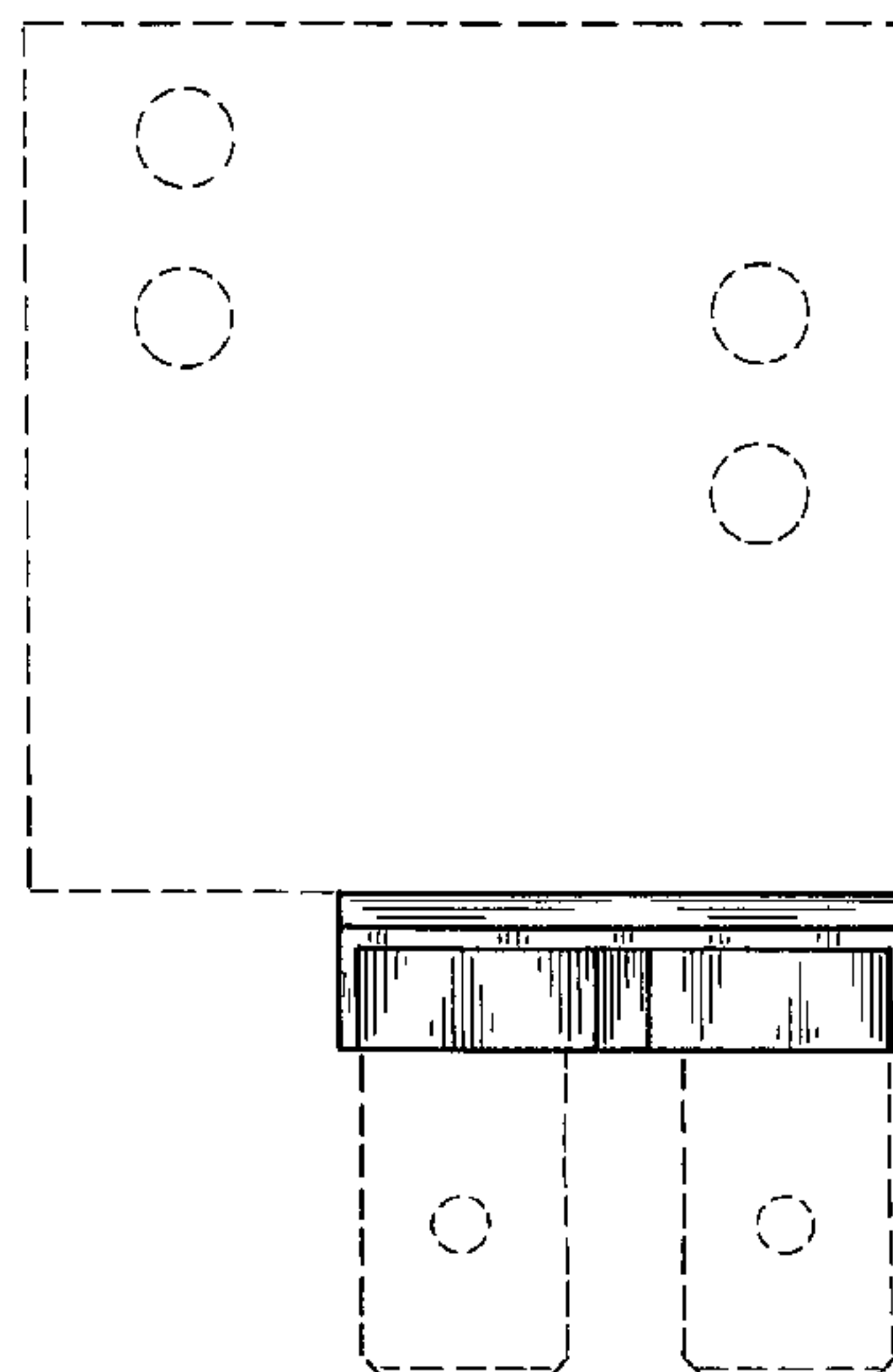
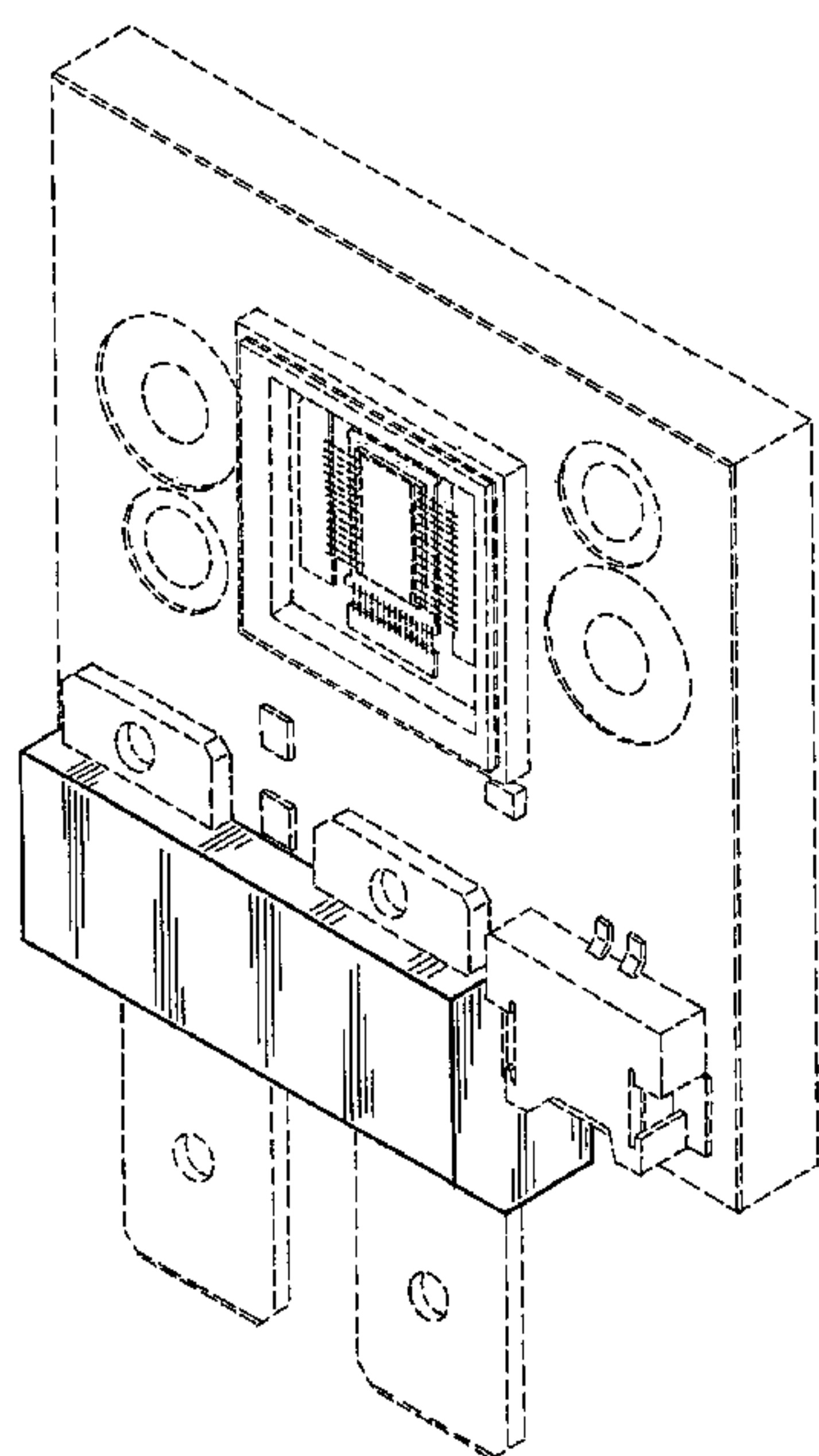
FIG. 5 is a front view;

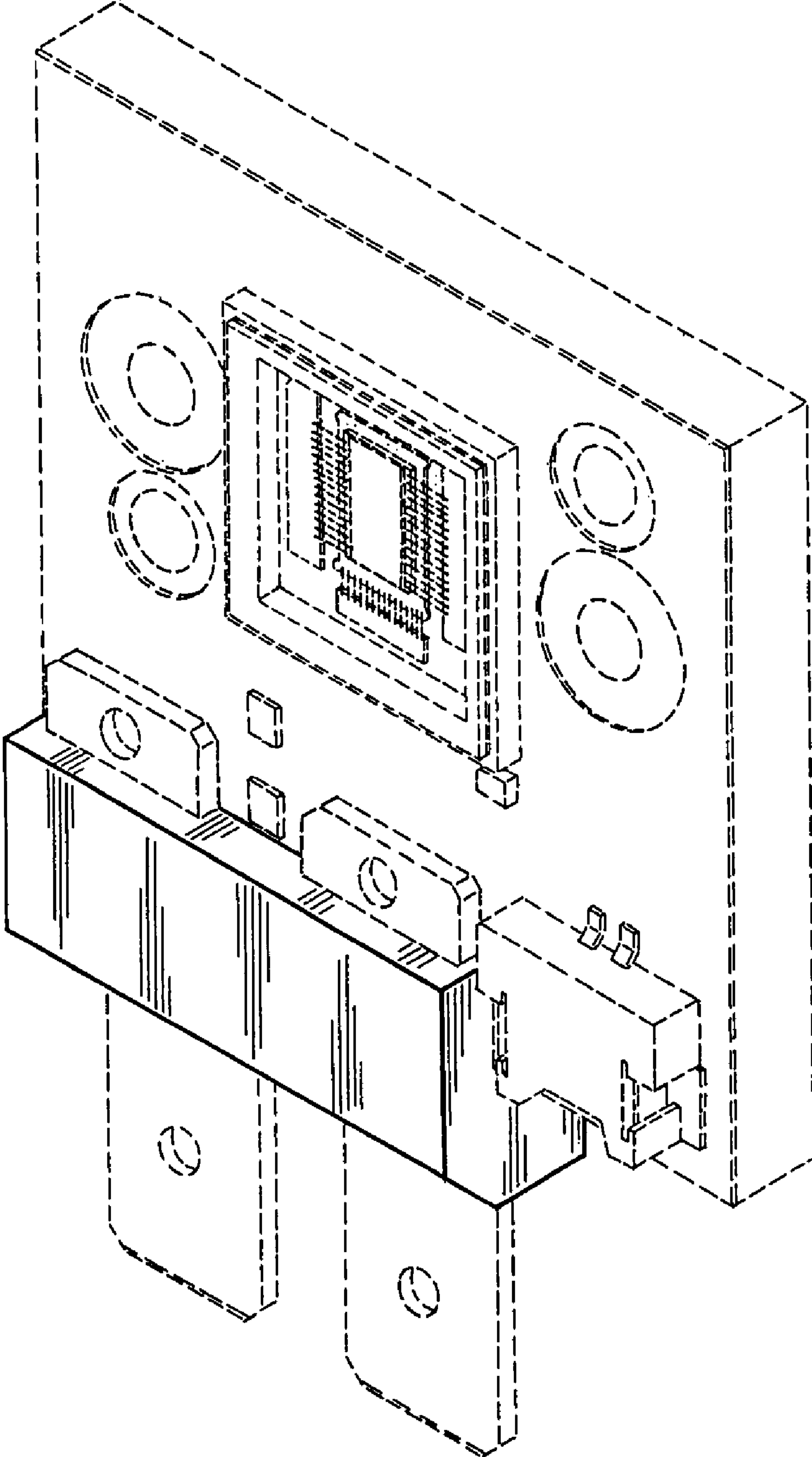
FIG. 6 is a rear view; and,

FIG. 7 is a bottom view.

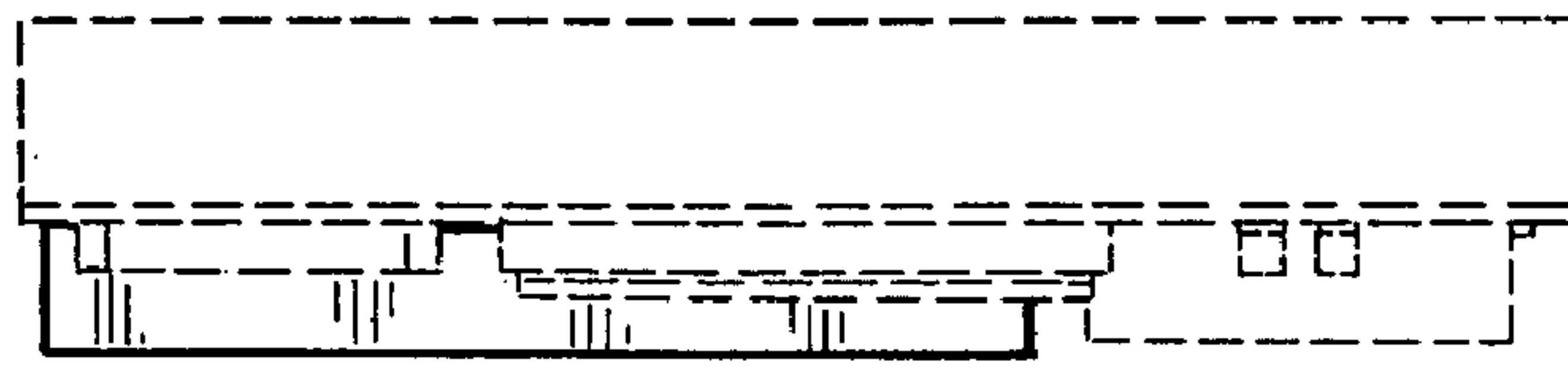
The broken line showing of portions of the LED package is for illustrative purpose only and forms no part of the claimed design.

**1 Claim, 3 Drawing Sheets**

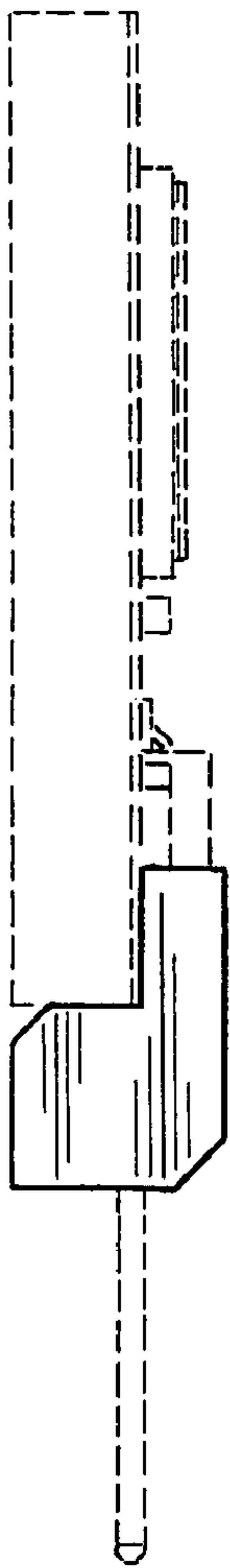




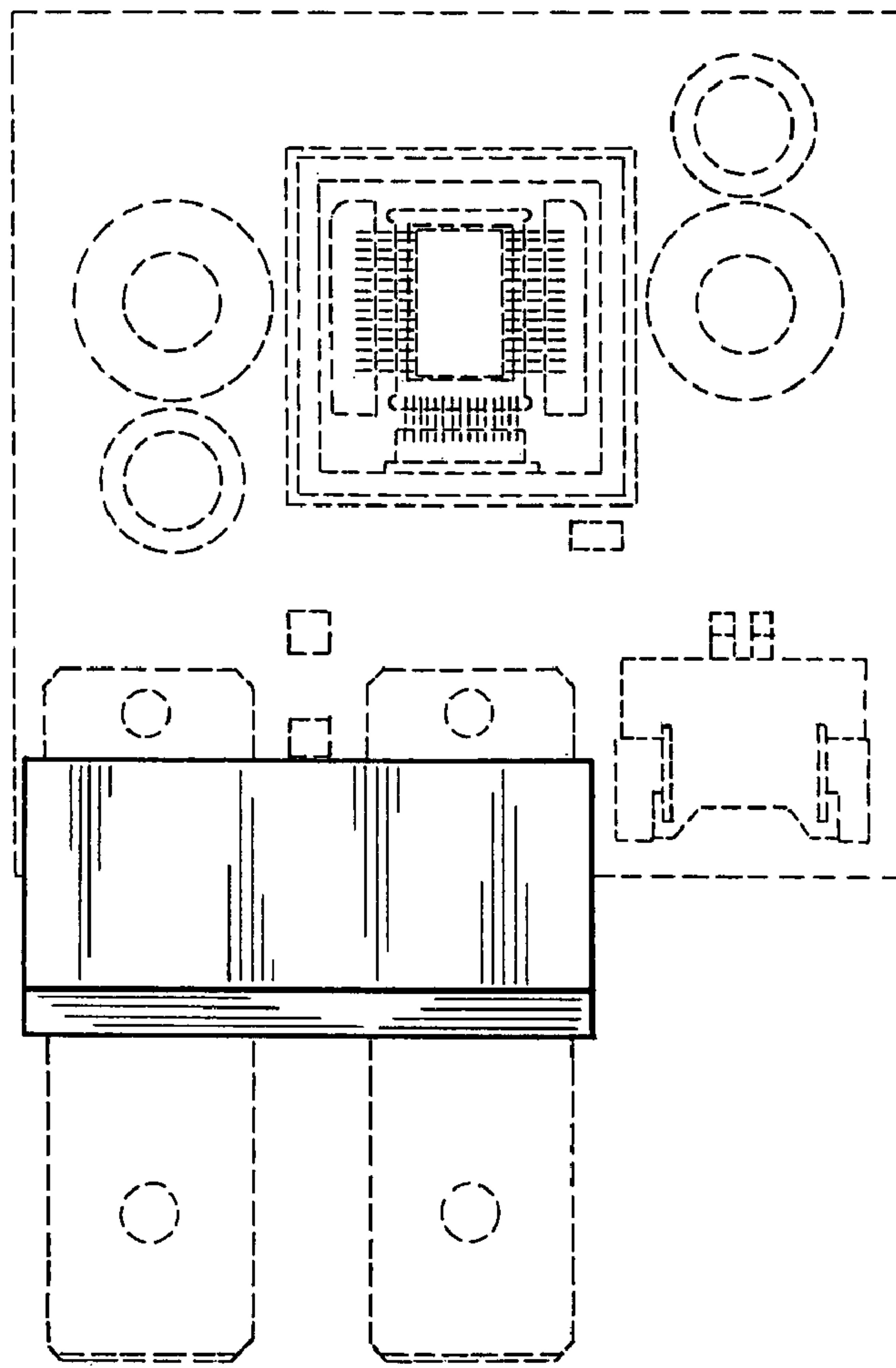
*Fig. 1*



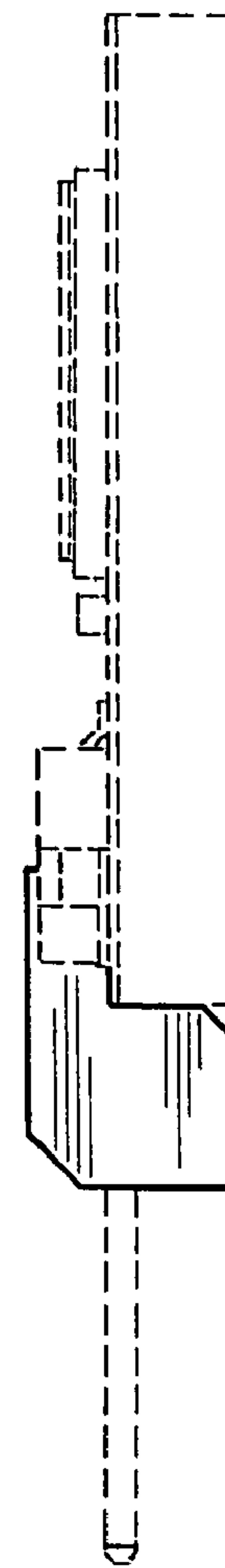
*Fig. 5*



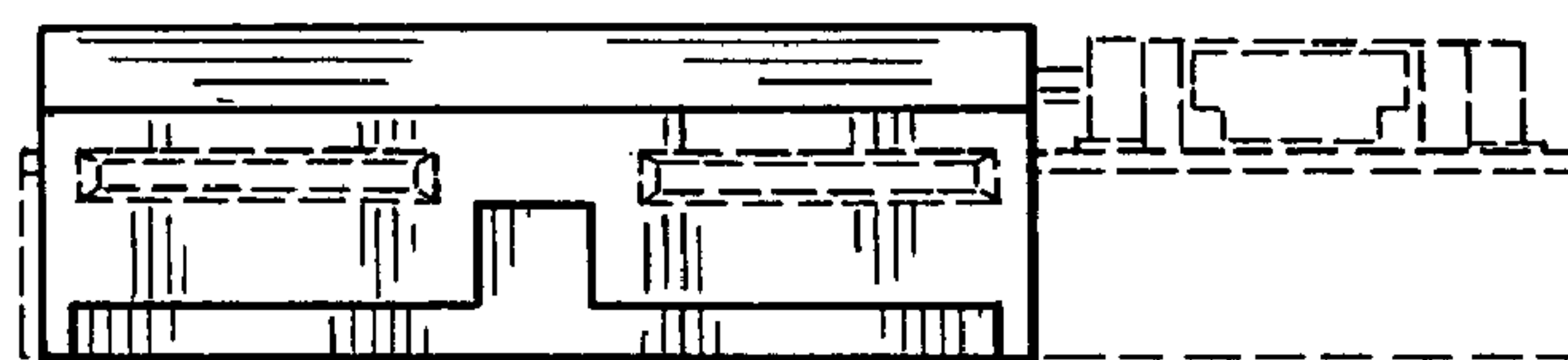
*Fig. 3*



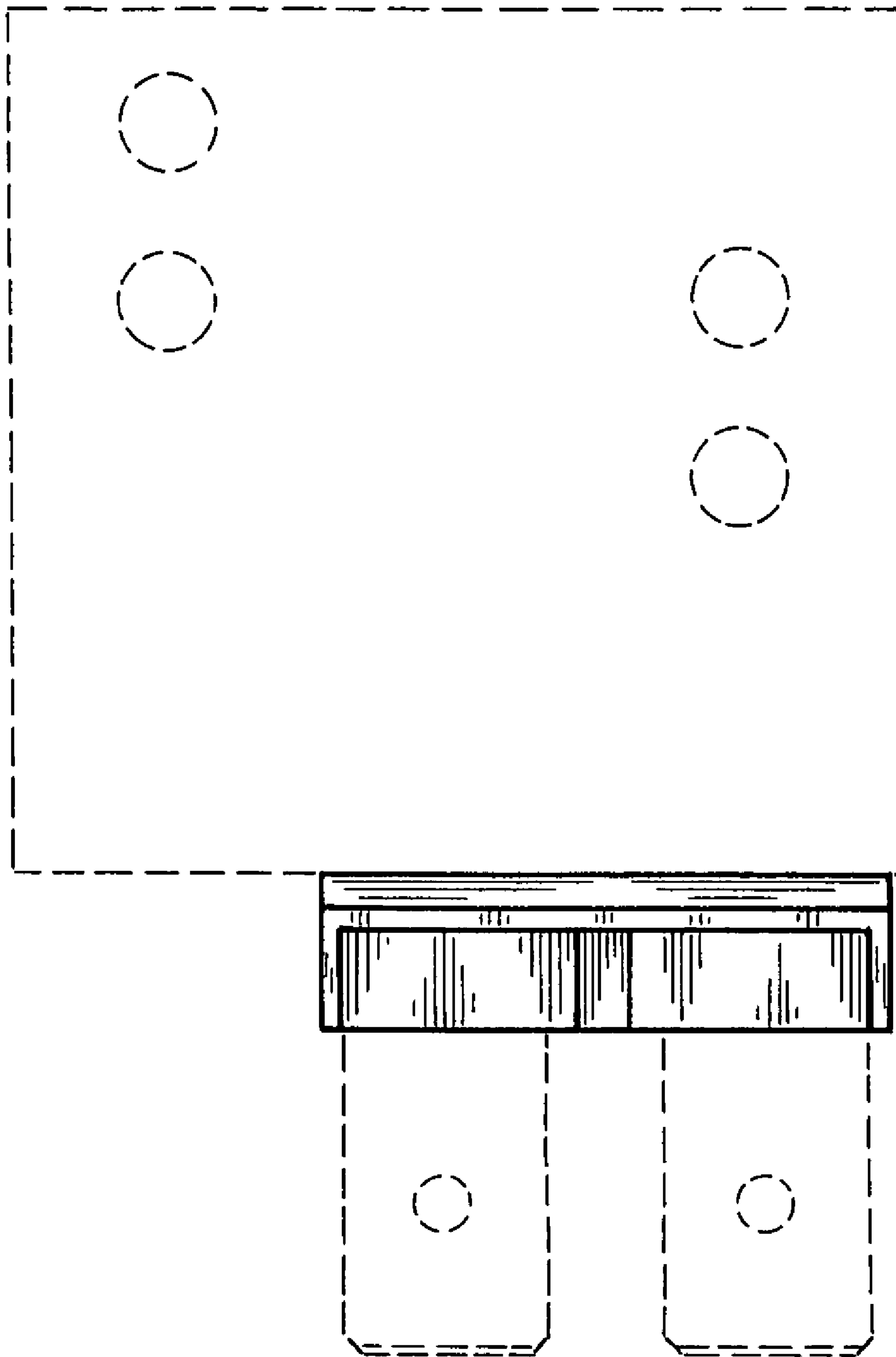
*Fig. 2*



*Fig. 4*



*Fig. 6*



*Fig. 7*