



US00D606006S

(12) **United States Design Patent**
Iwai

(10) **Patent No.:** **US D606,006 S**
(45) **Date of Patent:** **** Dec. 15, 2009**

(54) **TIRE FOR AUTOMOBILE**

(75) Inventor: **Yoshitaka Iwai**, Hyogo-ken (JP)

(73) Assignee: **The Goodyear Tire & Rubber Company**, Akron, OH (US)

(**) Term: **14 Years**

(21) Appl. No.: **29/339,795**

(22) Filed: **Jul. 8, 2009**

(30) **Foreign Application Priority Data**

Jan. 15, 2009 (JP) 2009-000654

(51) **LOC (9) Cl.** **12-15**

(52) **U.S. Cl.** **D12/556**

(58) **Field of Classification Search** D12/533-567,
D12/586-591, 900-901; 152/209.1, 209.8-209.19,
152/209.25-209.28

See application file for complete search history.

(56) **References Cited**

U.S. PATENT DOCUMENTS

D290,826 S	7/1987	Nakaseko	D12/147
D368,687 S	4/1996	Hayashi	D12/147
D407,676 S *	4/1999	Morishita et al.	D12/556
D422,246 S	4/2000	Fierro et al.	D12/146
D461,763 S *	8/2002	Kuramochi et al.	D12/556
D473,513 S	4/2003	Welbes	D12/588
D483,006 S	12/2003	Brayer et al.	D12/588
D484,848 S *	1/2004	Heinen et al.	D12/556
D490,045 S	5/2004	Delu et al.	D12/519
D491,518 S *	6/2004	Miyabe et al.	D12/556
D507,519 S *	7/2005	Lo	D12/556
D511,739 S *	11/2005	Yamane et al.	D12/556
D512,014 S *	11/2005	Ishida et al.	D12/556
D522,962 S *	6/2006	Ishida et al.	D12/556
D531,116 S	10/2006	Heinen et al.	D12/590

D534,483 S *	1/2007	Graas et al.	D12/554
D542,217 S	5/2007	Heinen et al.	D12/555
D559,771 S *	1/2008	Robert et al.	D12/556
D588,982 S *	3/2009	Takahashi	D12/556

* cited by examiner

Primary Examiner—Stacia Cadmus

(74) *Attorney, Agent, or Firm*—Richard B. O’Planick

(57) **CLAIM**

The ornamental design for a tire for automobile, as shown and described.

DESCRIPTION

FIG. 1 is a perspective view of a tire for automobile showing our new design, it being understood that the pattern repeats uniformly throughout the circumference of the tread;

FIG. 2 is a front elevational view thereof;

FIG. 3 is a right side elevational view thereof, the opposite side elevational view being identical thereto;

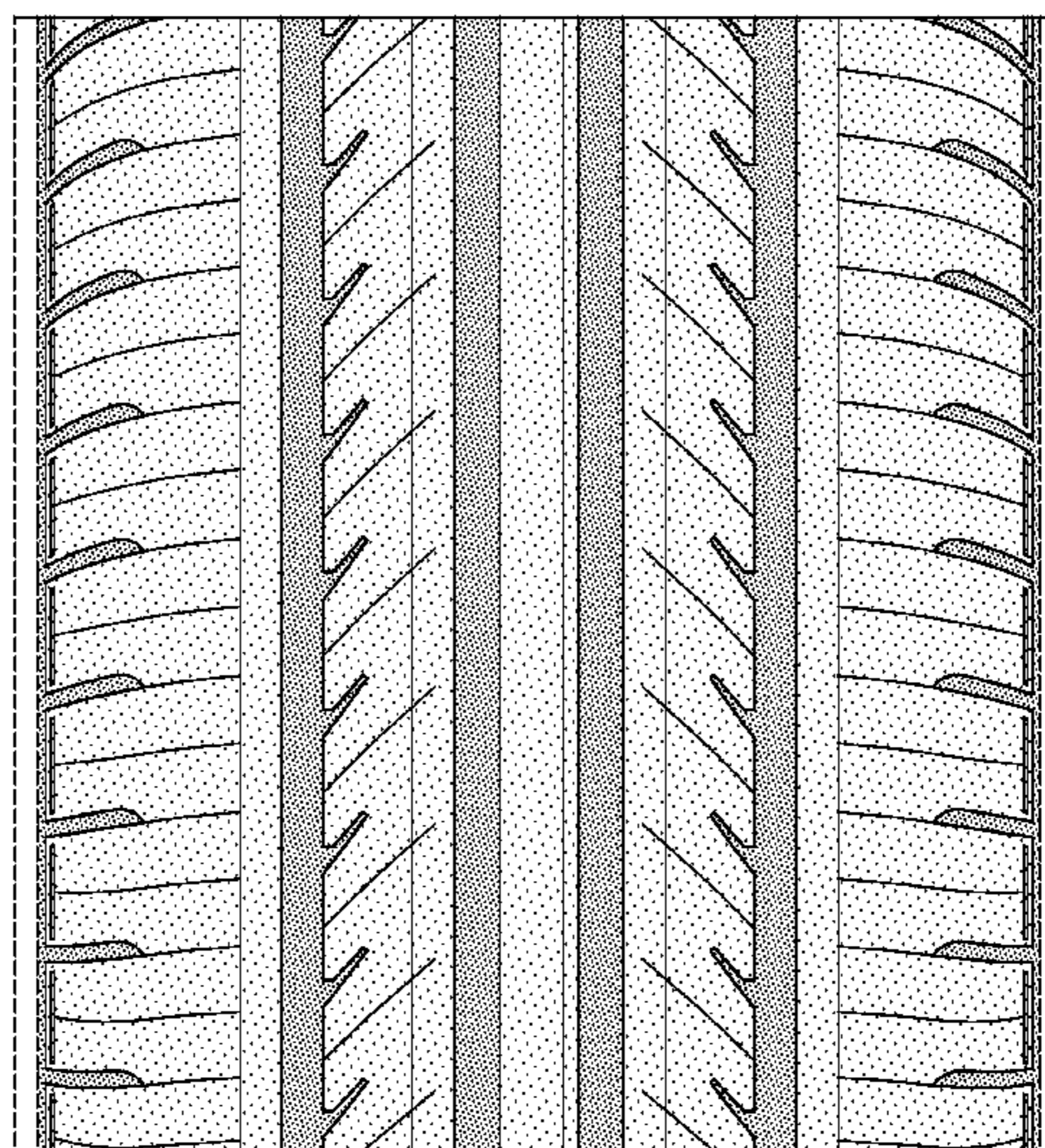
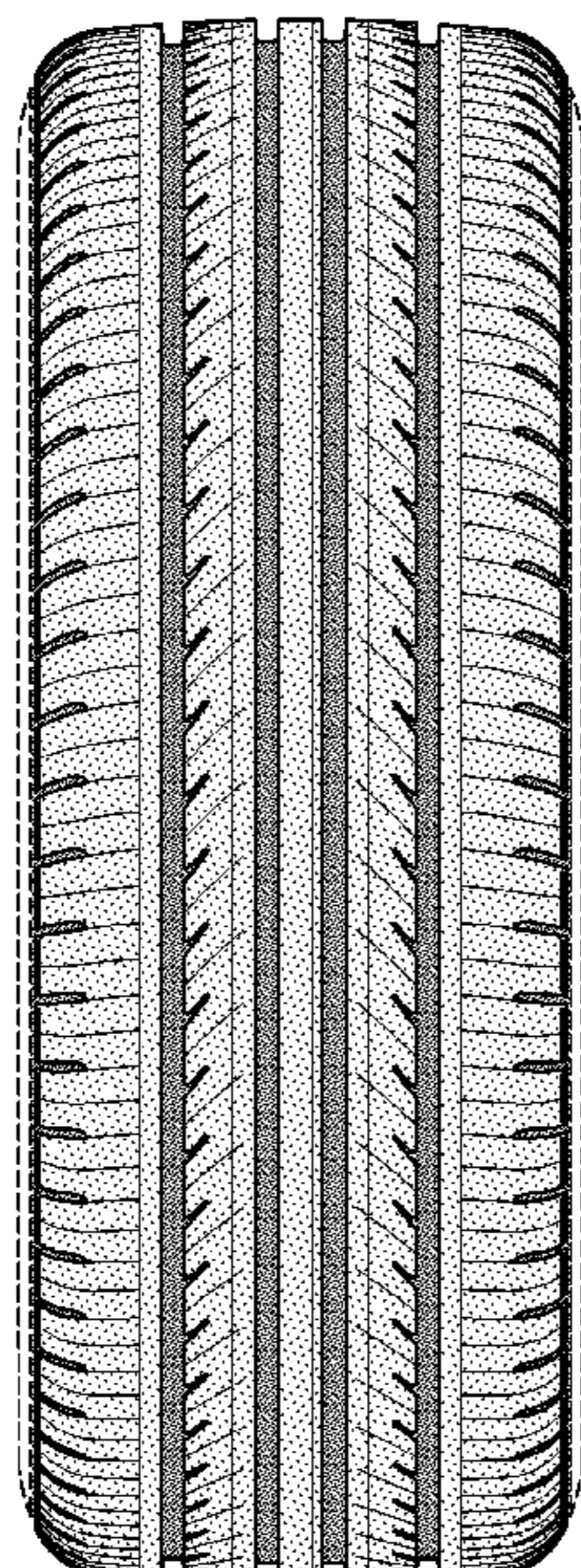
FIG. 4 is an enlarged fragmentary front elevational view thereof;

FIG. 5 is a perspective view of a second embodiment of a tire for automobile showing my new design, it being understood that the pattern repeats uniformly throughout the circumference of the tread and that the opposite side perspective view is identical thereto; and,

FIG. 6 is a front elevational view of a second embodiment, it being understood that an enlarged fragmentary view thereof would be substantially identical to that shown in FIG. 4, with the exception of the inclusion of the sidewall in solid lines.

In the drawings, the broken lines showing of the sidewall, inner bead and the peripheral boundary between the tire tread and the sidewall in FIGS. 1 through 4 depict environmental subject matter and form no part of the claimed design.

1 Claim, 6 Drawing Sheets



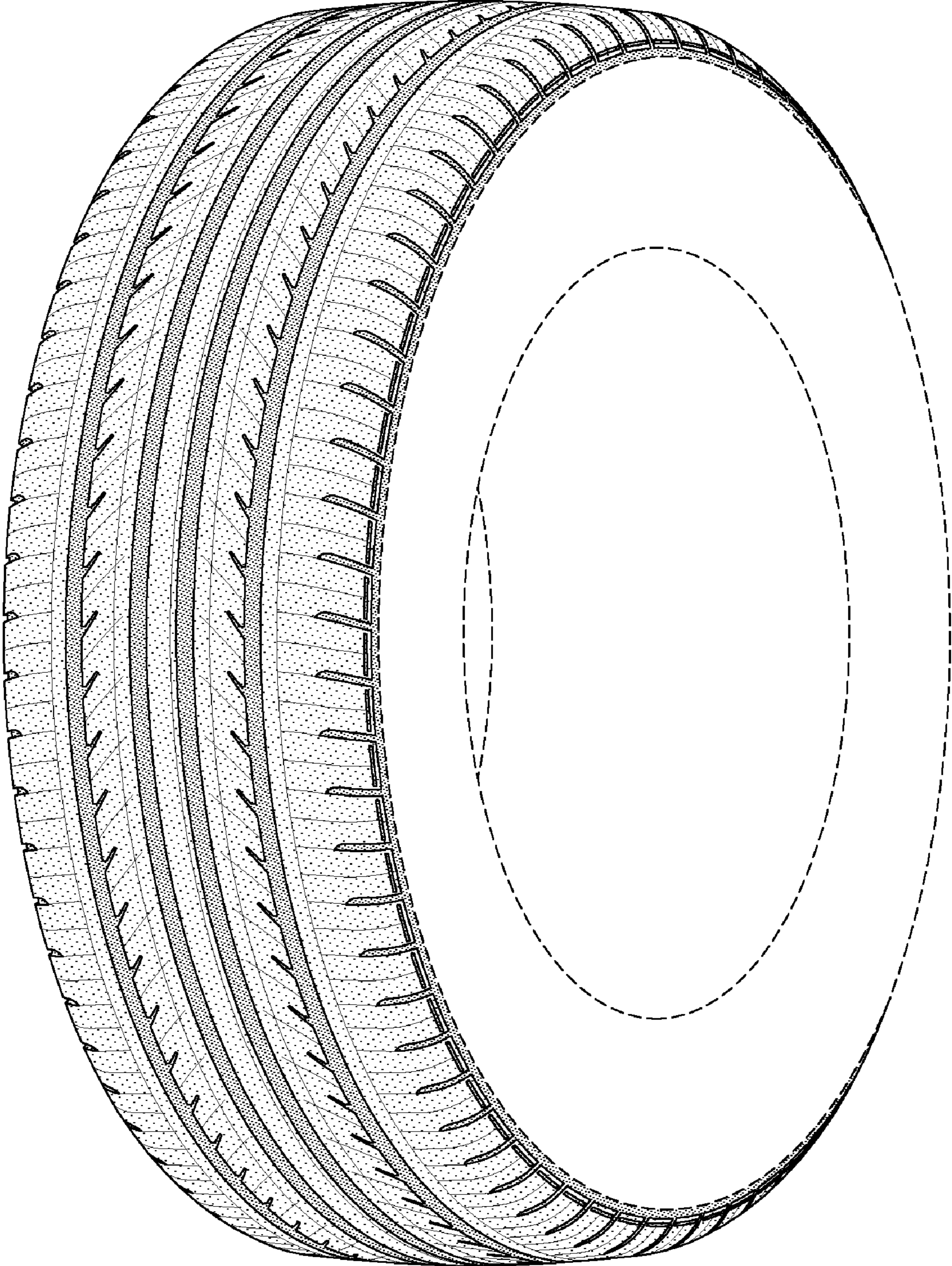


FIG-1

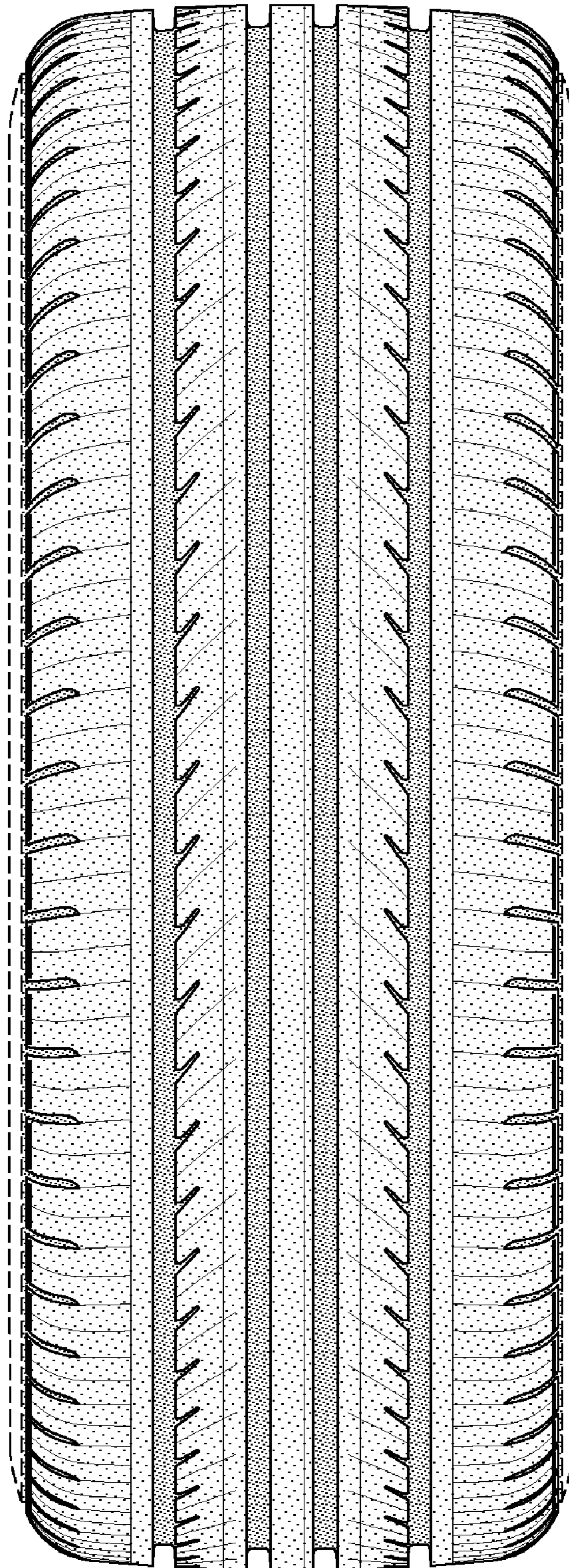


FIG-2

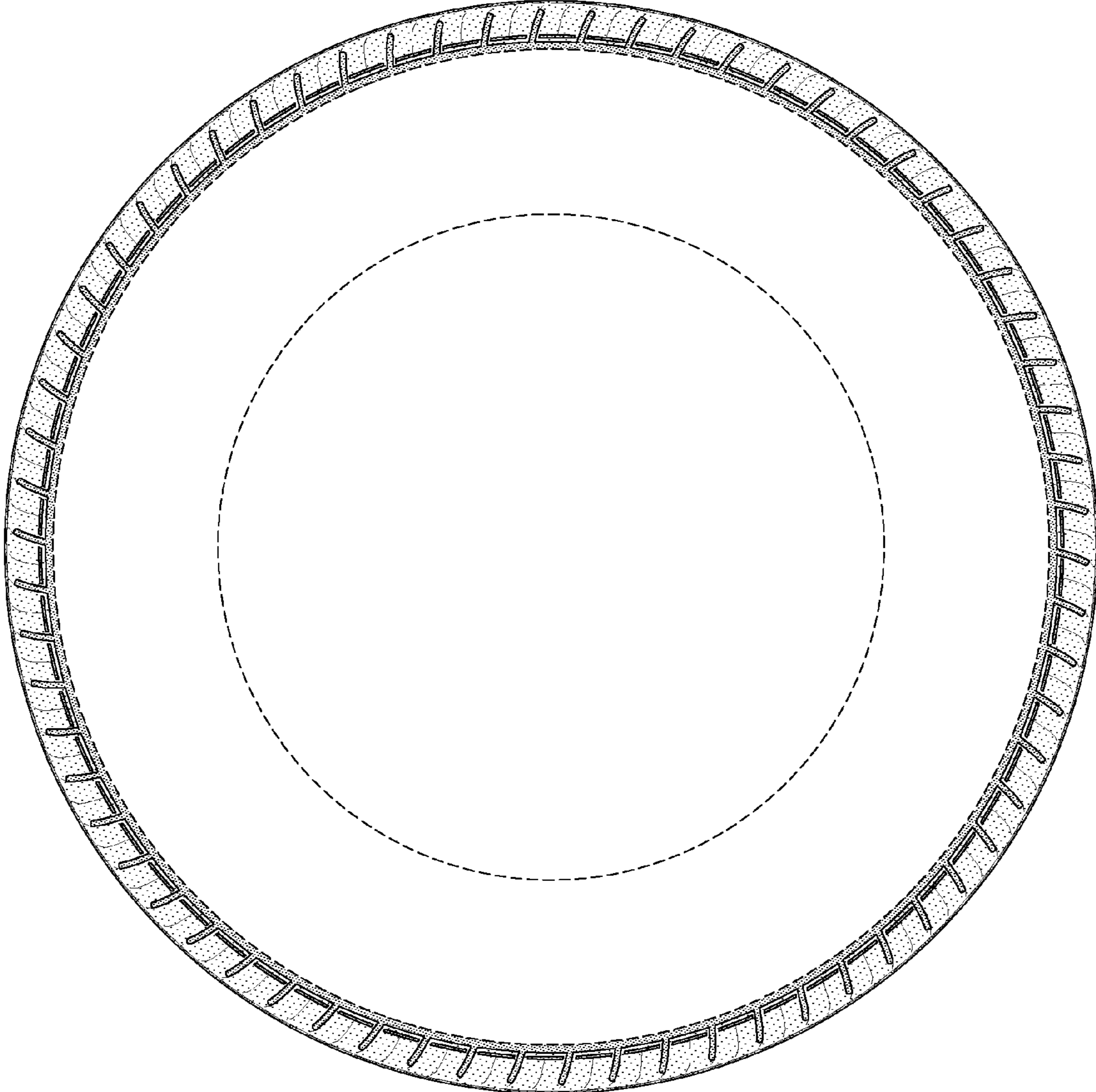


FIG-3

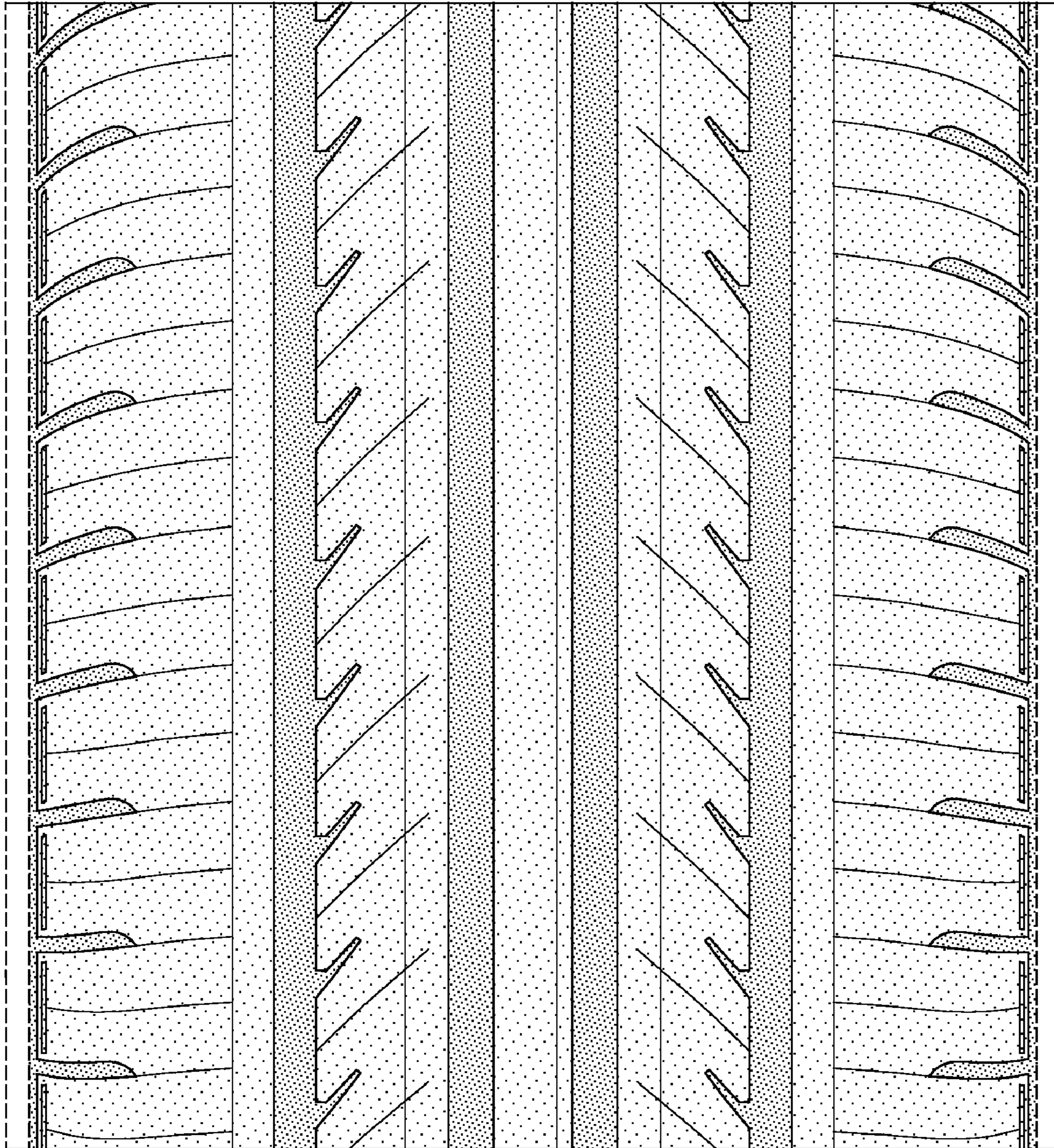


FIG-4

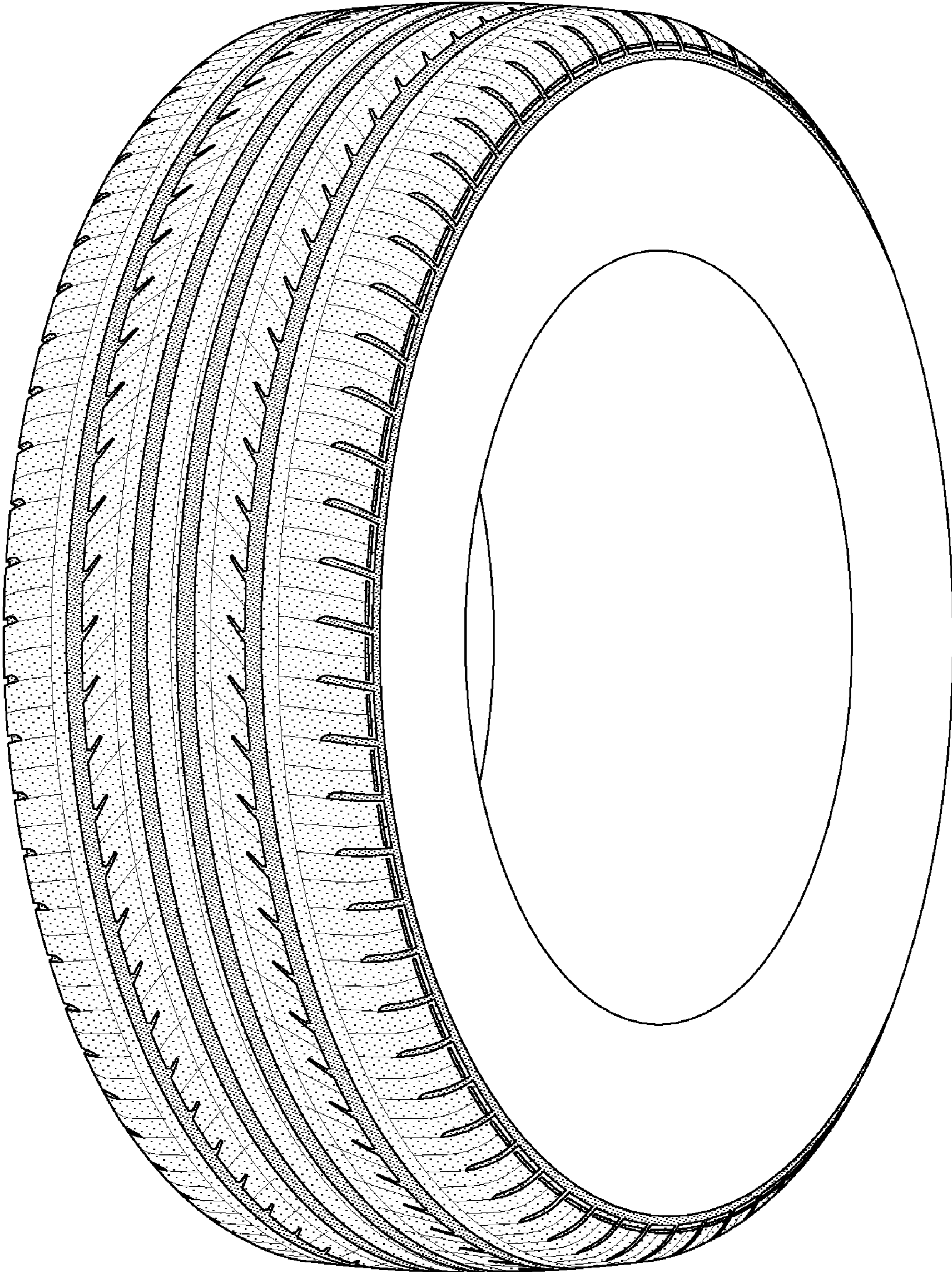


FIG-5

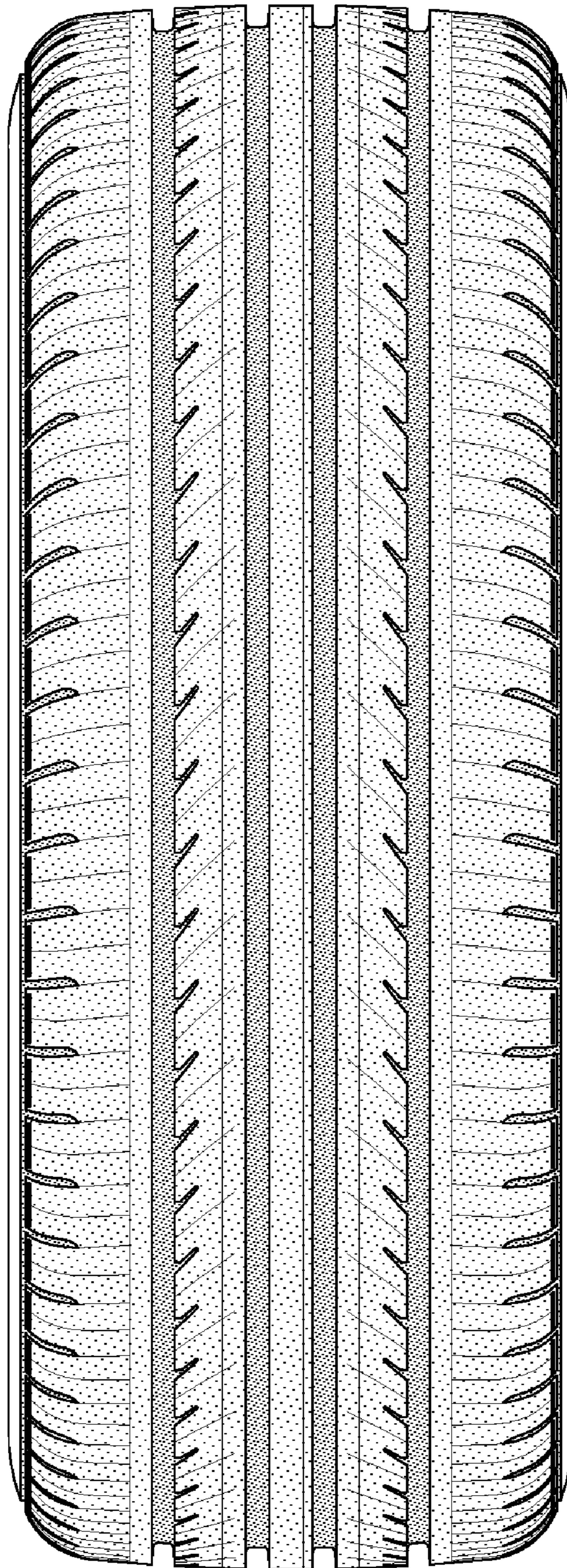


FIG-6