



US00D605998S

(12) **United States Design Patent**
McEwen et al.

(10) **Patent No.:** **US D605,998 S**

(45) **Date of Patent:** **** Dec. 15, 2009**

(54) **HOUSING**

(75) Inventors: **James Iain McEwen**, Tauranga (NZ);
Keith Ross Mabey, Tauranga (NZ);
Graham Bruce Young, Tauranga (NZ)

(73) Assignee: **Trimax Holdings Limited**, Tauranga
(NL)

(**) Term: **14 Years**

(21) Appl. No.: **29/326,026**

(22) Filed: **Oct. 10, 2008**

(51) **LOC (9) Cl.** **12-16**

(52) **U.S. Cl.** **D12/207**

(58) **Field of Classification Search** D15/5,
D15/143; D12/207; 384/489, 537, 412,
384/428; 301/105.1; 280/433

See application file for complete search history.

(56) **References Cited**

U.S. PATENT DOCUMENTS

D28,400 S *	3/1898	Pancost	D12/207
D274,716 S *	7/1984	Mahnig	D12/207
D330,883 S *	11/1992	Harr	D12/207
D359,021 S *	6/1995	Snook	D12/207
5,423,614 A *	6/1995	Wunner et al.	384/428
D364,841 S *	12/1995	Brannan et al.	D12/207
D367,838 S *	3/1996	Snook	D12/207
D371,138 S *	6/1996	Waskiewicz	D15/5

D371,139 S *	6/1996	Waskiewicz	D15/5
D420,688 S *	2/2000	Ichihara	D15/143
6,283,635 B1 *	9/2001	Downey et al.	384/489

* cited by examiner

Primary Examiner—Cathron C Brooks

Assistant Examiner—Austin Murphy

(74) *Attorney, Agent, or Firm*—Young & Thompson

(57) **CLAIM**

The ornamental design for a housing, as shown.

DESCRIPTION

FIG. 1 is a top, front and side perspective view of a housing showing our new design;

FIG. 2 is a top, rear and side perspective view thereof;

FIG. 3 is a view similar to FIG. 2 but from the side opposite that shown in FIG. 2;

FIG. 4 is a front elevational view thereof;

FIG. 5 is a side elevational view thereof from the left of FIG. 4;

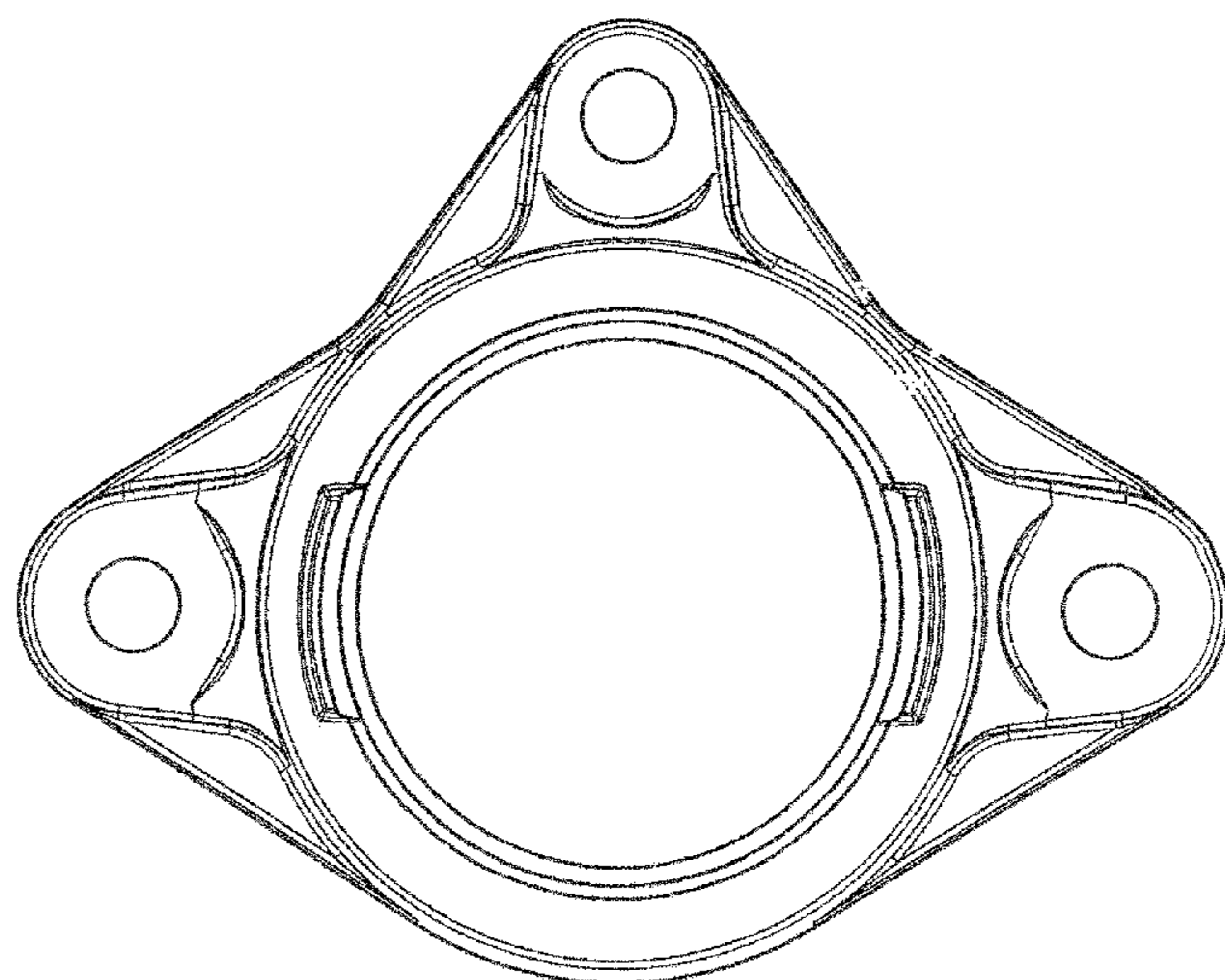
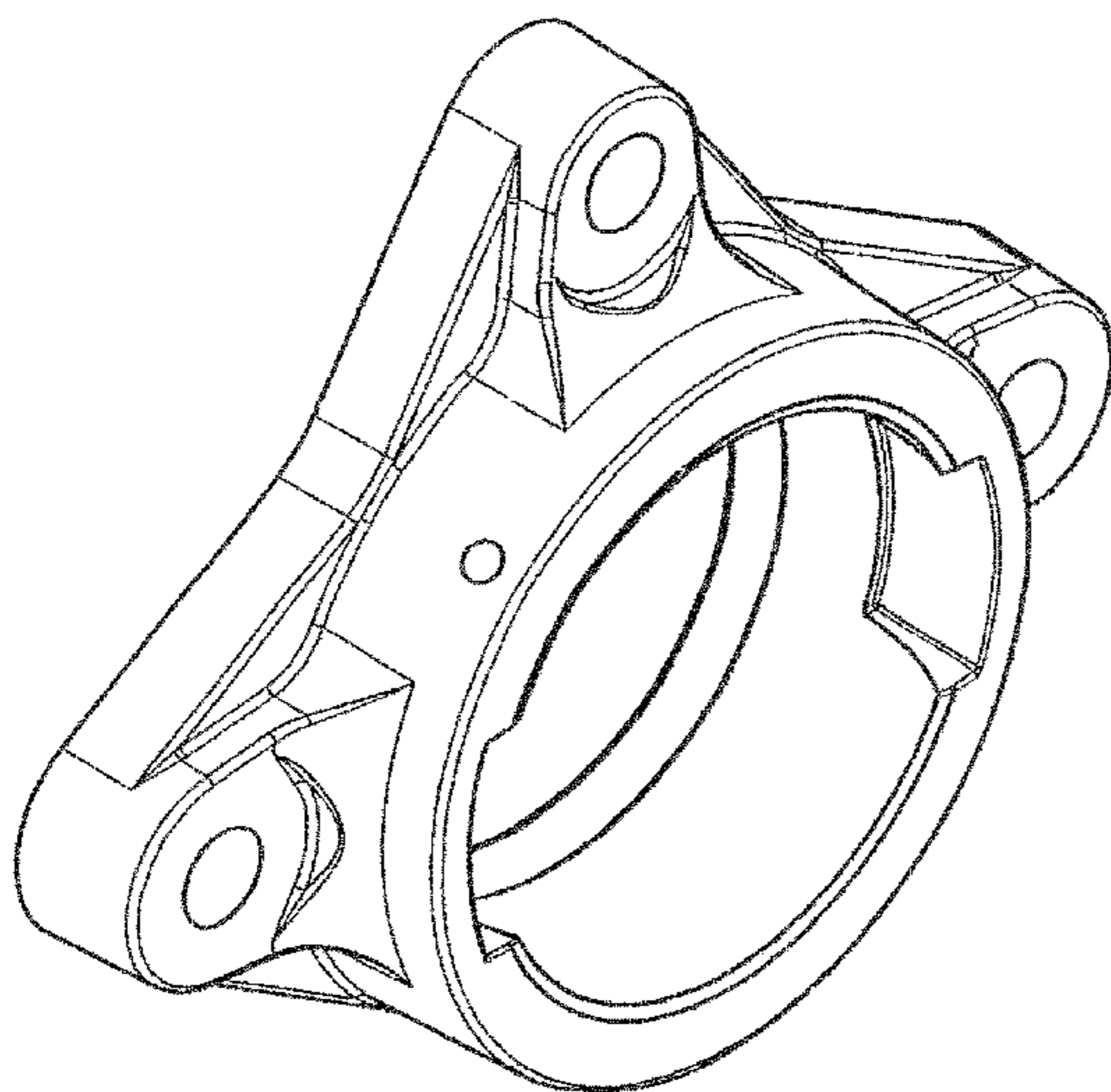
FIG. 6 is a side elevational view thereof from the right of FIG. 4;

FIG. 7 is a rear elevational view thereof;

FIG. 8 is a top plan view thereof; and,

FIG. 9 is a bottom plan view thereof.

1 Claim, 9 Drawing Sheets



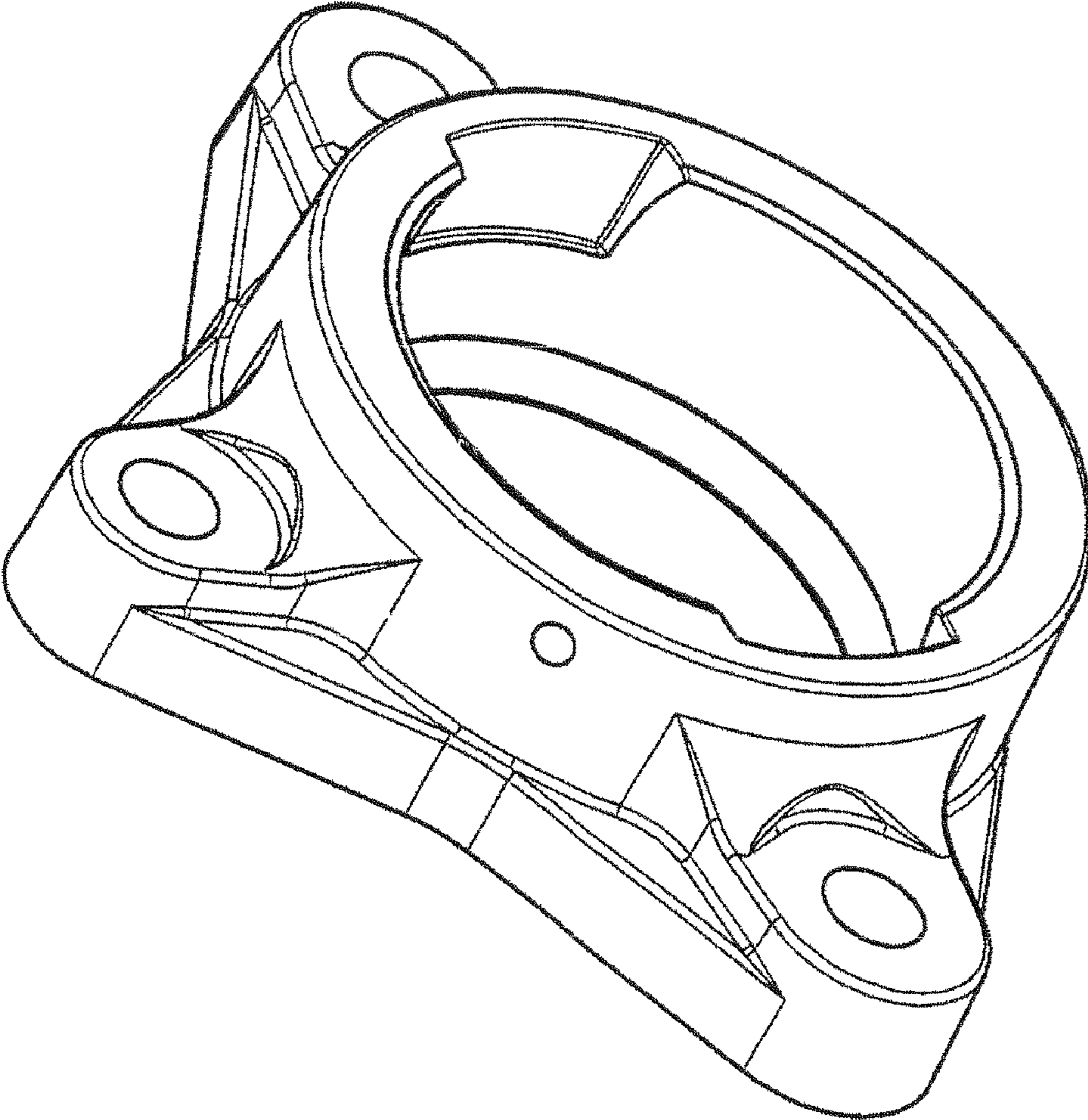


FIG. 1

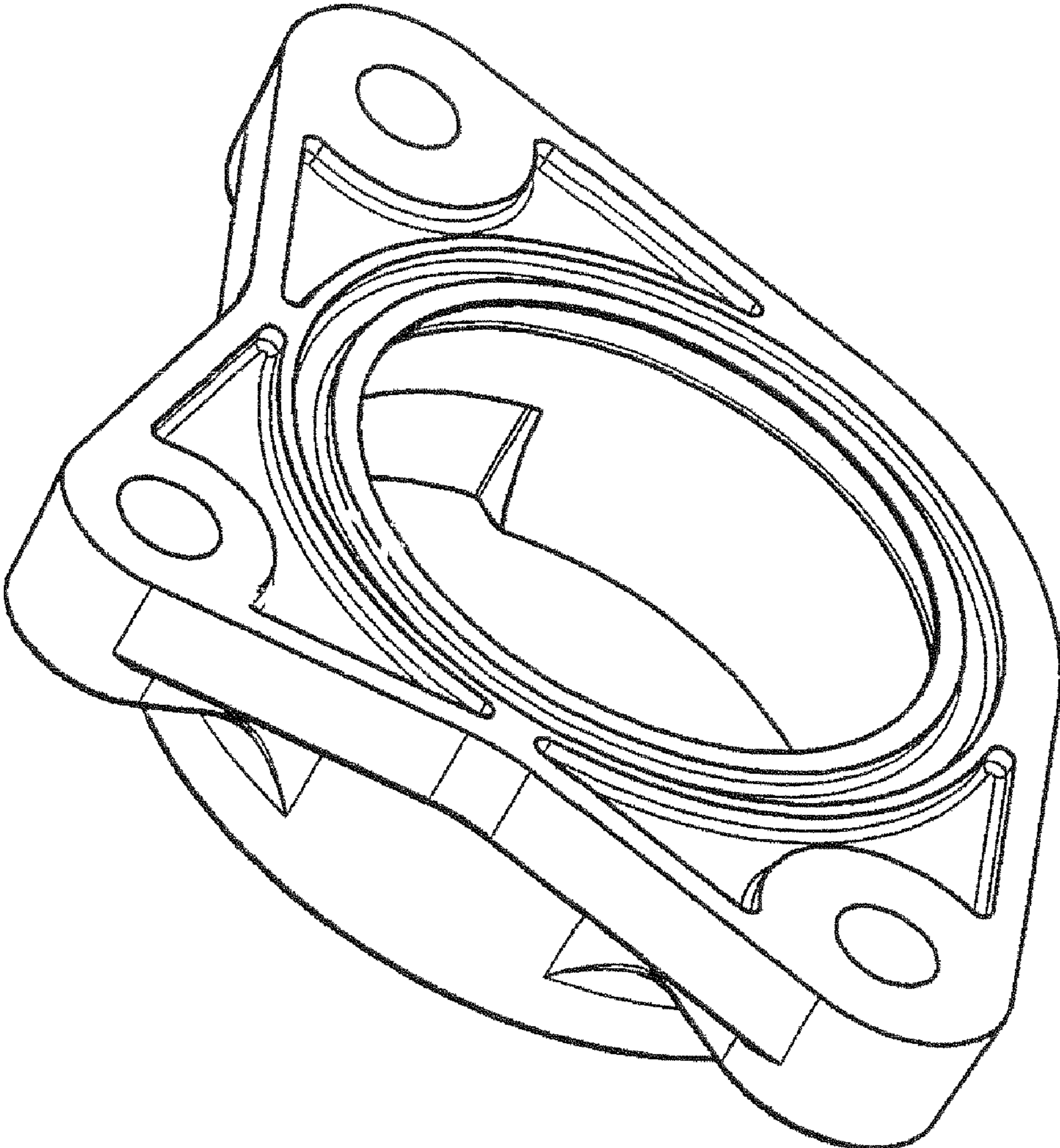


FIG. 2

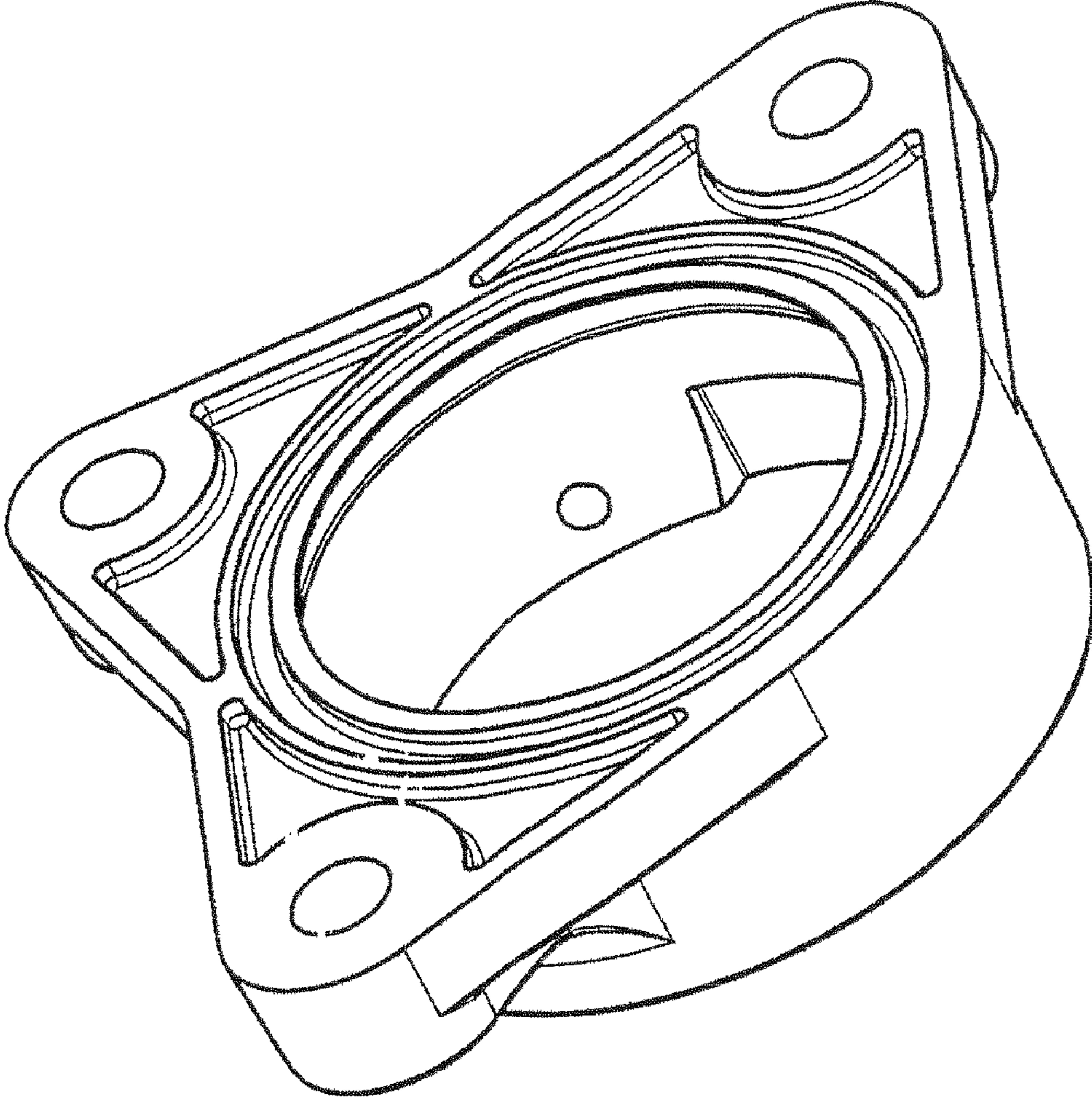


FIG. 3

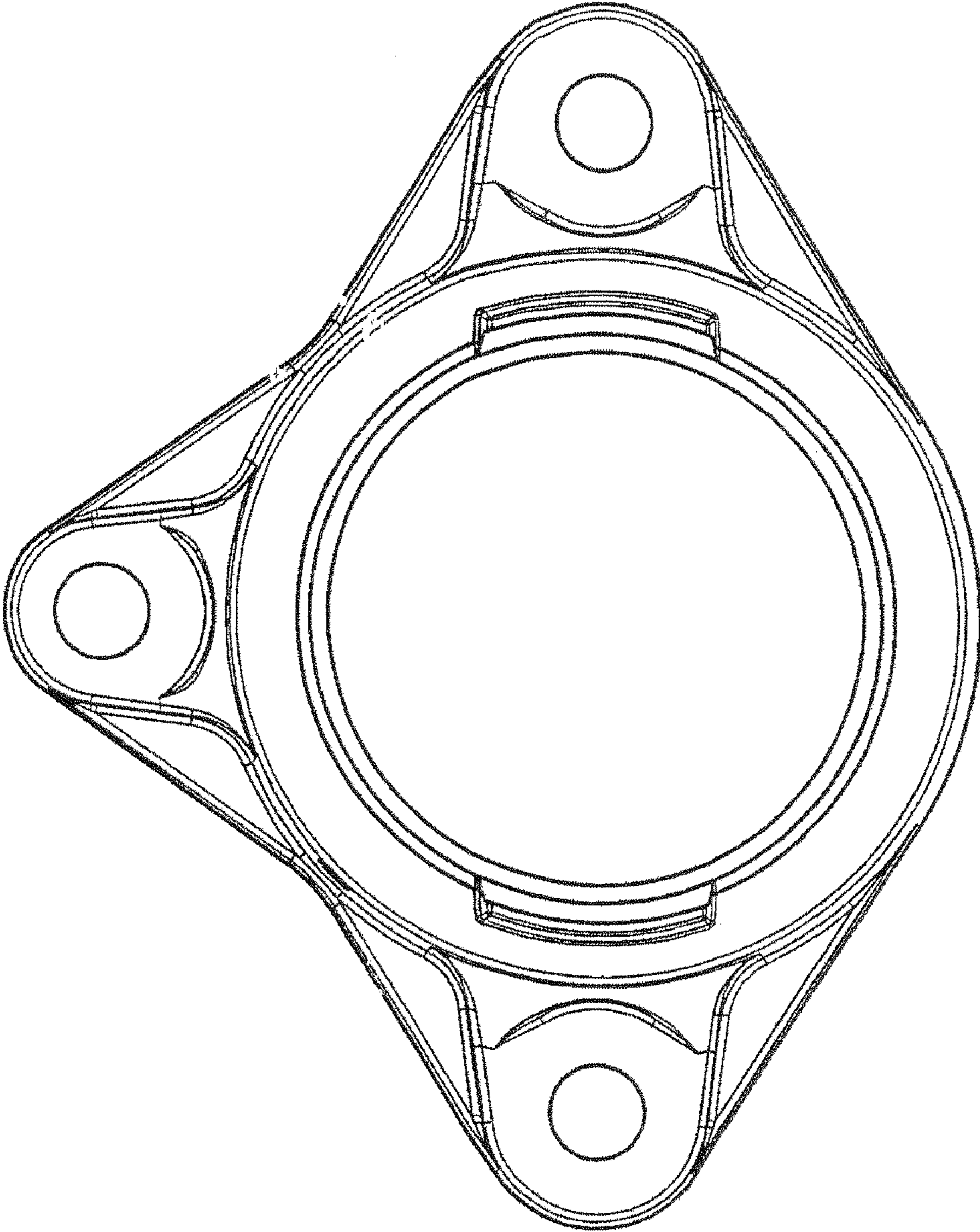


FIG. 4

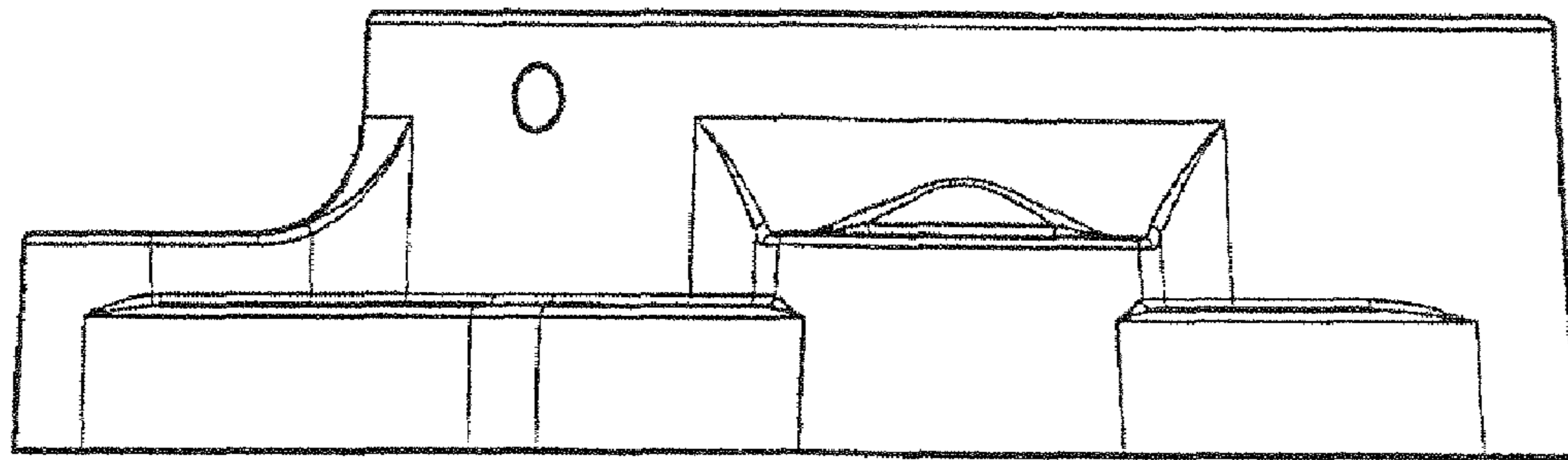


FIG. 5

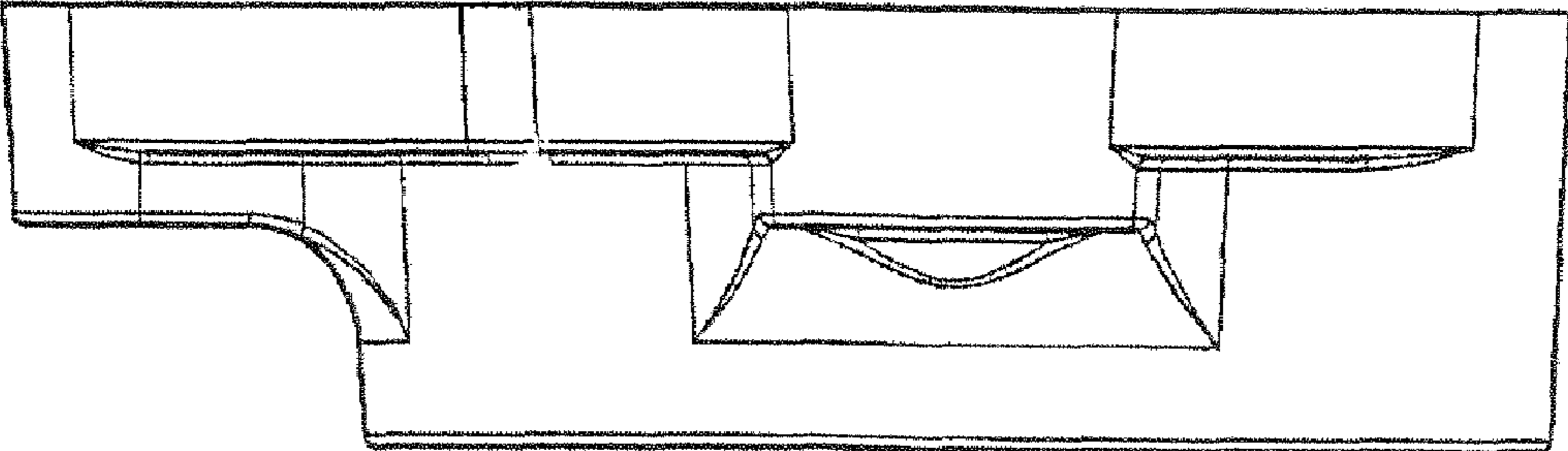


FIG. 6

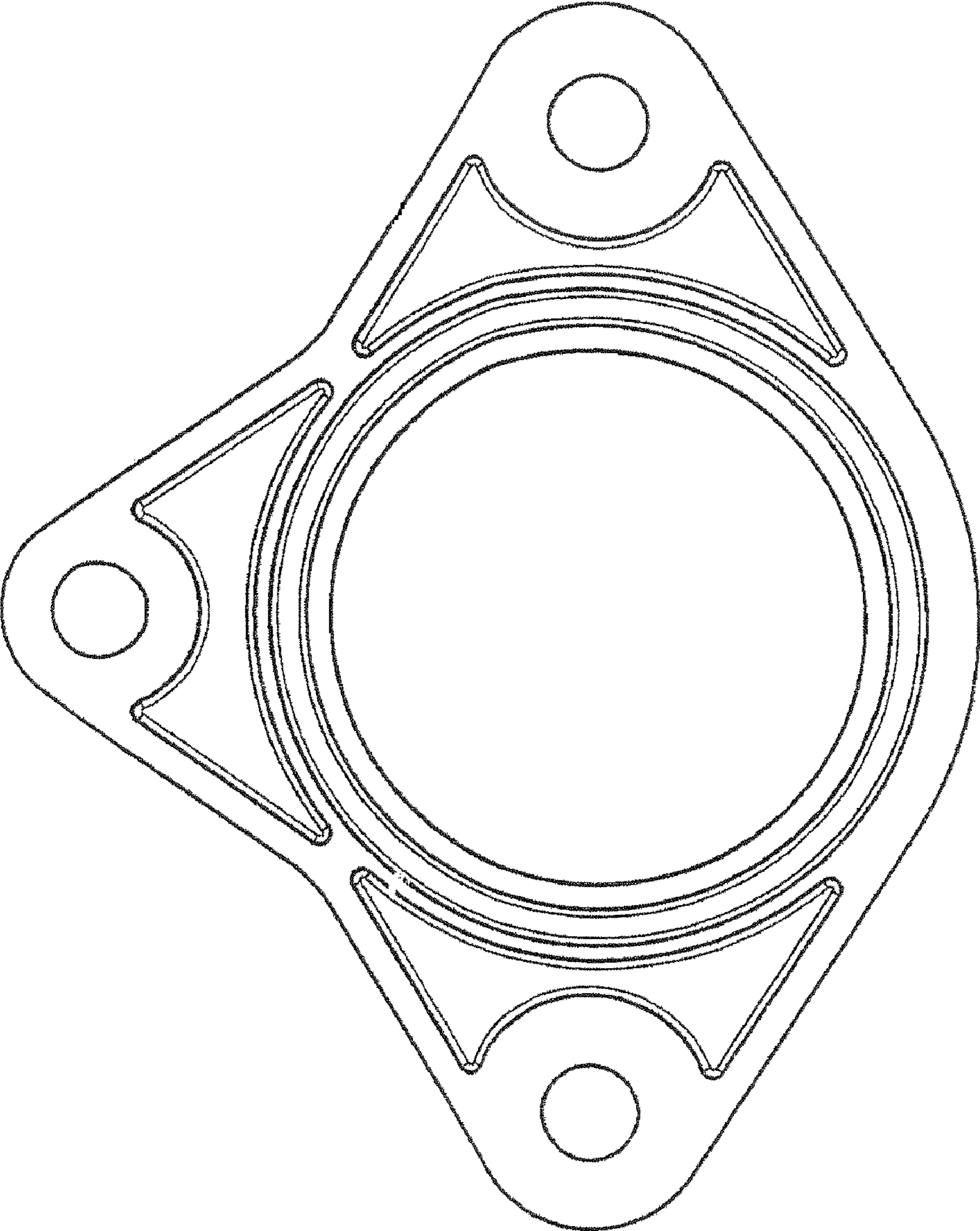


FIG. 7

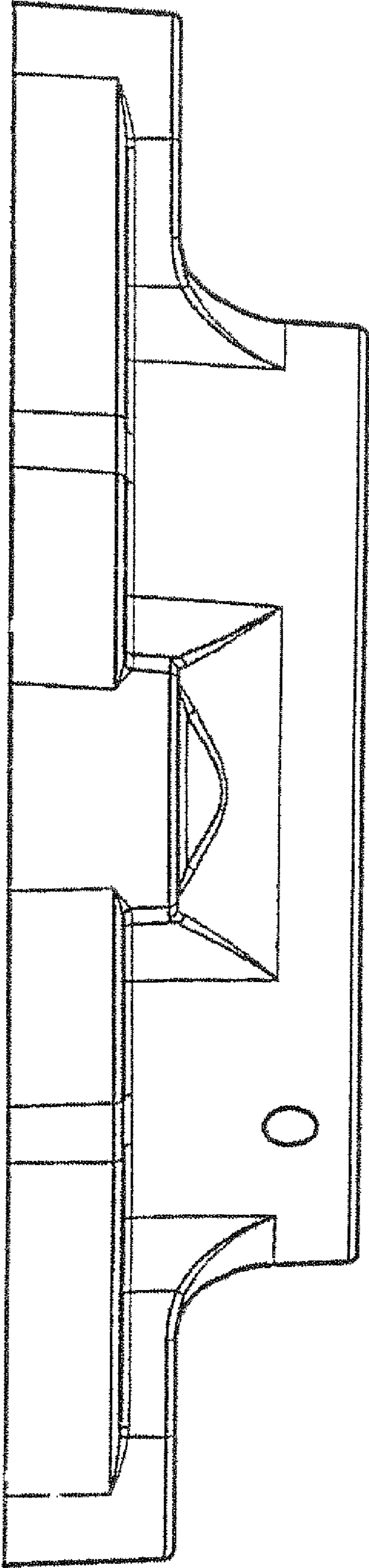


FIG. 8

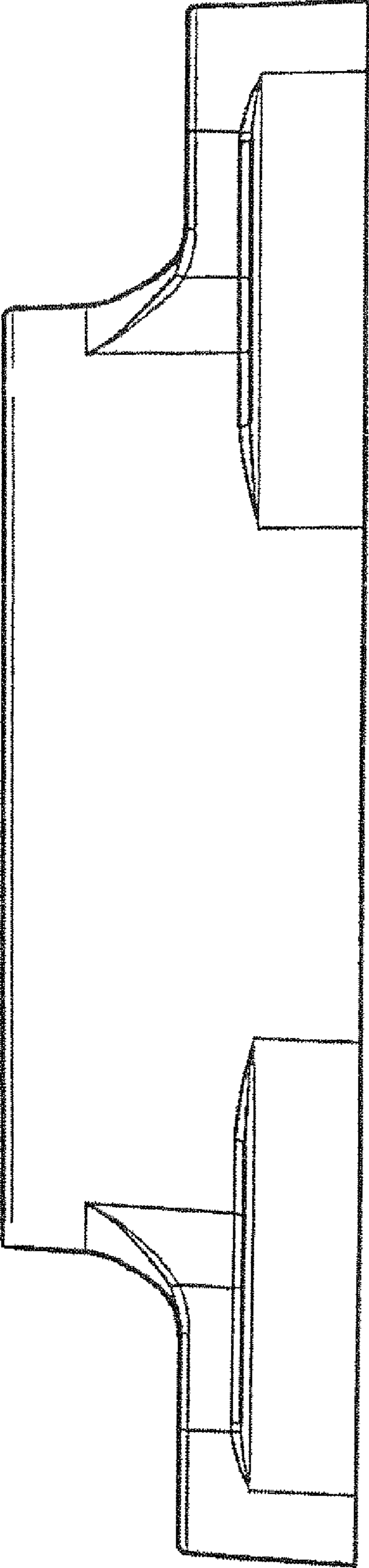


FIG. 9