



US00D605994S

(12) **United States Design Patent**
Ohashi et al.

(10) **Patent No.:** **US D605,994 S**

(45) **Date of Patent:** **** Dec. 15, 2009**

(54) **LENS COVER OF A MIRROR FOR A VEHICLE**

D299,020 S * 12/1988 Saito D12/187
D484,837 S * 1/2004 Liu D12/187

(75) Inventors: **Hayato Ohashi**, Wako (JP); **Kenichiro Kuboshima**, Wako (JP)

* cited by examiner

(73) Assignee: **Honda Motor Co., Ltd.**, Tokyo (JP)

Primary Examiner—Caron Veynar

Assistant Examiner—Katrina A Kile

(**) Term: **14 Years**

(74) *Attorney, Agent, or Firm*—Birch, Stewart, Kolasch & Birch, LLP

(21) Appl. No.: **29/300,229**

(22) Filed: **Feb. 29, 2008**

(57) **CLAIM**

(30) **Foreign Application Priority Data**

What is claimed is; The ornamental design for lens cover of a mirror for a vehicle, as shown and described.

Sep. 3, 2007 (JP) 2007-023929

(51) **LOC (9) Cl.** **12-16**

DESCRIPTION

(52) **U.S. Cl.** **D12/187**

(58) **Field of Classification Search** D12/187-189,
D12/96; D6/300, 309; 359/838, 841, 843,
359/844, 868, 871, 872, 604, 881, 514, 866;
248/479-483, 475.1

FIG. 1 is a front elevation view showing our new design;
FIG. 2 is a top plan view thereof;
FIG. 3 is a bottom plan view thereof; and,
FIG. 4 is a left side elevation view thereof.

See application file for complete search history.

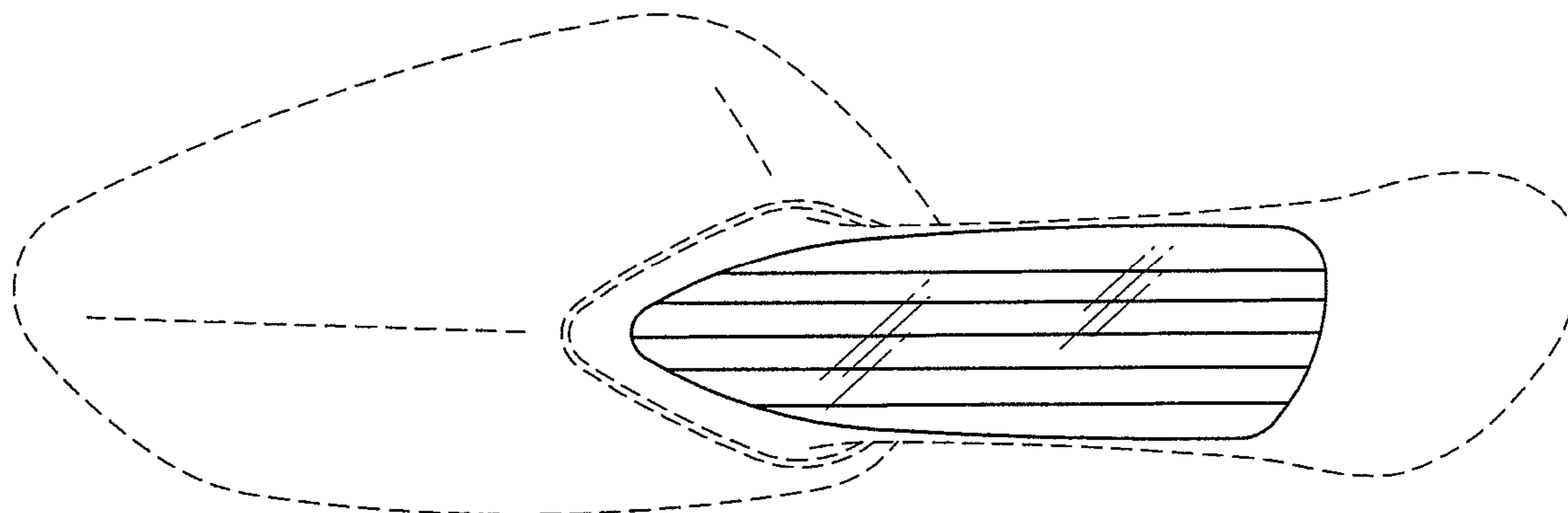
In the drawings, the broken lines show a housing for a mirror for a vehicle and form not part of the claimed design.

(56) **References Cited**

U.S. PATENT DOCUMENTS

710,662 A * 10/1902 Block 62/138

1 Claim, 2 Drawing Sheets



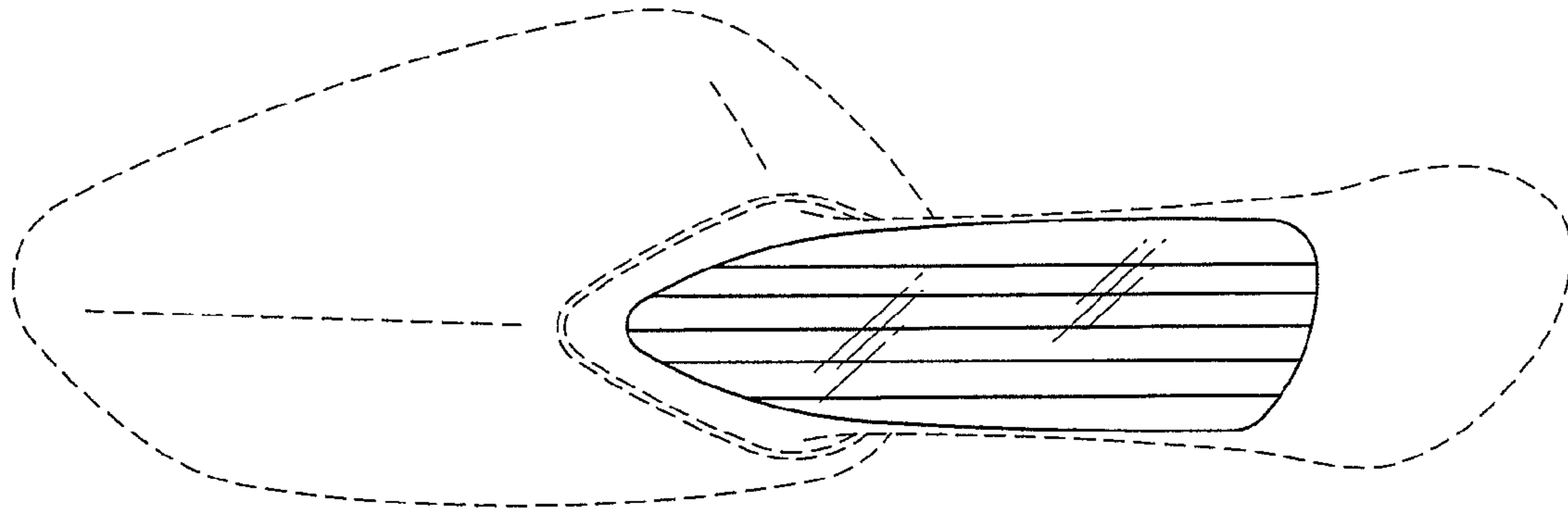


FIG. 1

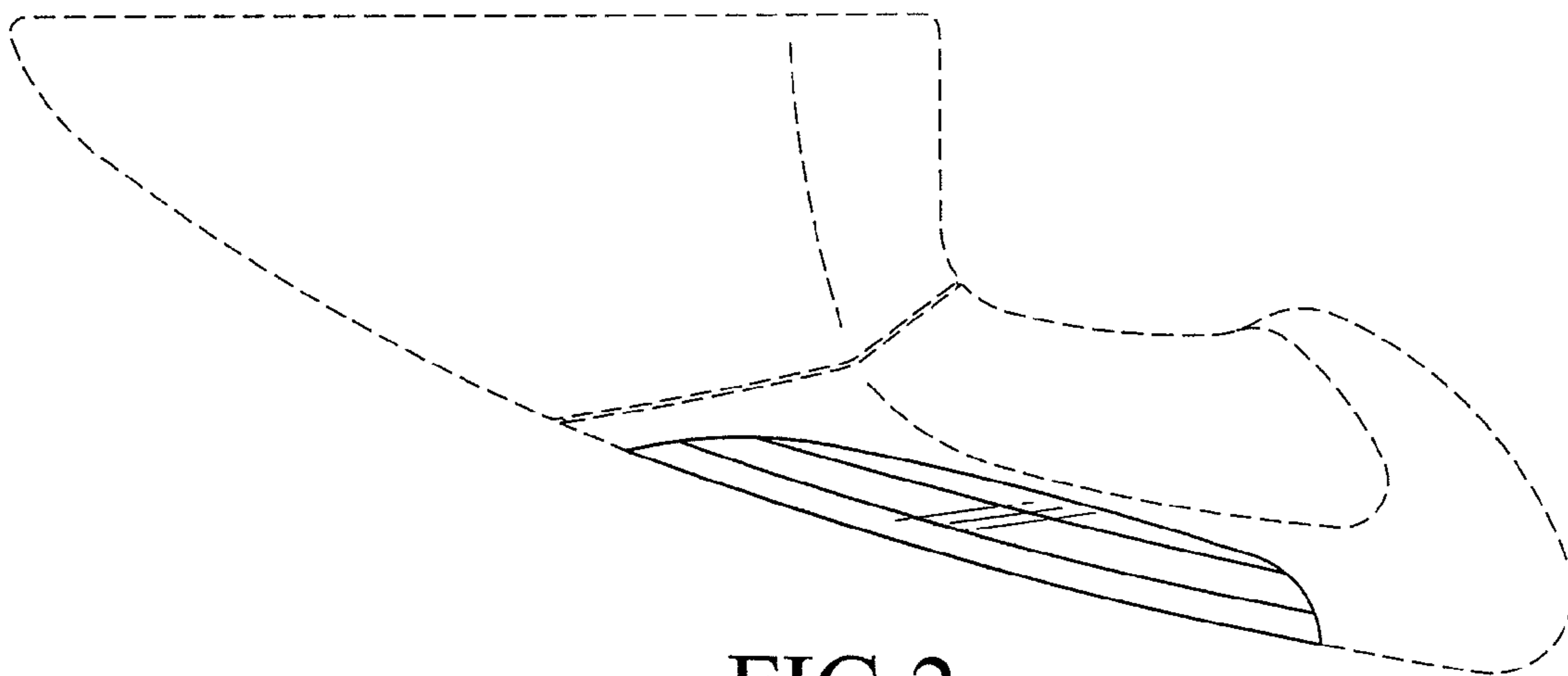


FIG. 2

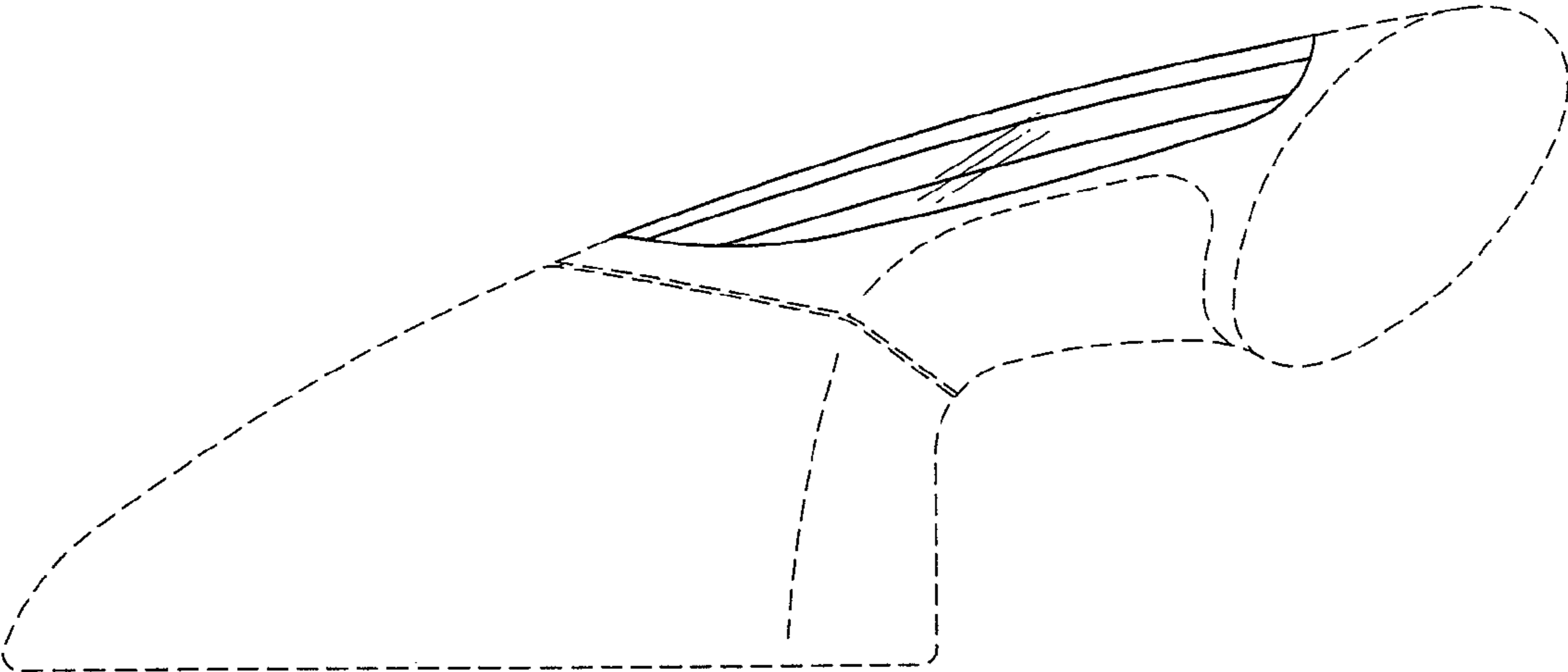


FIG.3

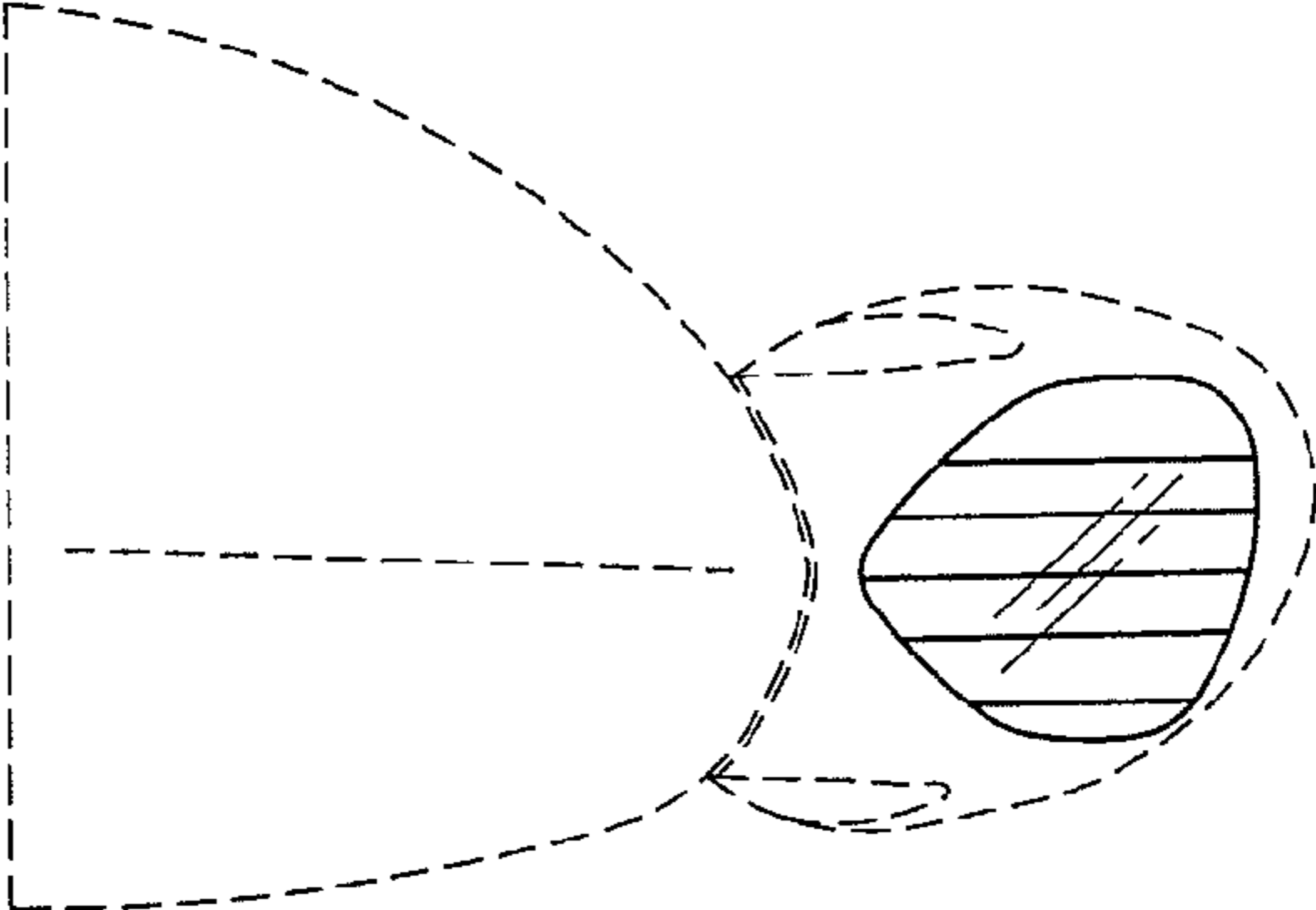


FIG.4