



US00D605990S

(12) **United States Design Patent**  
**Okamoto**

(10) **Patent No.:** **US D605,990 S**

(45) **Date of Patent:** **\*\* Dec. 15, 2009**

(54) **RADIATOR GRILLE FOR VEHICLE**

D570,259 S \* 6/2008 Choi ..... D12/163  
D576,086 S \* 9/2008 Ishizuka ..... D12/163

(75) Inventor: **Mai Okamoto**, Sagamihara (JP)

\* cited by examiner

(73) Assignee: **Nissan Motor Co., Ltd.**, Yokohama-shi (JP)

*Primary Examiner*—Melody N Brown  
(74) *Attorney, Agent, or Firm*—Foley & Lardner LLP

(\*\*) Term: **14 Years**

(21) Appl. No.: **29/332,231**

(22) Filed: **Feb. 11, 2009**

(57) **CLAIM**

The ornamental design for a radiator grille for vehicle, as shown and described.

(30) **Foreign Application Priority Data**

**DESCRIPTION**

Sep. 1, 2008 (JP) ..... 2008-022408

FIG. 1 is a perspective view of a radiator grille for vehicle;

(51) **LOC (9) Cl.** ..... **12-16**

FIG. 2 is a front view thereof;

(52) **U.S. Cl.** ..... **D12/163**

FIG. 3 is a rear view thereof;

(58) **Field of Classification Search** ..... D12/163,  
D12/196, 171, 169, 216, 90-92, 86; 180/68.1,  
180/68.6; 296/193.11

FIG. 4 is a top plan view thereof;

FIG. 5 is a bottom plan view thereof;

See application file for complete search history.

FIG. 6 is a left side view thereof;

FIG. 7 is a right side view thereof;

(56) **References Cited**

FIG. 8 is an enlarged sectional view thereof showing the sectioned surface of the portion taken along line 8—8; and,

**U.S. PATENT DOCUMENTS**

FIG. 9 is an enlarged sectional view thereof showing the sectioned surface of the portion taken along line 9—9.

D392,982 S \* 3/1998 Smith ..... D12/163  
D497,334 S \* 10/2004 Elwell et al. .... D12/163  
D561,658 S \* 2/2008 Thomas et al. .... D12/163  
D570,258 S \* 6/2008 Smith et al. .... D12/163

**1 Claim, 3 Drawing Sheets**

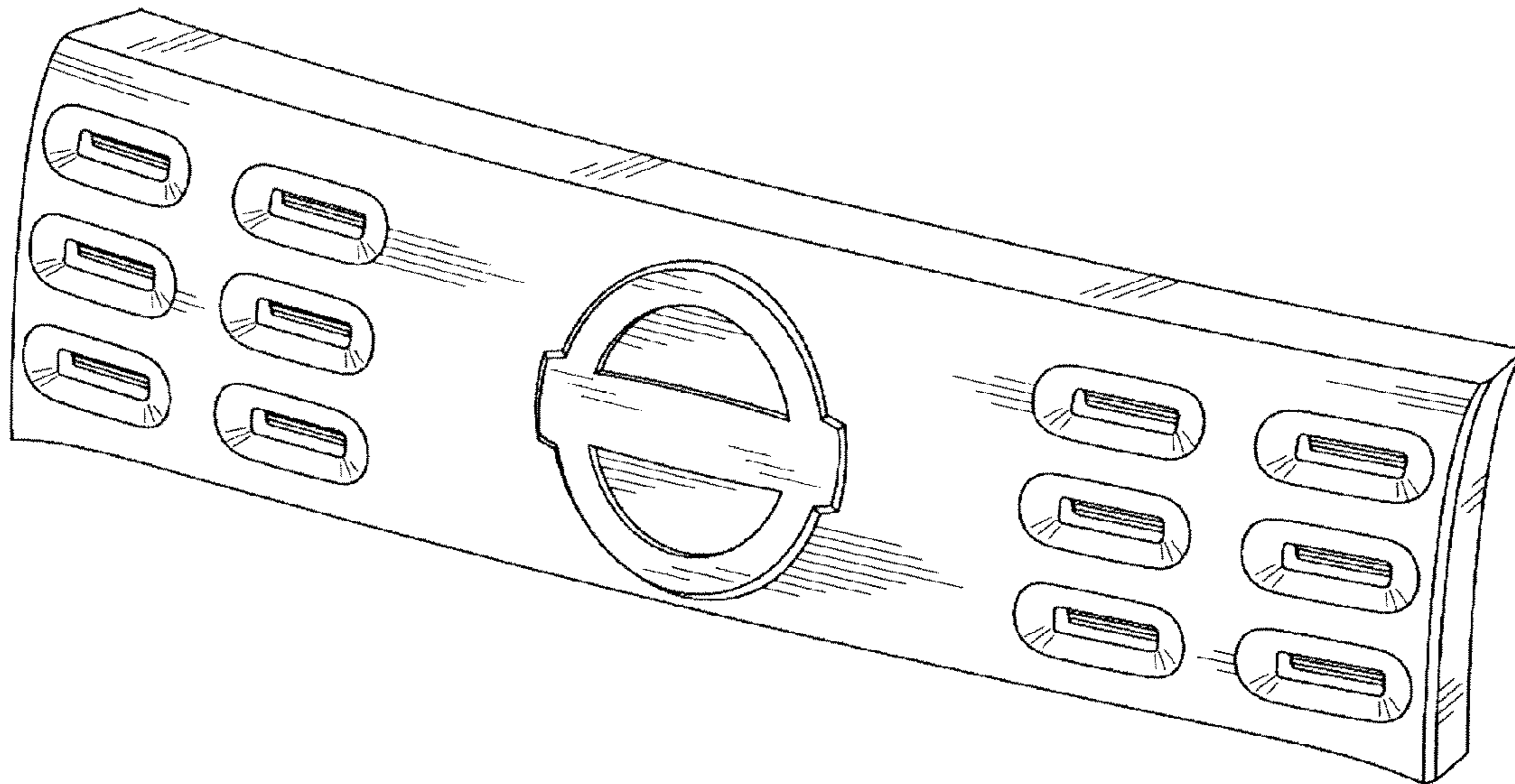


Fig.1

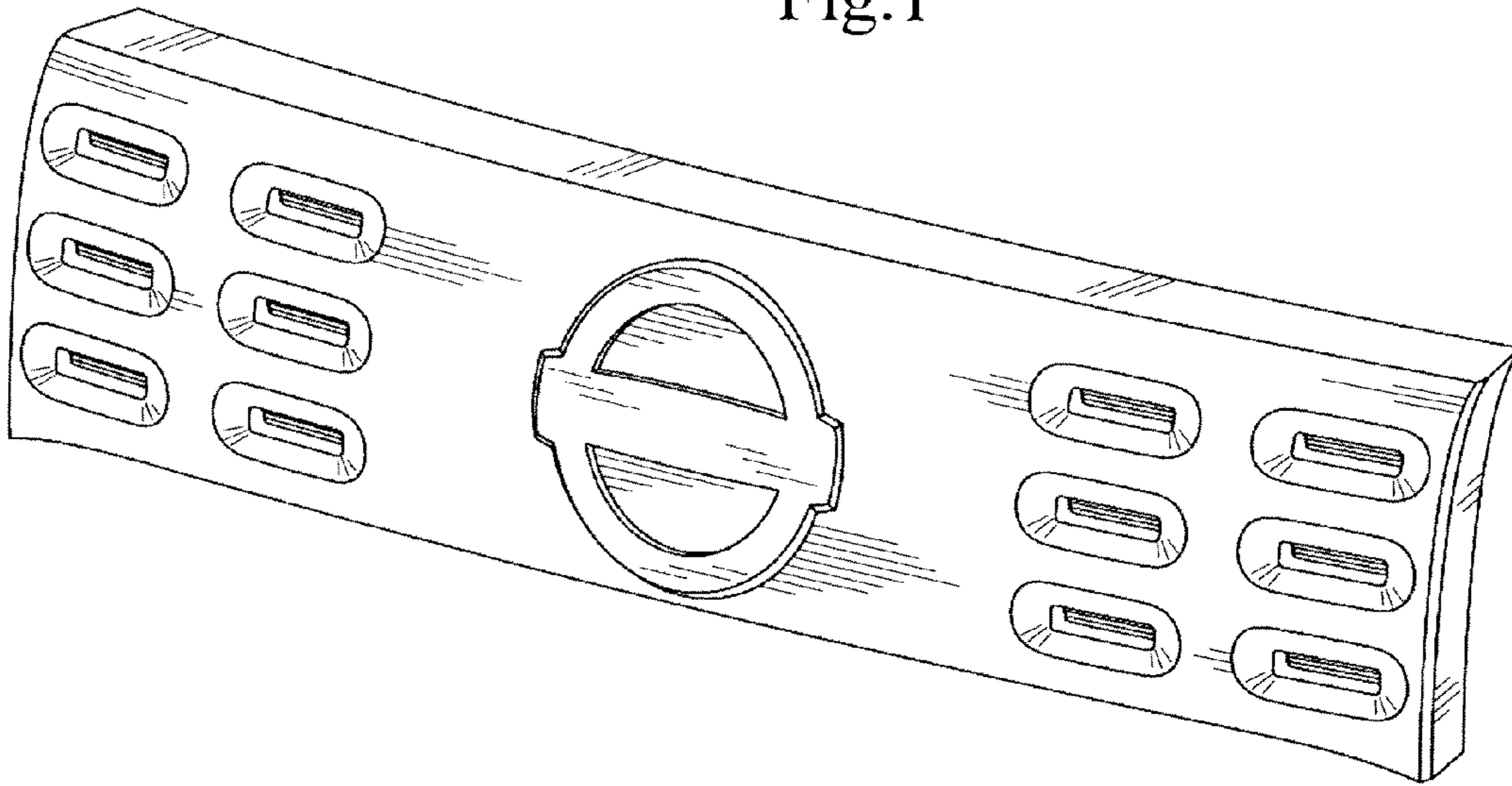


Fig.2

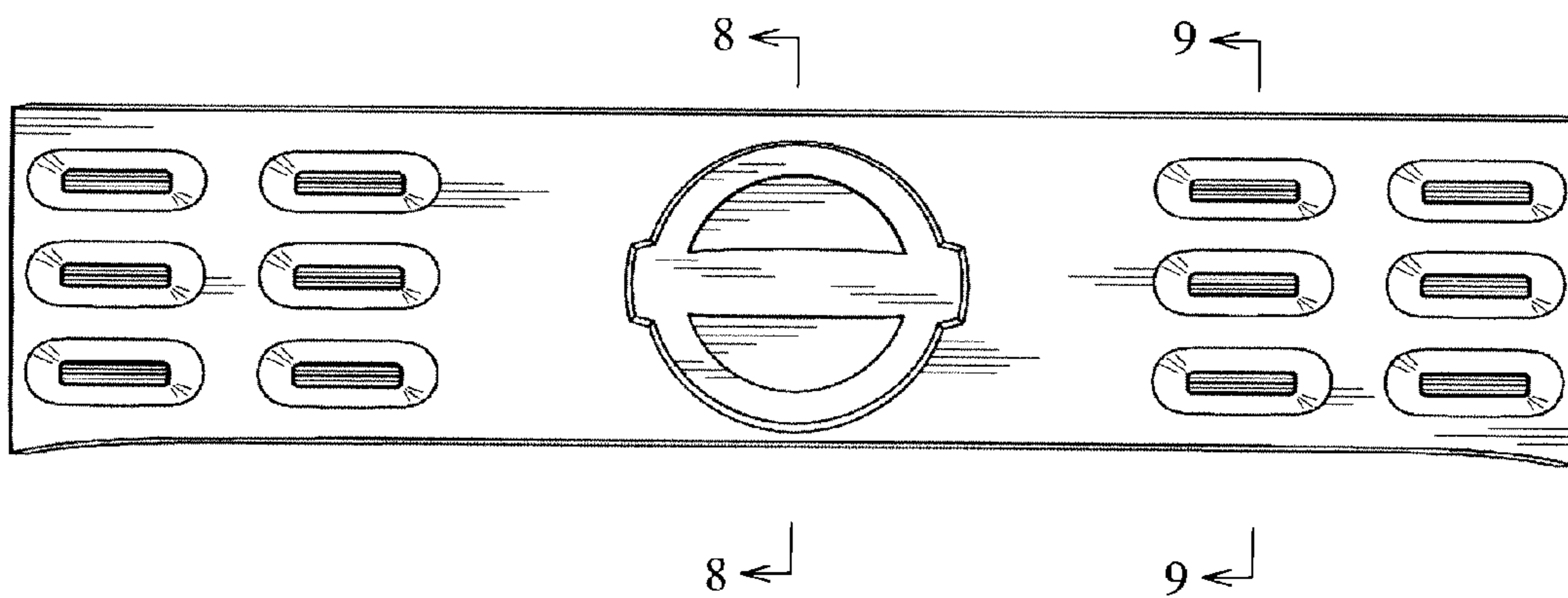


Fig.3

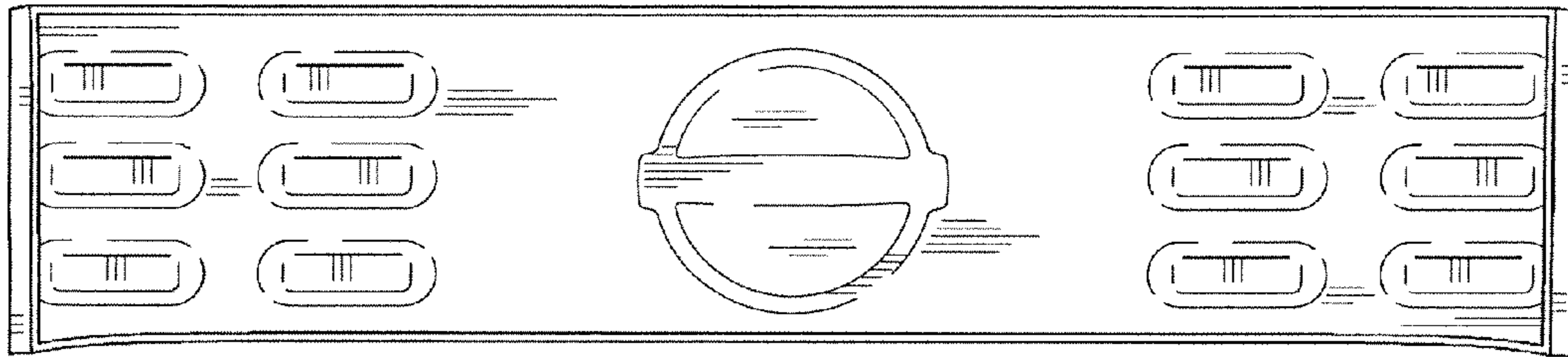


Fig.4

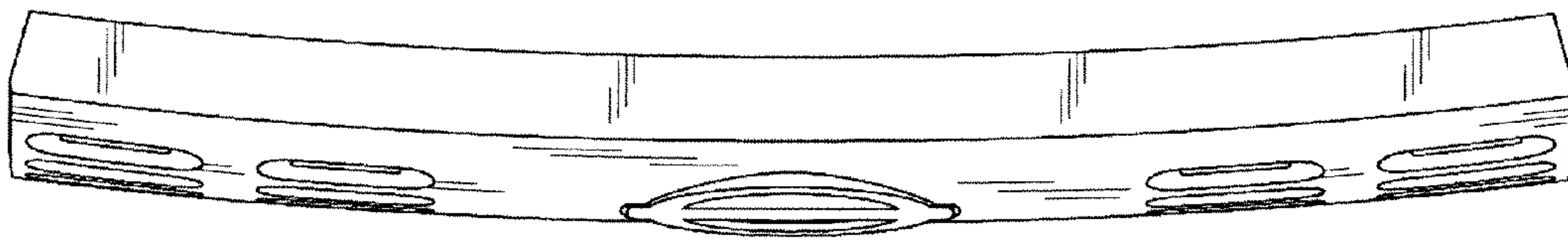


Fig.5

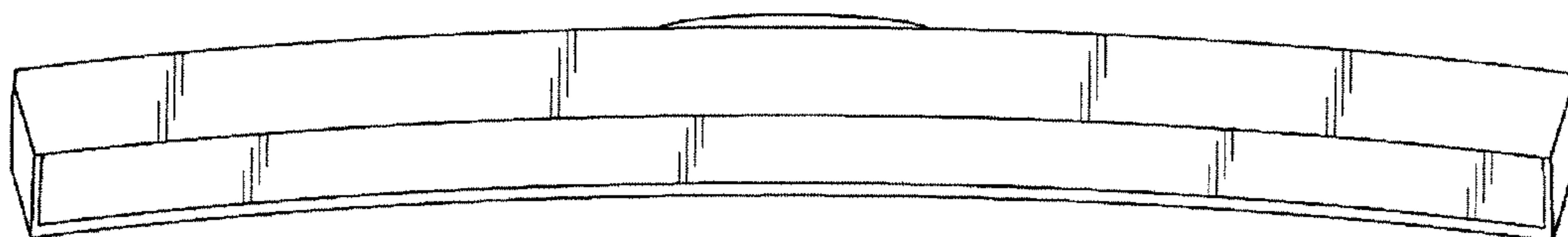


Fig.6

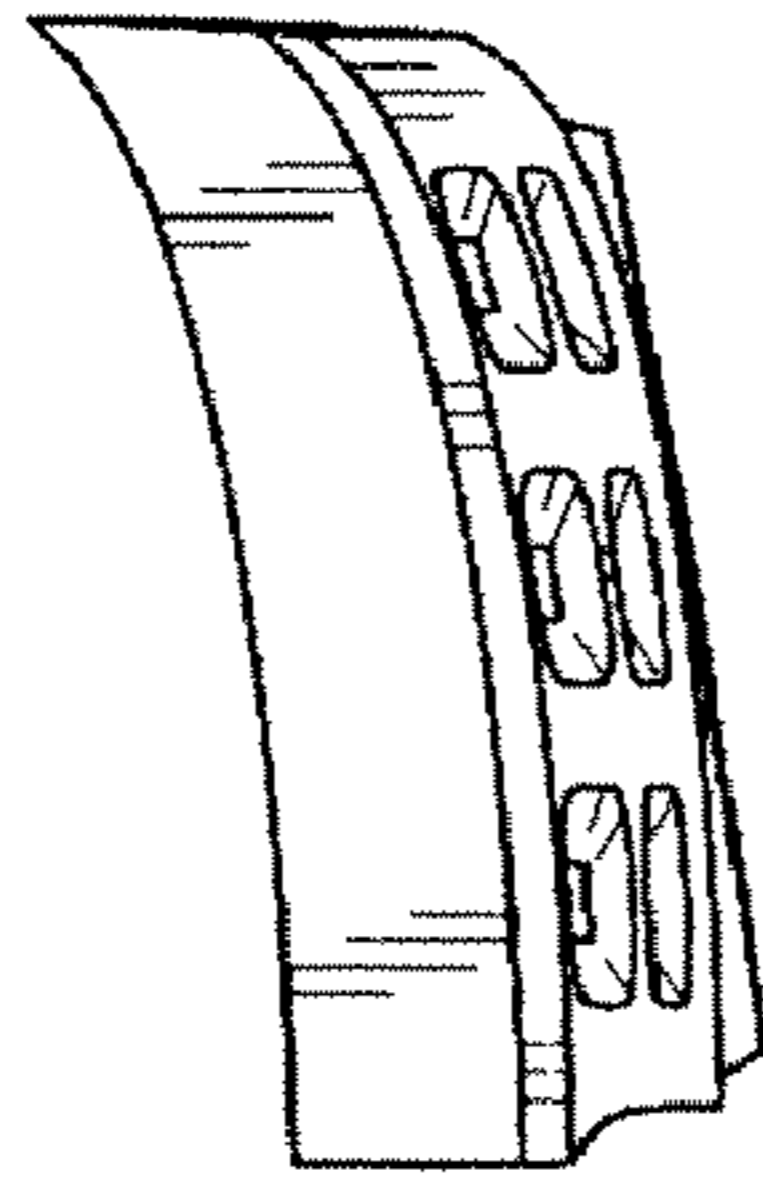


Fig.7

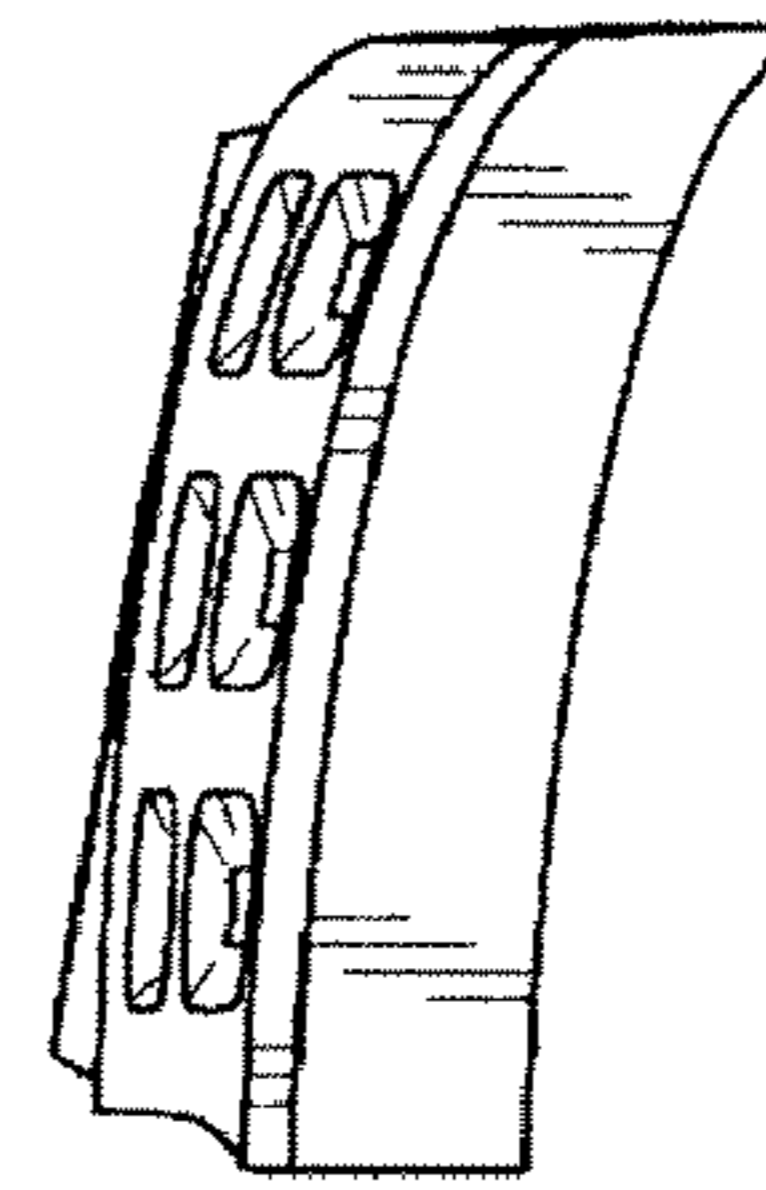


Fig.8

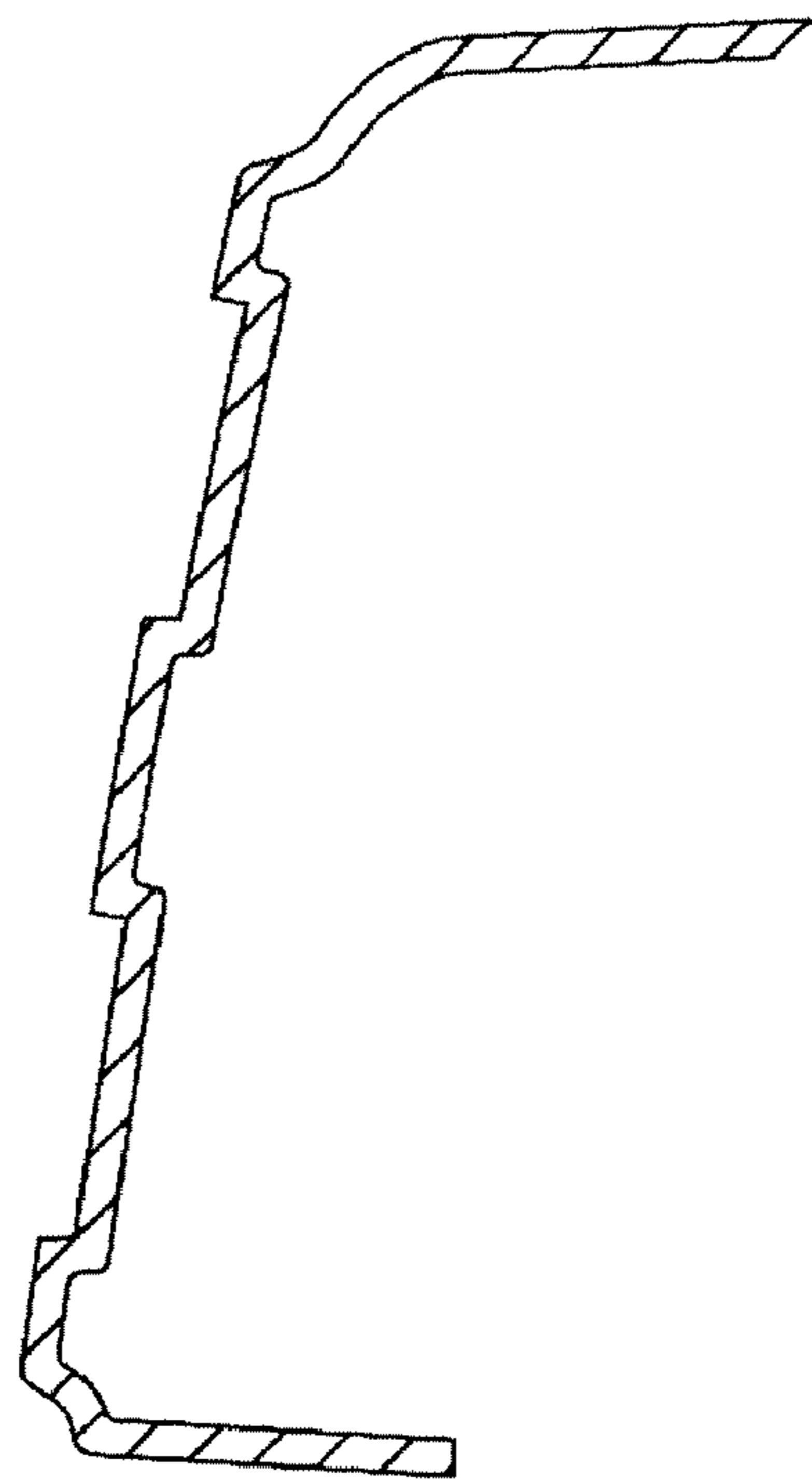


Fig.9

