



US00D605983S

(12) **United States Design Patent**  
**Schepers-Smulders**

(10) **Patent No.:** **US D605,983 S**

(45) **Date of Patent:** **\*\* Dec. 15, 2009**

(54) **ACCESSORY SEAT FOR BUGGY**

(76) Inventor: **Hanneke Trude Marieke Schepers-Smulders**, van Gortellaan 2, Abcoude, 1391 AT (NL)

(\*\*) Term: **14 Years**

(21) Appl. No.: **29/324,081**

(22) Filed: **Sep. 5, 2008**

(51) **LOC (9) Cl.** ..... **12-12**

(52) **U.S. Cl.** ..... **D12/133**

(58) **Field of Classification Search** ..... D12/128-133;  
296/65.03, 65.04; 224/409; 297/DIG. 4;  
280/62, 647-650, 29, 200, 47.38, 250.1,  
280/259, 642, 658; D34/24, 26

See application file for complete search history.

(56) **References Cited**

**U.S. PATENT DOCUMENTS**

- 3,374,000 A \* 3/1968 Wetzel ..... 280/8
- D364,021 S \* 11/1995 Shih-Hsien ..... D34/26
- D426,177 S \* 6/2000 Lundh ..... D12/133
- D426,793 S \* 6/2000 Lundh ..... D12/133
- D428,367 S \* 7/2000 Lundh ..... D12/133
- D459,852 S \* 7/2002 Och ..... D34/26
- 7,213,819 B2 \* 5/2007 Carbonero ..... 280/79.11

D567,887 S \* 4/2008 Deluise et al. .... D21/662

\* cited by examiner

*Primary Examiner*—Charles A Rademaker

*Assistant Examiner*—Charles D Hanson

(74) *Attorney, Agent, or Firm*—Leydig, Voit & Mayer, Ltd.

(57) **CLAIM**

The ornamental design for an accessory seat for a buggy, as shown and described.

**DESCRIPTION**

FIG. 1 is a rear perspective view of an accessory seat for a buggy according to the present invention.

FIG. 2 is a front-left perspective view thereof.

FIG. 3 is a front-right perspective view thereof.

FIG. 4 is a front-bottom perspective view thereof.

FIG. 5 is a top plan view thereof.

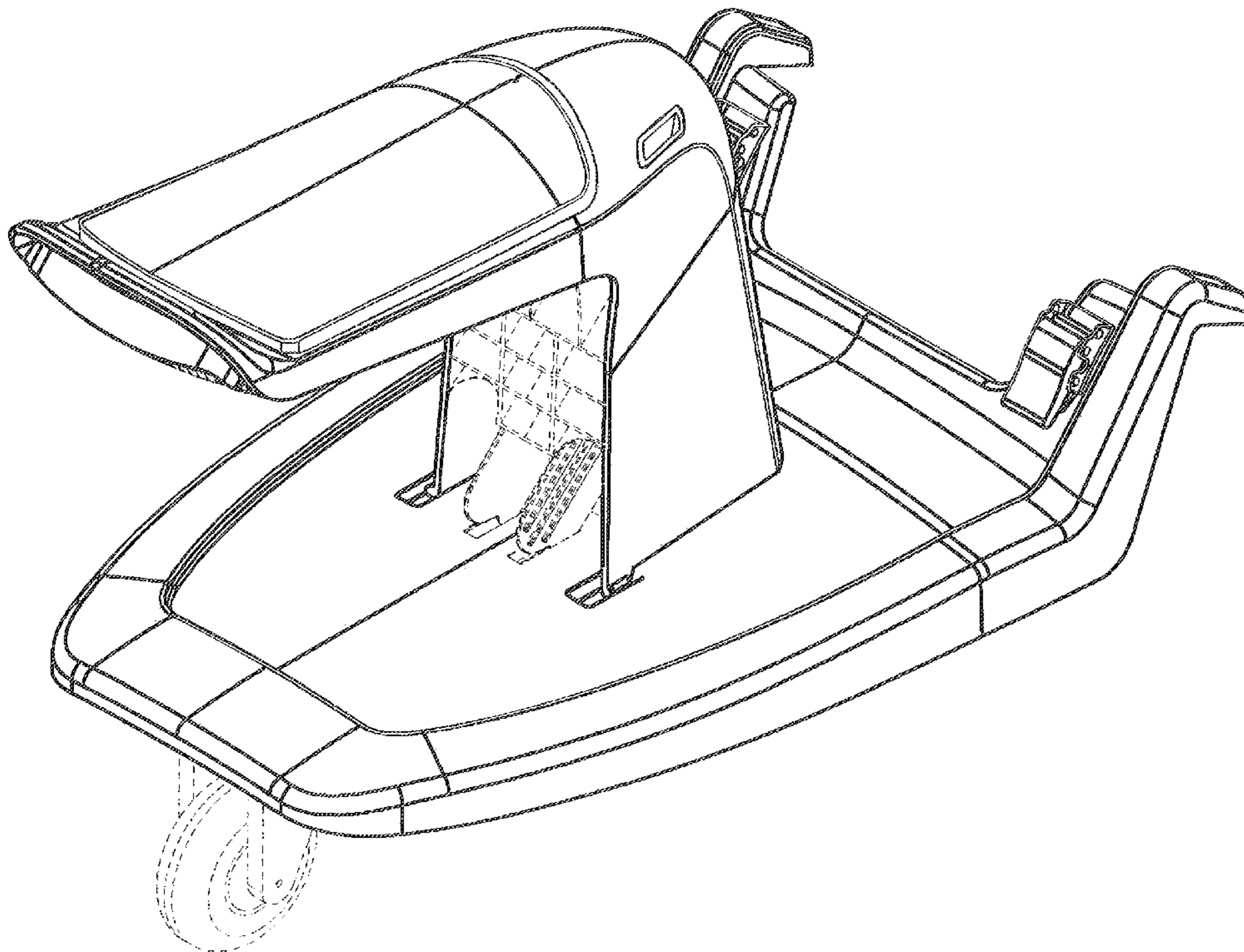
FIG. 6 is a front elevational view thereof.

FIG. 7 is a left side elevational view thereof, the right side being a mirror image; and,

FIG. 8 is a rear elevational view thereof.

The broken line showing of support structure beneath the seat and the wheel is included for the purposes of illustrating environment and forms no part of the claimed design.

**1 Claim, 8 Drawing Sheets**



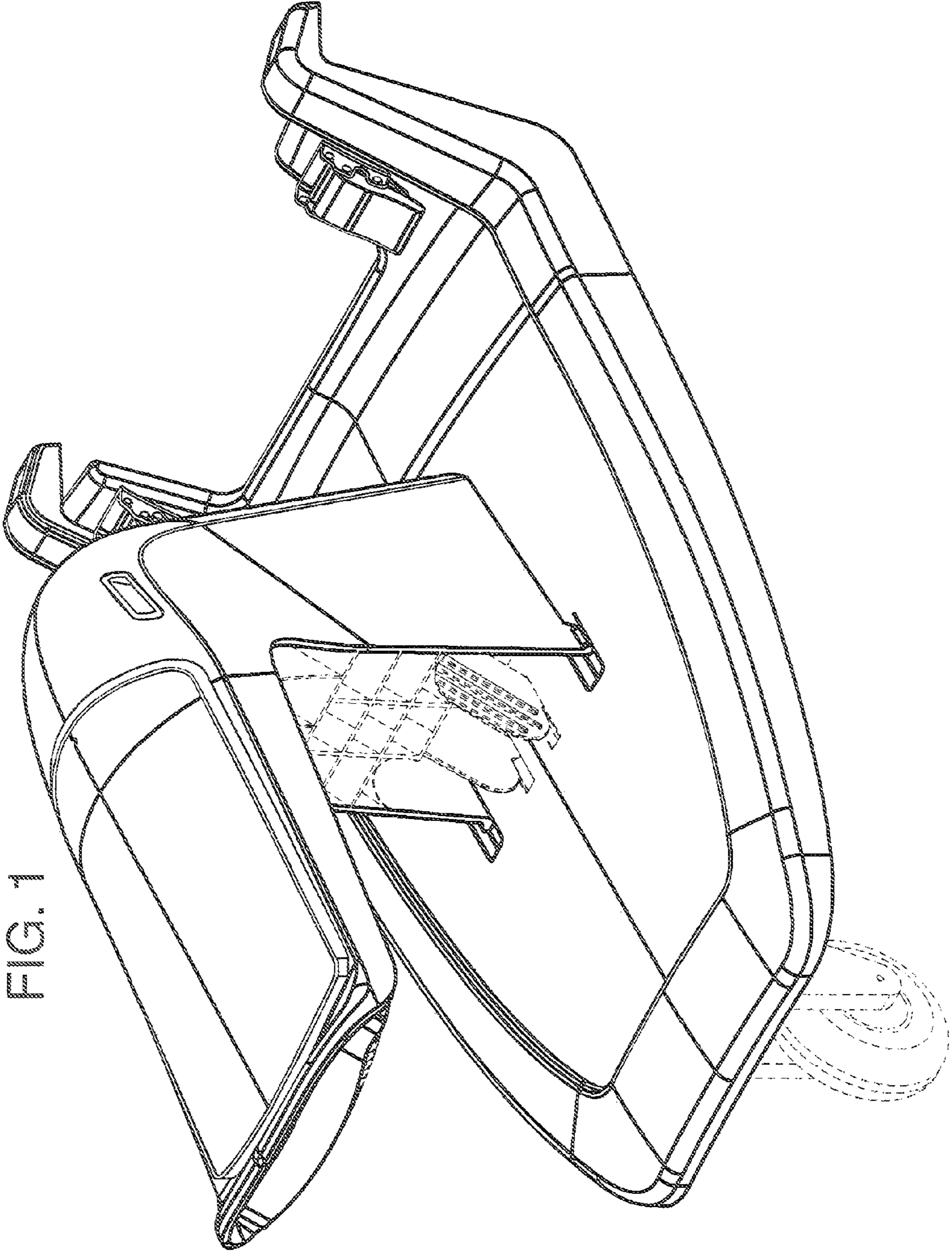


FIG. 1

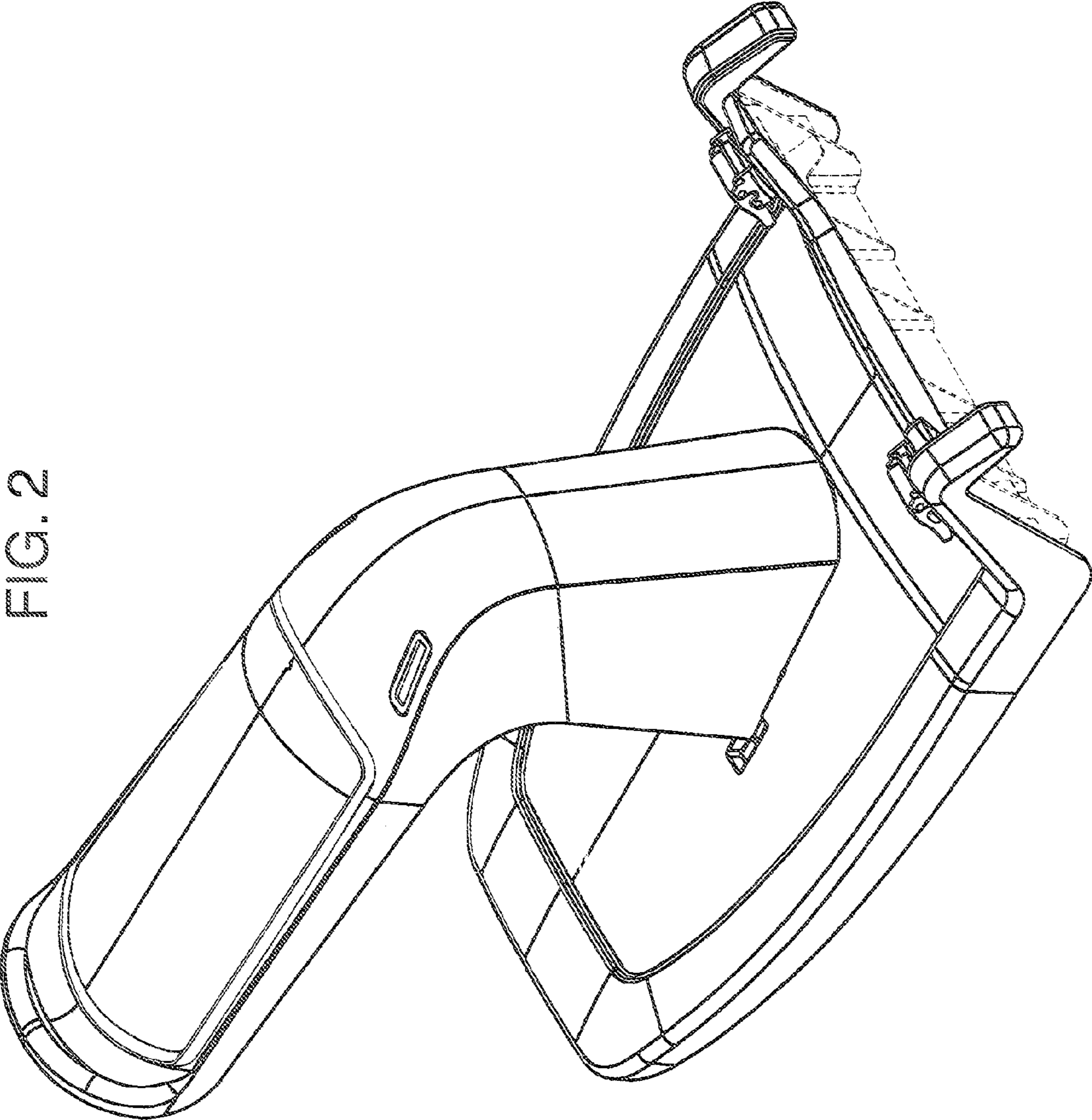


FIG. 2

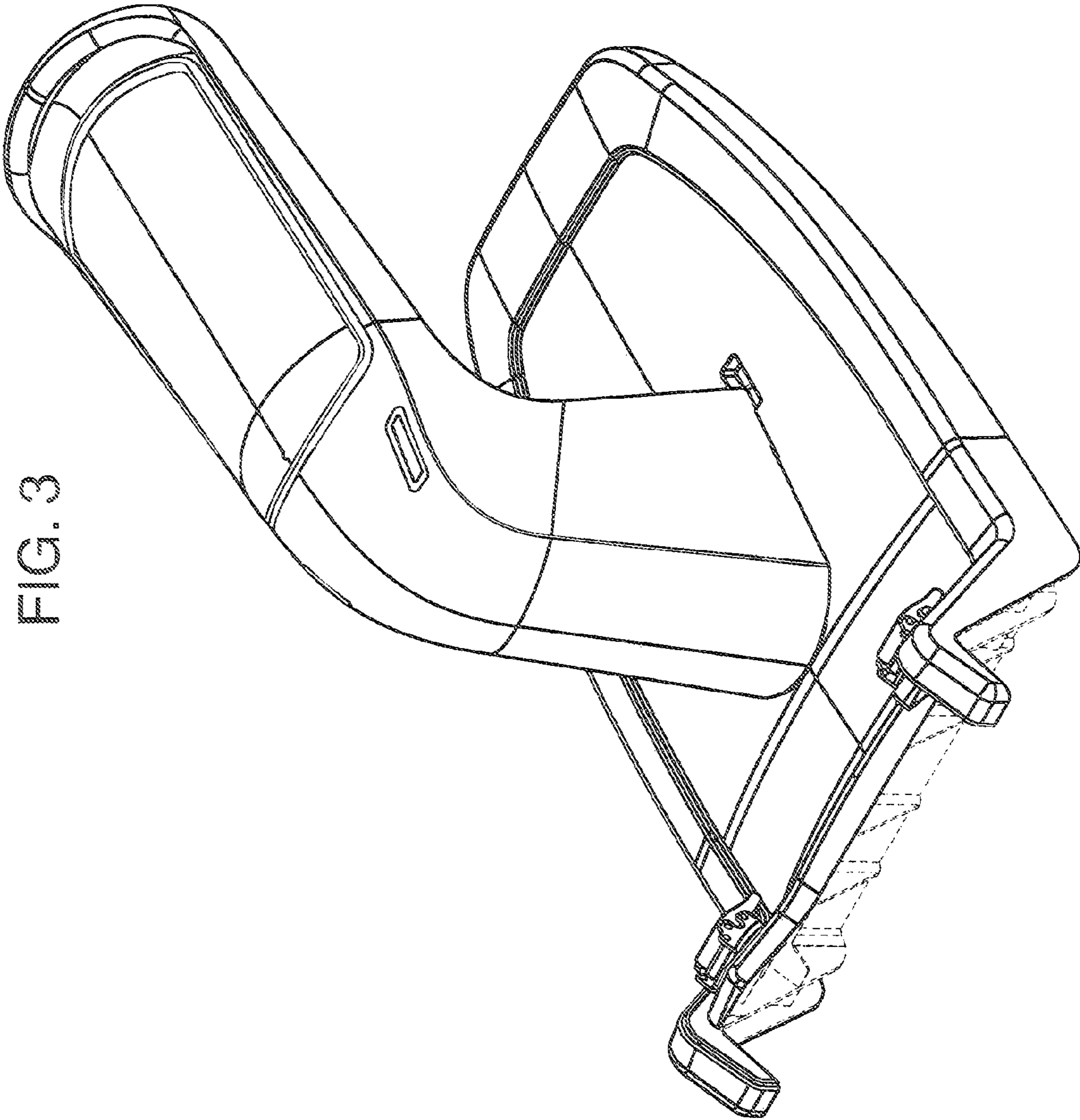


FIG. 3

FIG. 4

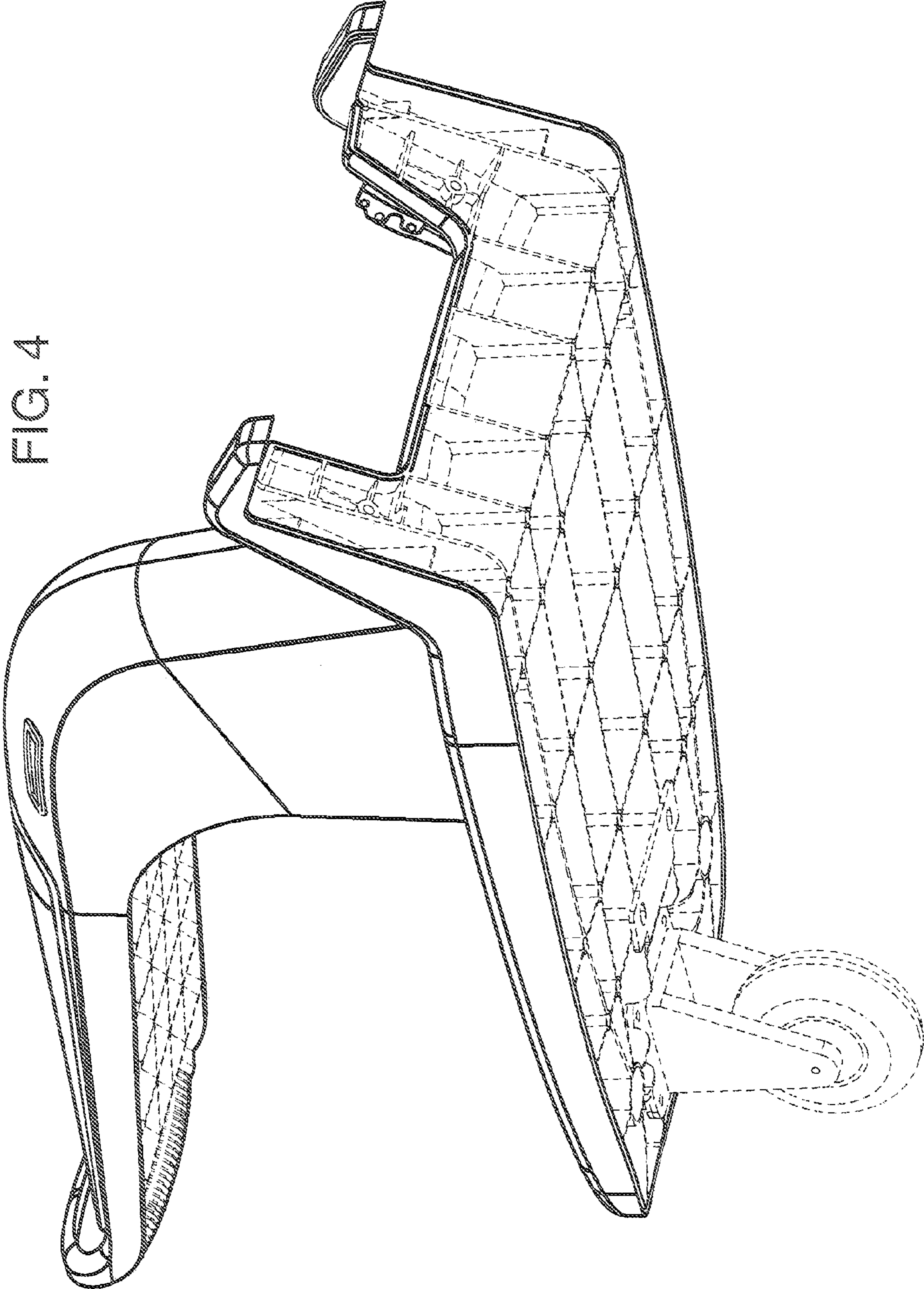


FIG. 5

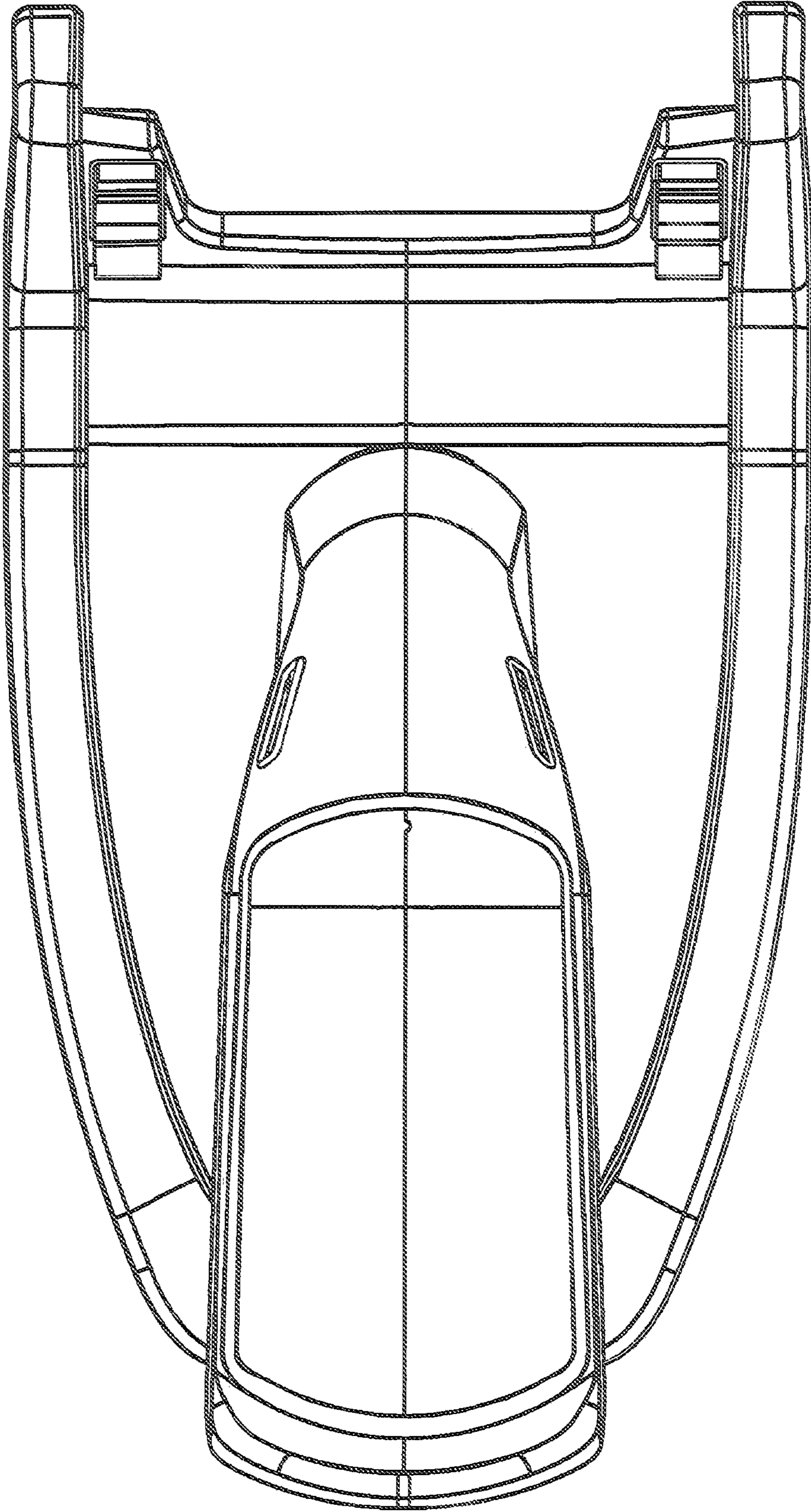
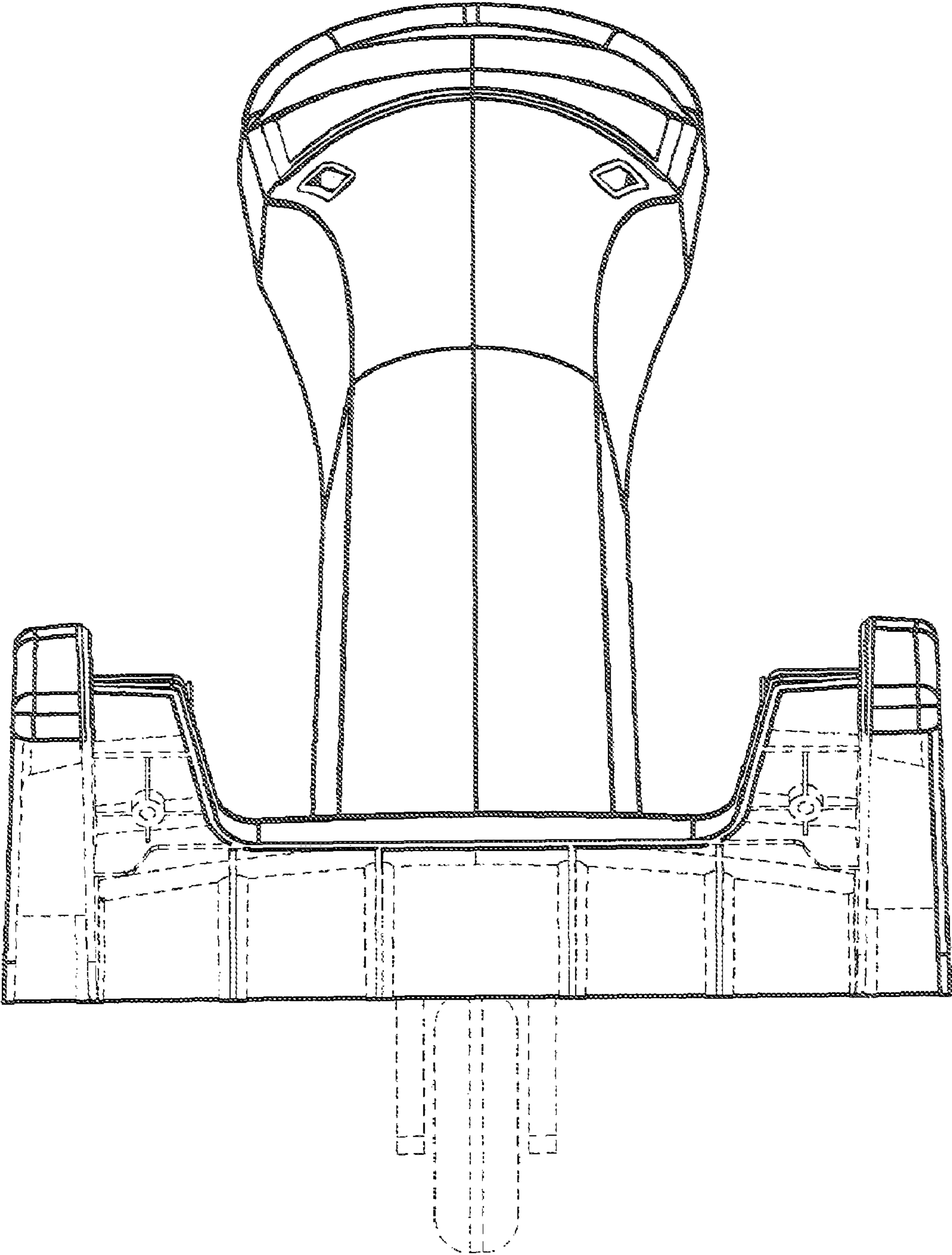


FIG. 6



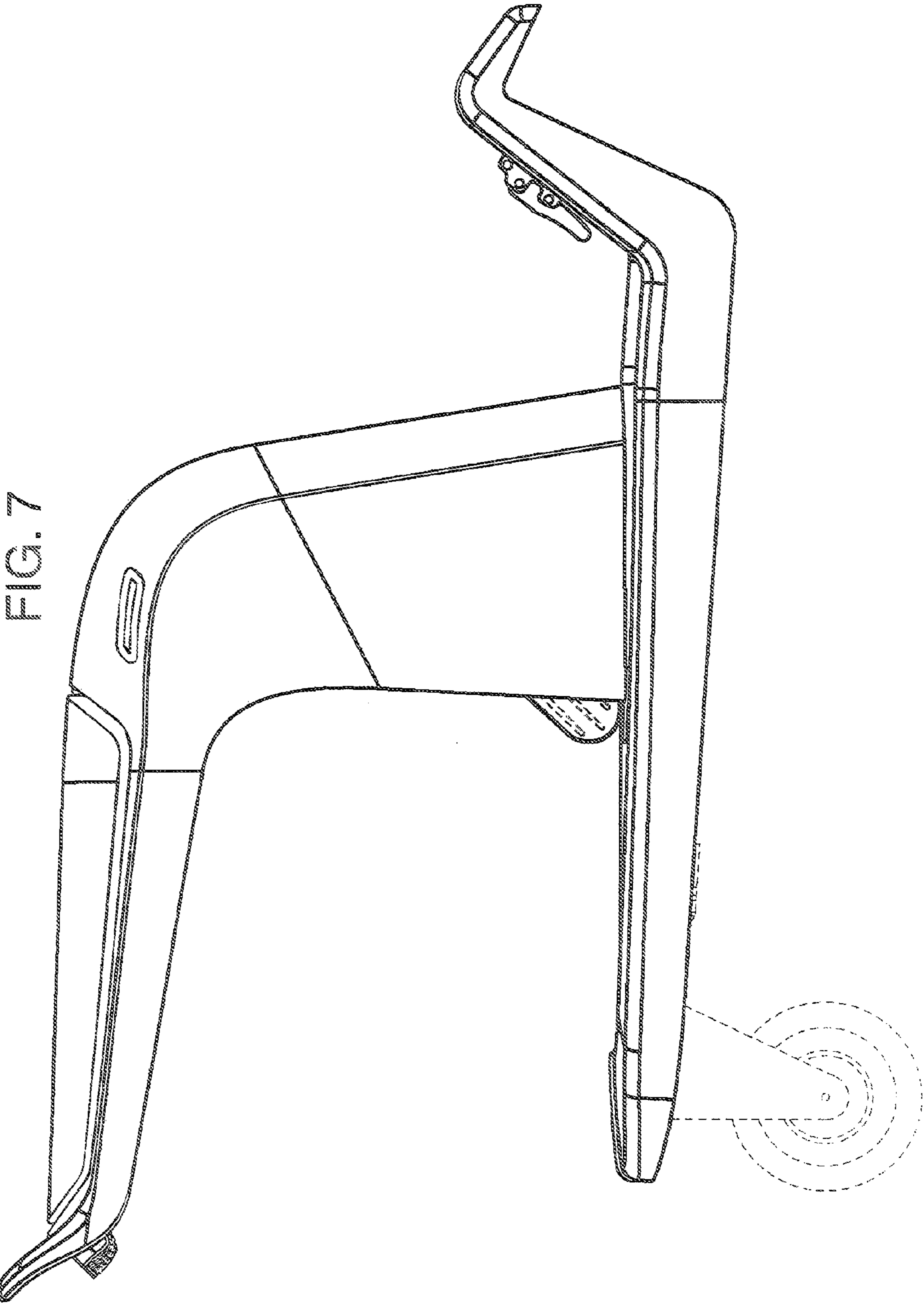




FIG. 8

