

US00D605981S

(12) **United States Design Patent**
Larson et al.

(10) **Patent No.:** **US D605,981 S**
(45) **Date of Patent:** **** Dec. 15, 2009**

(54) **AUTOMOBILE**

(75) Inventors: **Grant Larson**, Ludwigsburg (DE);
Hakan Saracoglu, Stuttgart (DE)

(73) Assignee: **Dr. Ing. h.c. F. Porsche**
Aktiengesellschaft, Weissach (DE)

(**) Term: **14 Years**

(21) Appl. No.: **29/320,680**

(22) Filed: **Jul. 1, 2008**

(30) **Foreign Application Priority Data**

Jan. 2, 2008 (EM) 000852397

(51) **LOC (9) Cl.** **12-08**

(52) **U.S. Cl.** **D12/92**

(58) **Field of Classification Search** D12/86,
D12/90-92; 296/181.1, 181.5

See application file for complete search history.

(56) **References Cited**

U.S. PATENT DOCUMENTS

D507,510 S *	7/2005	Larson	D12/92
D512,341 S *	12/2005	Larson	D12/92
D514,984 S *	2/2006	Lai	D12/92
D560,557 S *	1/2008	Kulla et al.	D12/92
D589,403 S *	3/2009	Saracoglu	D12/92
D590,300 S *	4/2009	Saracoglu	D12/92
D590,301 S *	4/2009	Saracoglu	D12/92
D592,553 S *	5/2009	Larson et al.	D12/92
D592,554 S *	5/2009	Larson et al.	D12/92

* cited by examiner

Primary Examiner—Melody N Brown

(57) **CLAIM**

The ornamental design for the automobile, as shown and described.

DESCRIPTION

FIG. 1 is a front view of the automobile showing my new design;

FIG. 2 is a rear view thereof;

FIG. 3 is a front and side perspective view thereof, any shading shown under the automobile forms no part of the invention;

FIG. 4 is rear and side perspective view thereof, any shading shown under the automobile forms no part of the invention;

FIG. 5 is a right-side view thereof;

FIG. 6 is a left-side view thereof;

FIG. 7 is a top, plan view thereof;

FIG. 8 is a front view thereof with the top in a lowered position;

FIG. 9 is a rear view thereof with the top in the lowered position;

FIG. 10 is a front and side, perspective view thereof with the top in the lowered position, any shading shown under the automobile forms no part of the invention;

FIG. 11 is a rear and side, perspective view thereof with the top in the lowered position, any shading shown under the automobile forms no part of the invention;

FIG. 12 is a right-side view thereof with the top in the lowered position;

FIG. 13 is a left-side view thereof with the top in the lowered position; and,

FIG. 14 is a top, plan view thereof with the top in the lowered position.

1 Claim, 7 Drawing Sheets



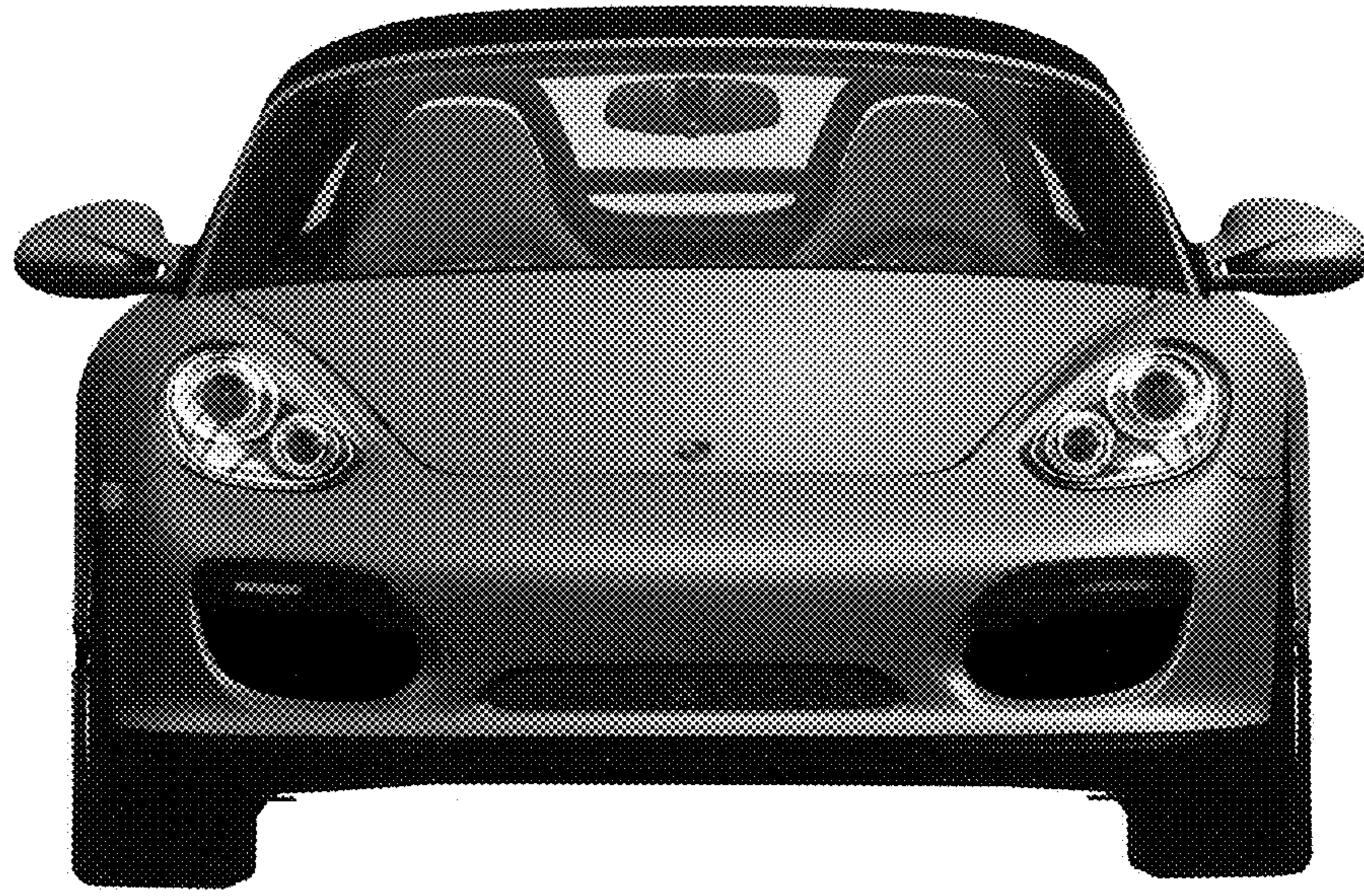


FIG. 1



FIG. 2



FIG. 3

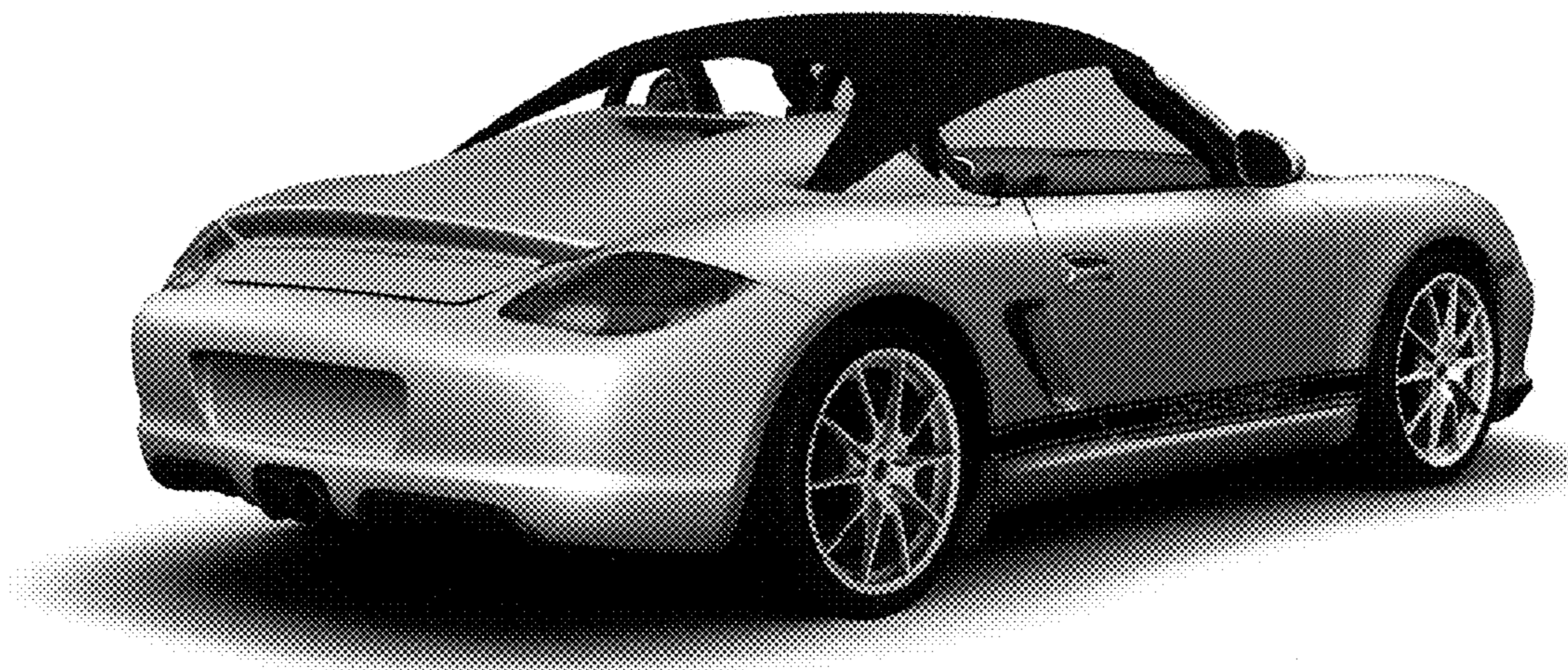


FIG. 4

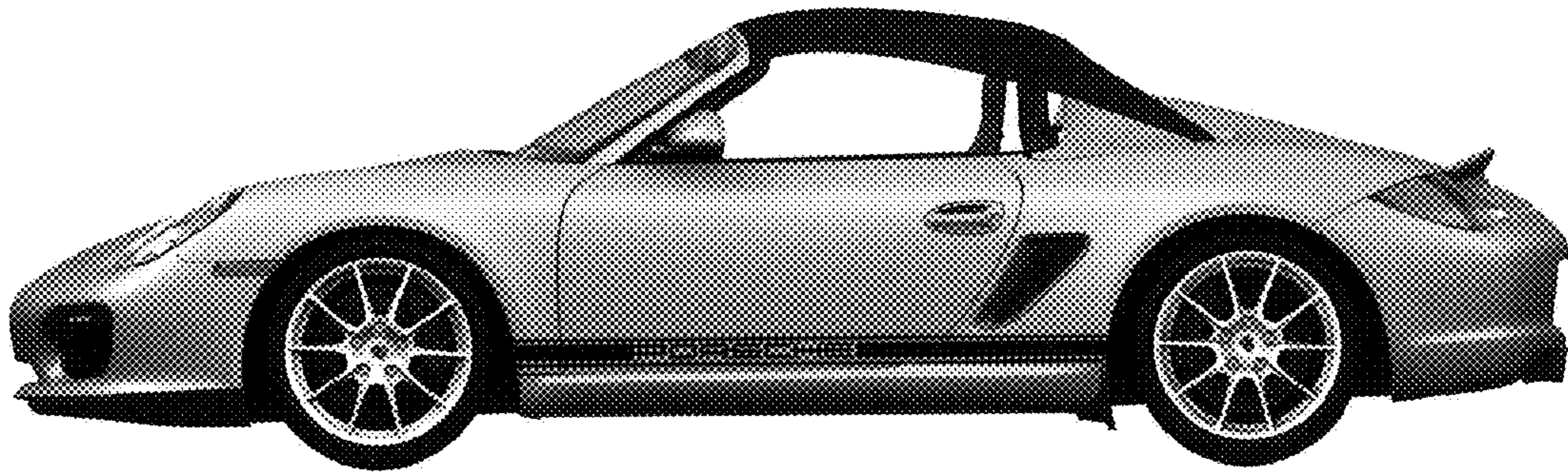


FIG. 5

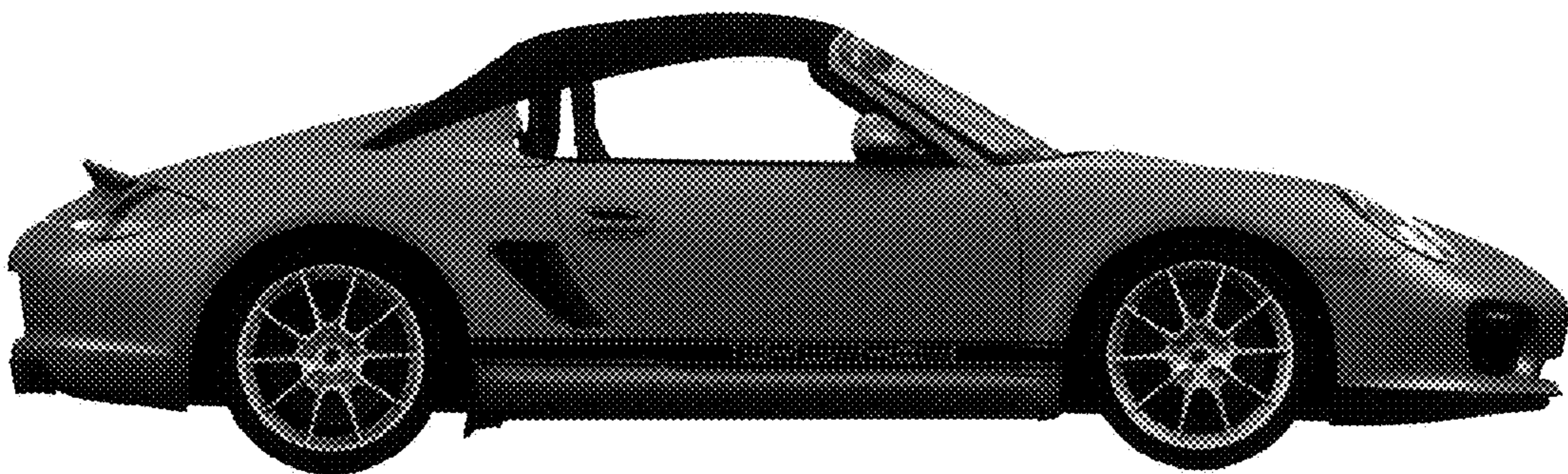


FIG. 6

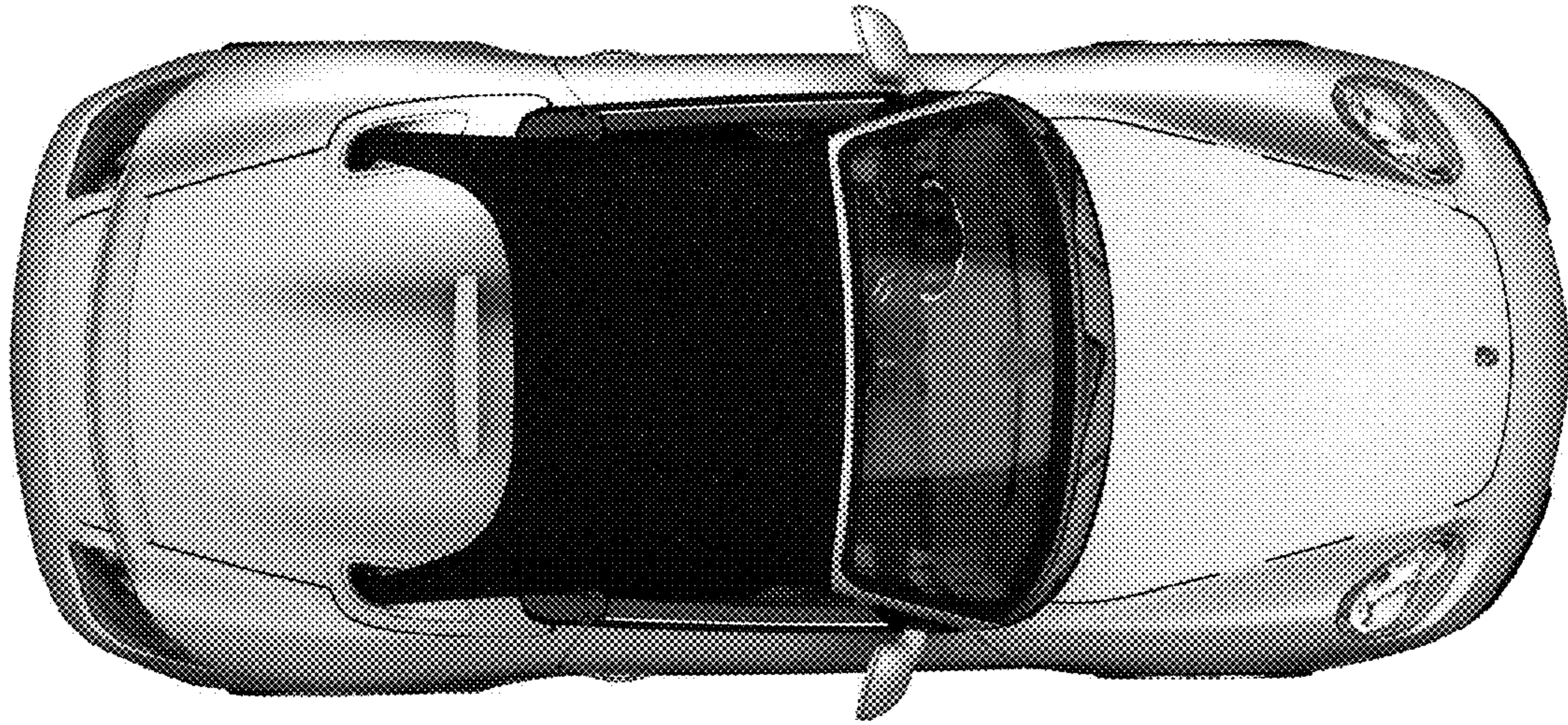


FIG. 7



FIG. 8



FIG. 9



FIG. 10

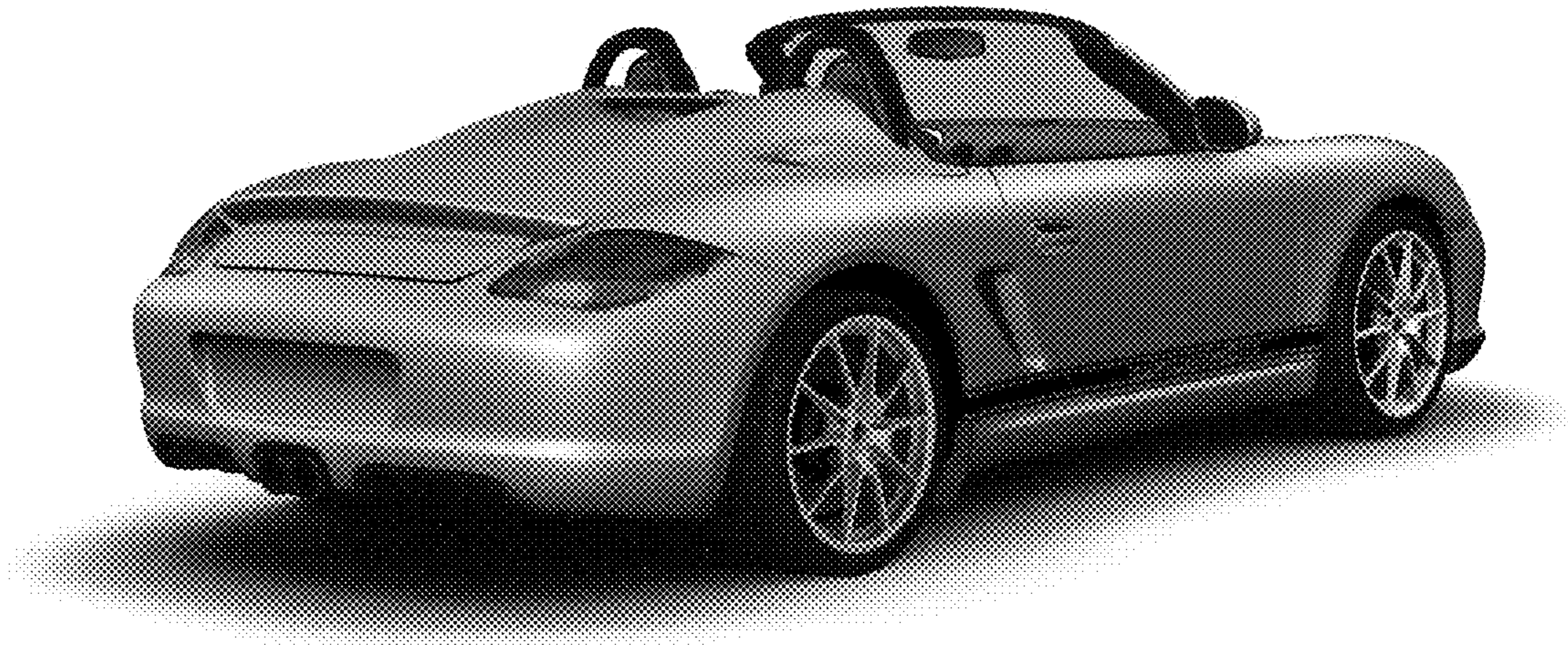


FIG. 11

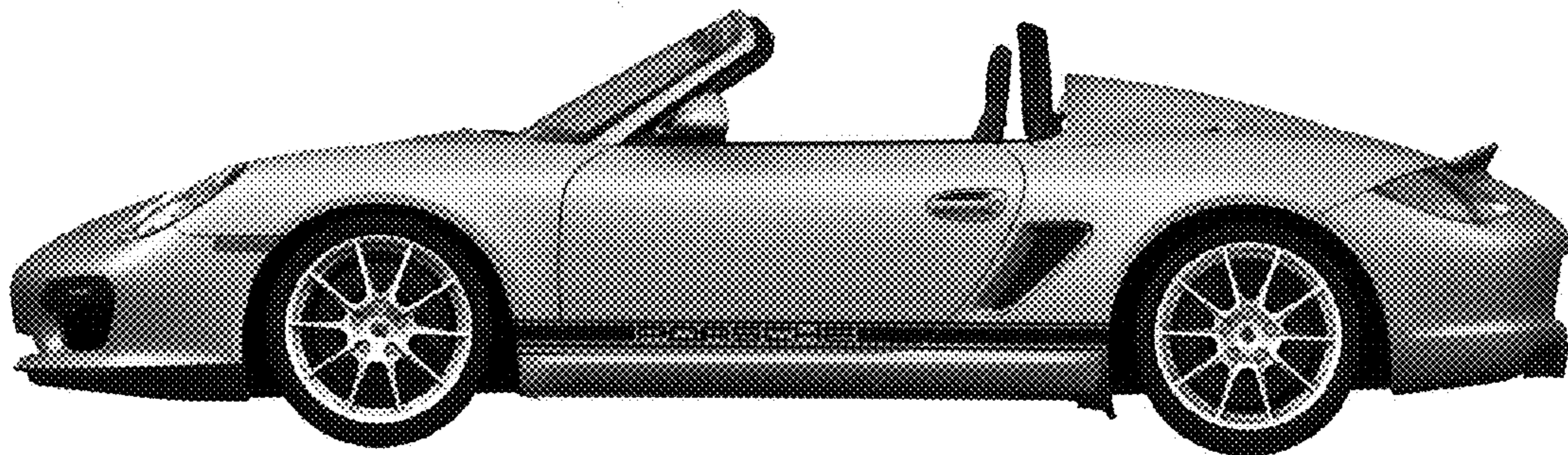


FIG. 12

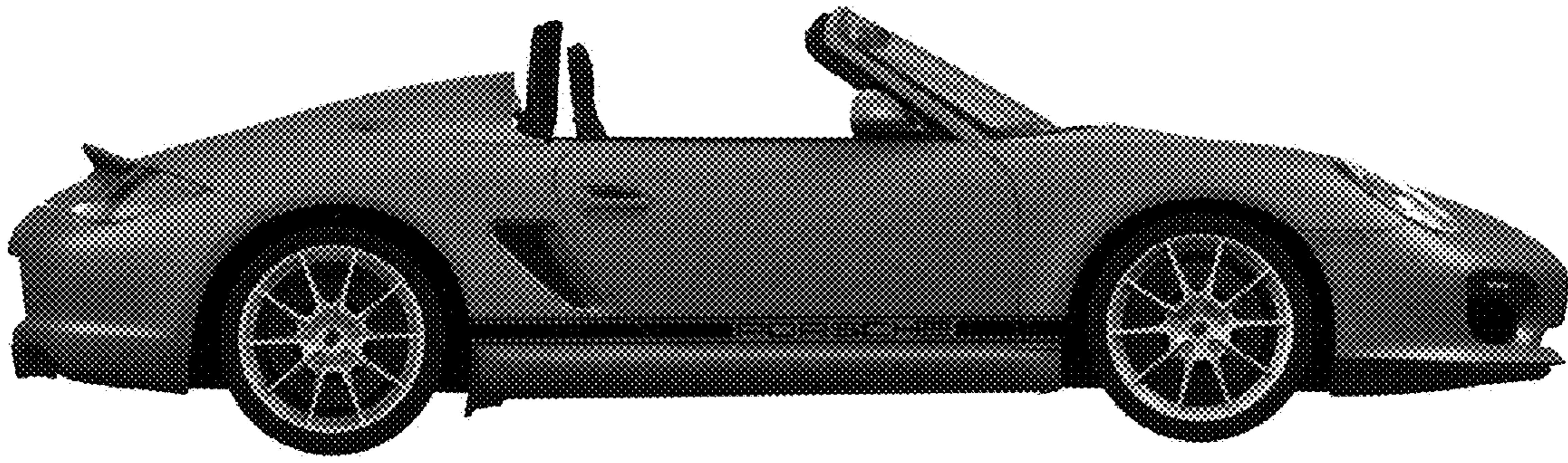


FIG. 13

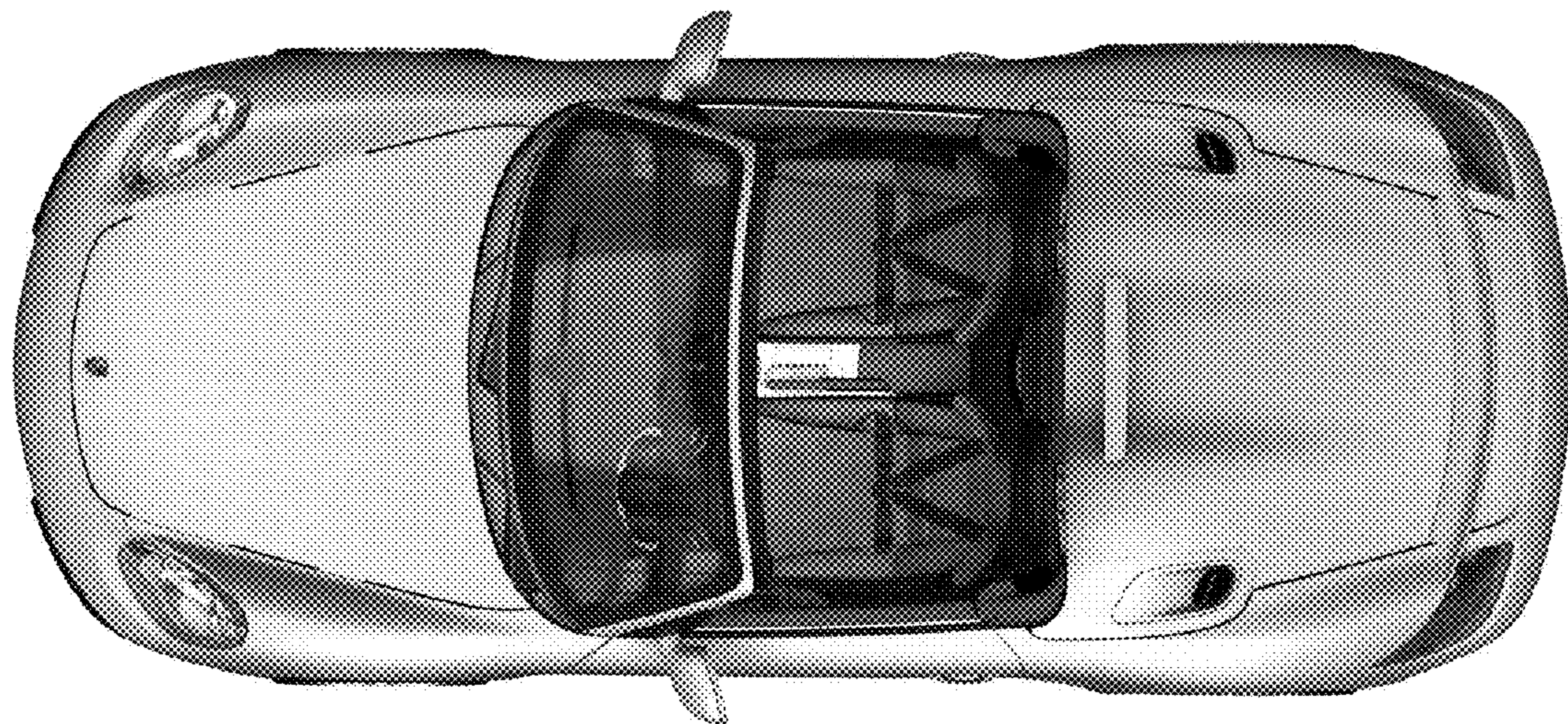


FIG. 14