



US00D605979S

(12) **United States Design Patent**
Sahs

(10) **Patent No.:** **US D605,979 S**

(45) **Date of Patent:** **** Dec. 15, 2009**

(54) **SURFACE CONFIGURATION OF A VEHICLE BODY, TOY, AND/OR REPLICA**

(75) Inventor: **John Sahs**, Komae (JP)

(73) Assignee: **Nissan Motor Co., Ltd.**, Yokohama-shi (JP)

(**) Term: **14 Years**

(21) Appl. No.: **29/332,238**

(22) Filed: **Feb. 11, 2009**

(30) **Foreign Application Priority Data**

Sep. 1, 2008 (JP) 2008-022406

(51) **LOC (9) Cl.** **12-08**

(52) **U.S. Cl.** **D12/91**

(58) **Field of Classification Search** D12/86,
D12/90-92; 296/181.1, 181.5

See application file for complete search history.

(56) **References Cited**

U.S. PATENT DOCUMENTS

D522,407 S * 6/2006 Kim et al. D12/91
D531,086 S * 10/2006 Zhang et al. D12/90
D532,716 S * 11/2006 Moushegian D12/91
D533,113 S * 12/2006 Cartabiano et al. D12/91

D539,190 S * 3/2007 Brown et al. D12/91

D540,214 S * 4/2007 Nakai et al. D12/91

D541,702 S * 5/2007 D'Aprile et al. D12/91

D555,038 S * 11/2007 Suzuki et al. D12/91

D563,273 S * 3/2008 Zhang et al. D12/91

D570,250 S * 6/2008 Nakamura D12/91

* cited by examiner

Primary Examiner—Melody N Brown

(74) *Attorney, Agent, or Firm*—Foley & Lardner LLP

(57) **CLAIM**

The ornamental design for a surface configuration of a vehicle body, toy, and/or replica, as shown and described.

DESCRIPTION

FIG. 1 is a front perspective view of a surface configuration of a vehicle body, toy, and/or replica;

FIG. 2 is a rear perspective view thereof;

FIG. 3 is a front view thereof;

FIG. 4 is a rear view thereof;

FIG. 5 is a top plan view thereof;

FIG. 6 is a bottom plan view thereof;

FIG. 7 is a left side view thereof; and,

FIG. 8 is a right side view thereof.

1 Claim, 4 Drawing Sheets

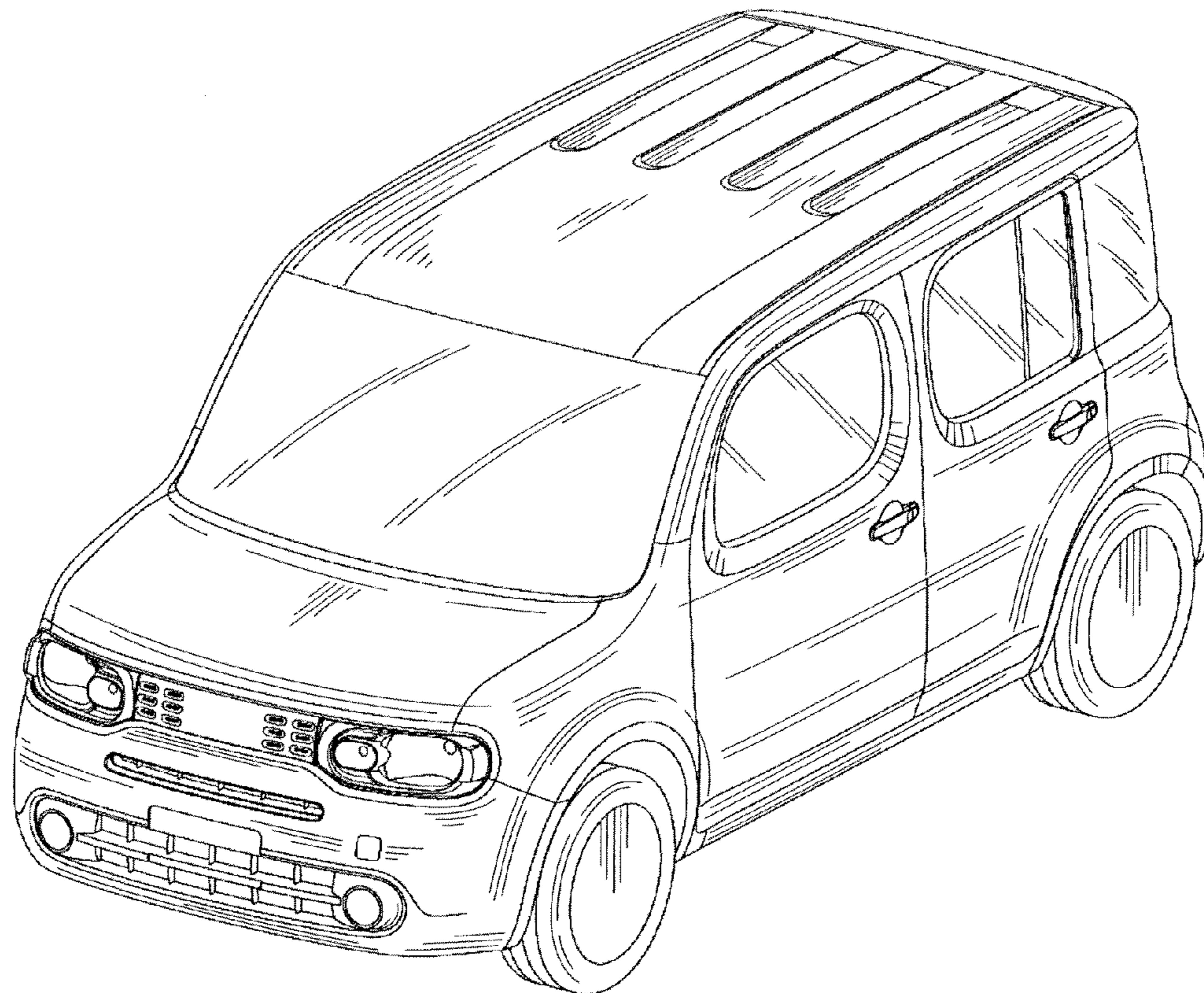


Fig.1

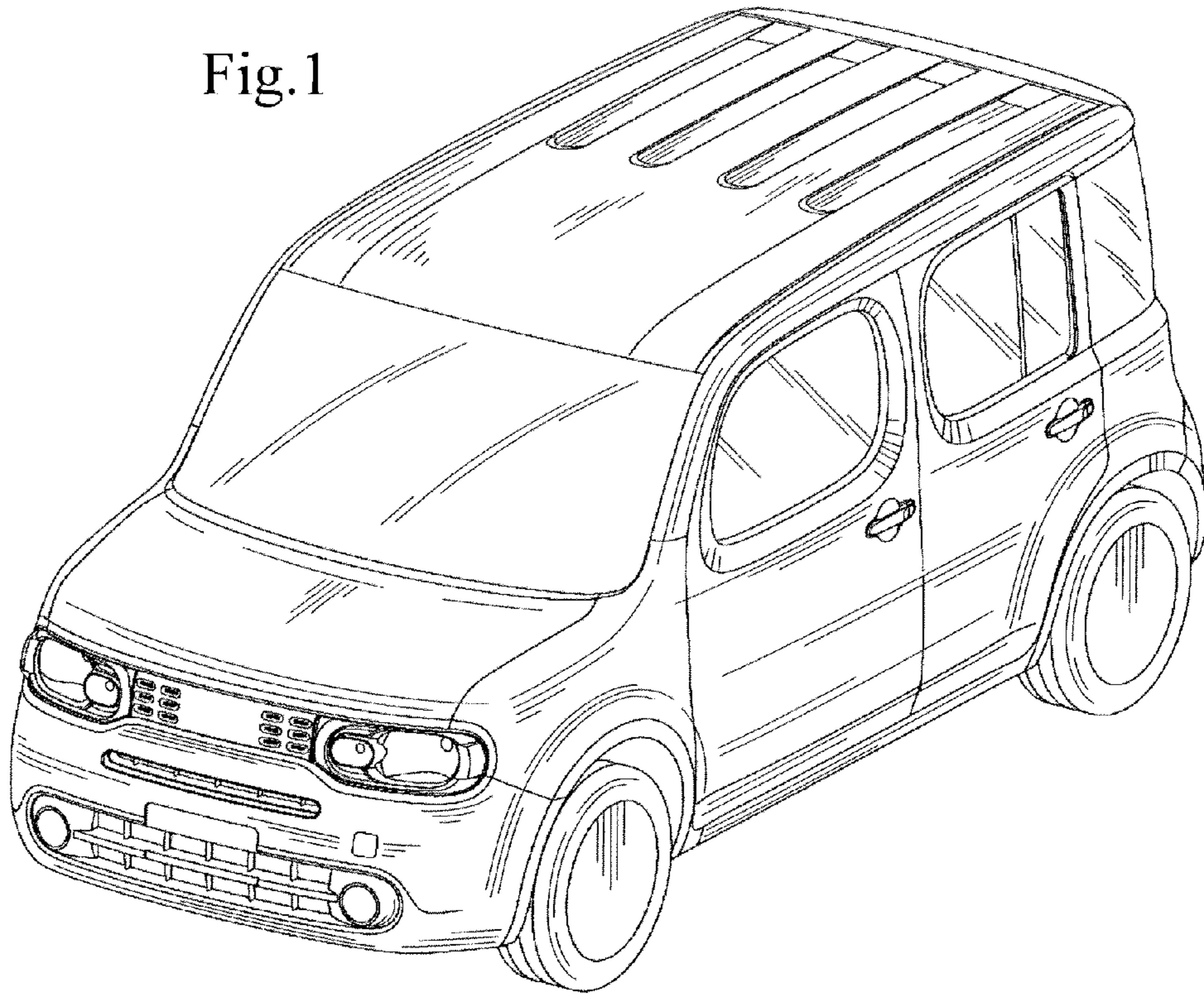


Fig.2

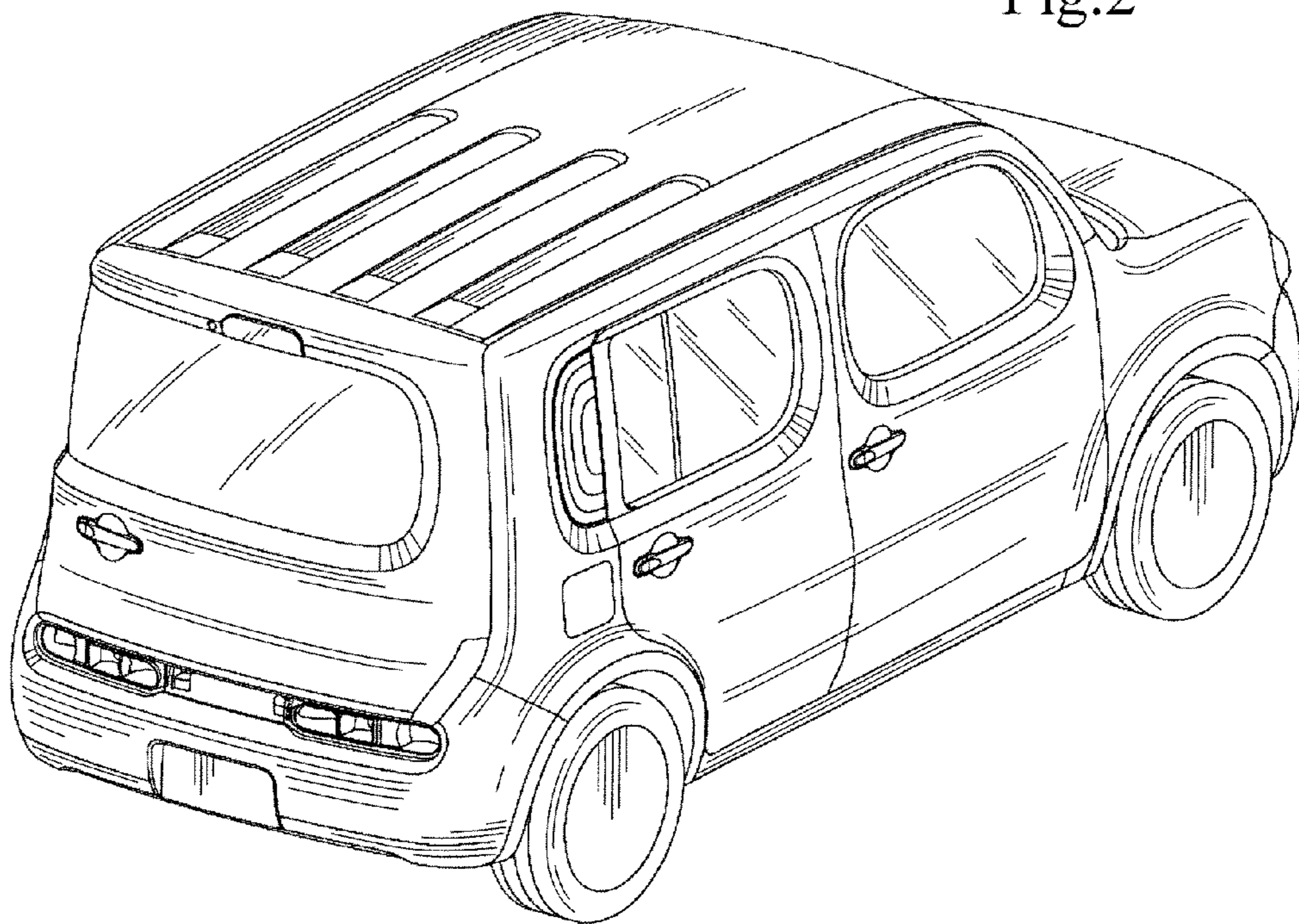


Fig.3

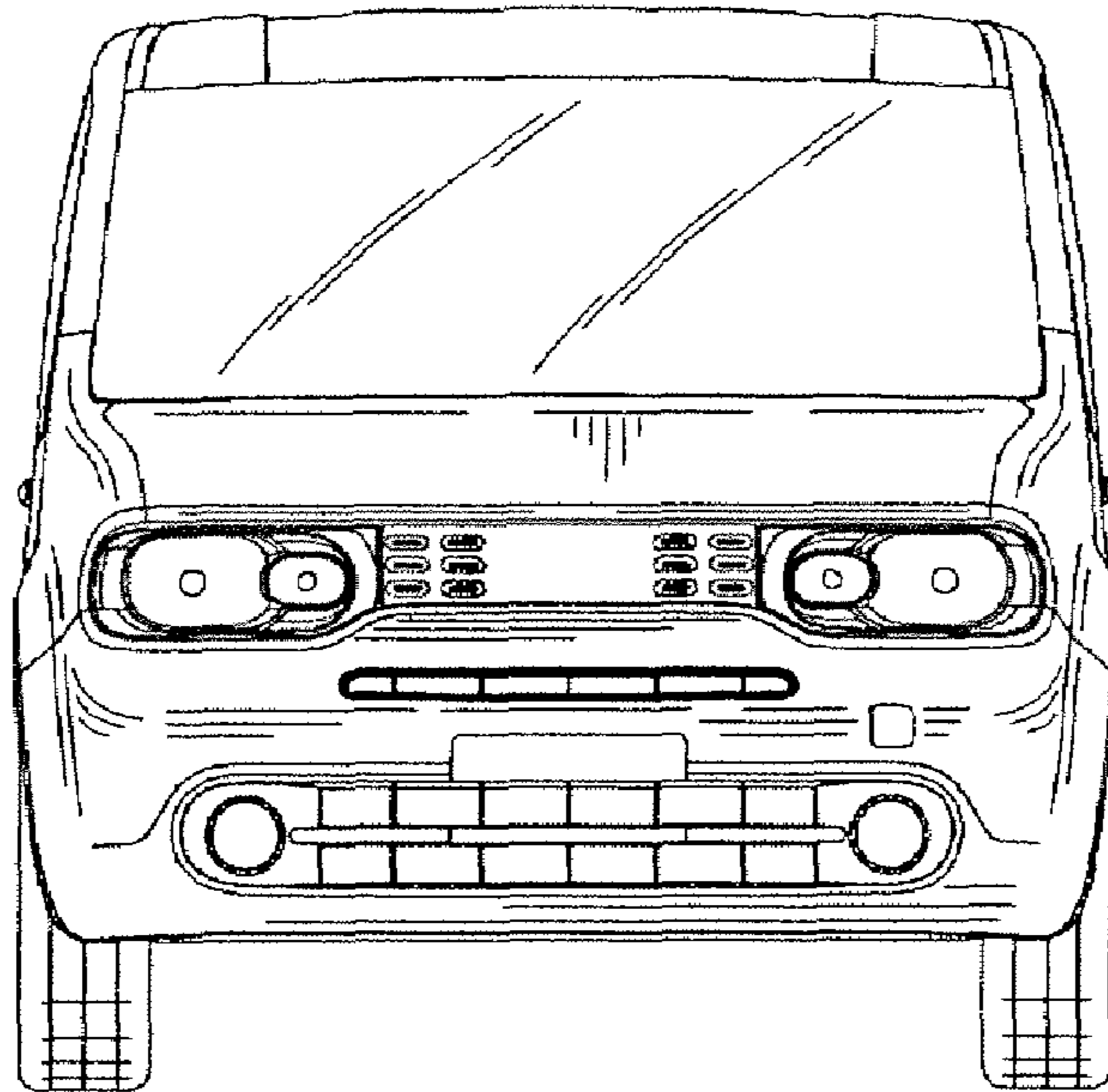


Fig.4

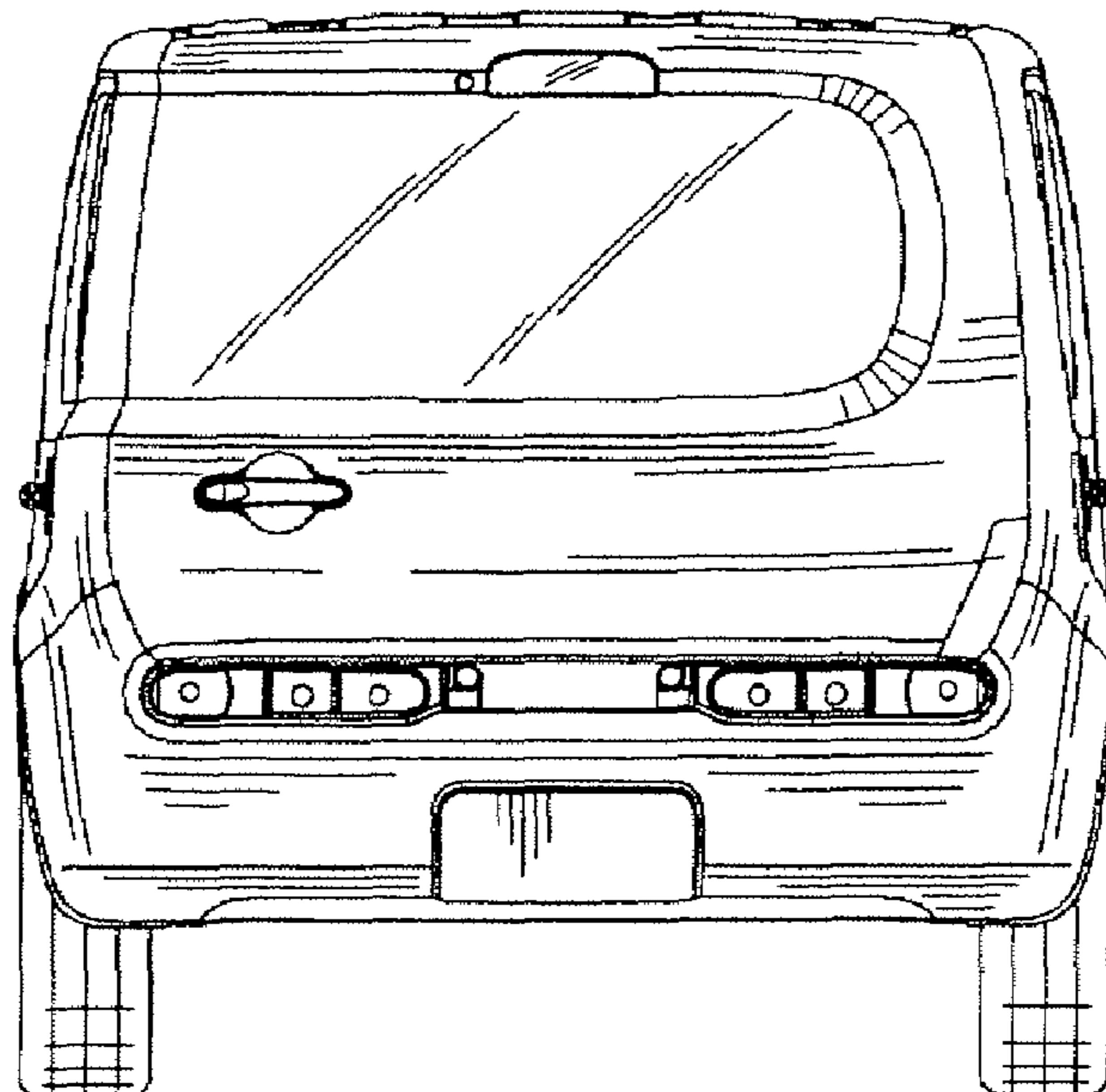


Fig.5

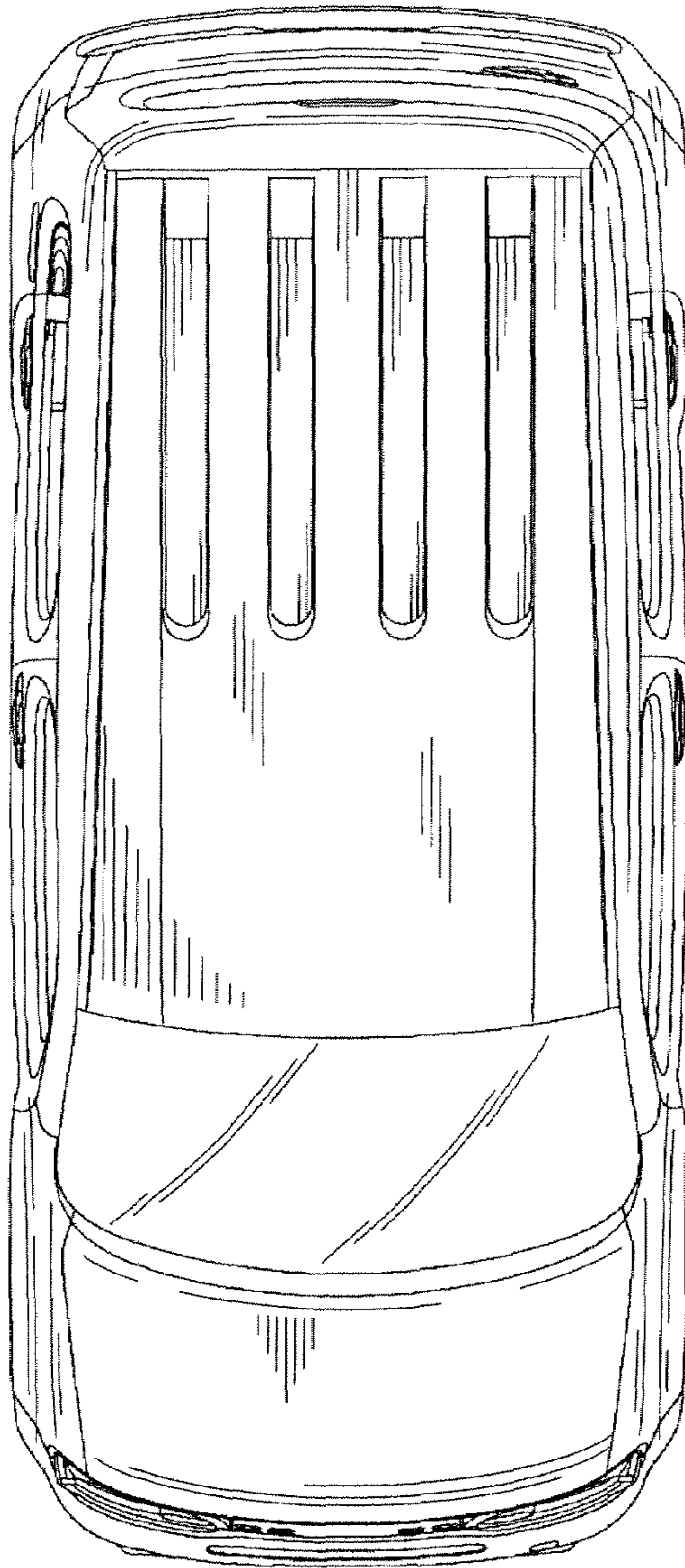


Fig.6

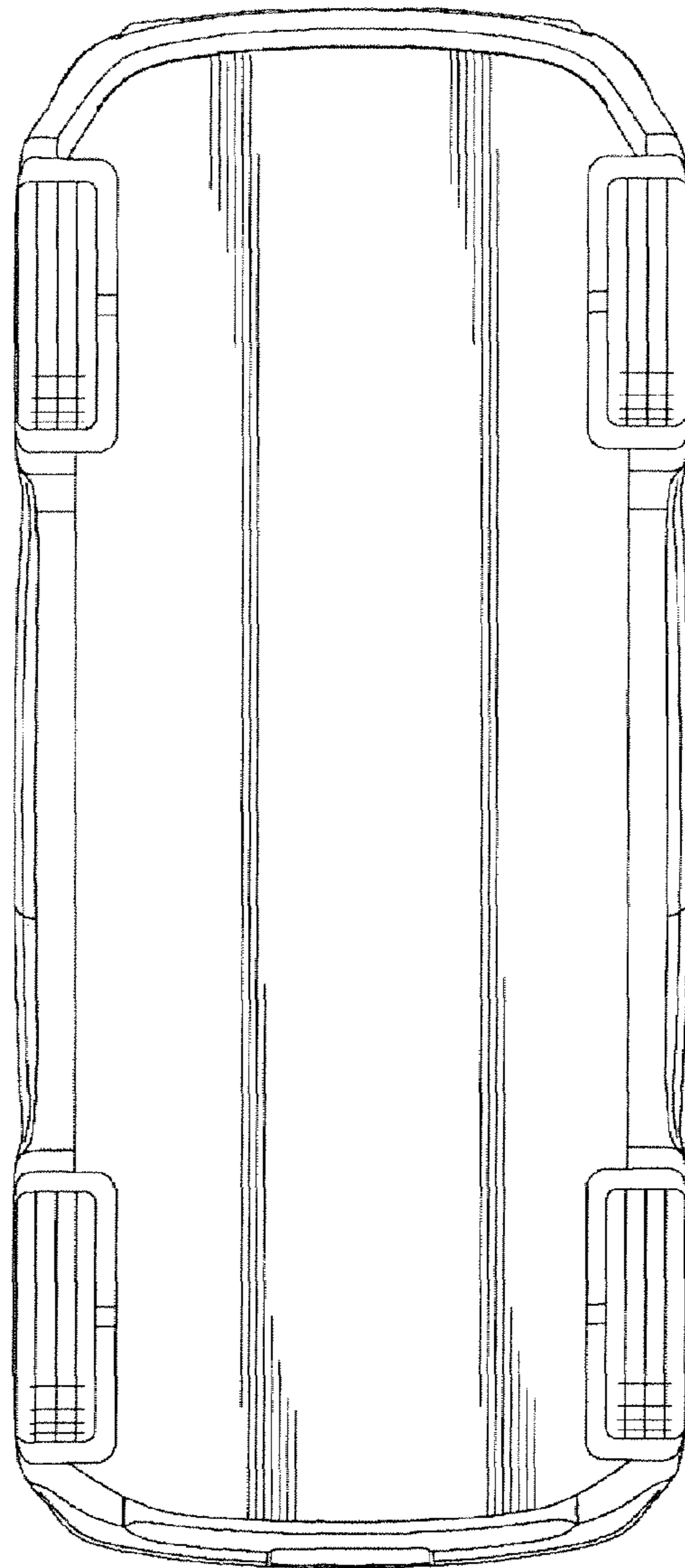


Fig.7

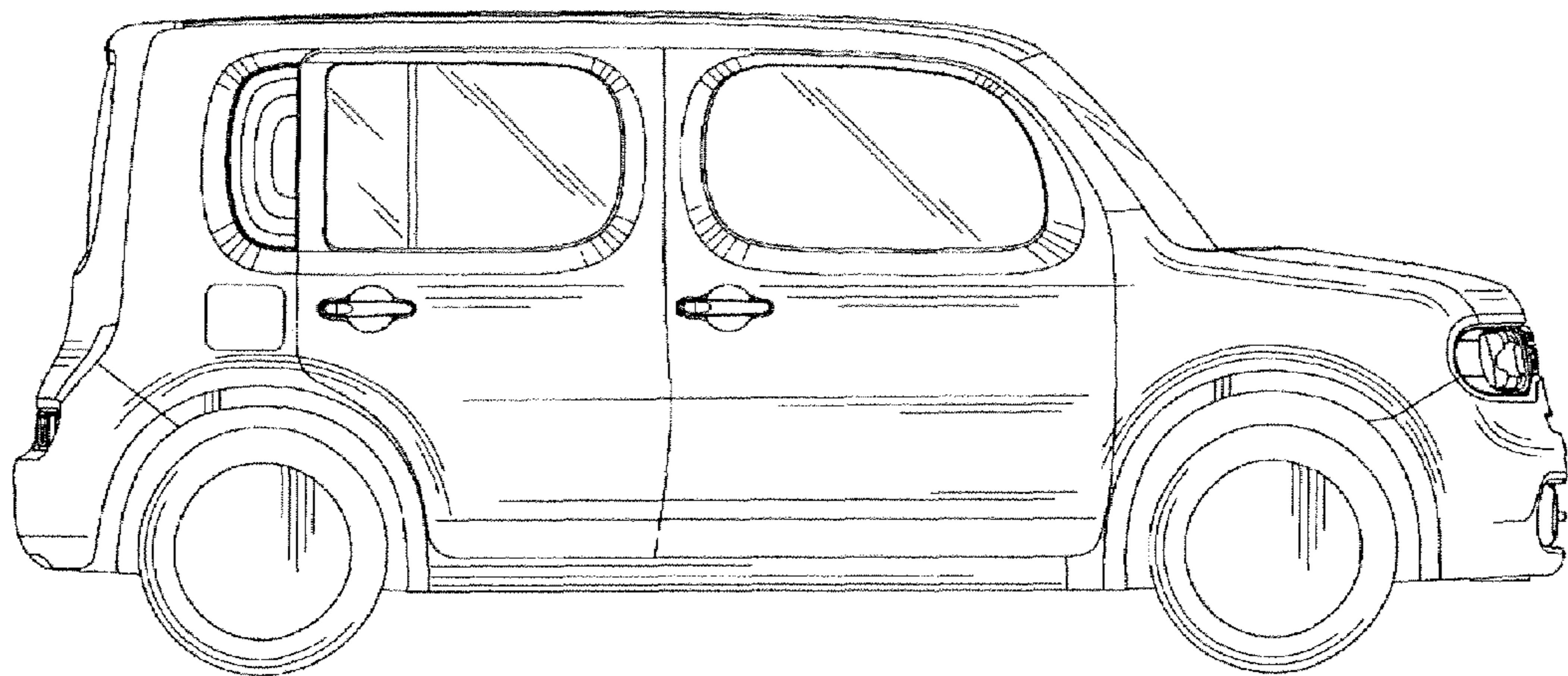


Fig.8

