



US00D605971S

(12) **United States Design Patent**
Esposito

(10) **Patent No.:** **US D605,971 S**

(45) **Date of Patent:** **** Dec. 15, 2009**

(54) **CALENDAR KEY PENDANT**

(76) Inventor: **Michele Esposito**, 26106 Alizia Canyon Dr., Calabasas, CA (US) 91302

(**) Term: **14 Years**

(21) Appl. No.: **29/338,284**

(22) Filed: **Jun. 8, 2009**

(51) **LOC (9) Cl.** **11-02**

(52) **U.S. Cl.** **D11/60**

(58) **Field of Classification Search** D11/60-61,
D11/1, 2, 7, 40, 44, 48, 79-81, 86, 95-97,
D11/99-100, 108, 109, 116; 63/13, 14.1,
63/18-20, 23; D3/207-211; D8/347

See application file for complete search history.

(56) **References Cited**

U.S. PATENT DOCUMENTS

D149,882 S *	6/1948	Katz	D11/60
D165,394 S *	12/1951	Randall	D11/101
D186,941 S *	12/1959	Hoys	D3/211
D297,820 S *	9/1988	Chan	D3/207
D305,216 S *	12/1989	Aucoin	D11/105
D389,302 S *	1/1998	Ekeoba	D3/208
D440,037 S *	4/2001	Bharaj	D3/208
D510,185 S *	10/2005	Chan	D3/208

D578,303 S * 10/2008 Shetler D3/211

* cited by examiner

Primary Examiner—Cathron C Brooks

Assistant Examiner—Melanie Levy

(74) *Attorney, Agent, or Firm*—QuickPatents, Inc.; Kevin Prince

(57) **CLAIM**

I claim the ornamental design for a calendar key pendant, as shown and described.

DESCRIPTION

FIG. 1 is a perspective view of a calendar key pendant, showing my new design;

FIG. 2 is a front elevational view thereof;

FIG. 3 is a rear elevational view thereof;

FIG. 4 is a left-side elevational view thereof;

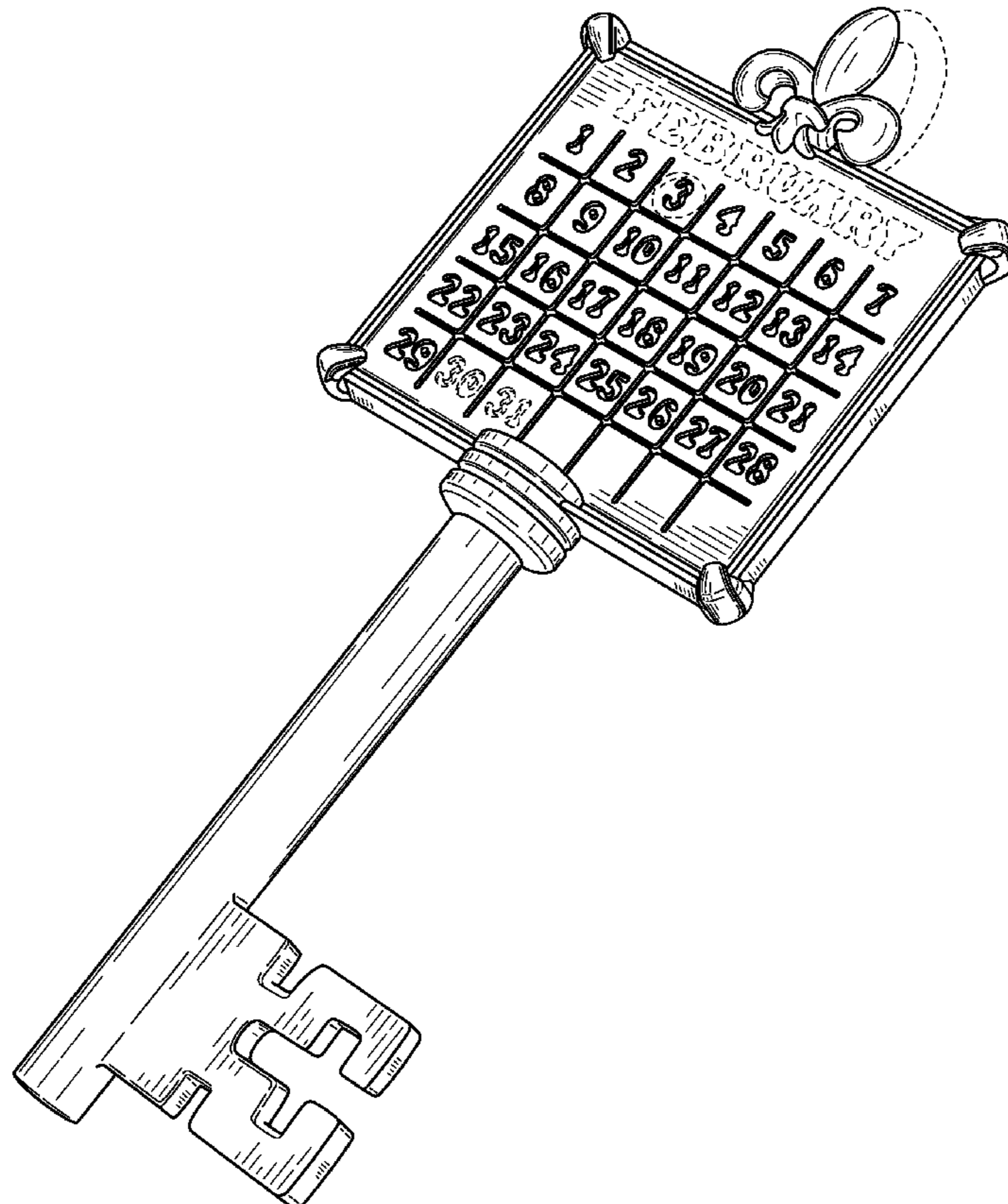
FIG. 5 is a right-side elevational view thereof;

FIG. 6 is a top plan view thereof; and,

FIG. 7 is a bottom plan view thereof.

The broken lines showing a month and the numbers 30 and 31 in FIGS. 1 and 2, and the broken lines showing a jewel marker around the number 3 in FIGS. 1, 2, 4-7, and a necklace ring in all of the figures are included for the purpose of illustrating the invention in use, and form no part of the claimed design.

1 Claim, 4 Drawing Sheets



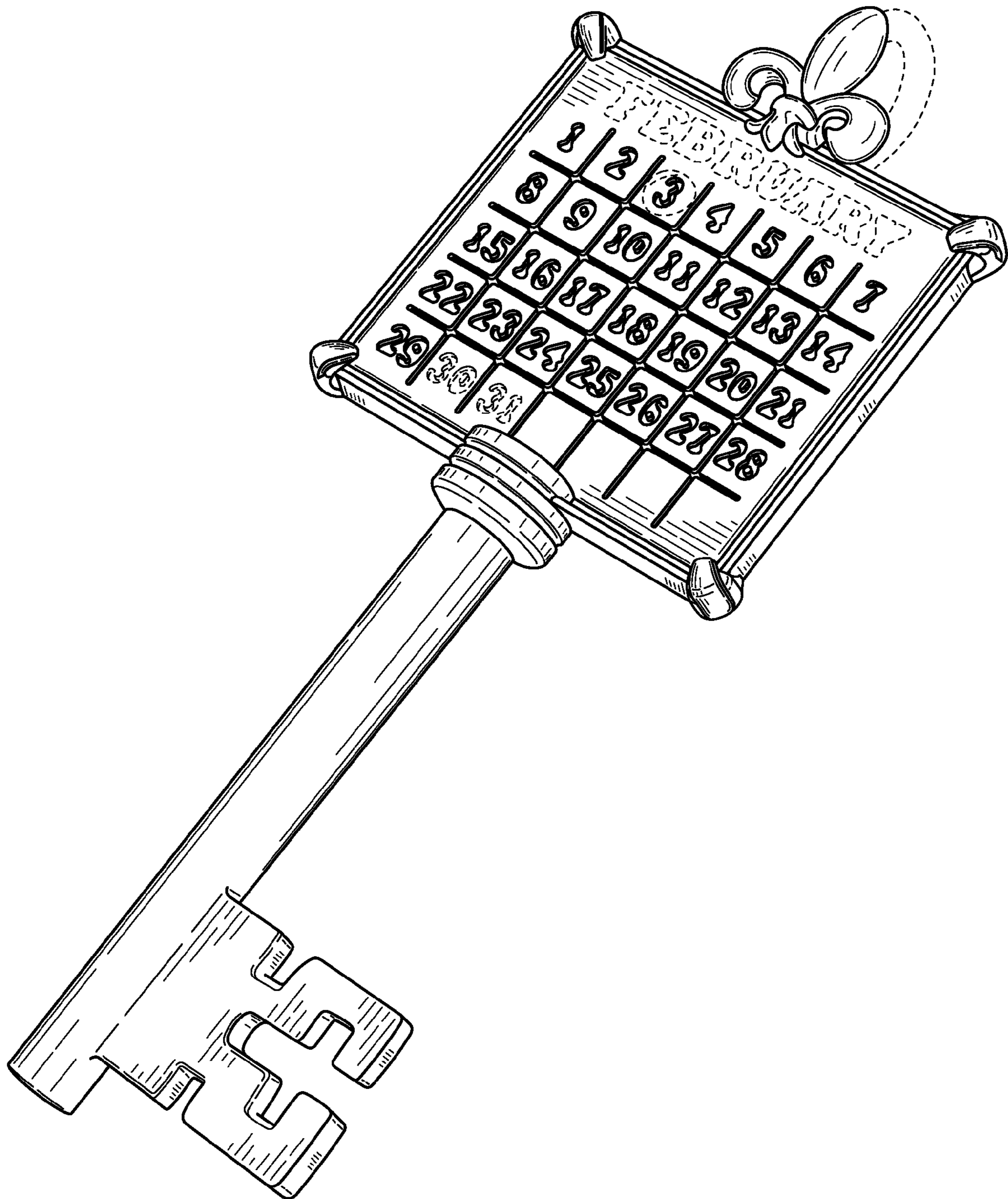


FIG. 1

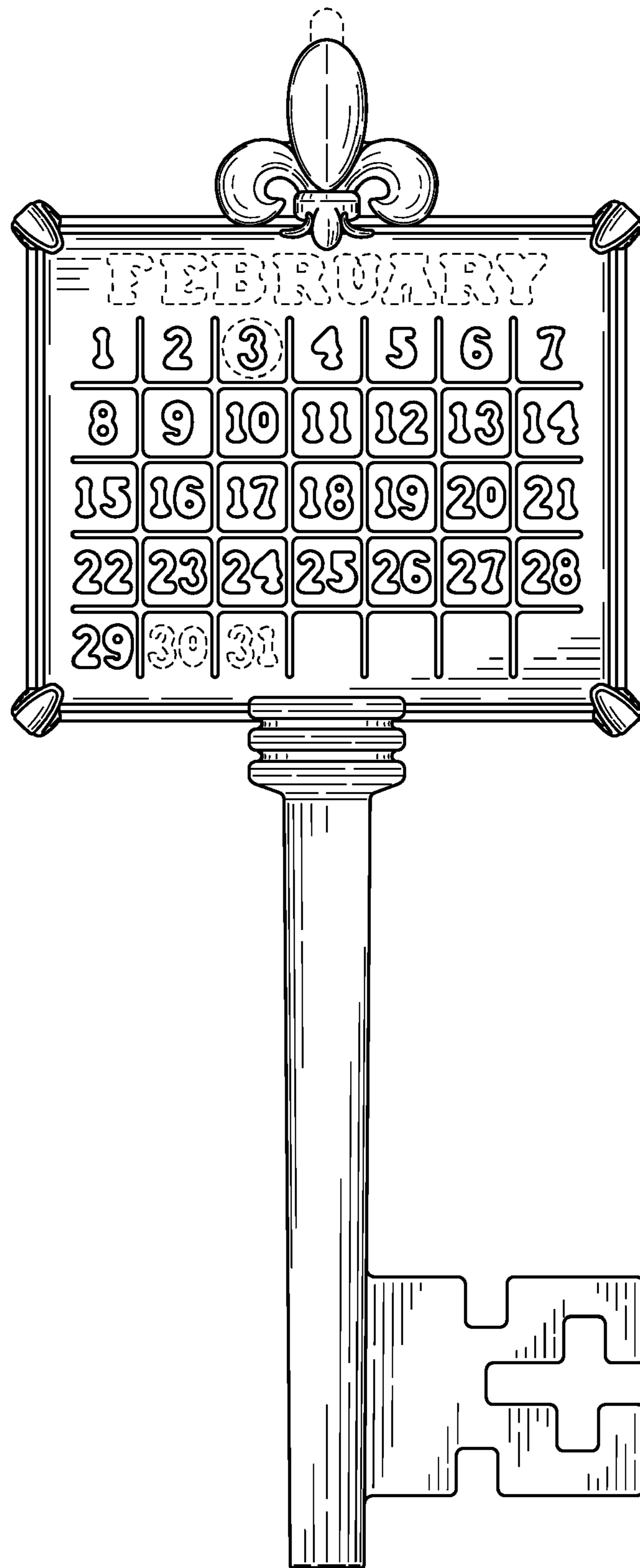


FIG. 2

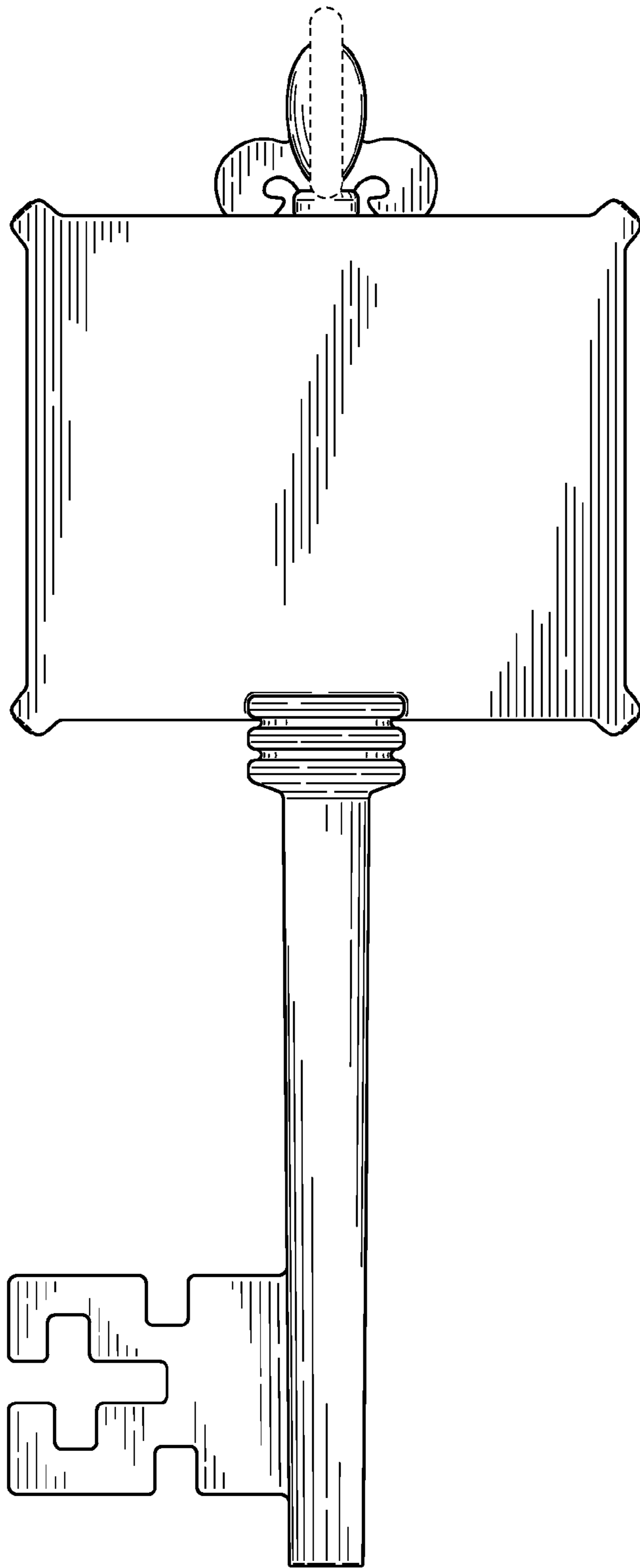


FIG. 3

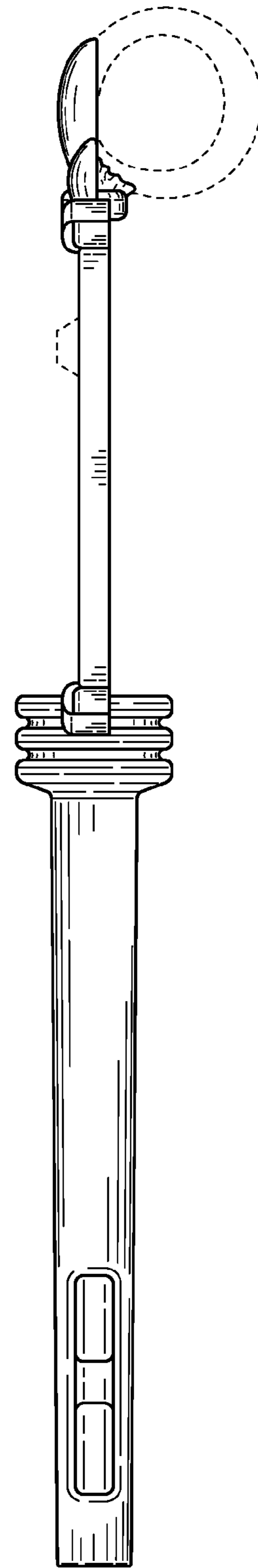


FIG. 4

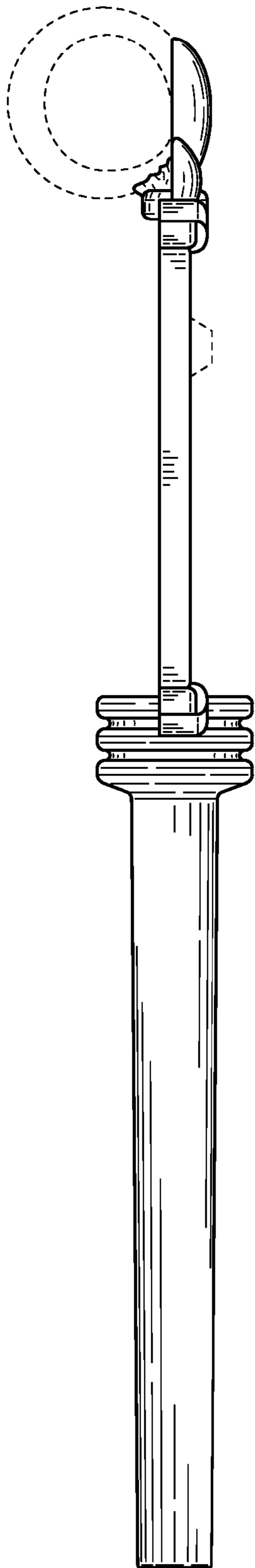


FIG. 5

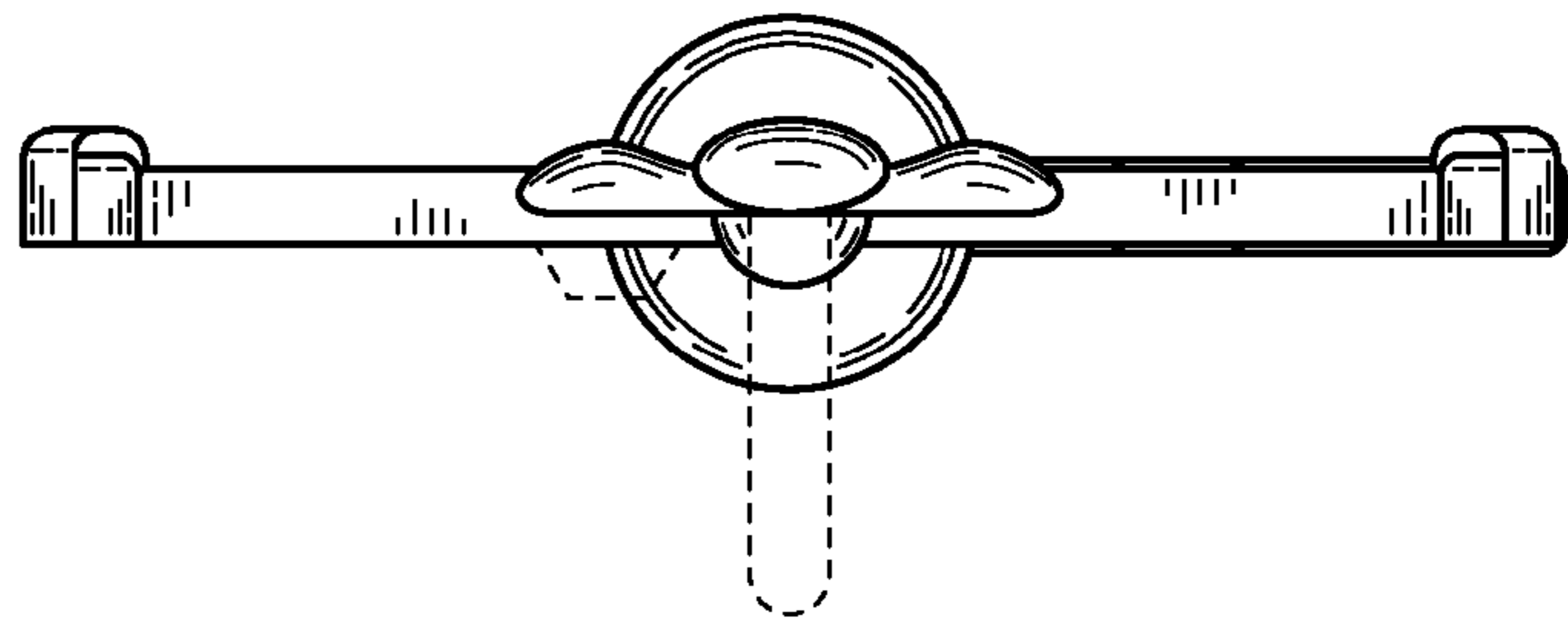


FIG. 6

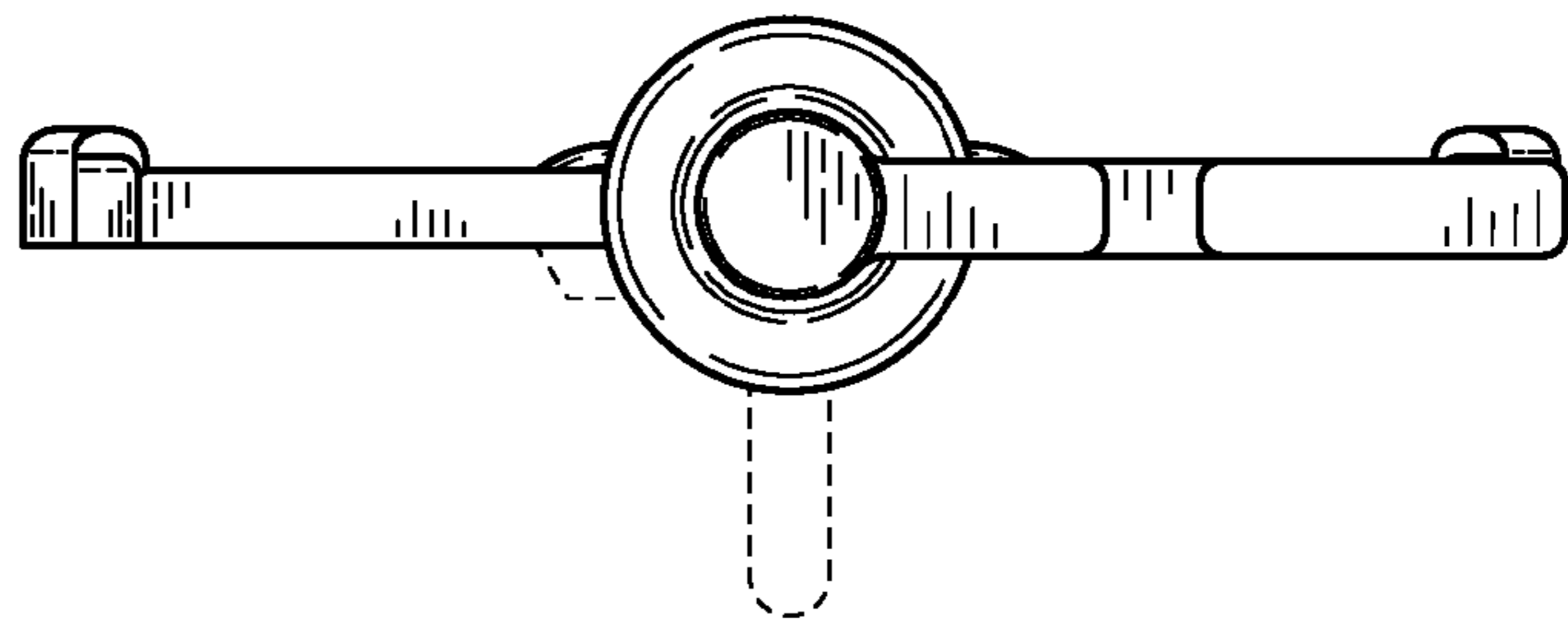


FIG. 7