



US00D605966S

(12) **United States Design Patent**  
**Weil**

(10) **Patent No.:** **US D605,966 S**

(45) **Date of Patent:** **\*\* Dec. 15, 2009**

(54) **ALARM SOUNDER/BEACON**

(75) Inventor: **Richard Weil**, Reigate (GB)

(73) Assignee: **Hosiden Besson Limited**, Hove, East Sussex (GB)

(\*\*) Term: **14 Years**

(21) Appl. No.: **29/302,762**

(22) Filed: **Jan. 24, 2008**

(51) **LOC (9) Cl.** ..... **10-05**

(52) **U.S. Cl.** ..... **D10/120; D10/114**

(58) **Field of Classification Search** ..... D10/116,  
D10/118, 120; D13/171, 174, 169; D8/350,  
D8/343, 305, 353; 200/310; 340/539.14,  
340/539.1, 384.4; 455/41.2

See application file for complete search history.

(56) **References Cited**

**U.S. PATENT DOCUMENTS**

D278,134 S \* 3/1985 Jenkins ..... D10/114  
D299,703 S \* 2/1989 Arai ..... D10/114  
D299,813 S \* 2/1989 Arai ..... D10/116

D300,730 S \* 4/1989 Arai ..... D10/116  
5,530,432 A \* 6/1996 Chen ..... 340/600  
D427,103 S \* 6/2000 Bryant, Jr. .... D10/113  
2008/0055098 A1 \* 3/2008 Toland ..... 340/628  
2009/0085727 A1 \* 4/2009 Yamano ..... 340/384.4

\* cited by examiner

*Primary Examiner*—Caron Veynar

*Assistant Examiner*—George D Kirschbaum

(74) *Attorney, Agent, or Firm*—Z. Peter Sawicki; Westman, Champlin & Kelly, P.A.

(57) **CLAIM**

The ornamental design for a alarm sounder/beacon, as shown and described.

**DESCRIPTION**

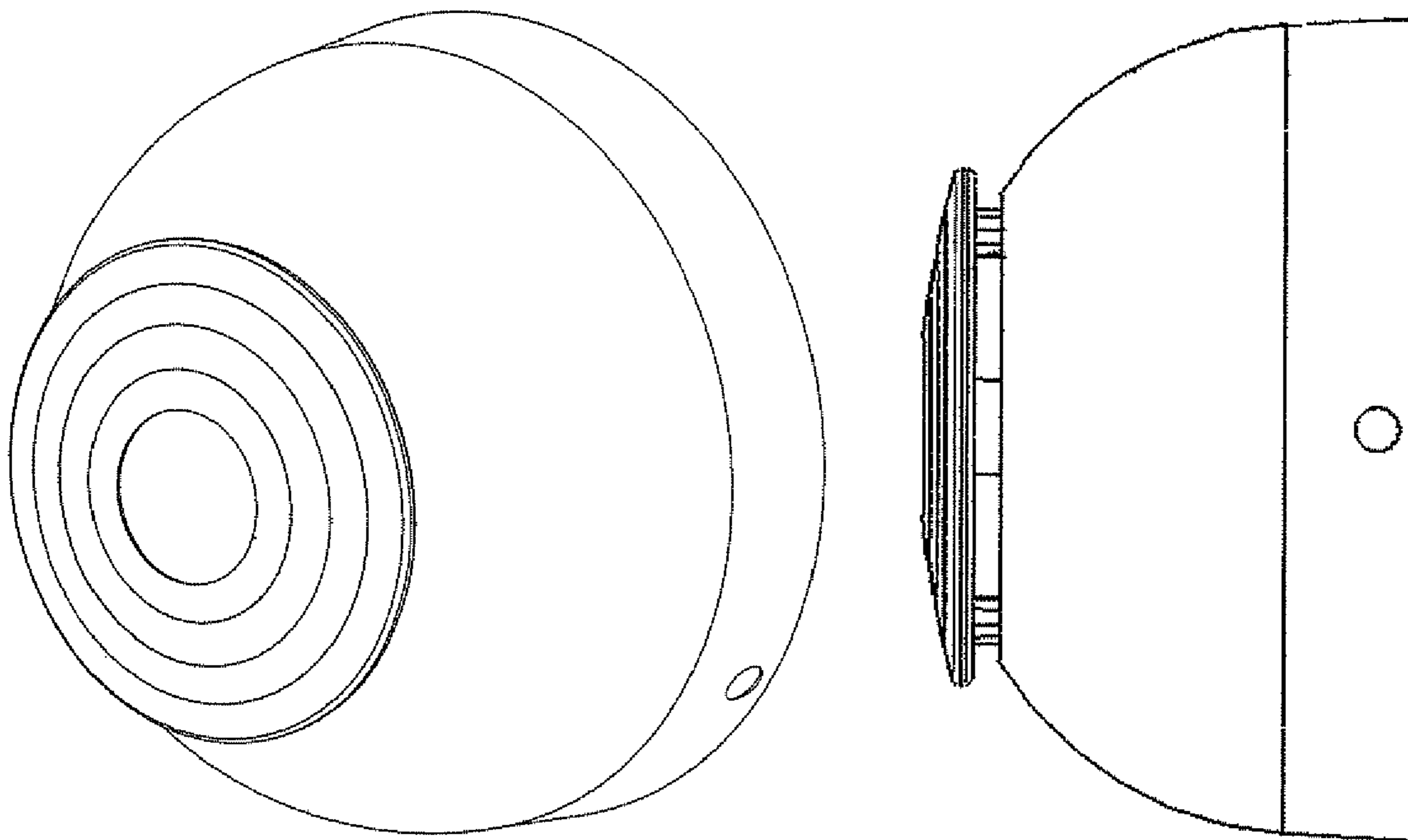
FIG. 1 is a perspective view of the exterior;

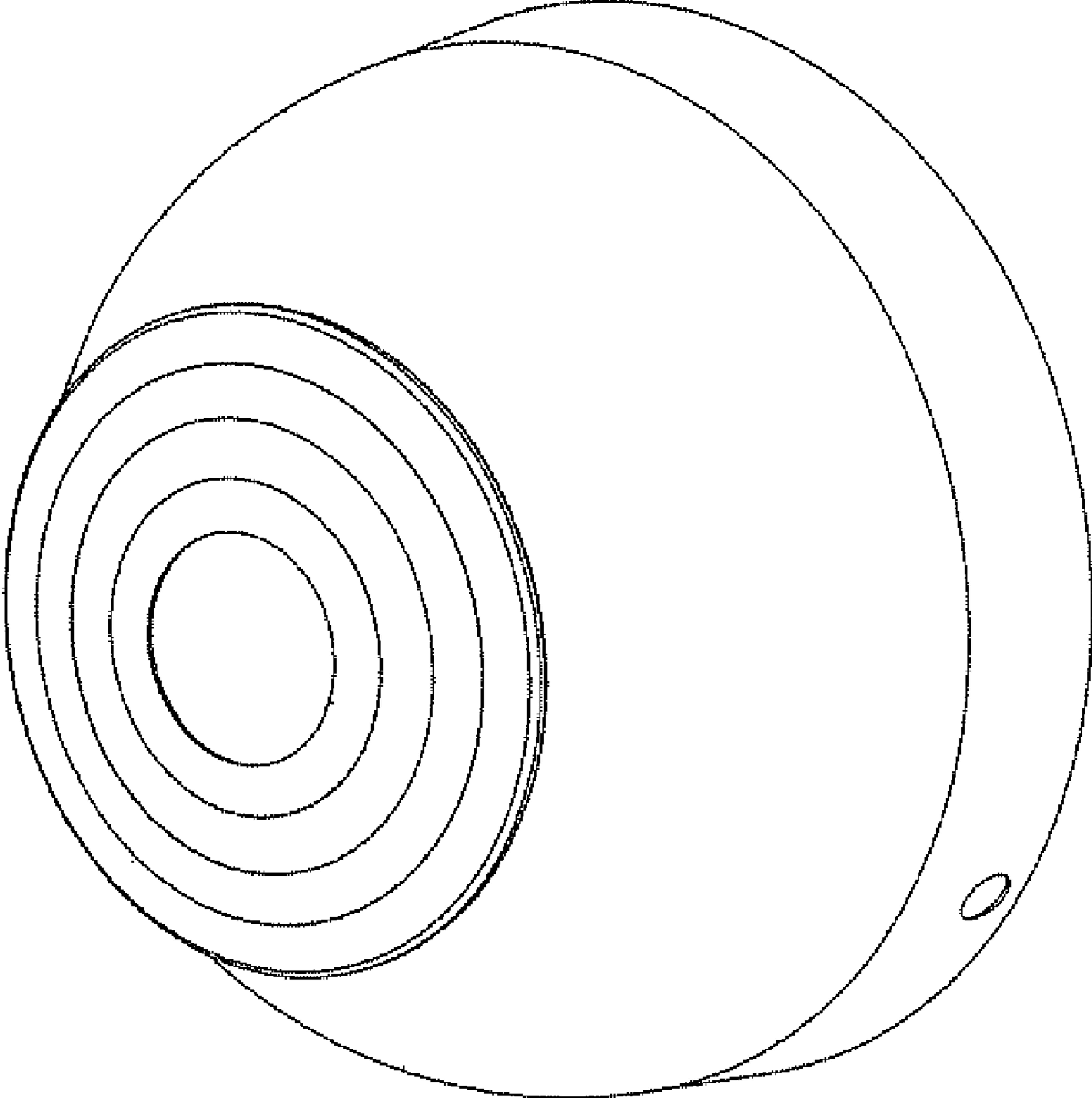
FIG. 2 is a top plan view;

FIG. 3 is a side view; and,

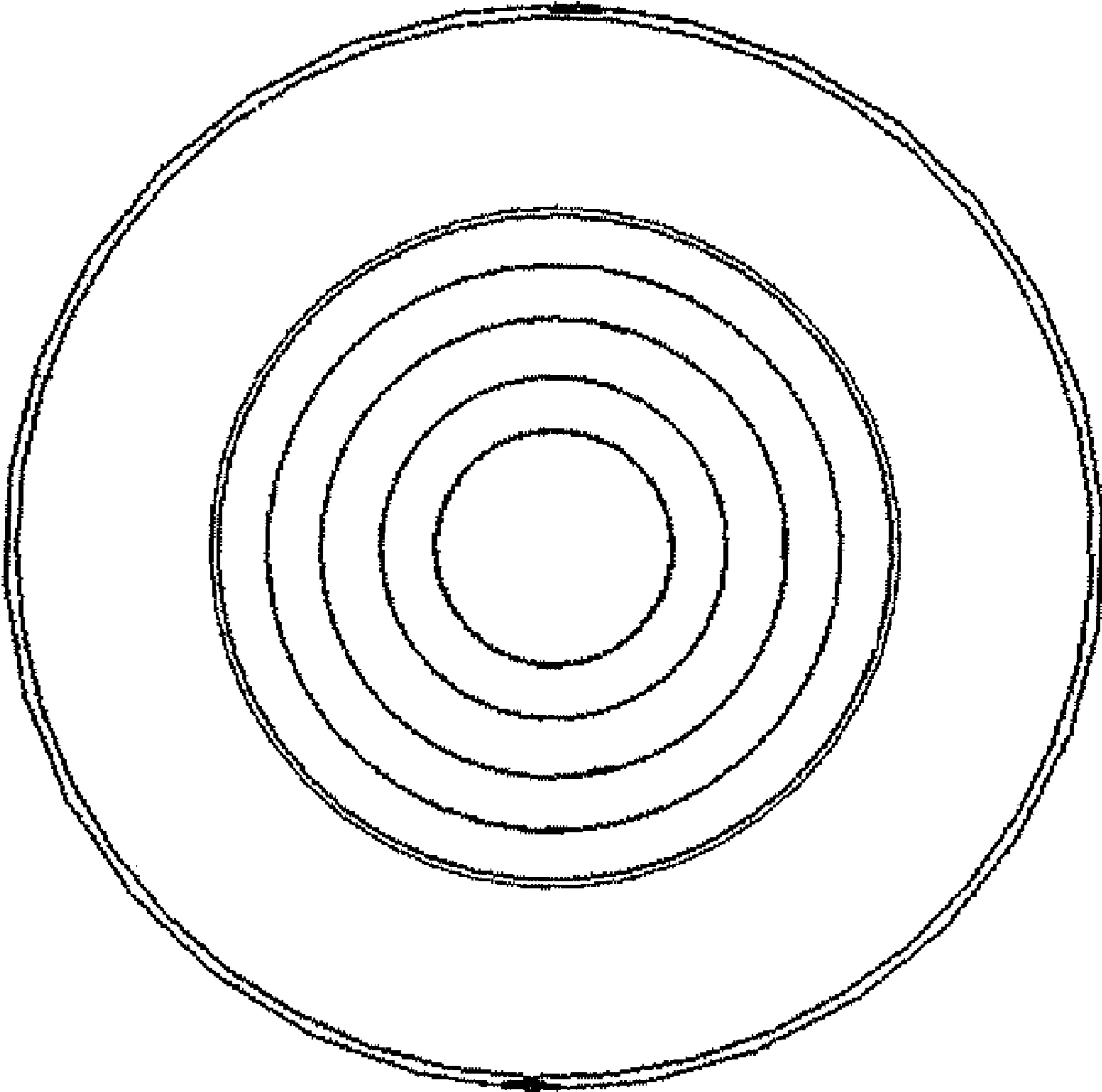
FIG. 4 is a perspective view of the interior illustrating at least one half of the interior which is symmetrical in appearance.

**1 Claim, 4 Drawing Sheets**





**FIG. 1**



**FIG. 2**

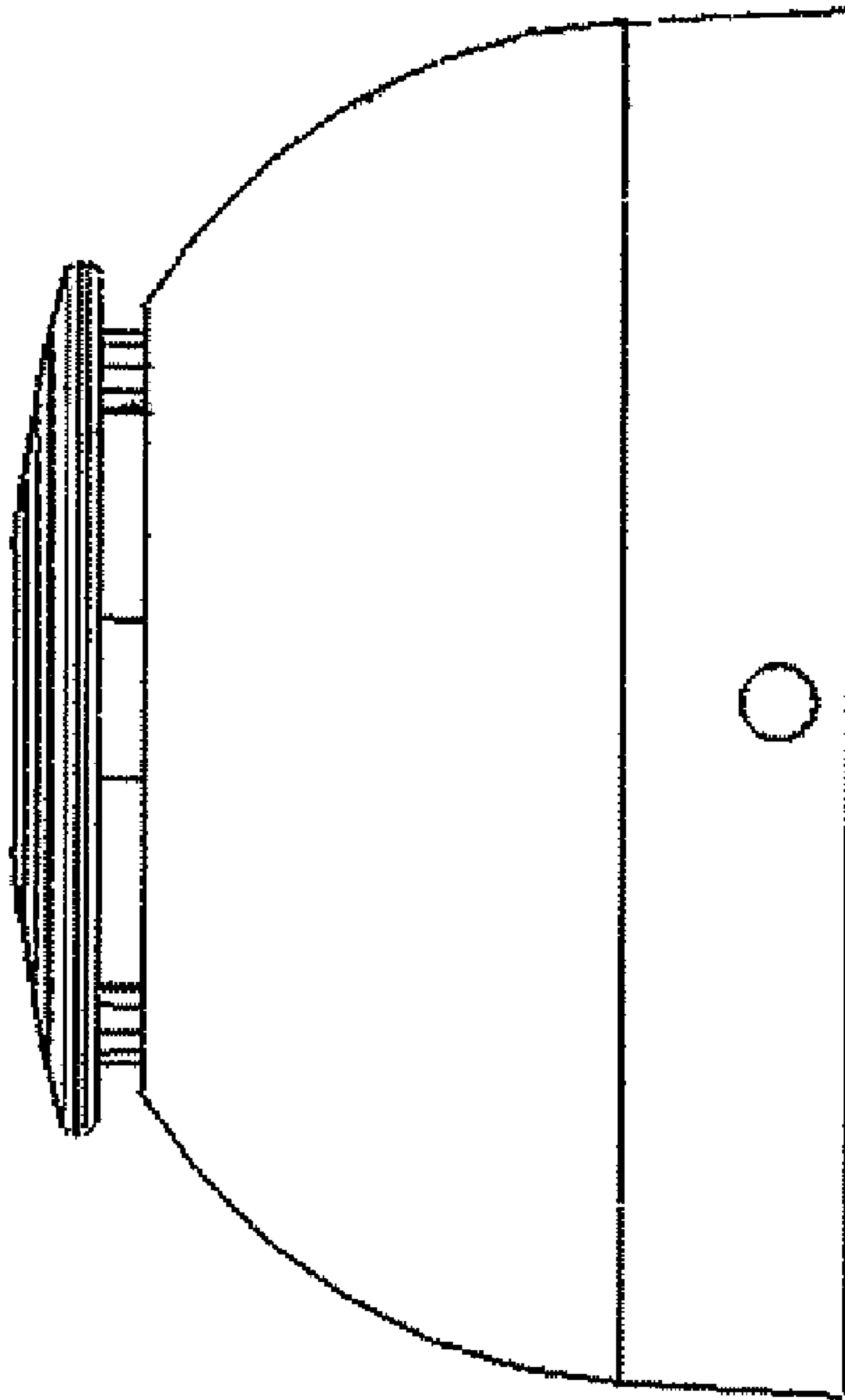
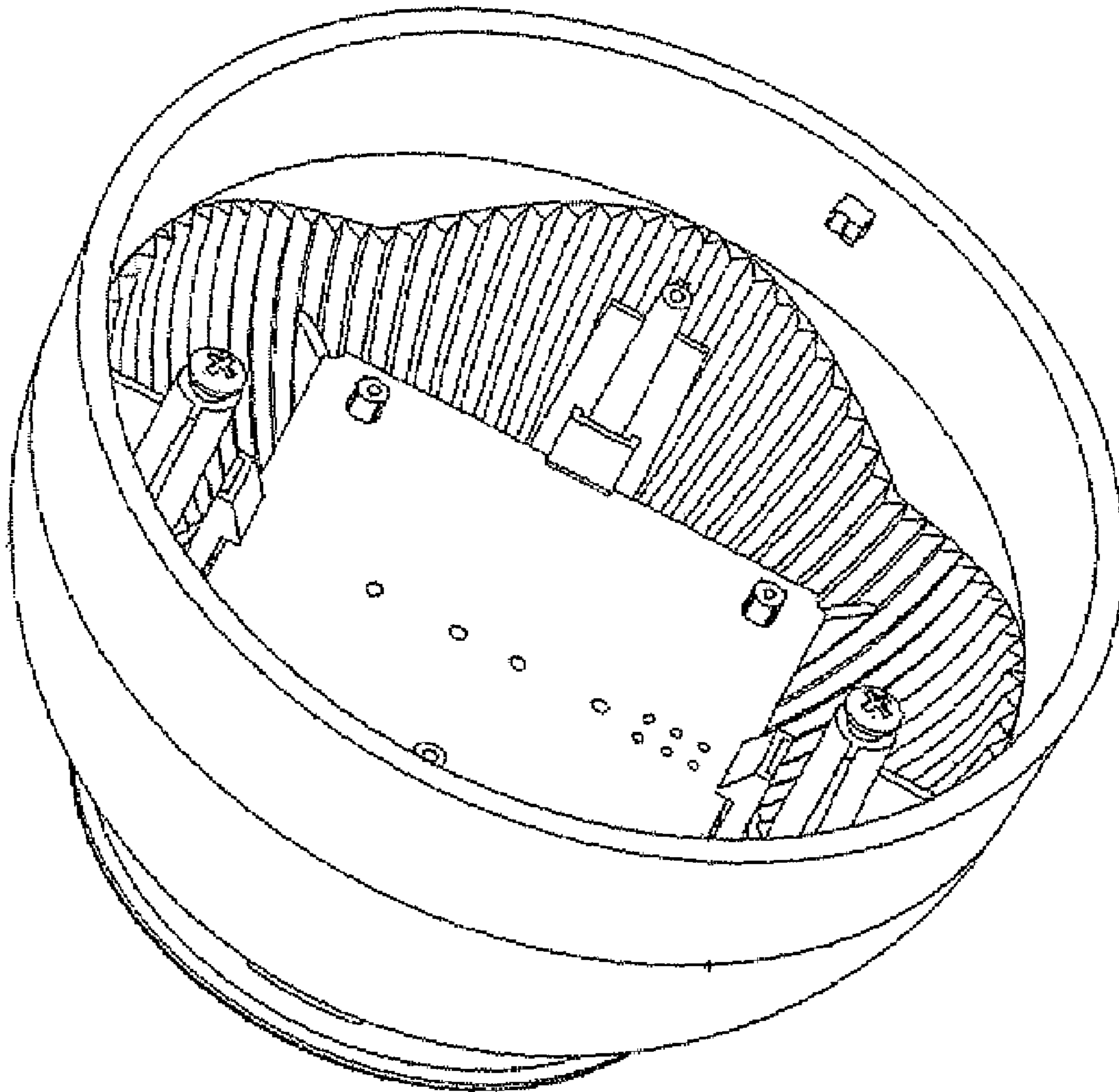


FIG. 3



**FIG. 4**