



US00D605962S

(12) **United States Design Patent**  
**Tsou et al.**

(10) **Patent No.:** **US D605,962 S**  
(45) **Date of Patent:** **\*\* Dec. 15, 2009**

(54) **PLUG METER**

(75) Inventors: **Yu-Ping Tsou**, Hsinchu (TW);  
**Cheng-Ting Lin**, Zhongli (TW)

(73) Assignee: **Industrial Technology Research Institute**, Chutung (TW)

(\*\*) Term: **14 Years**

(21) Appl. No.: **29/337,538**

(22) Filed: **May 25, 2009**

(30) **Foreign Application Priority Data**

May 5, 2009 (TW) ..... 98302029

(51) **LOC (9) Cl.** ..... **10-04**

(52) **U.S. Cl.** ..... **D10/100; D10/40**

(58) **Field of Classification Search** ..... D10/100,  
D10/40; 368/107-123; D13/138.1, 137.1,  
D13/137.3, 139.6, 162, 162.1, 139.1; 307/141,  
307/141.4; 200/33 R, 38 R, 38 D, 38 A,  
200/38 F; 702/61; 324/157, 142  
See application file for complete search history.

(56) **References Cited**

**U.S. PATENT DOCUMENTS**

4,253,151	A *	2/1981	Bouve	.....	700/295
D268,753	S *	4/1983	Fenne	.....	D13/137.3
D335,485	S *	5/1993	McPate	.....	D13/137.3
D343,133	S *	1/1994	Matuszewski	.....	D10/97
D343,803	S *	2/1994	Ouellette et al.	.....	D10/100
5,315,236	A *	5/1994	Lee	.....	324/157
D352,667	S *	11/1994	Chen	.....	D10/40
D353,782	S *	12/1994	Burton	.....	D10/78
D379,966	S *	6/1997	Gallagher	.....	D13/137.3
D389,753	S *	1/1998	Wan	.....	D10/40
5,811,966	A *	9/1998	Lee	.....	324/157

5,955,796	A *	9/1999	Nilssen	.....	307/140
6,095,850	A *	8/2000	Liu	.....	439/488
D430,499	S *	9/2000	Sakakibara et al.	.....	D10/100
6,226,600	B1 *	5/2001	Rodenberg et al.	.....	702/61
6,275,168	B1 *	8/2001	Slater et al.	.....	340/870.02
D458,864	S *	6/2002	Keeler et al.	.....	D10/99
D469,402	S *	1/2003	Bukiri	.....	D13/137.1
6,792,364	B2 *	9/2004	Jonker et al.	.....	702/61
D513,999	S *	1/2006	Echito et al.	.....	D10/40
7,043,380	B2 *	5/2006	Rodenberg et al.	.....	702/62
D525,152	S *	7/2006	Smith	.....	D10/40
D567,119	S *	4/2008	Ni et al.	.....	D10/40

\* cited by examiner

*Primary Examiner*—Lucy Lieberman

(74) *Attorney, Agent, or Firm*—Wang Law Firm, Inc.; Li K. Wang

(57) **CLAIM**

The ornamental design for a plug meter, as shown and described.

**DESCRIPTION**

FIG. 1 is a front and left side perspective view of a plug meter showing our new design;

FIG. 2 is a front elevational view thereof;

FIG. 3 is a rear elevational view thereof;

FIG. 4 is a left side elevational view thereof;

FIG. 5 is a right side elevational view thereof;

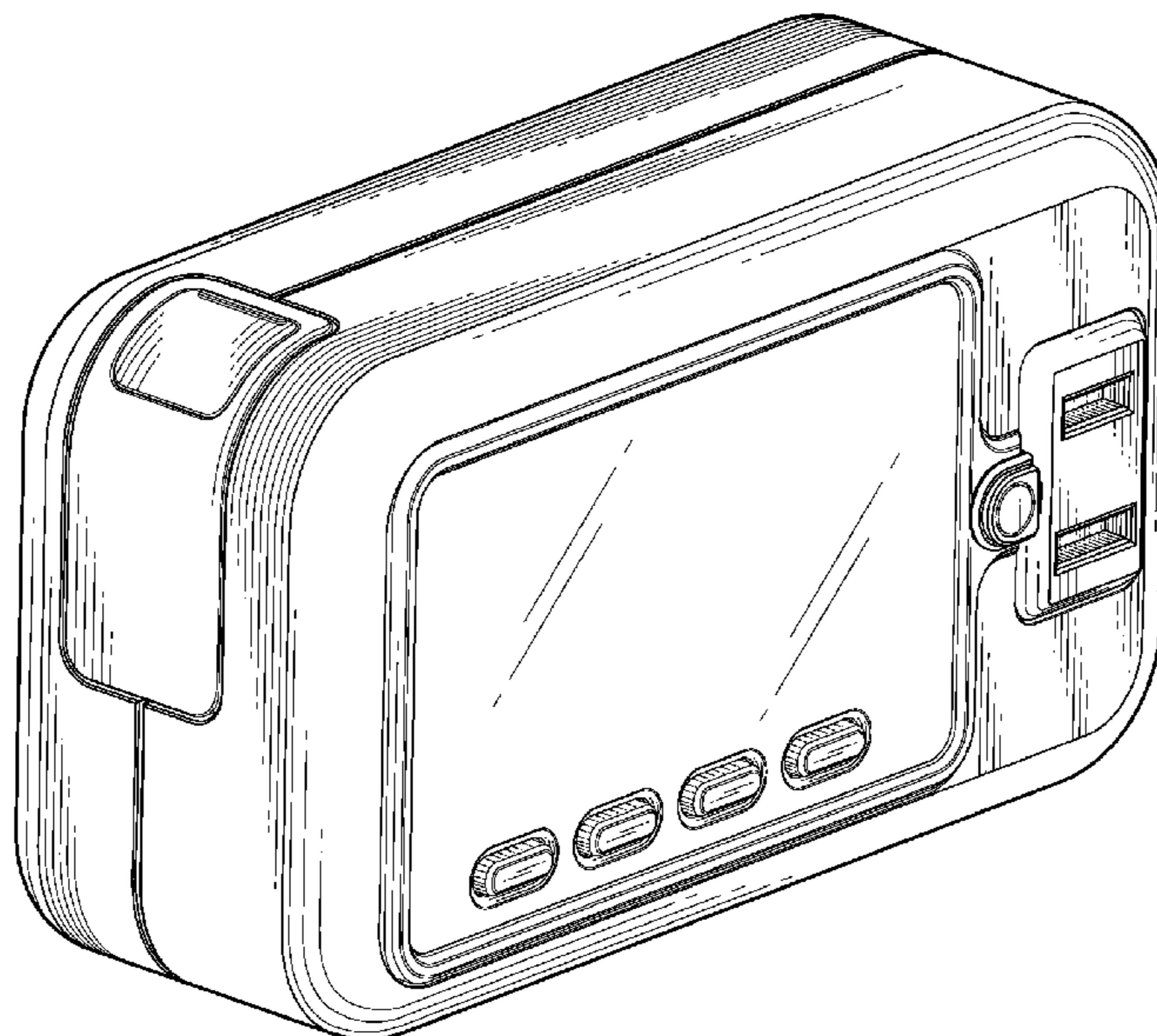
FIG. 6 is a top plan view thereof;

FIG. 7 is a bottom view thereof; and,

FIG. 8 is a front and right side perspective view of the plug meter.

The broken lines in the drawings are used to show portions of the plug meter that do not form part of the claimed design.

**1 Claim, 8 Drawing Sheets**



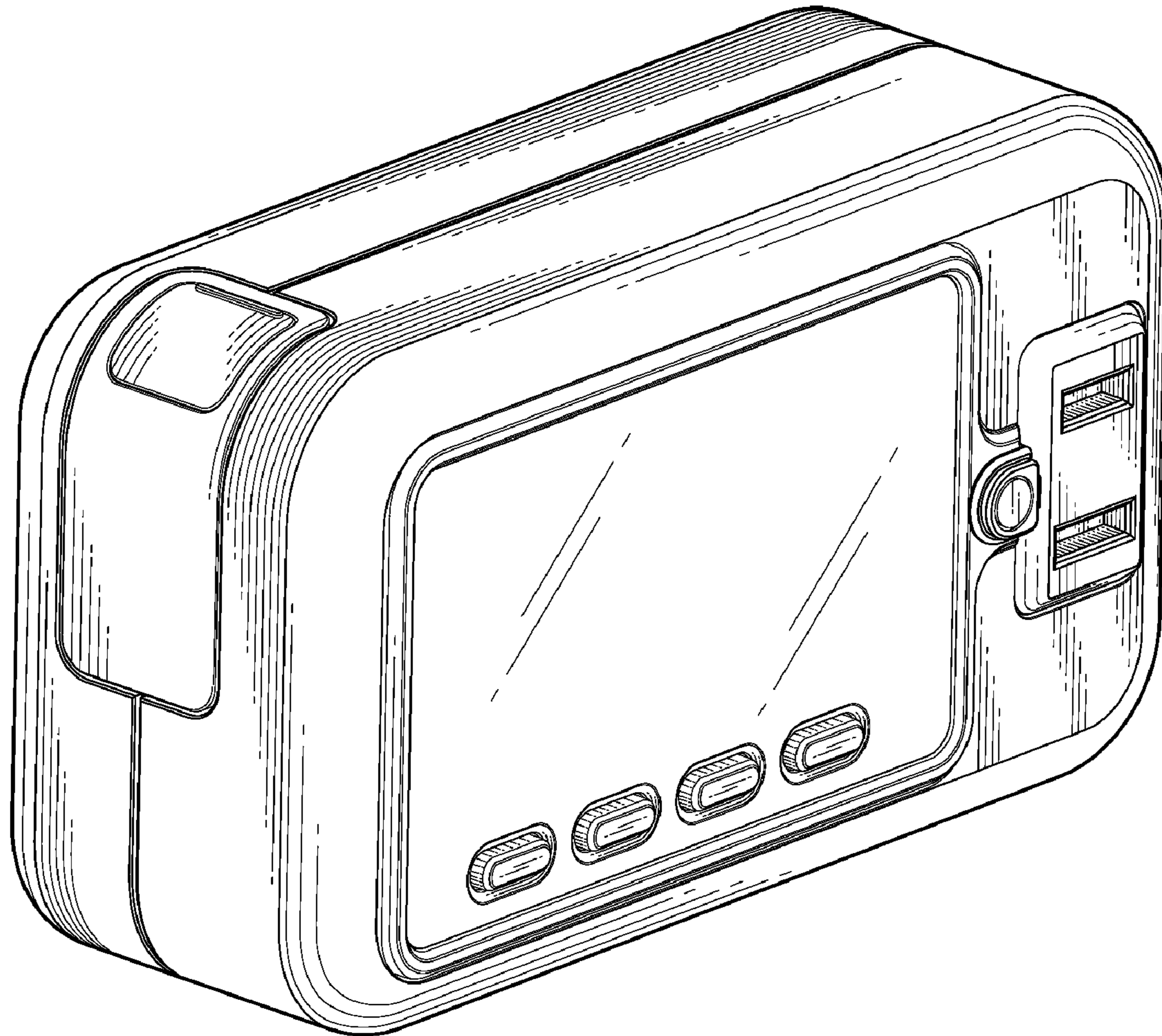


FIG. 1

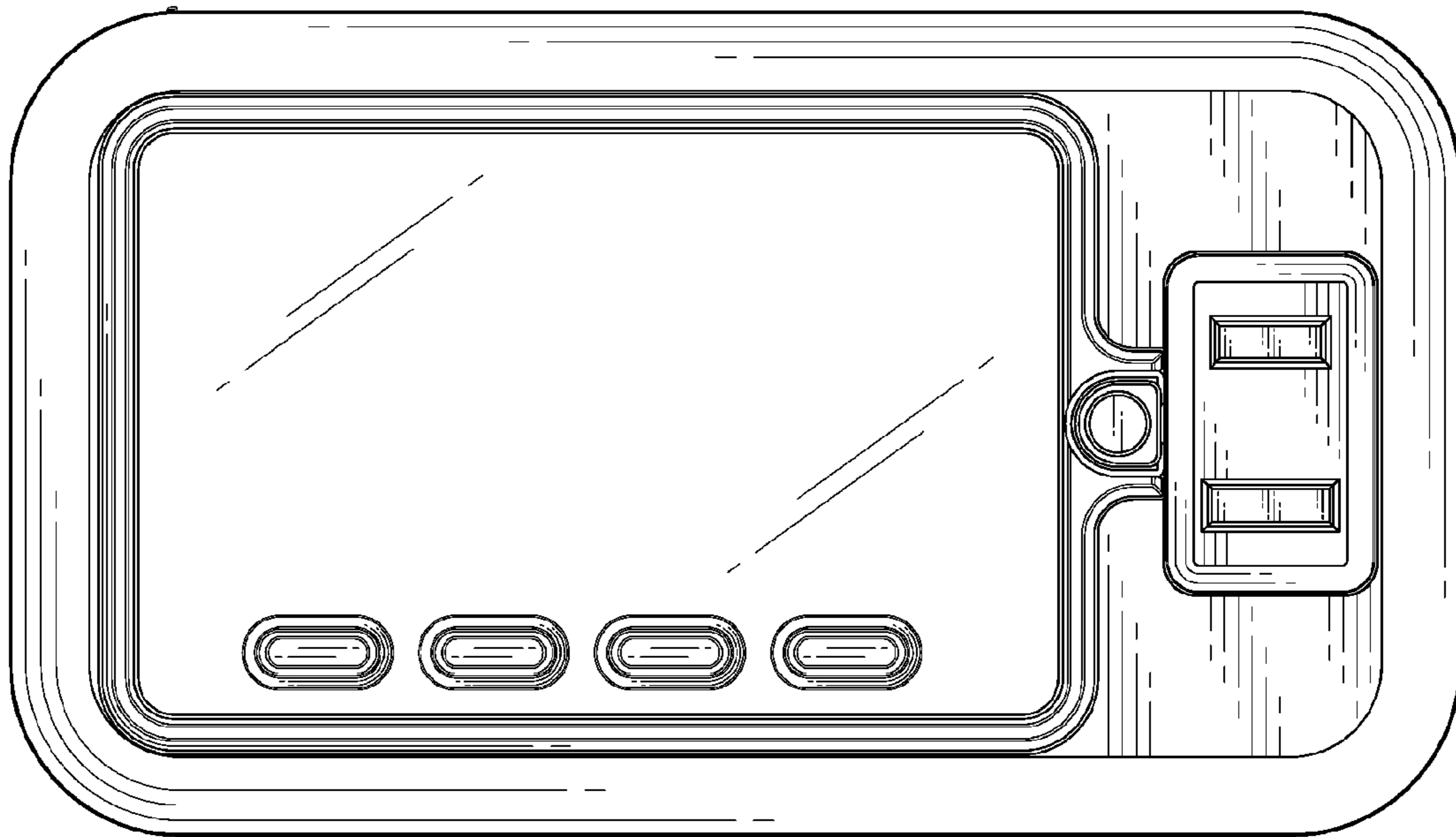


FIG. 2

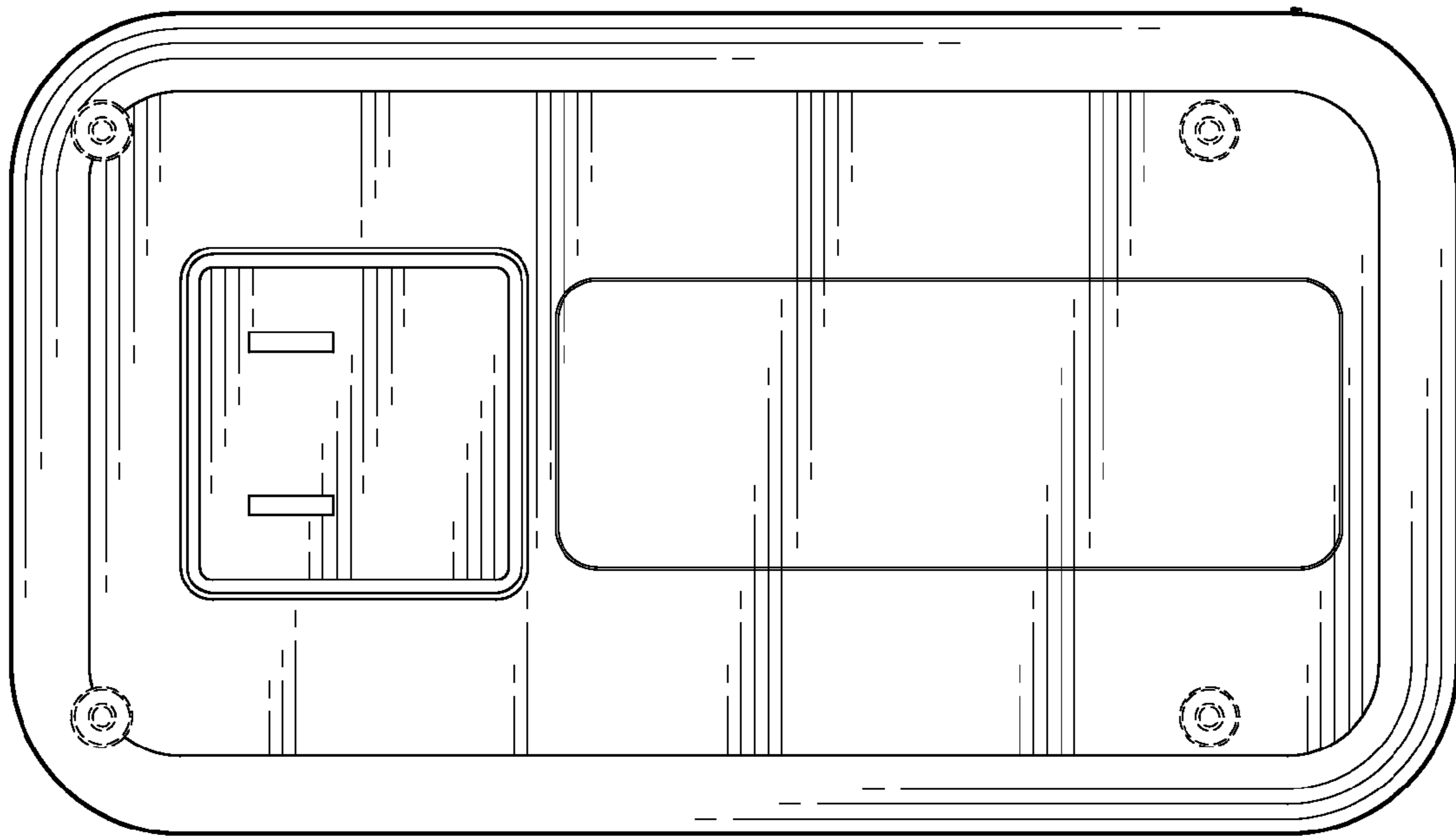


FIG. 3

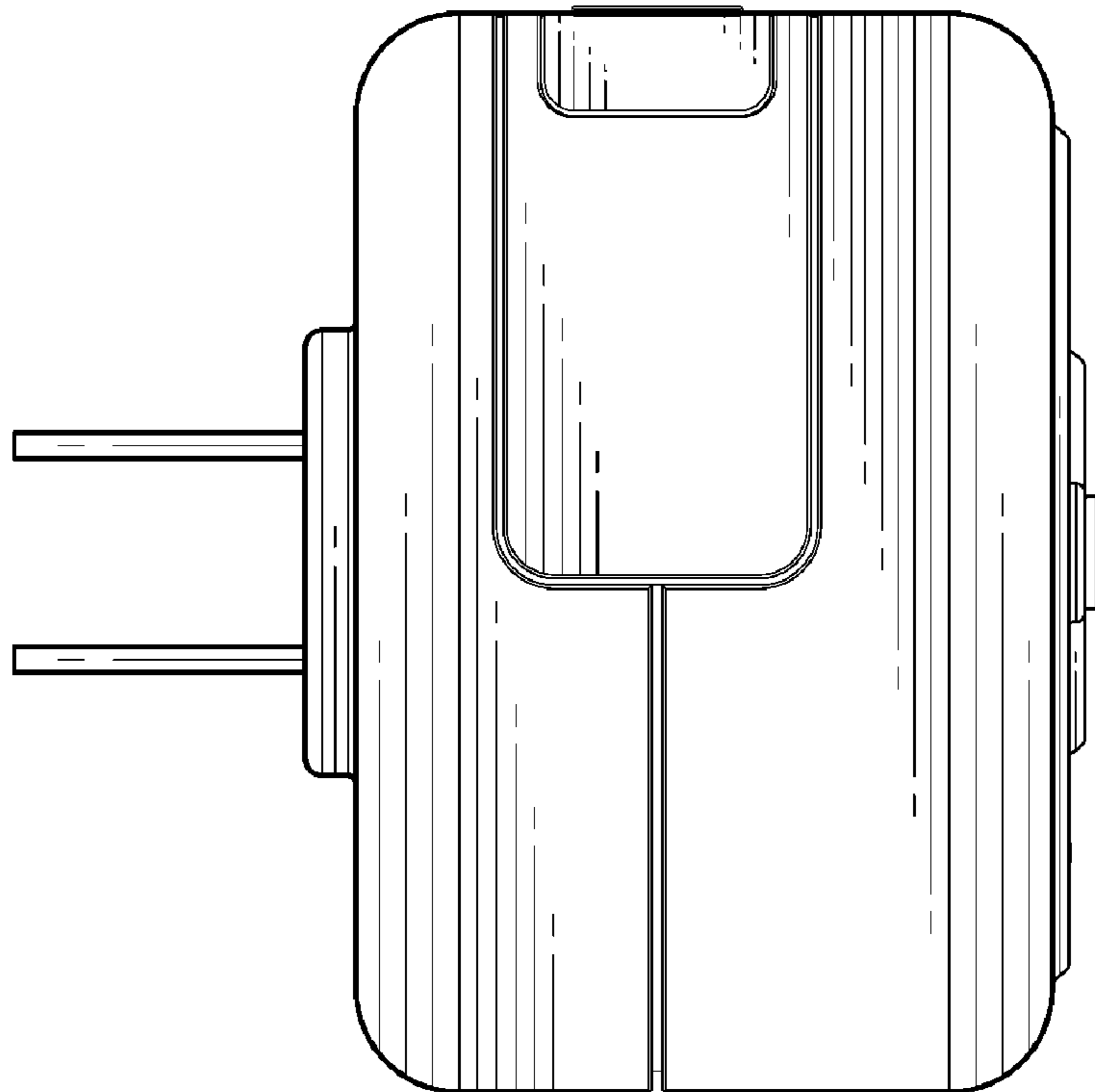


FIG. 4

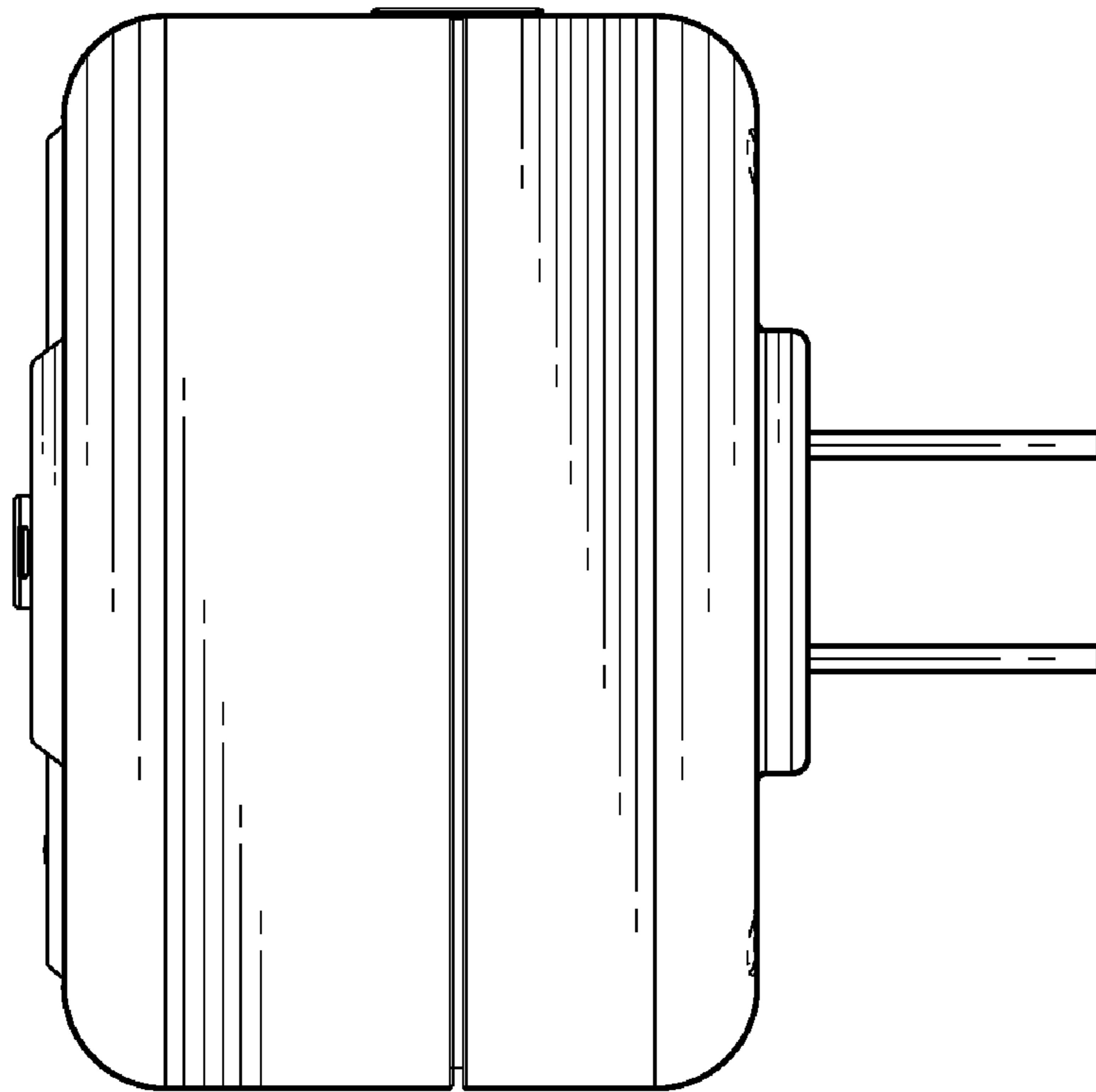


FIG. 5

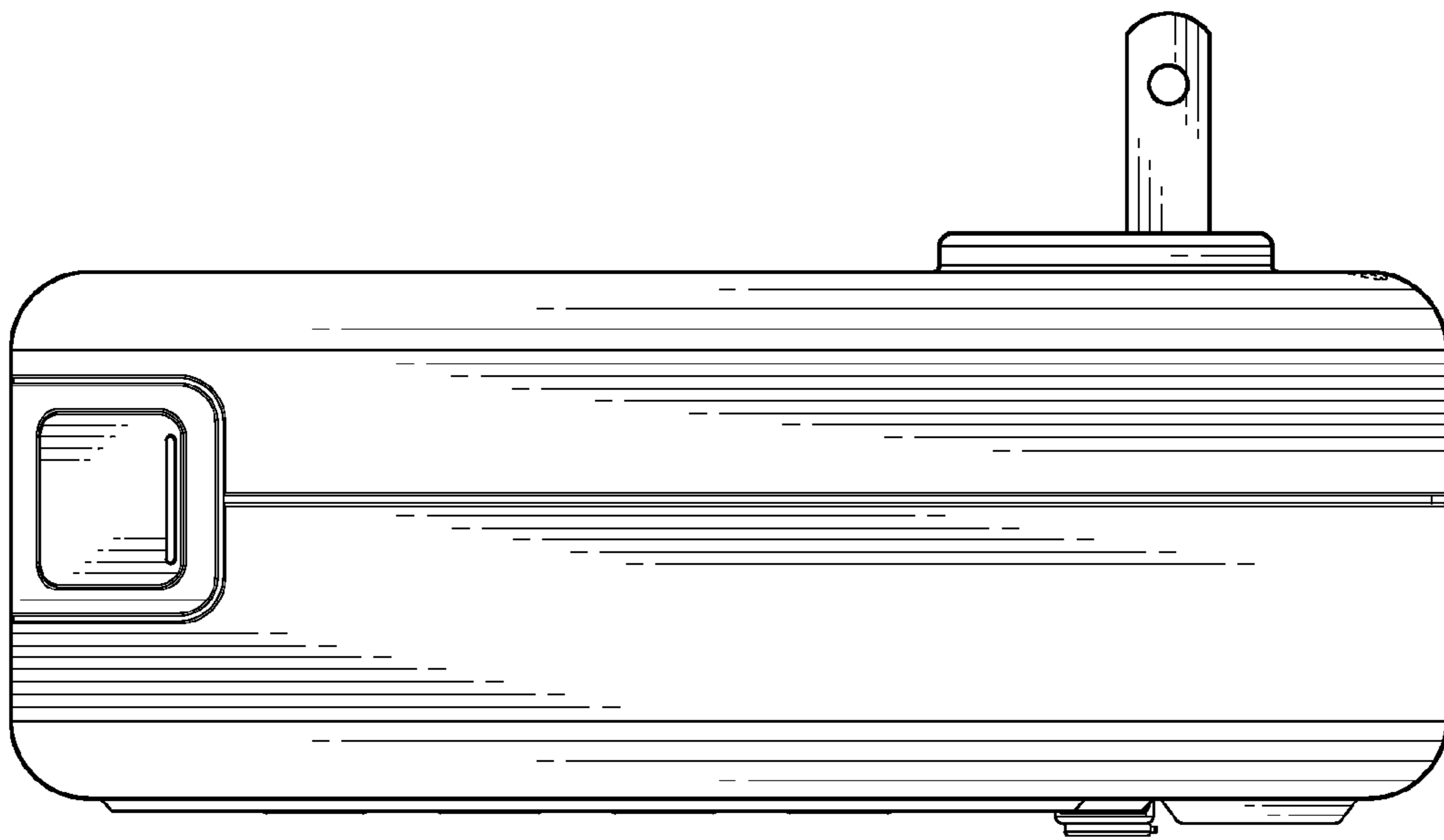


FIG. 6

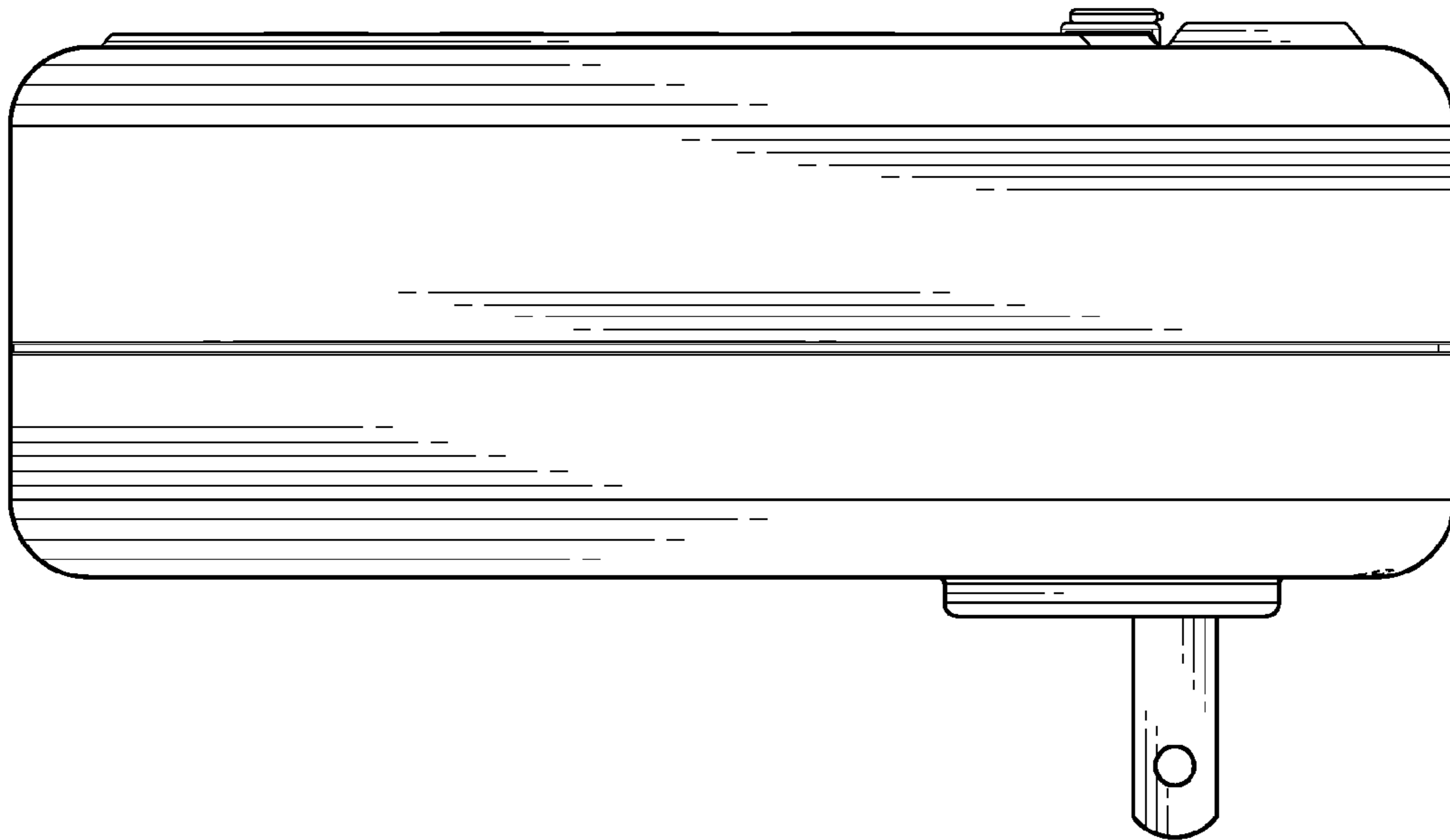


FIG. 7



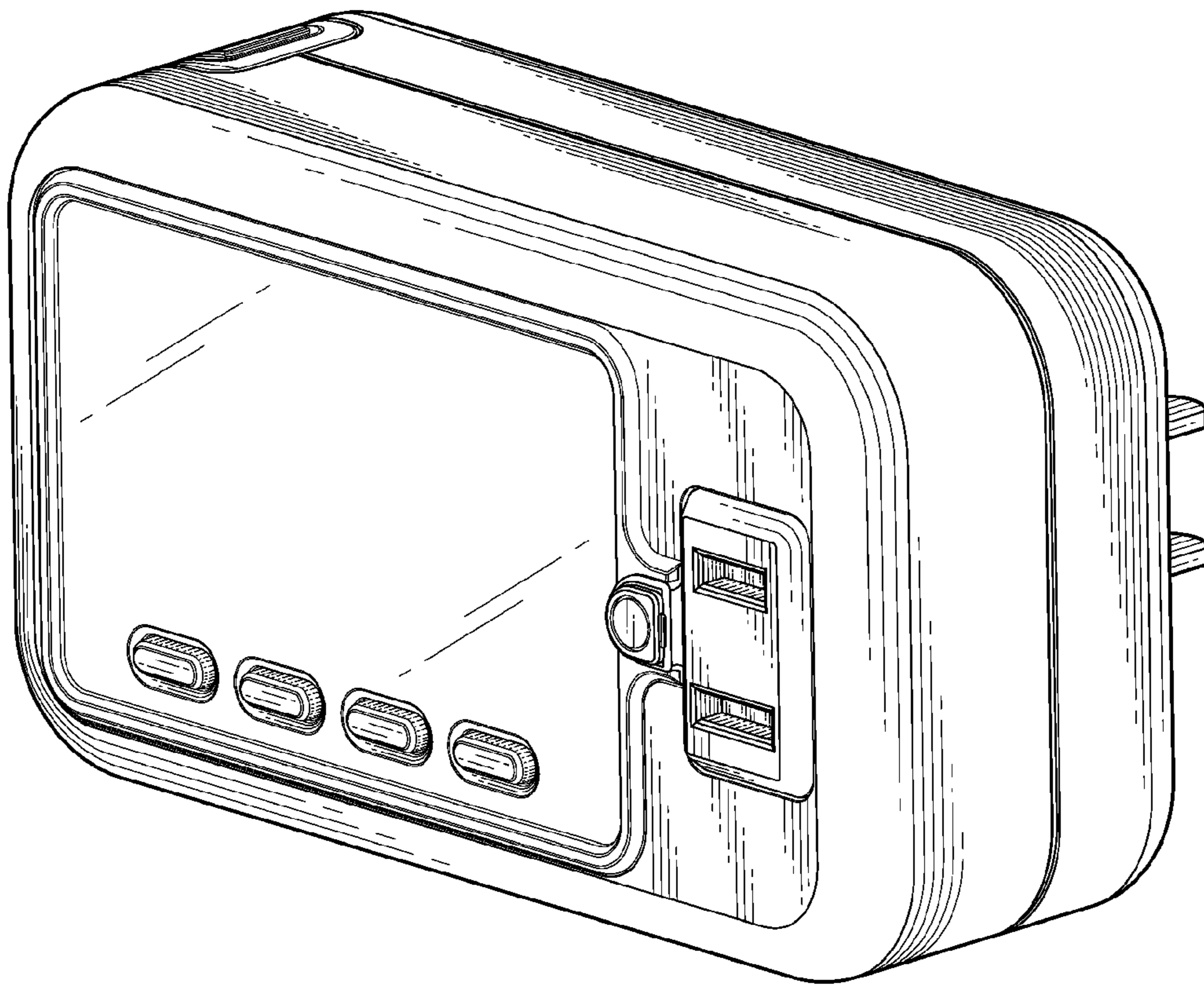


FIG. 8