



US00D605960S

(12) **United States Design Patent**  
**Allgood**

(10) **Patent No.:** **US D605,960 S**

(45) **Date of Patent:** **\*\* Dec. 15, 2009**

(54) **TRAILER LIGHTS CHECKER**

(76) Inventor: **Burton Allgood**, 319 N. Carrington Ave.,  
Buffalo, WV (US) 82834

(\*\*) Term: **14 Years**

(21) Appl. No.: **29/320,047**

(22) Filed: **Jun. 19, 2008**

(51) **LOC (9) Cl.** ..... **10-04**

(52) **U.S. Cl.** ..... **D10/78**

(58) **Field of Classification Search** ..... D10/78;  
324/503-504, 542, 133, 556; 340/458, 431,  
340/641, 687, 691.4; 439/35, 639

See application file for complete search history.

(56) **References Cited**

**U.S. PATENT DOCUMENTS**

4,884,032	A	11/1989	LaPensee
D351,802	S	10/1994	Tyler
5,416,421	A	5/1995	Doland, Sr. et al.
5,602,482	A	2/1997	Gutierrez

5,604,439	A	2/1997	Walkington et al.
5,990,788	A	11/1999	Syracuse
D574,279	S	* 8/2008	Prineppi ..... D10/78
D581,822	S	* 12/2008	Madison et al. .... D10/78

\* cited by examiner

*Primary Examiner*—Antoine D Davis

(74) *Attorney, Agent, or Firm*—Kyle Fletcher

(57) **CLAIM**

The ornamental design for a trailer lights checker, as shown and described.

**DESCRIPTION**

FIG. 1 is a front view of the device.

FIG. 2 is a rear view of the device.

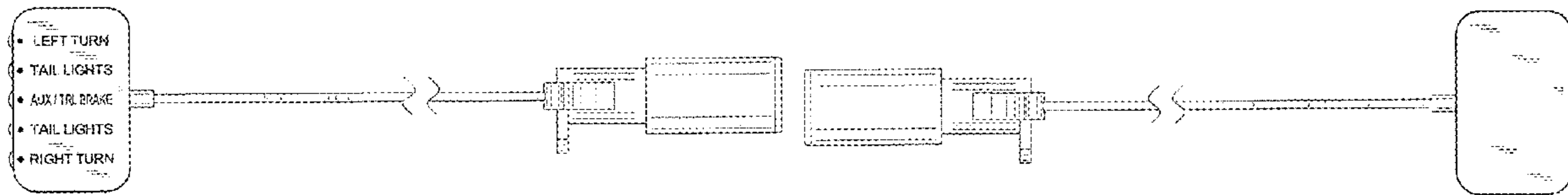
FIG. 3 is a left view of the device.

FIG. 4 is a right view of the device.

FIG. 5 is a top view of the device; and,

FIG. 6 is a bottom view of the device.

**1 Claim, 3 Drawing Sheets**



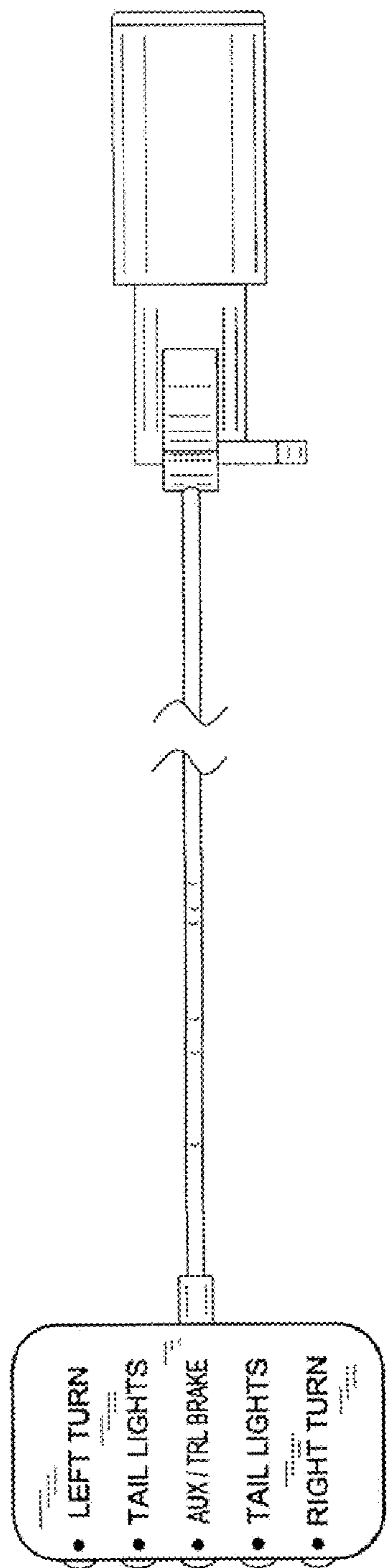


FIG. 1

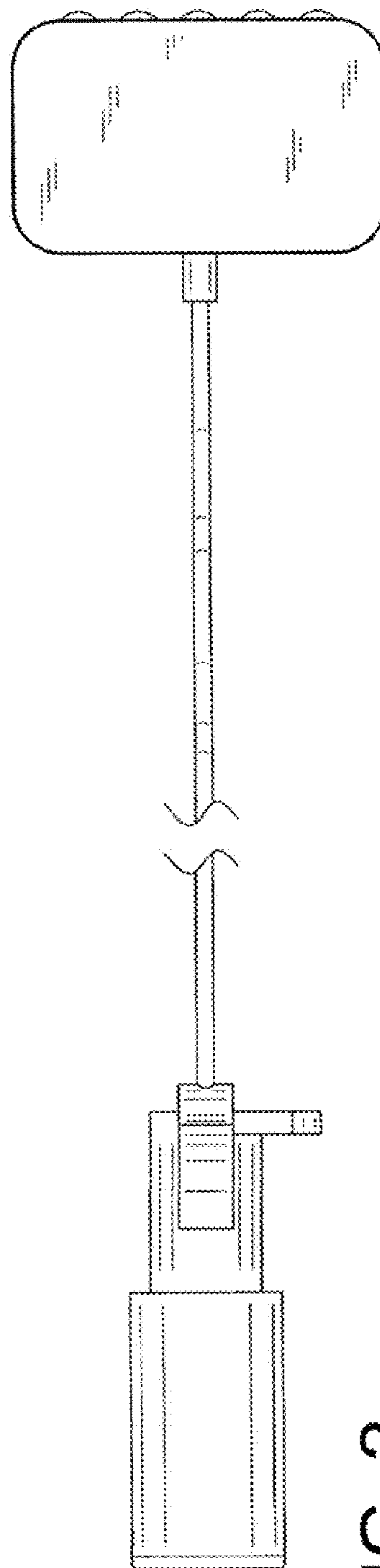


FIG. 2

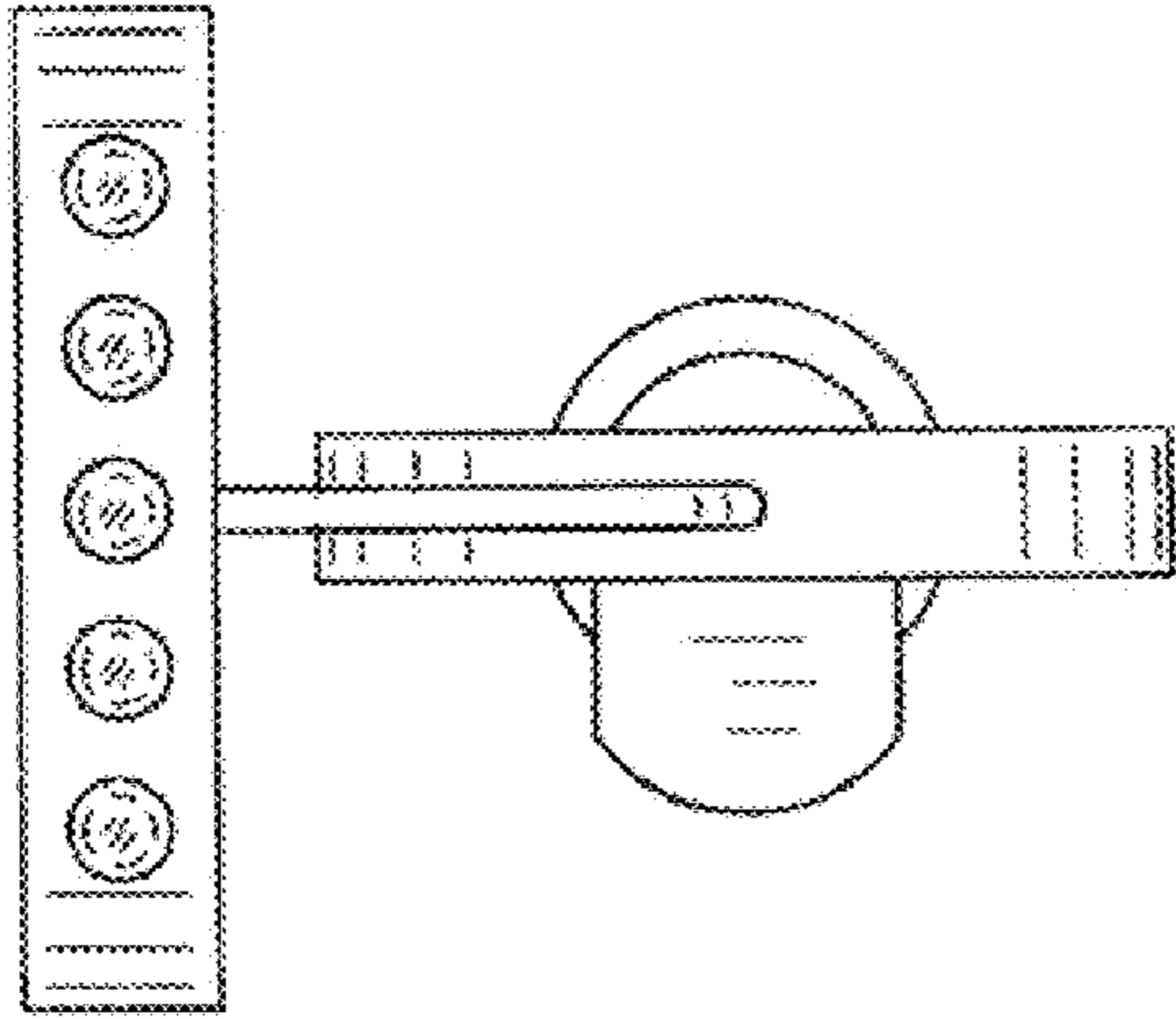


FIG. 3

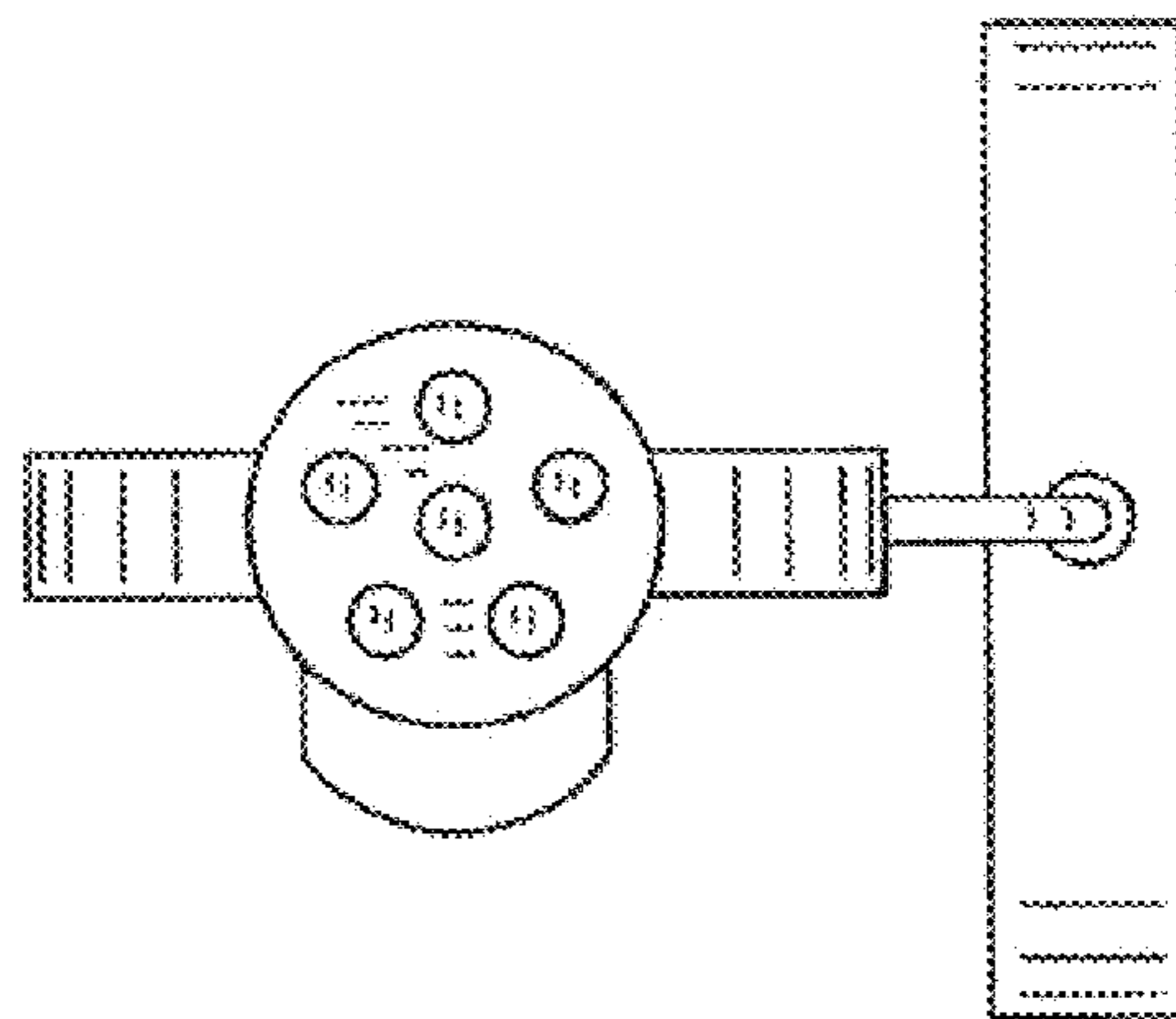


FIG. 4

