



US00D605959S

(12) **United States Design Patent**
Apothèloz

(10) **Patent No.:** **US D605,959 S**

(45) **Date of Patent:** **** Dec. 15, 2009**

(54) **LAND SURVEYING TOTAL STATION
MEASURING DEVICE**

Primary Examiner—Antoine D Davis
(74) *Attorney, Agent, or Firm*—Abelman, Frayne & Schwab

(75) **Inventor:** **Christophe Apothèloz, Zürich (CH)**

(57) **CLAIM**

(73) **Assignee:** **Leica Geosystems AG, Heerbrugg (CH)**

The ornamental design for a land surveying total station measuring device, as shown and described.

(**) **Term:** **14 Years**

(21) **Appl. No.:** **29/313,592**

(22) **Filed:** **Jan. 23, 2009**

(30) **Foreign Application Priority Data**

Jul. 23, 2008 (WO) DM/070 668

(51) **LOC (9) Cl.** **10-04**

(52) **U.S. Cl.** **D10/66; D10/69**

(58) **Field of Classification Search** D10/66,
D10/69; 33/276, 277, 281, 285, 286, 290,
33/291–299, DIG. 21; 340/539, 825.36,
340/825.46, 825.49; 356/5.15, 4.01, 5.01,
356/4.05, 5.05–5.09, 5.12, 28.5, 345, 375,
356/3.01, 128–155, 399–400; 385/83, 97–99,
385/134–139; 701/211–213, 150, 158; 264/1.24–1.25
See application file for complete search history.

(56) **References Cited**

U.S. PATENT DOCUMENTS

D526,588 S *	8/2006	Johansson et al.	D10/66
D558,075 S *	12/2007	Ishii	D10/66
D576,062 S *	9/2008	Hayamizu et al.	D10/66
7,552,539 B2 *	6/2009	Piekutowski	33/286
7,564,488 B2 *	7/2009	Kumagai et al.	348/240.3
7,583,373 B2 *	9/2009	Schwarz	356/141.2

* cited by examiner

DESCRIPTION

FIG. 1 is a rear elevational view of the land surveying total station measuring device showing my new design fitted with a first display panel;

FIG. 2 is a right side elevational view thereof;

FIG. 3 is a top plan view thereof;

FIG. 4 is a left side elevational view thereof;

FIG. 5 is a bottom view thereof;

FIG. 6 is a front elevational view thereof;

FIG. 7 is a rear elevational view of an alternate embodiment thereof fitted with two display panels;

FIG. 8 is a right side elevational view of the alternate embodiment thereof;

FIG. 9 is a top plan view of the alternate embodiment thereof;

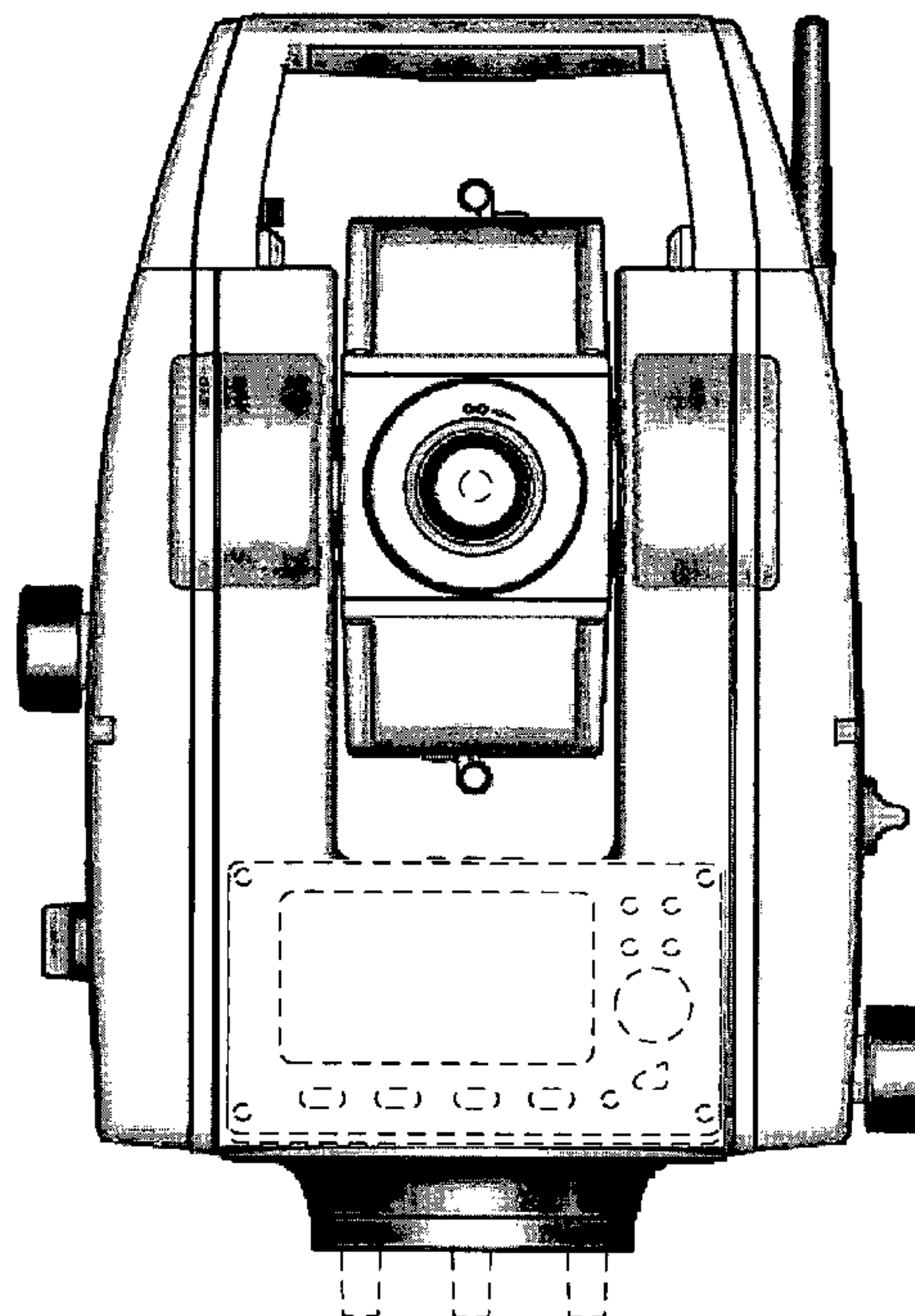
FIG. 10 is a left side elevational view of the alternate embodiment thereof;

FIG. 11 is a bottom view of the alternate embodiment thereof; and,

FIG. 12 is a front elevational view of the alternate embodiment thereof.

The broken line showing of structural features is included for the purpose of illustrating non-claimed subject matter and forms no part of the claimed design.

1 Claim, 12 Drawing Sheets



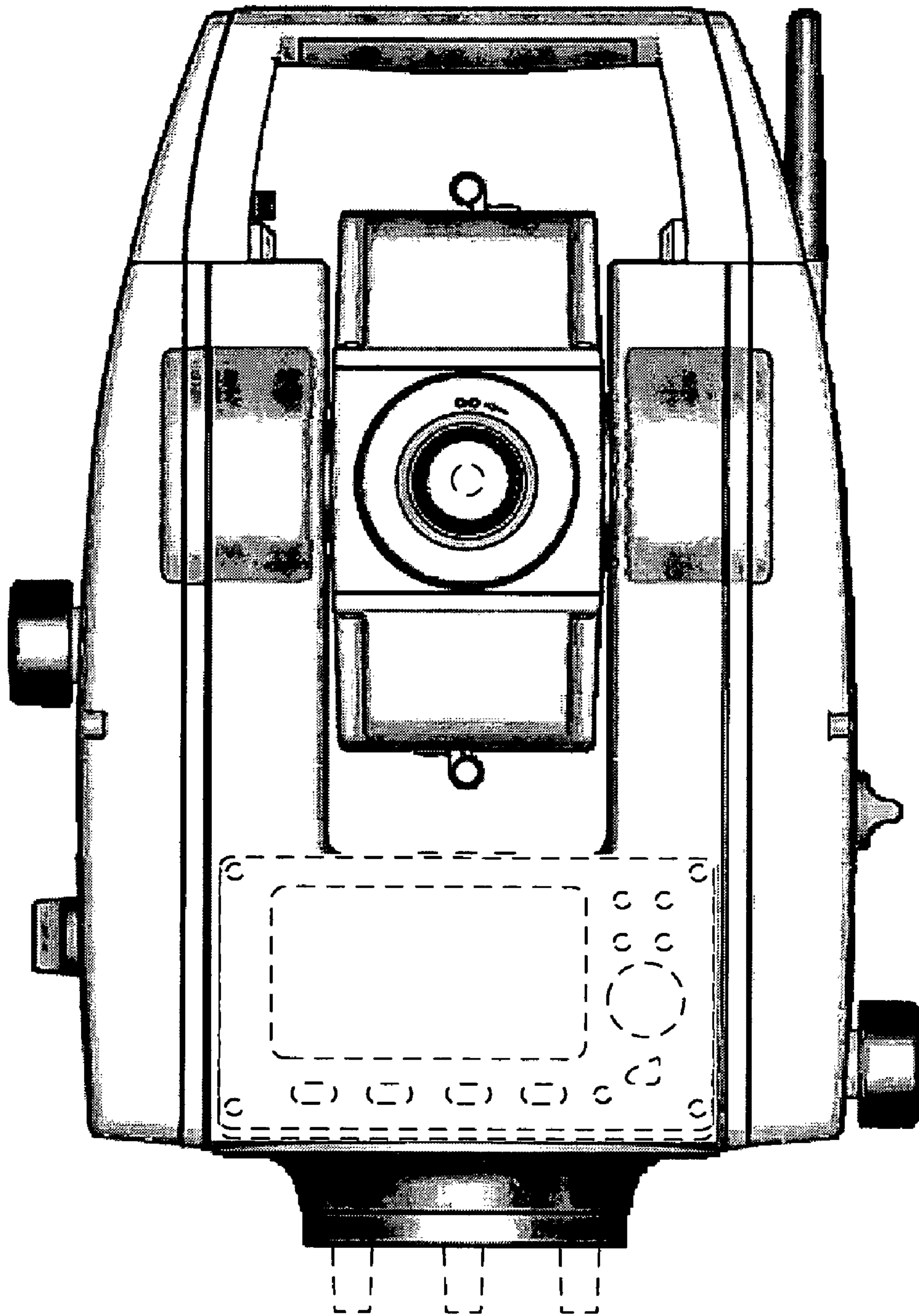


FIG. 1

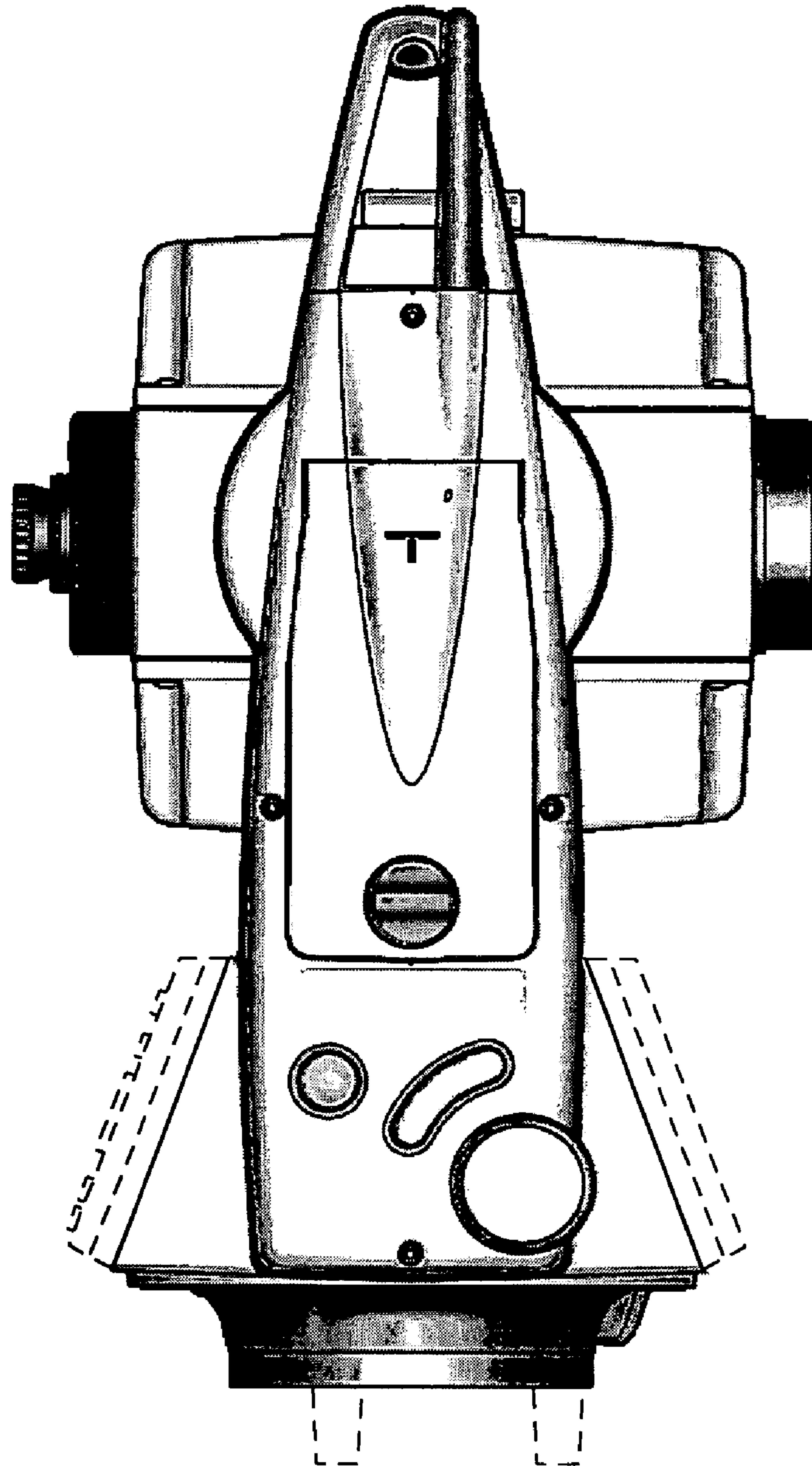


FIG. 2

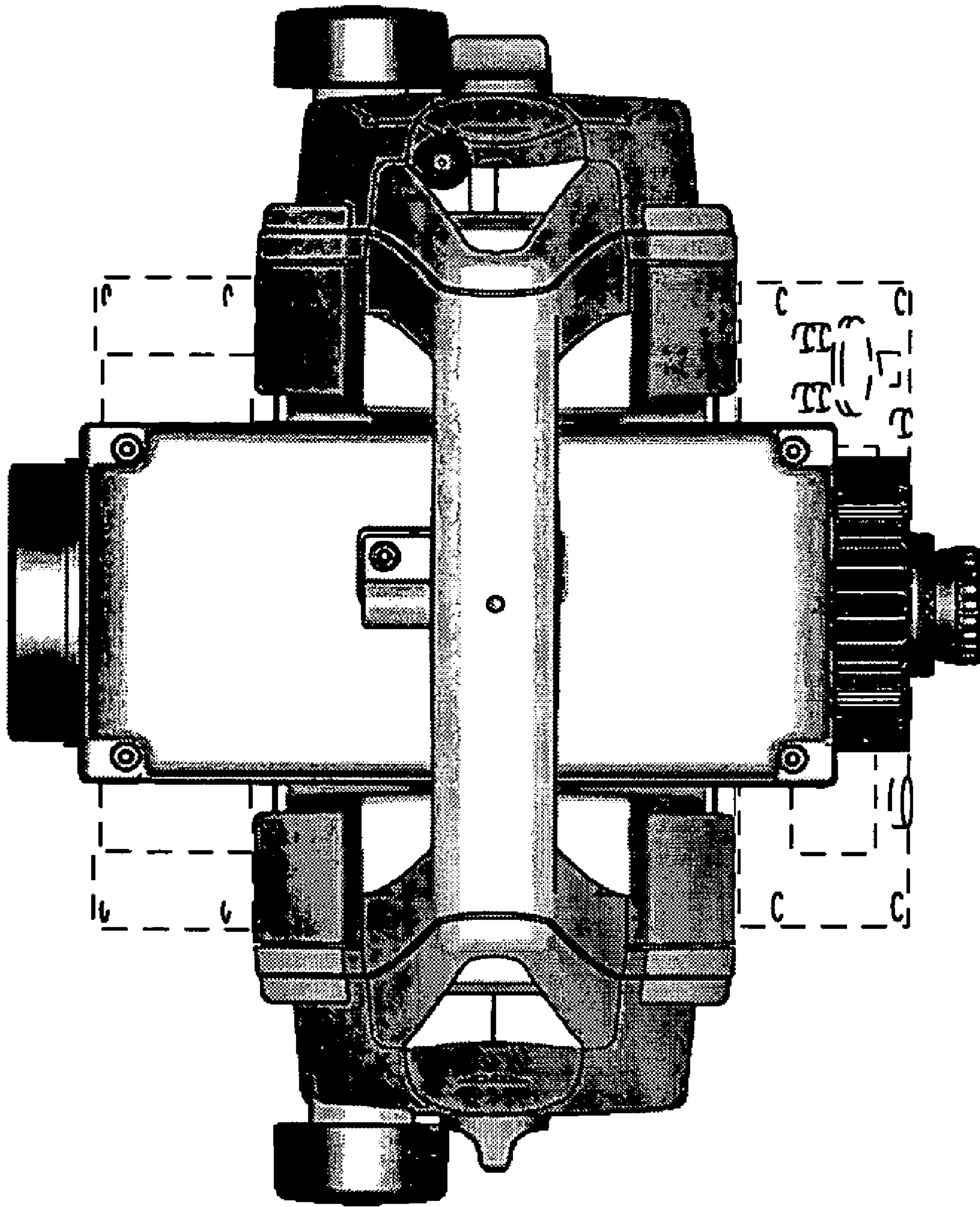


FIG. 3

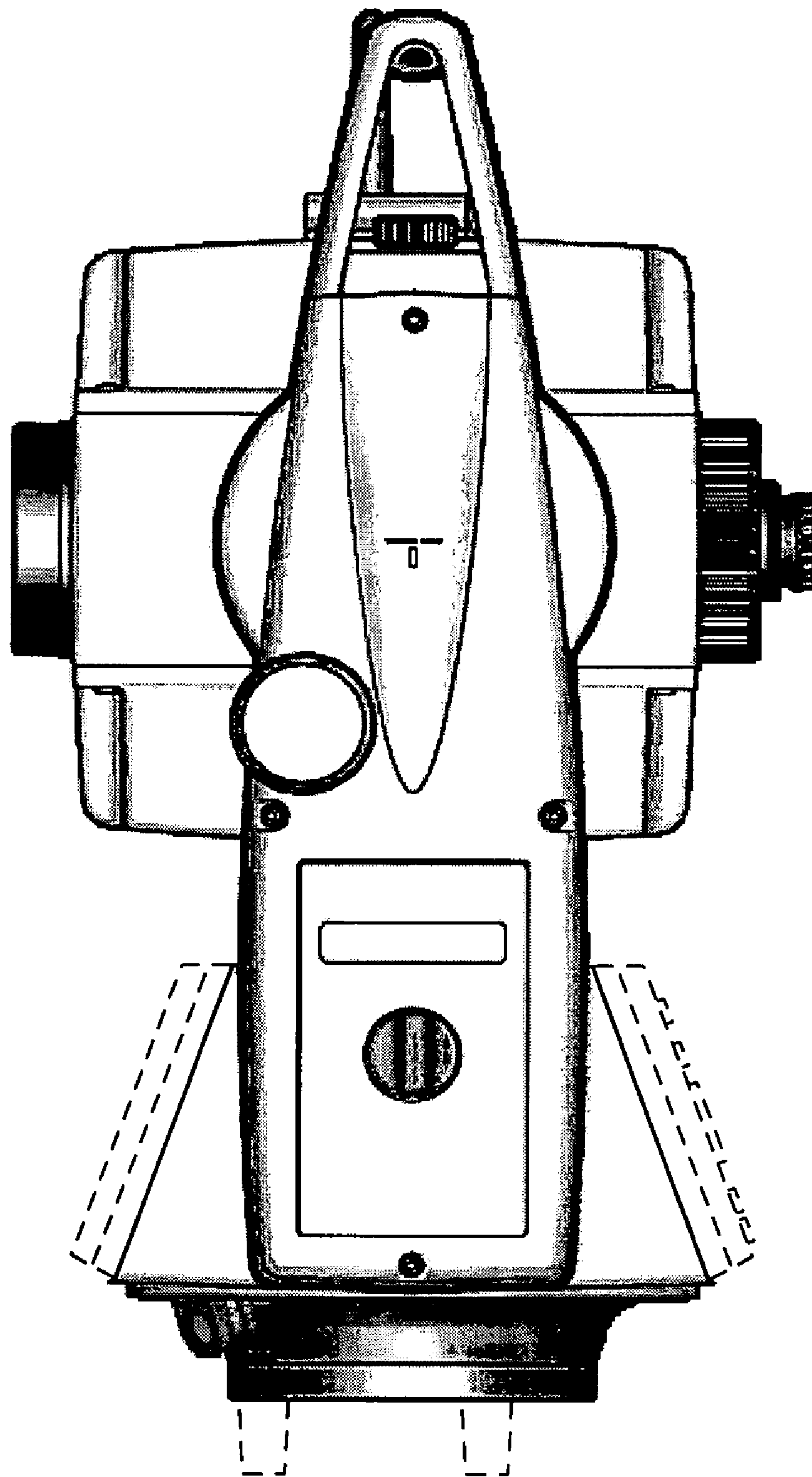


FIG. 4

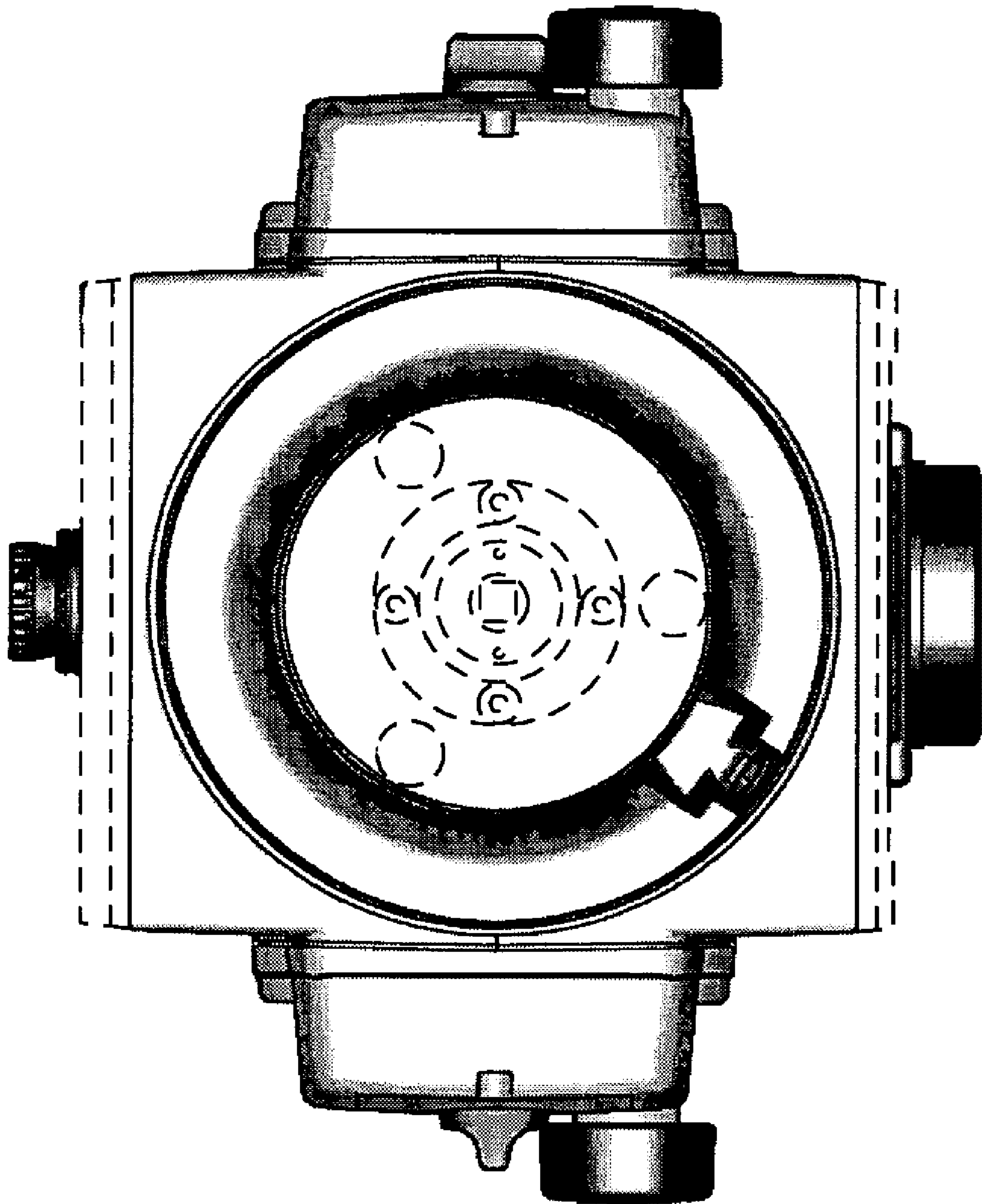


FIG. 5

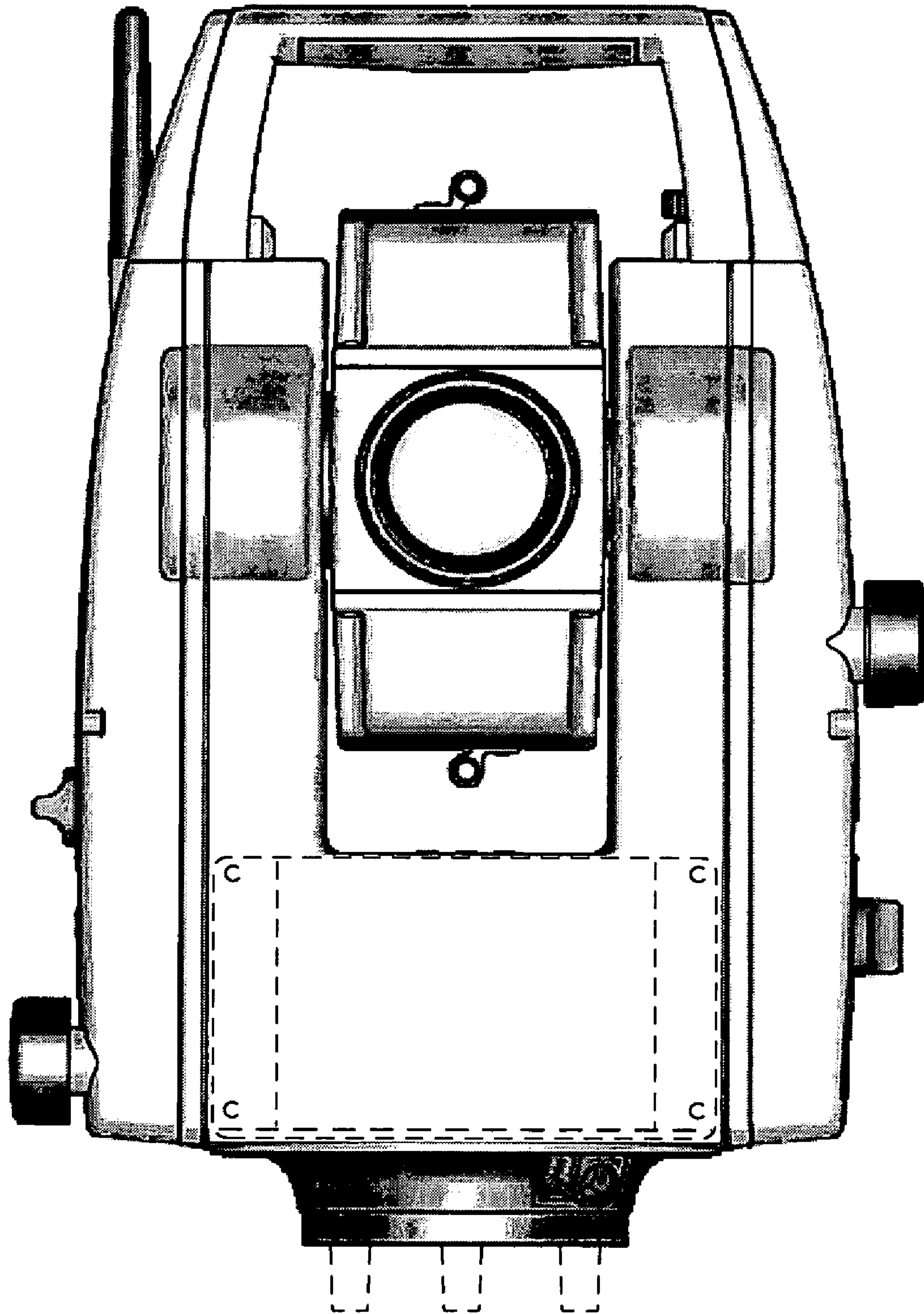


FIG. 6

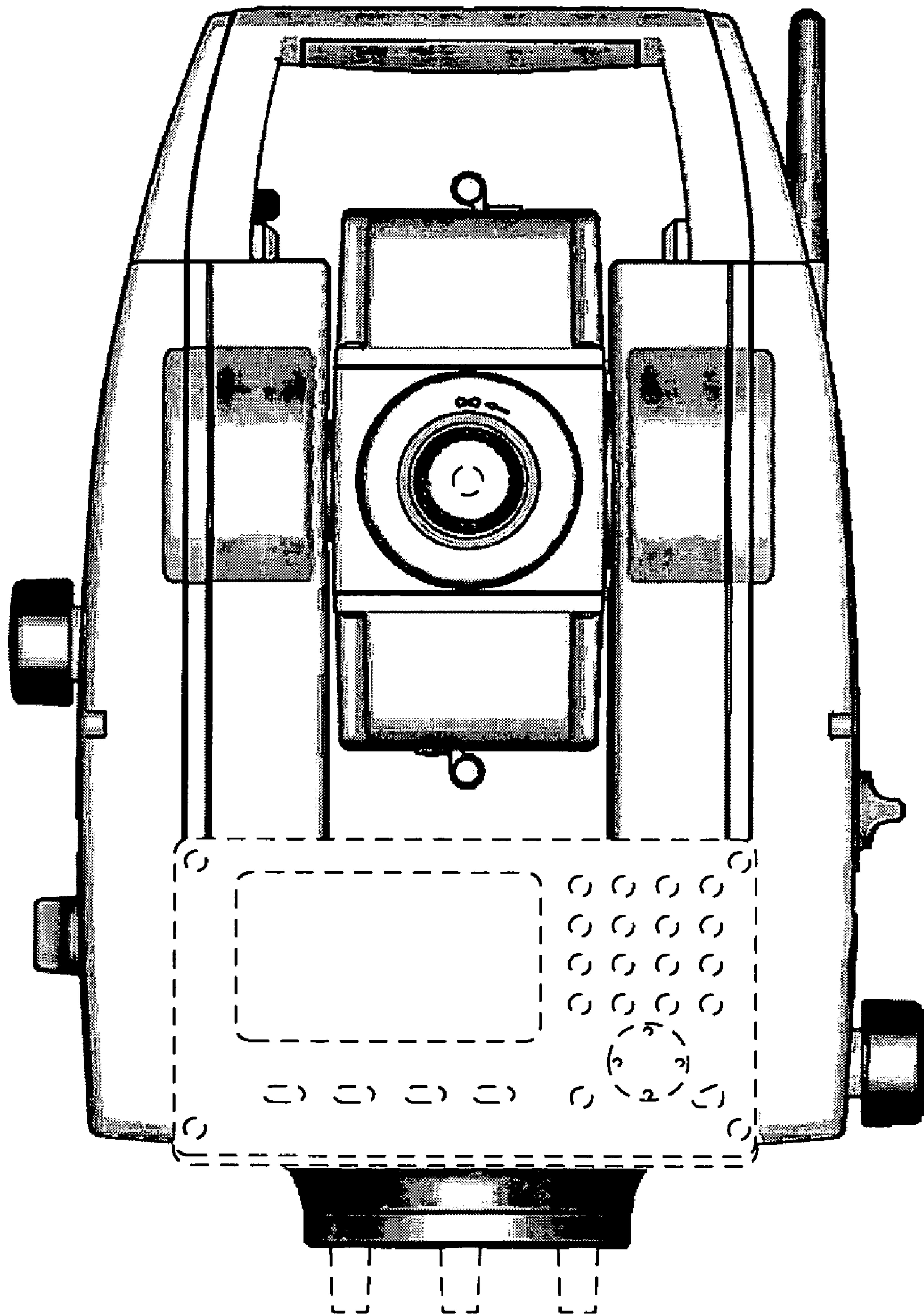


FIG. 7

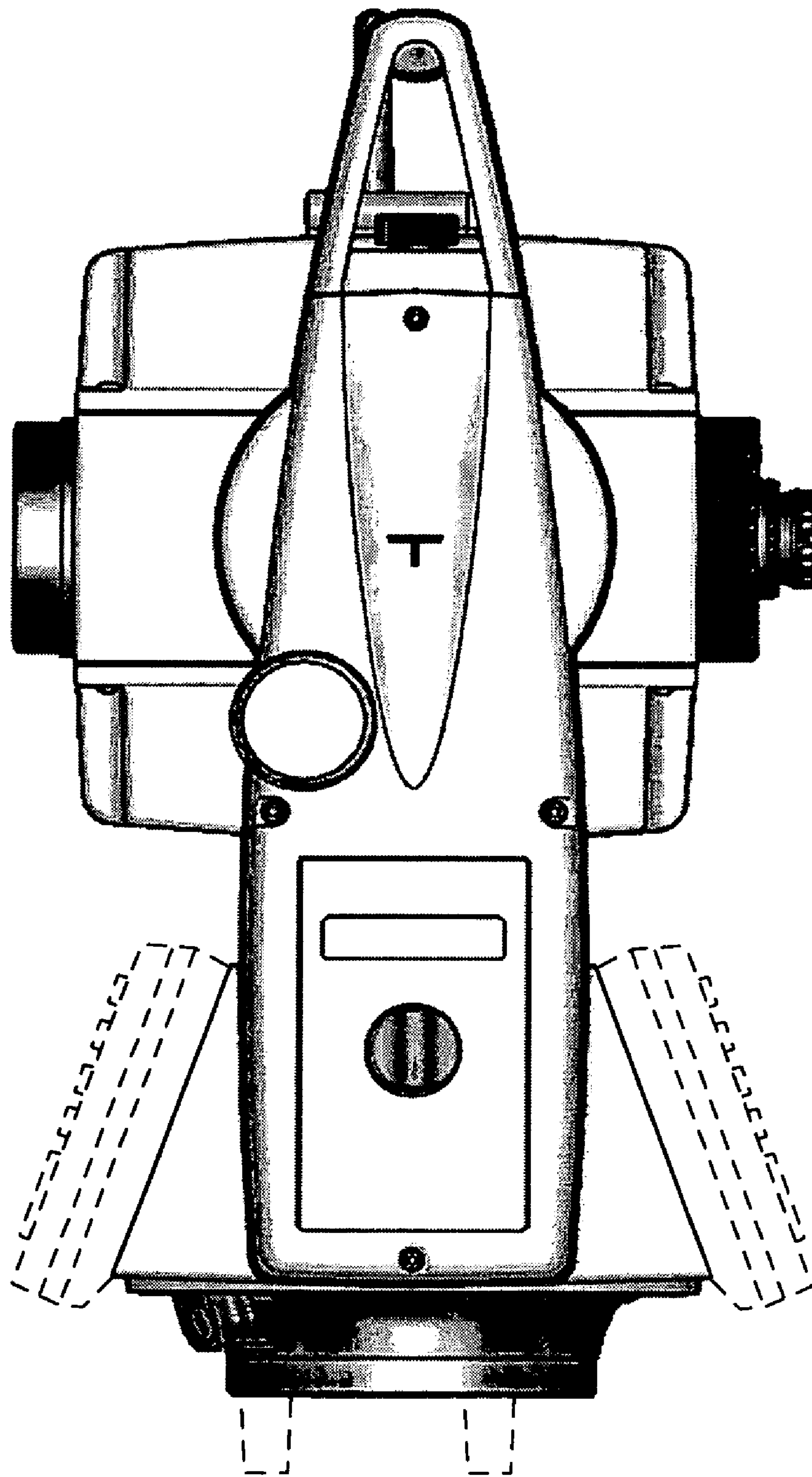


FIG. 8

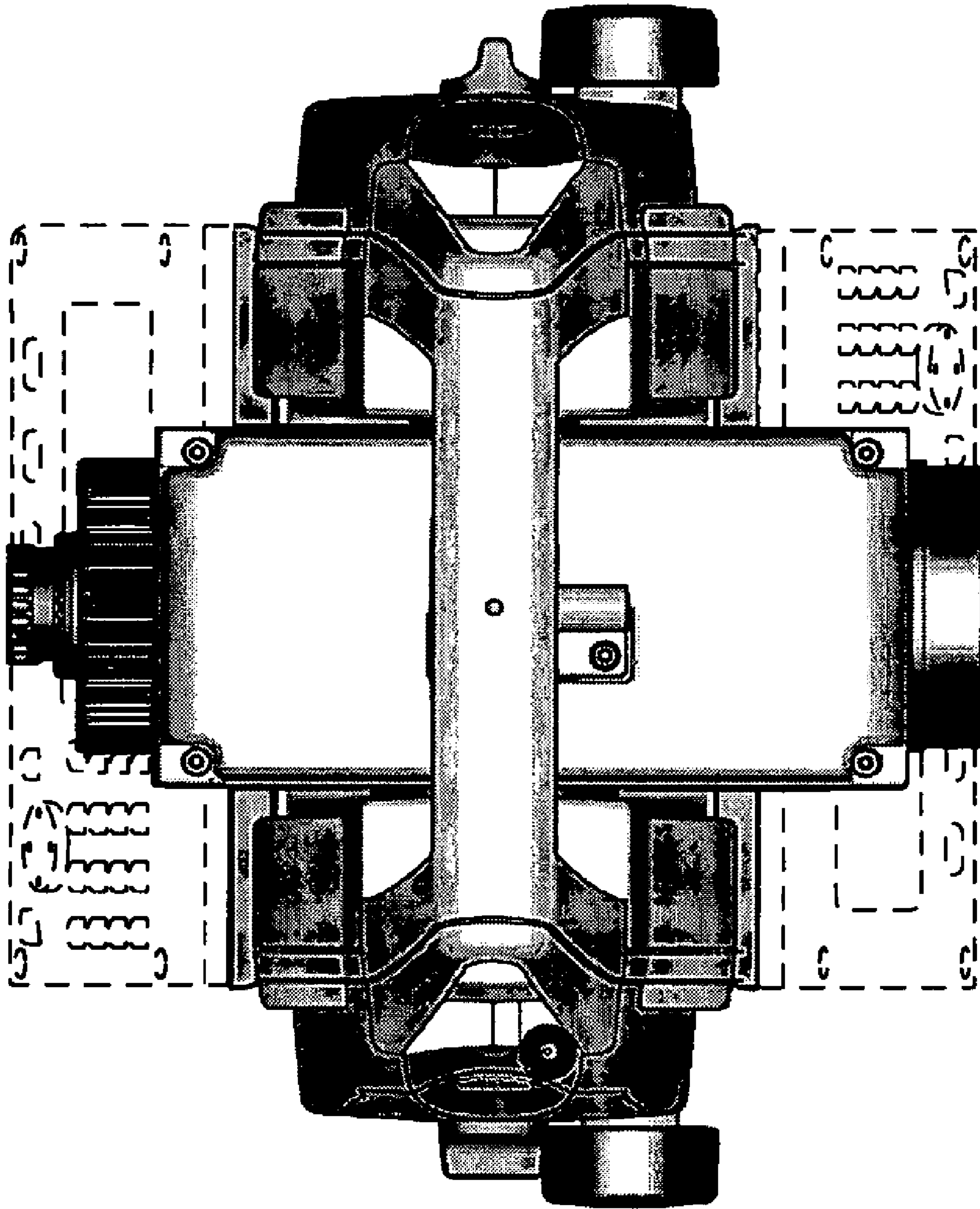


FIG. 9

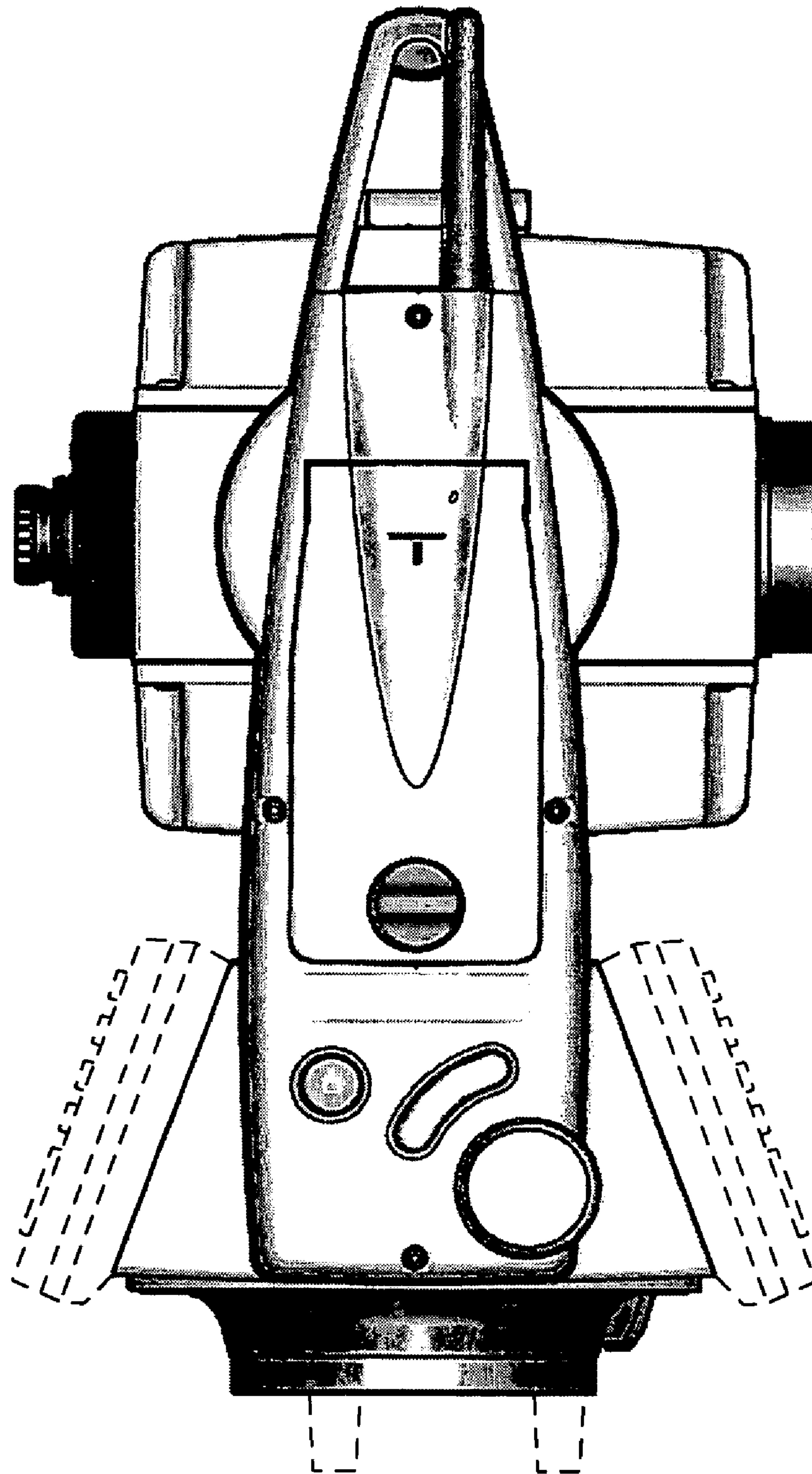


FIG. 10

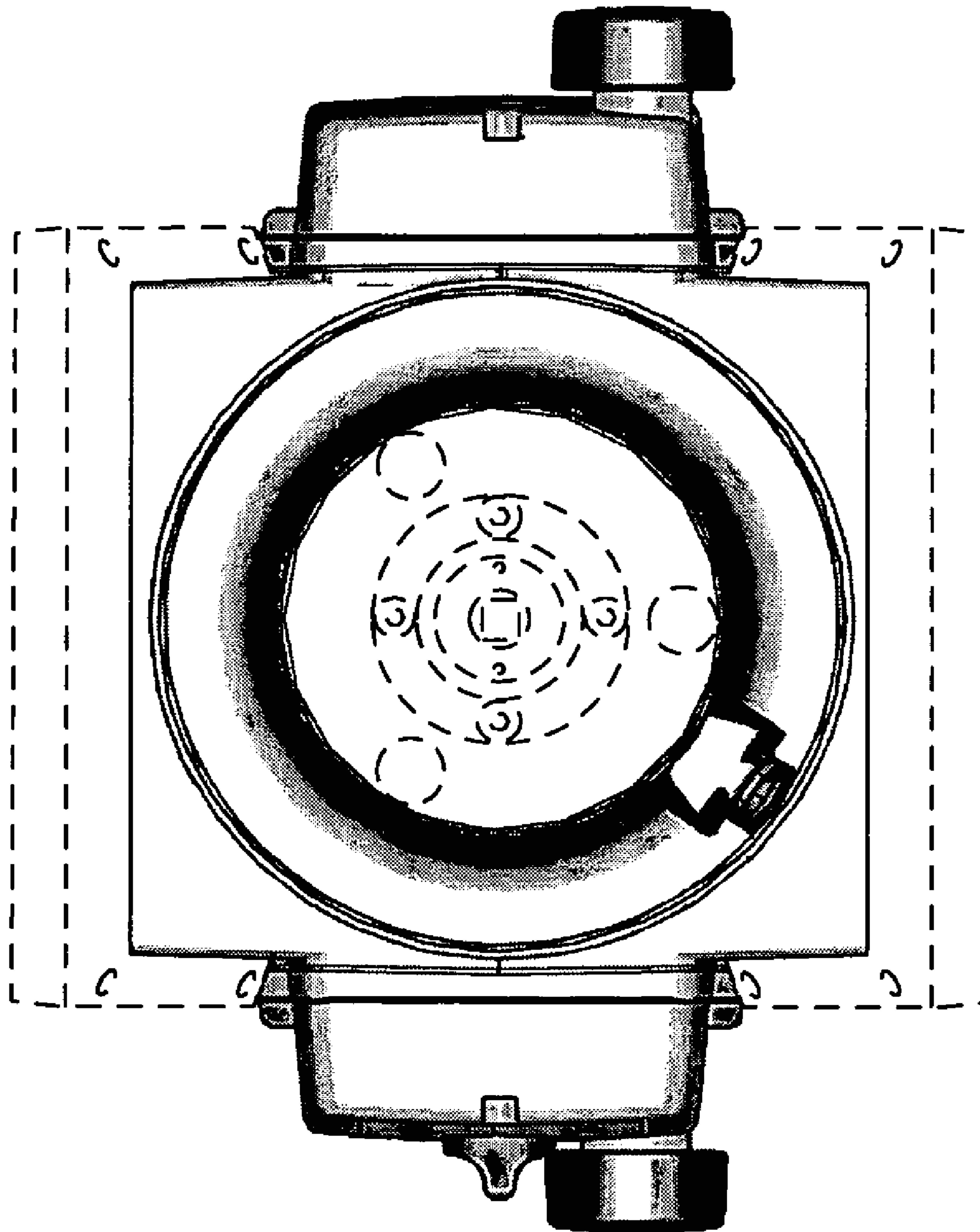


FIG. 11

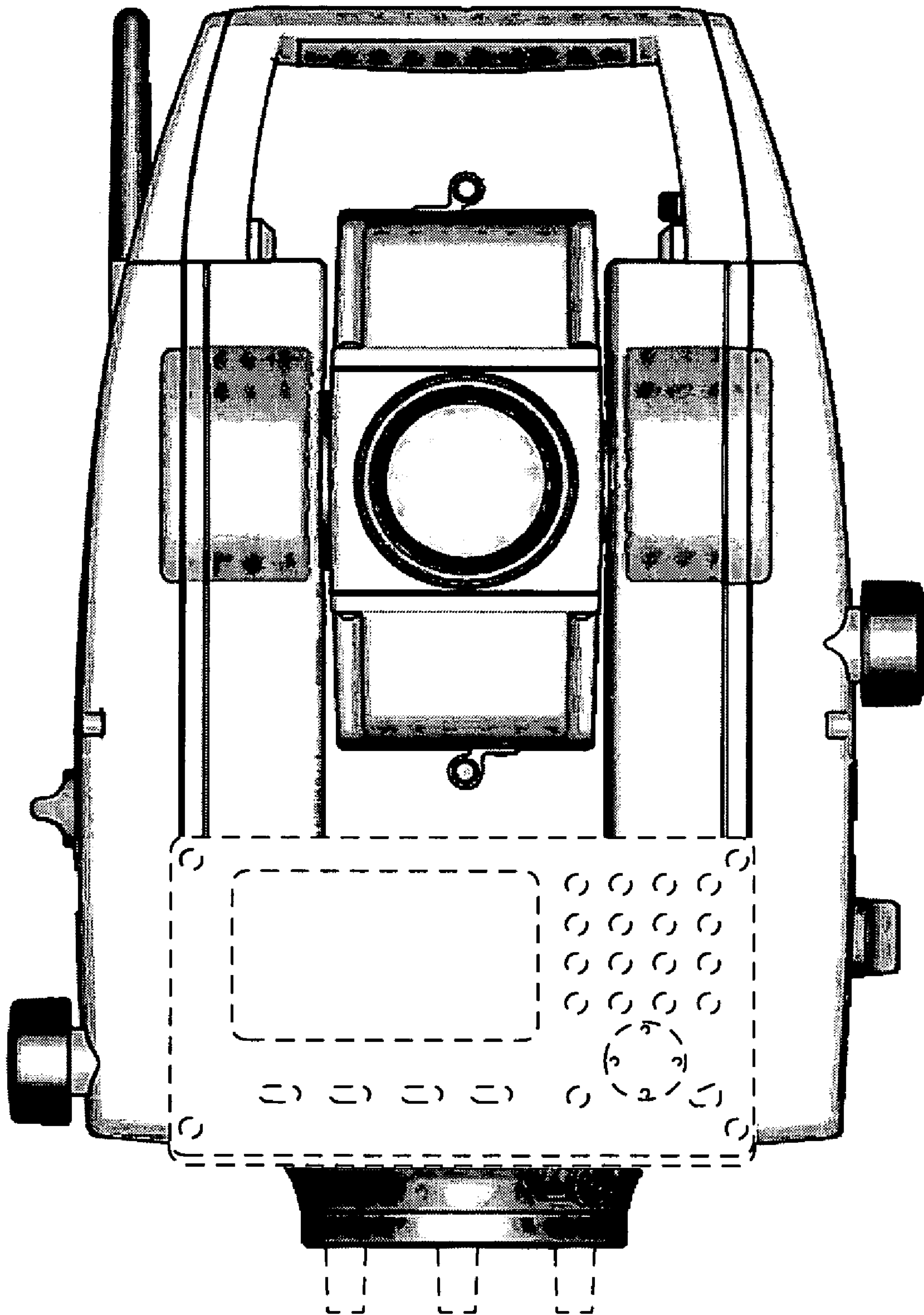


FIG. 12