



US00D605955S

(12) **United States Design Patent**
Matsumoto

(10) **Patent No.:** **US D605,955 S**

(45) **Date of Patent:** **** Dec. 15, 2009**

(54) **TIME RECORDER**

(75) Inventor: **Satoru Matsumoto**, Chiba (JP)

(73) Assignee: **Seiko Precision Inc.** (JP)

(**) Term: **14 Years**

(21) Appl. No.: **29/331,351**

(22) Filed: **Jan. 23, 2009**

(30) **Foreign Application Priority Data**

Jul. 28, 2008 (JP) D2008-019324

(51) **LOC (9) Cl.** **10-03**

(52) **U.S. Cl.** **D10/41; D10/122**

(58) **Field of Classification Search** D10/41,
D10/40, 15, 122, 128; 235/377; 346/20,
346/80-88, 95, 96

See application file for complete search history.

(56) **References Cited**

U.S. PATENT DOCUMENTS

| | | | | | | |
|-----------|---|---|---------|-----------------|-------|---------|
| D112,991 | S | * | 1/1939 | Faris | | D10/41 |
| 2,338,180 | A | * | 1/1944 | Harrison | | 346/48 |
| D161,941 | S | * | 2/1951 | Kress | | D10/41 |
| 2,591,448 | A | * | 4/1952 | Lorenz | | 235/377 |
| D178,597 | S | * | 8/1956 | Cooper | | D10/41 |
| 2,824,777 | A | * | 2/1958 | Gieringer | | 346/83 |
| 2,922,687 | A | * | 1/1960 | Cooper | | 346/66 |
| D201,894 | S | * | 8/1965 | Kress | | D10/41 |
| D210,089 | S | * | 2/1968 | Vickery | | D10/41 |
| 3,611,423 | A | * | 10/1971 | Rutsche | | 346/86 |
| 3,638,233 | A | * | 1/1972 | Futter | | 346/82 |
| 3,942,182 | A | * | 3/1976 | Sato | | 346/53 |
| 4,003,307 | A | * | 1/1977 | Sano et al. | | 101/45 |
| 4,381,511 | A | * | 4/1983 | Suzuki | | 346/20 |
| 4,516,138 | A | * | 5/1985 | Iwasawa et al. | | 346/80 |
| D298,921 | S | * | 12/1988 | Berry et al. | | D10/41 |
| D304,162 | S | * | 10/1989 | Calkins | | D10/41 |
| 4,899,173 | A | * | 2/1990 | Elliano | | 346/82 |
| D368,037 | S | * | 3/1996 | Staubitz et al. | | D10/41 |

| | | | | | | |
|-----------|----|---|---------|-----------------|-------|---------|
| 5,793,707 | A | * | 8/1998 | Gauthier et al. | | 368/10 |
| 5,988,056 | A | * | 11/1999 | Bolch | | 101/72 |
| 6,061,303 | A | * | 5/2000 | Gauthier et al. | | 368/10 |
| 6,560,166 | B1 | * | 5/2003 | Saito et al. | | 368/47 |
| 6,817,537 | B2 | * | 11/2004 | Watanabe et al. | | 235/494 |
| D553,513 | S | * | 10/2007 | Takeda | | D10/41 |
| D553,514 | S | * | 10/2007 | Tanaka et al. | | D10/41 |

OTHER PUBLICATIONS

3500 Time Recorder, <http://www.pyramidtechnologies.com/Products/productView.asp?ProductID=13&tim>, Published at least prior to mid-Dec. 2008, Pyramid Technologies.

* cited by examiner

Primary Examiner—Lucy Lieberman

(74) *Attorney, Agent, or Firm*—Saidman DesignLaw Group

(57) **CLAIM**

The ornamental design for a time recorder, as shown and described.

DESCRIPTION

FIG. 1 is a perspective view of a time recorder;

FIG. 2 is a bottom perspective view thereof;

FIG. 3 is a front view thereof;

FIG. 4 is a rear view thereof;

FIG. 5 is a left side view thereof;

FIG. 6 is a right side view thereof;

FIG. 7 is a top plan view thereof;

FIG. 8 is a bottom plan view thereof; and,

FIG. 9 is a sectional view thereof showing the sectioned surface of the portion taken along line 9—9.

The broken lines showing on the drawing disclosure are for illustrative purposes only and form no part of the claimed design. The lines consisting of long lines and dots indicate conceptual border lines between the claimed portions and the disclaimed portions.

1 Claim, 9 Drawing Sheets

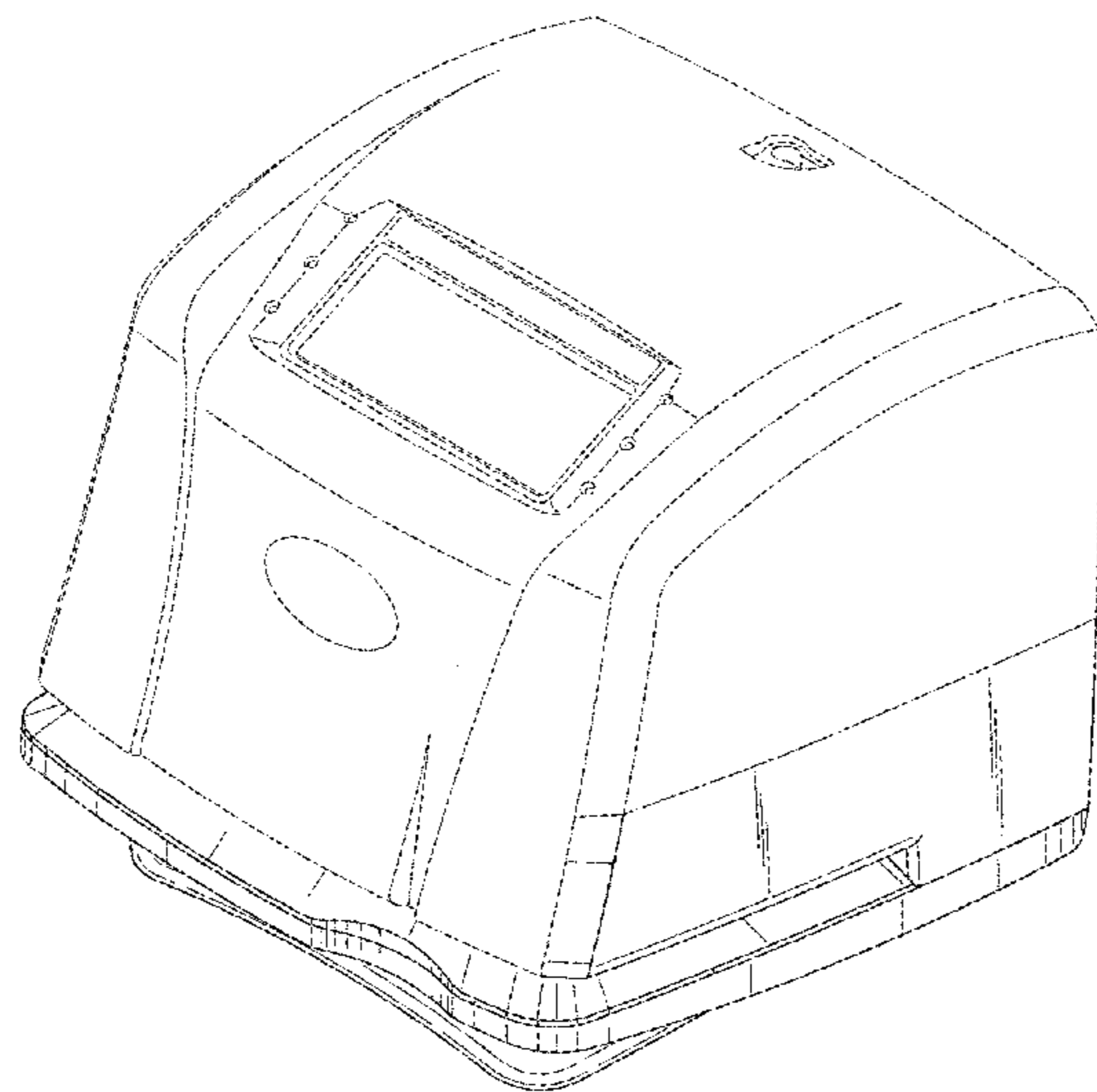


Fig.1

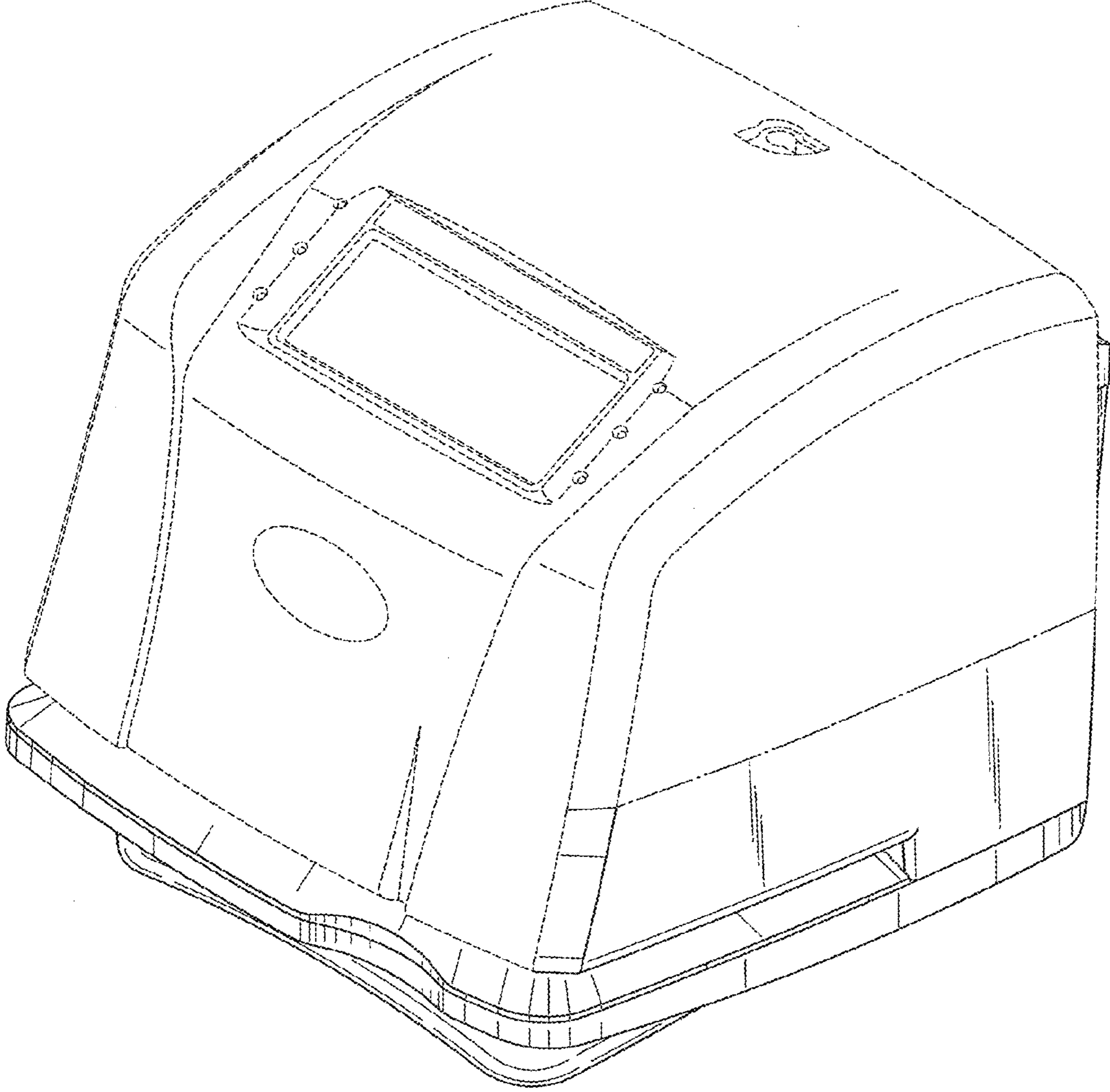


Fig.2

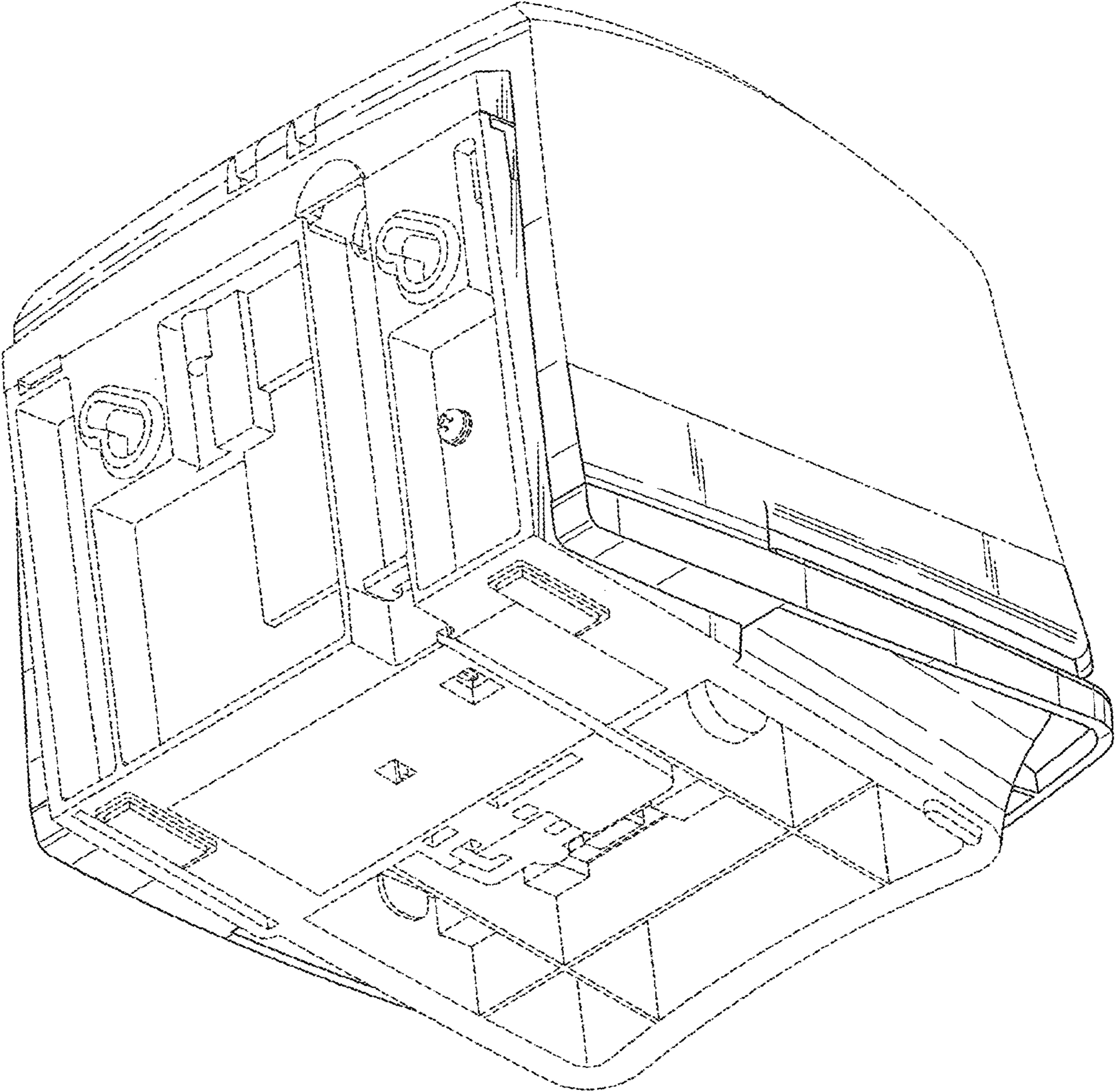


Fig.3

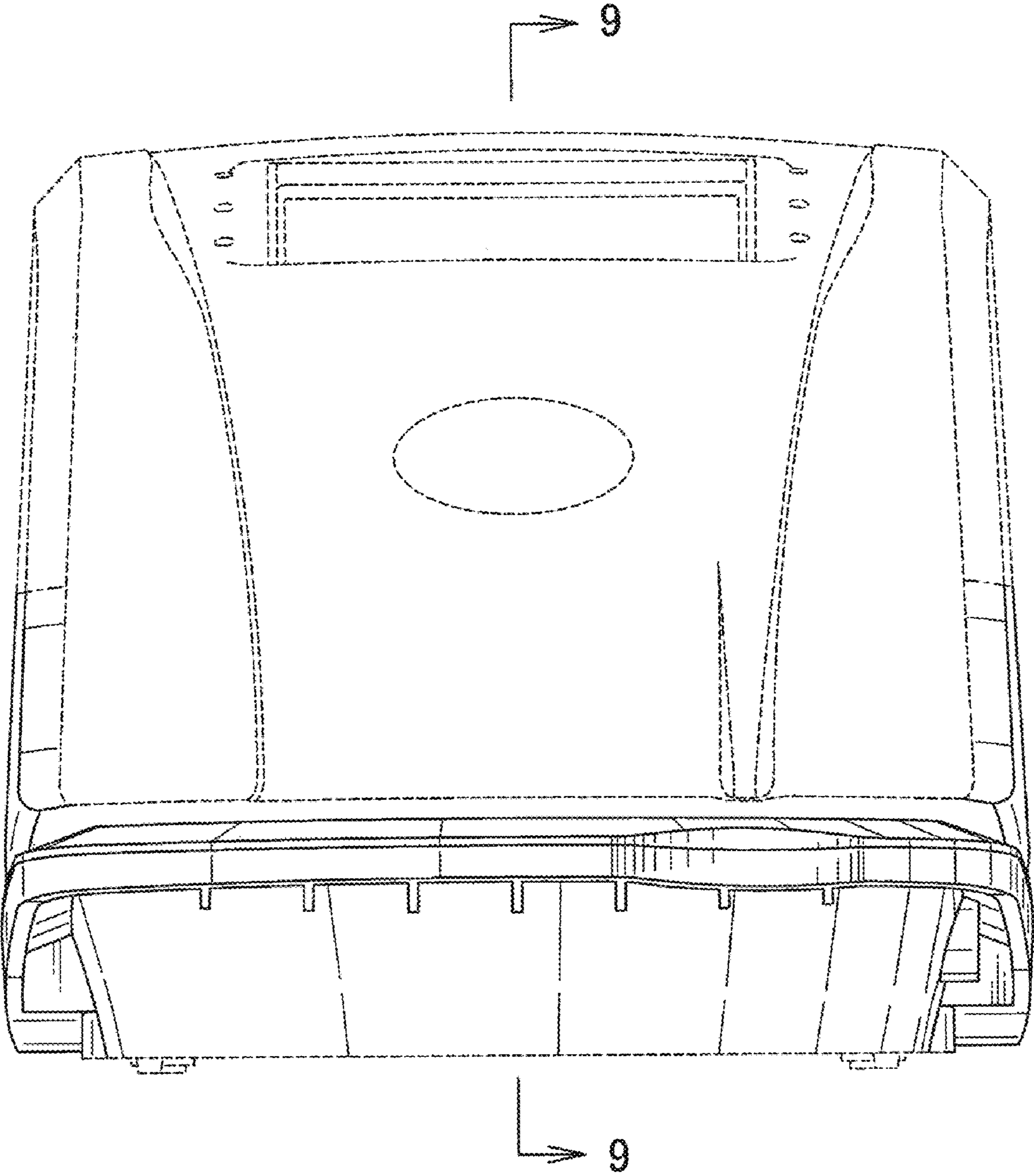


Fig.4

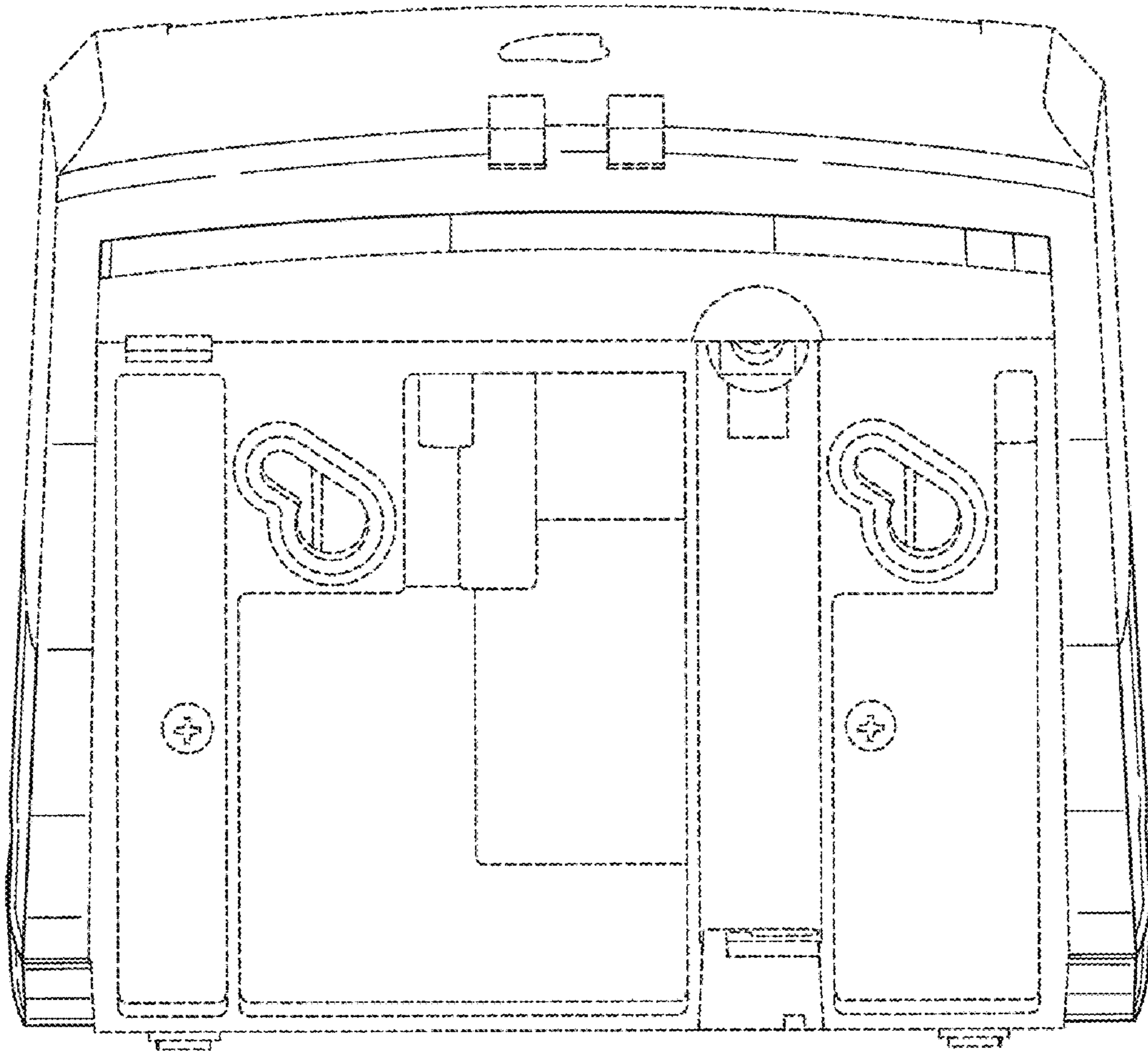


Fig.5

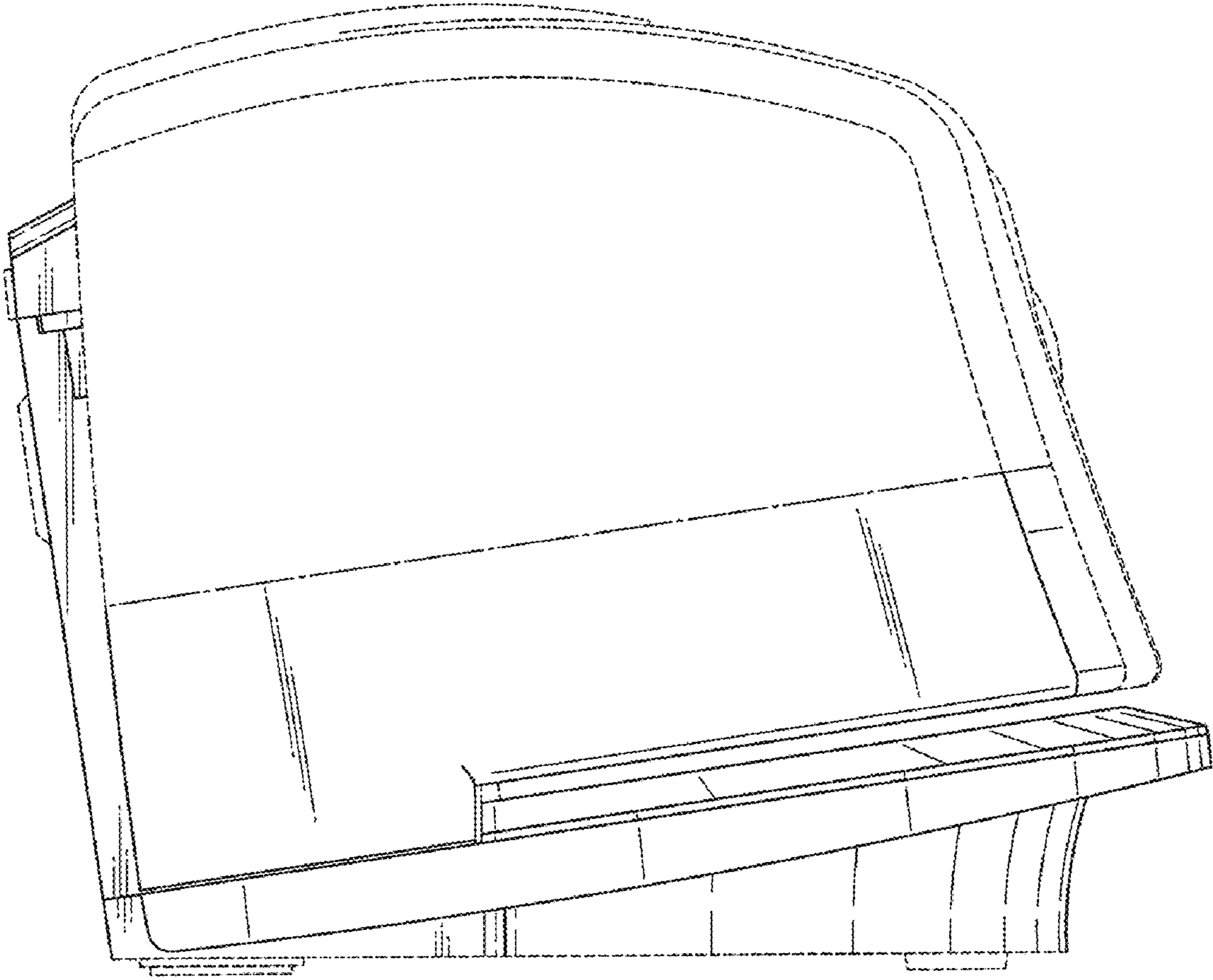


Fig.6

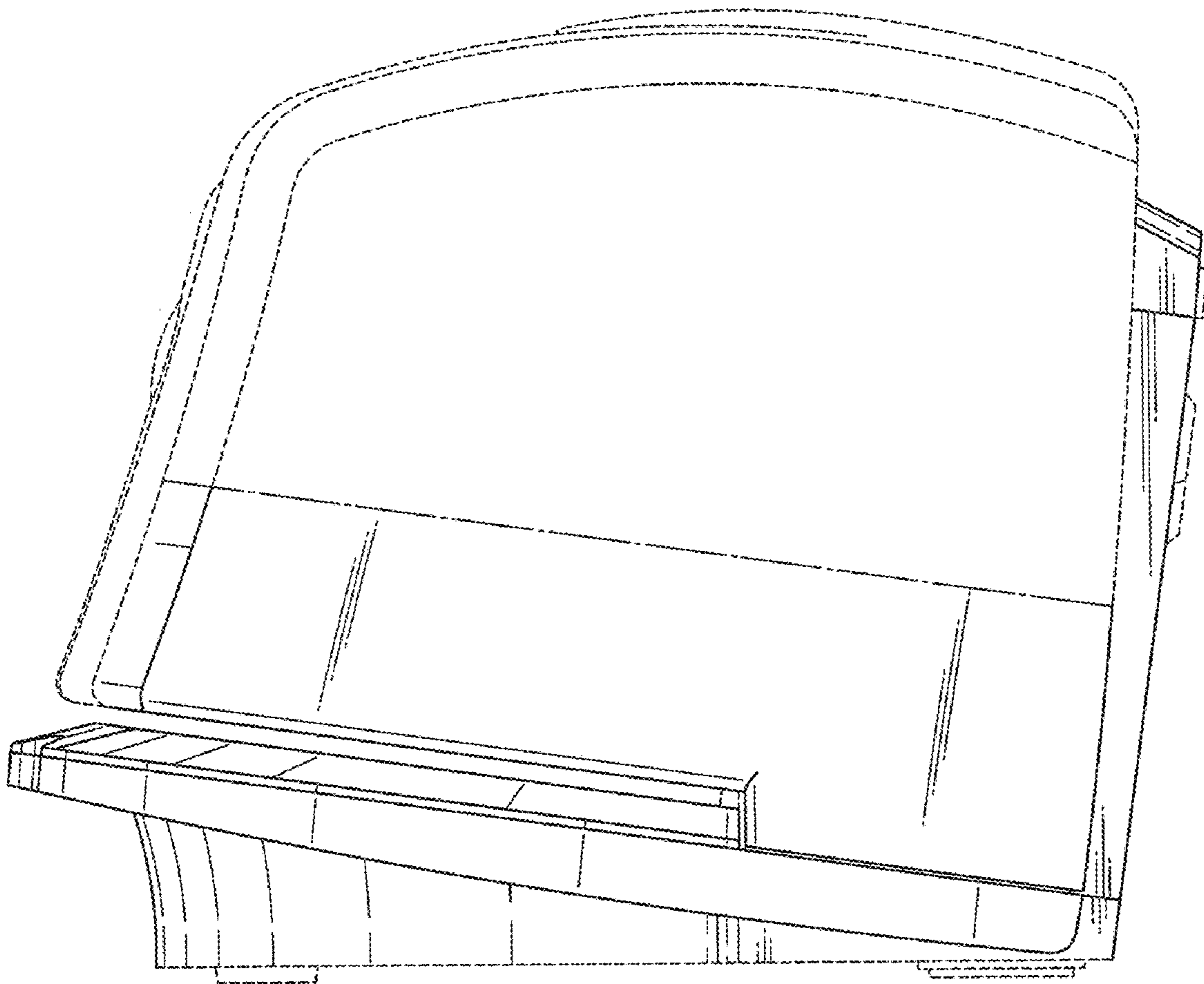


Fig. 7

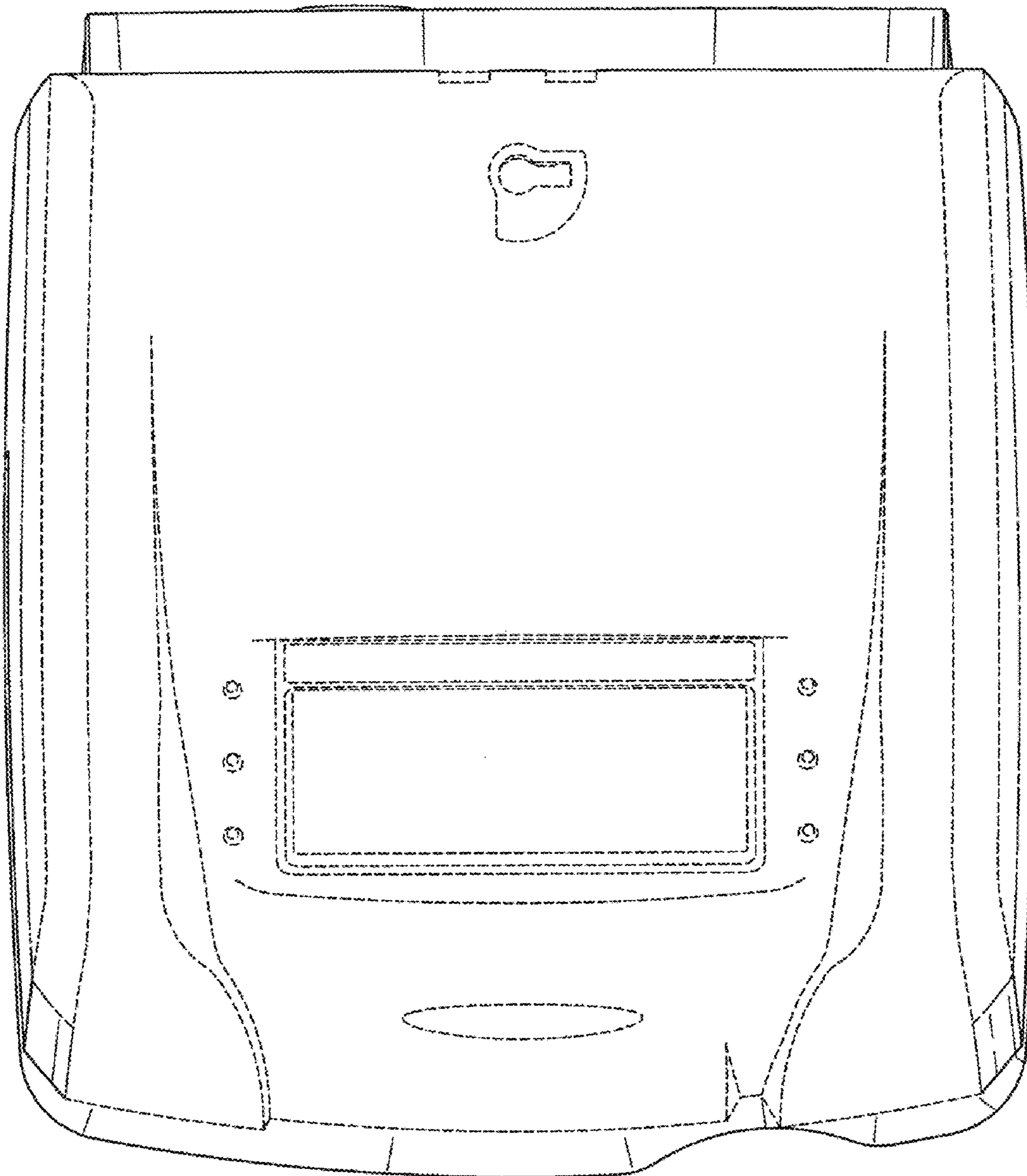


Fig.8

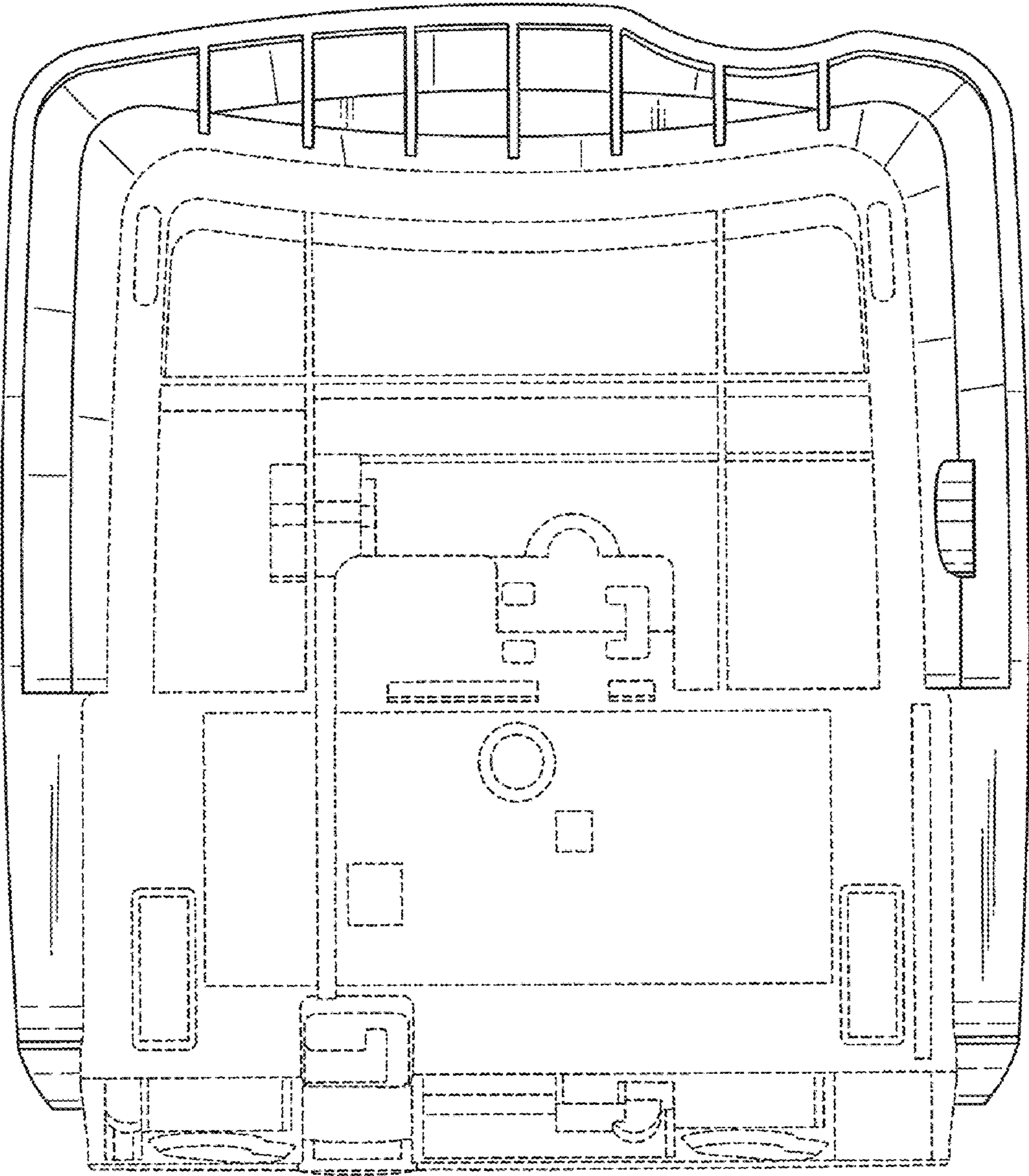


Fig.9

