



US00D605954S

(12) **United States Design Patent**
Weggelaar

(10) **Patent No.:** **US D605,954 S**
(45) **Date of Patent:** **** Dec. 15, 2009**

- (54) **BOTTLE**
- (75) Inventor: **Bjorn Weggelaar**, Haarlem (NL)
- (73) Assignee: **Sara Lee Household and Body Care Nederland B.V.**, Utrecht (NL)
- (**) Term: **14 Years**
- (21) Appl. No.: **29/323,975**
- (22) Filed: **Sep. 3, 2008**

- D219,643 S 1/1971 Garbus
- D237,583 S 11/1975 Kemp
- D244,992 S 7/1977 Van der Veken
- 4,196,808 A 4/1980 Pardo
- D263,118 S 2/1982 Weckman
- D275,367 S 9/1984 Holewinski
- D289,855 S 5/1987 Carlson
- D290,225 S 6/1987 Carlson
- D290,255 S 6/1987 Taveau
- D292,266 S 10/1987 Vanlanen et al.
- D292,373 S 10/1987 Costa
- D297,166 S 8/1988 Hollar et al.
- D298,991 S 12/1988 Stanley
- D301,546 S 6/1989 McCallister
- D305,914 S 2/1990 Ukisu
- D307,111 S 4/1990 Green

Related U.S. Application Data

- (60) Division of application No. 29/291,838, filed on Sep. 17, 2007, now Pat. No. Des. 580,787, which is a continuation-in-part of application No. 29/252,962, filed on Jan. 31, 2006, now Pat. No. Des. 554,532.

Foreign Application Priority Data

- (30) Aug. 12, 2005 (EM) 000385752

- (51) **LOC (9) Cl.** **09-01**
- (52) **U.S. Cl.** **D9/740; D9/741; D9/516**
- (58) **Field of Classification Search** D9/684, D9/738-747, 516, 530, 541-543, 560, 574-575, D9/452-453; D4/114, 116; 215/6, 10
See application file for complete search history.

References Cited

U.S. PATENT DOCUMENTS

- 2,013,382 A * 9/1935 Garwood 215/6 X
- D103,887 S 3/1937 Conner
- D105,290 S 7/1937 Lloyd
- D161,125 S 12/1950 Polime
- D190,101 S 4/1961 Mangini
- D191,251 S 8/1961 Zackheim
- D192,980 S 6/1962 Mangini et al.
- D205,196 S * 7/1966 Wikke D9/743

(Continued)

Primary Examiner—Carol Rademaker
(74) *Attorney, Agent, or Firm*—Foley & Lardner LLP

CLAIM

(57) I claim the ornamental design for a bottle, as shown.

DESCRIPTION

FIG. 1 is a top, front, right side perspective view of a bottle comprising the present invention.

FIG. 2 is a front elevational view thereof.

FIG. 3 is a rear elevational view thereof.

FIG. 4 is a right side elevational view thereof.

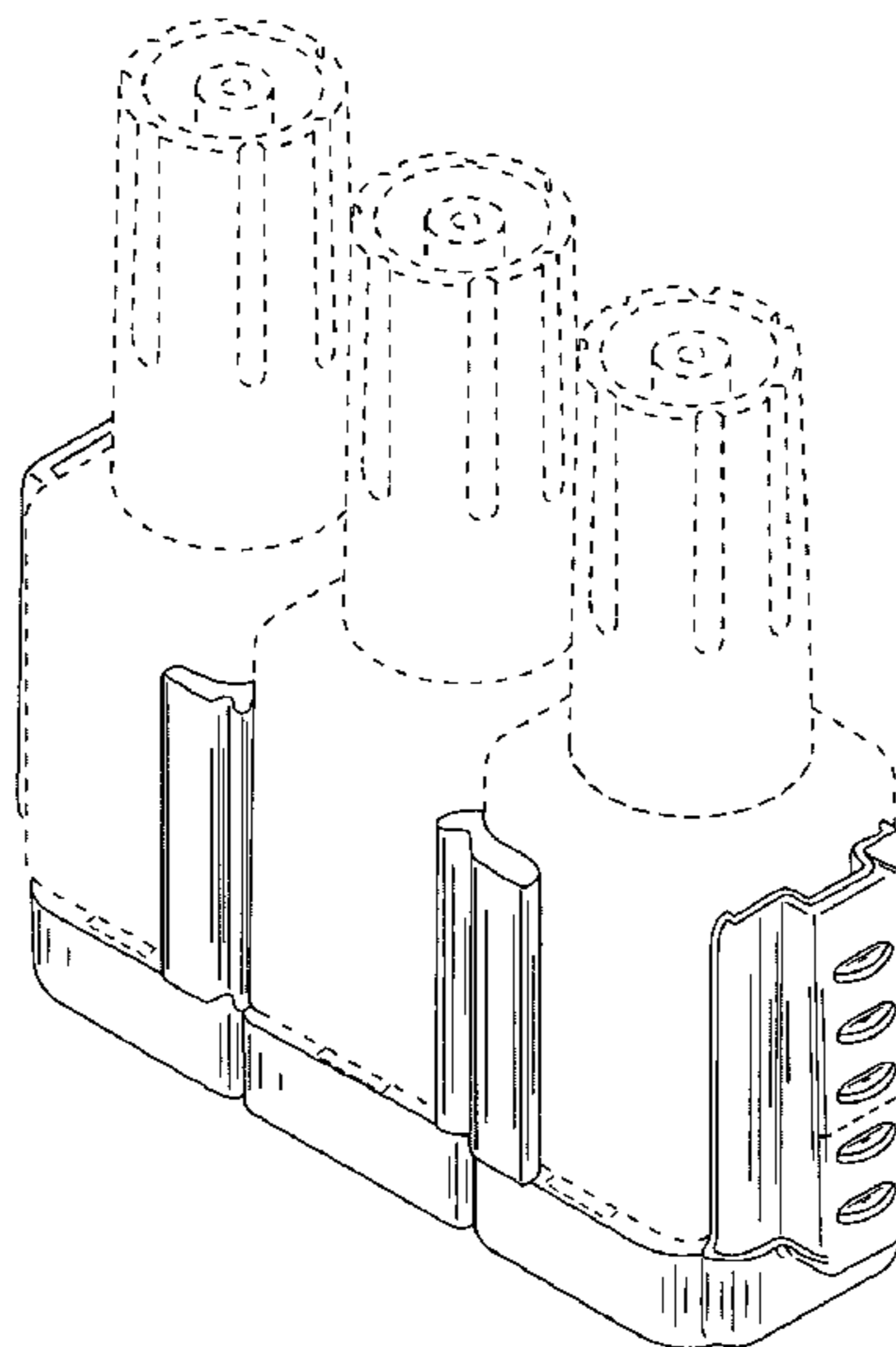
FIG. 5 is a left side elevational view thereof.

FIG. 6 is a top plan view thereof; and,

FIG. 7 is a bottom plan view thereof.

The broken lines shown in the drawing views are included for the purpose of showing environmental structure that forms no part of the claimed design.

1 Claim, 3 Drawing Sheets



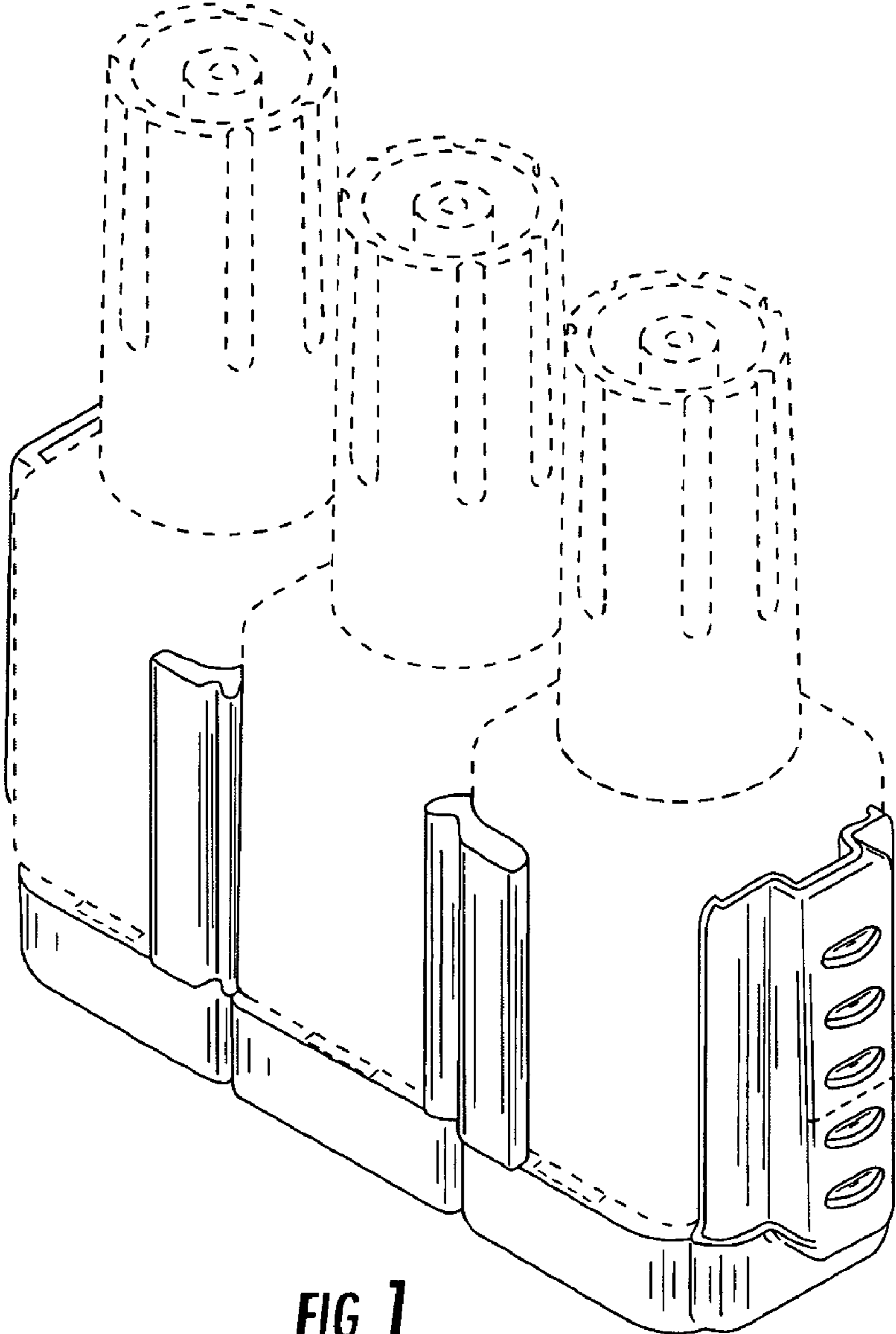


FIG. 1

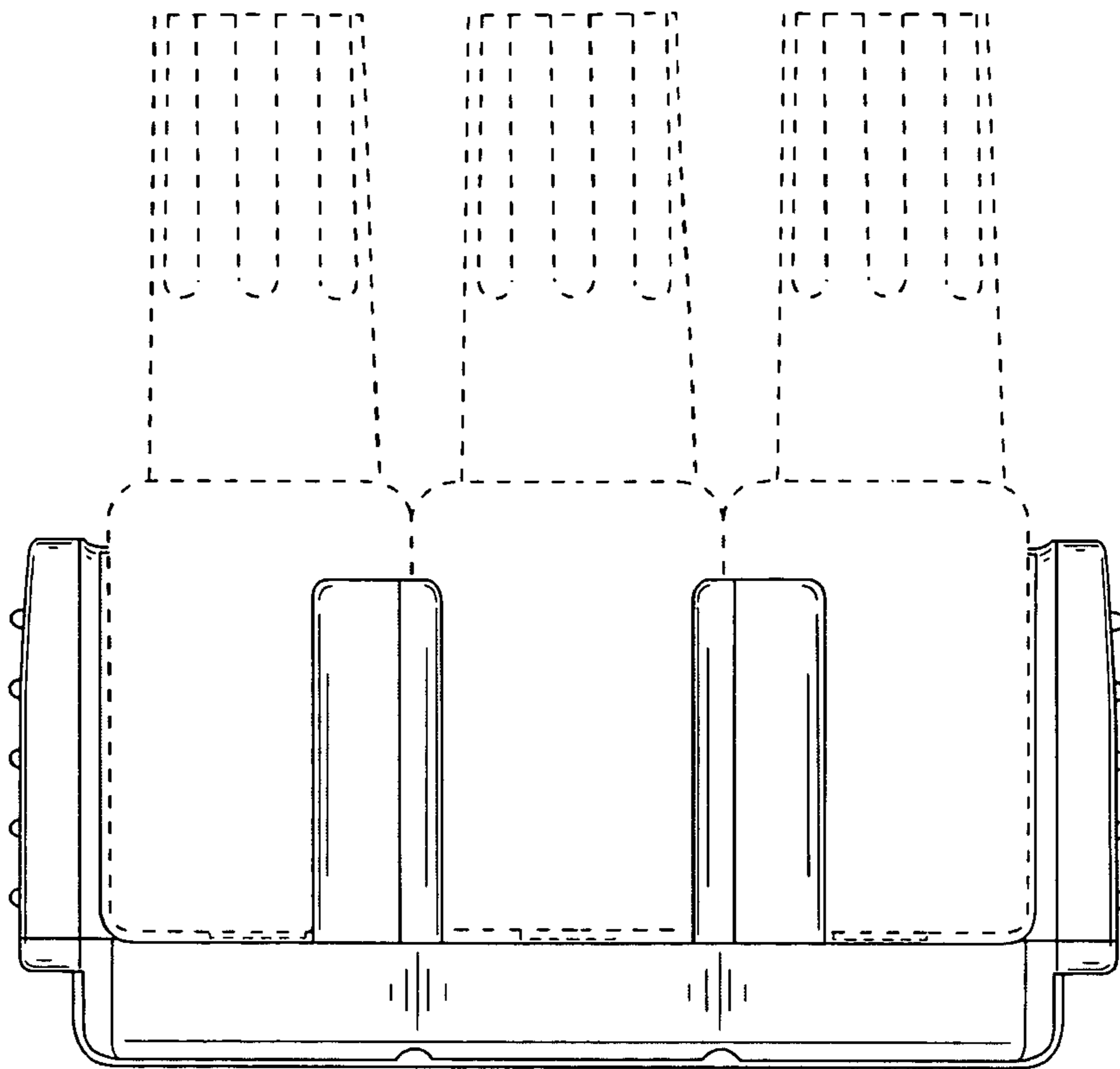


FIG. 2

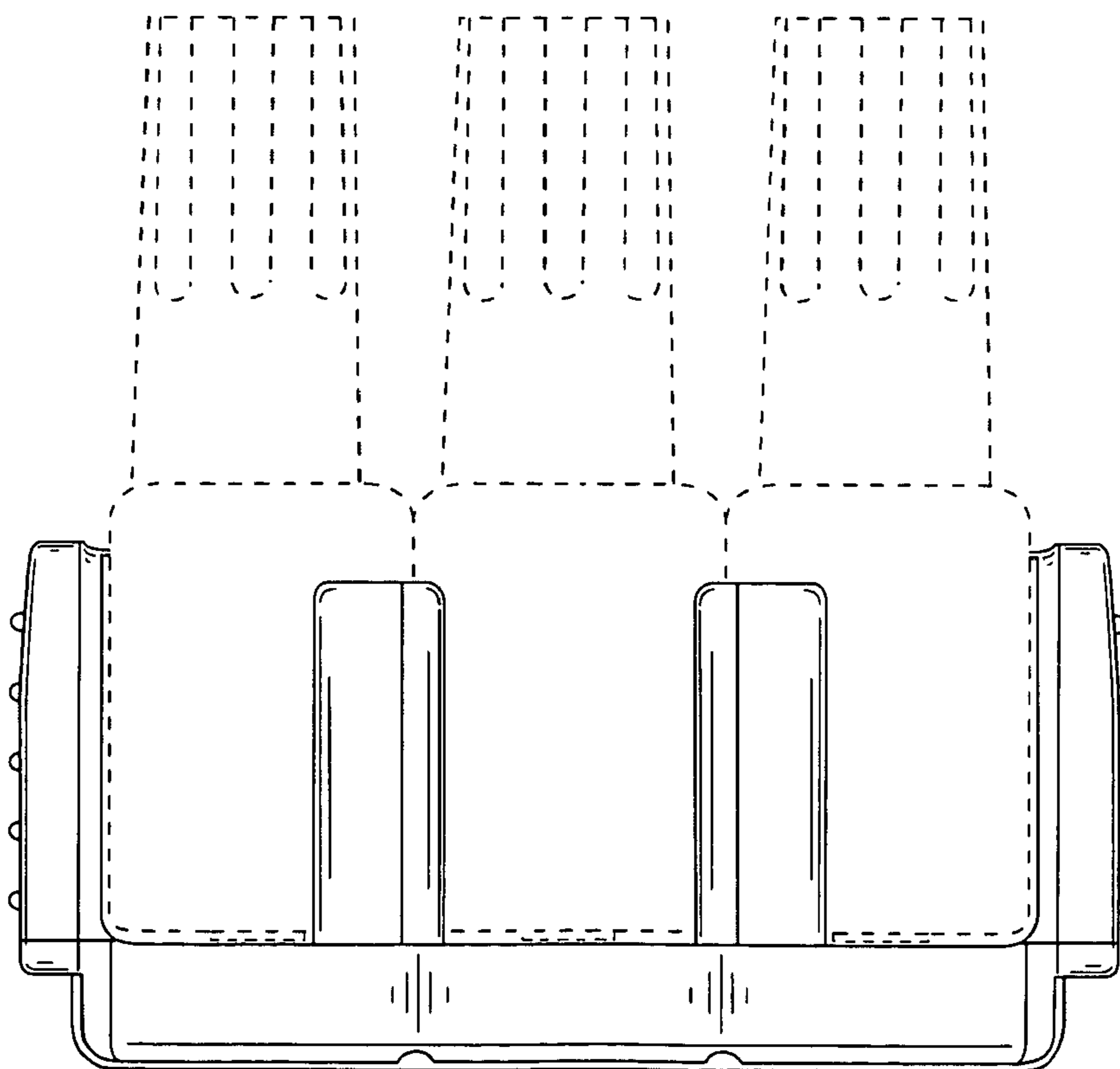


FIG. 3

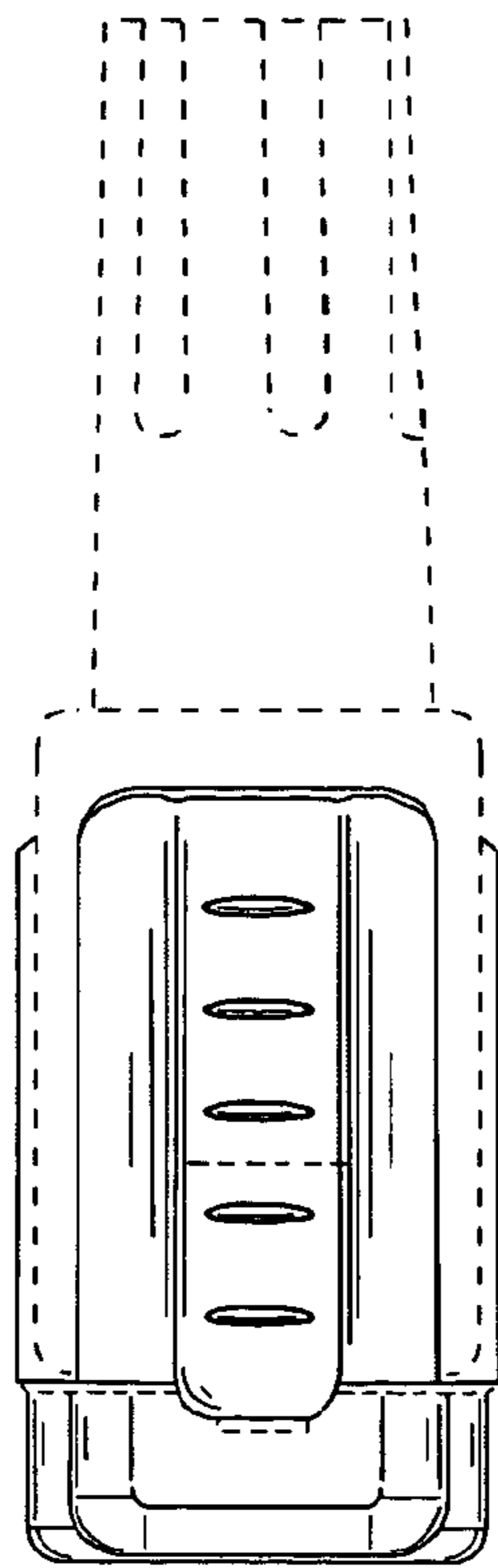


FIG. 4

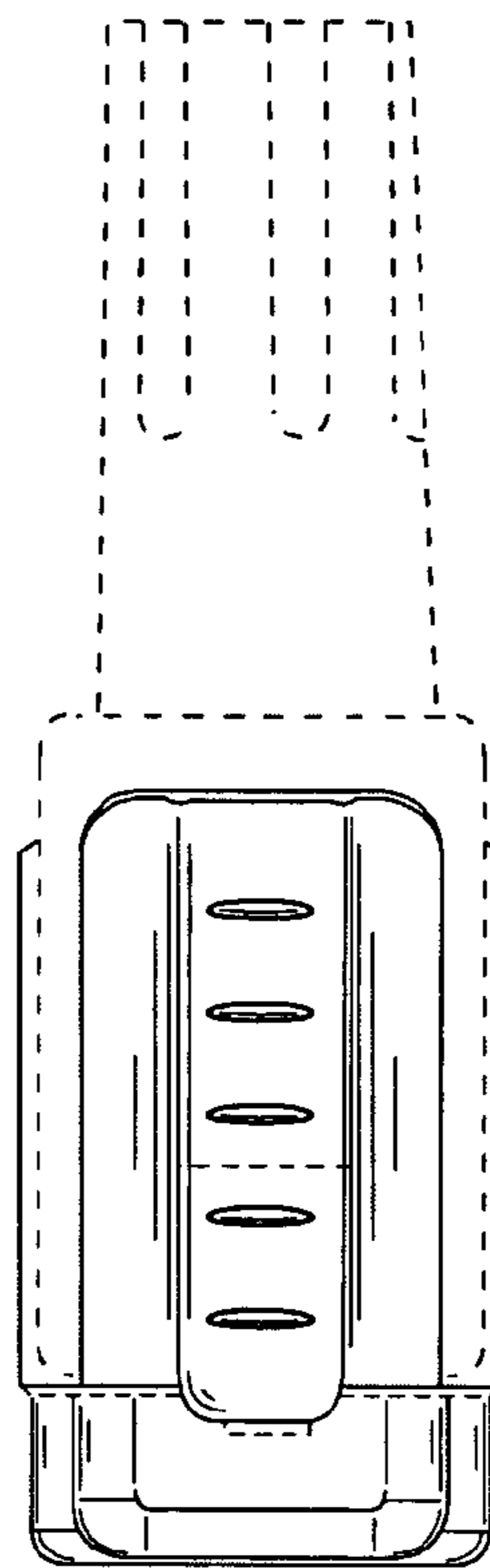


FIG. 5

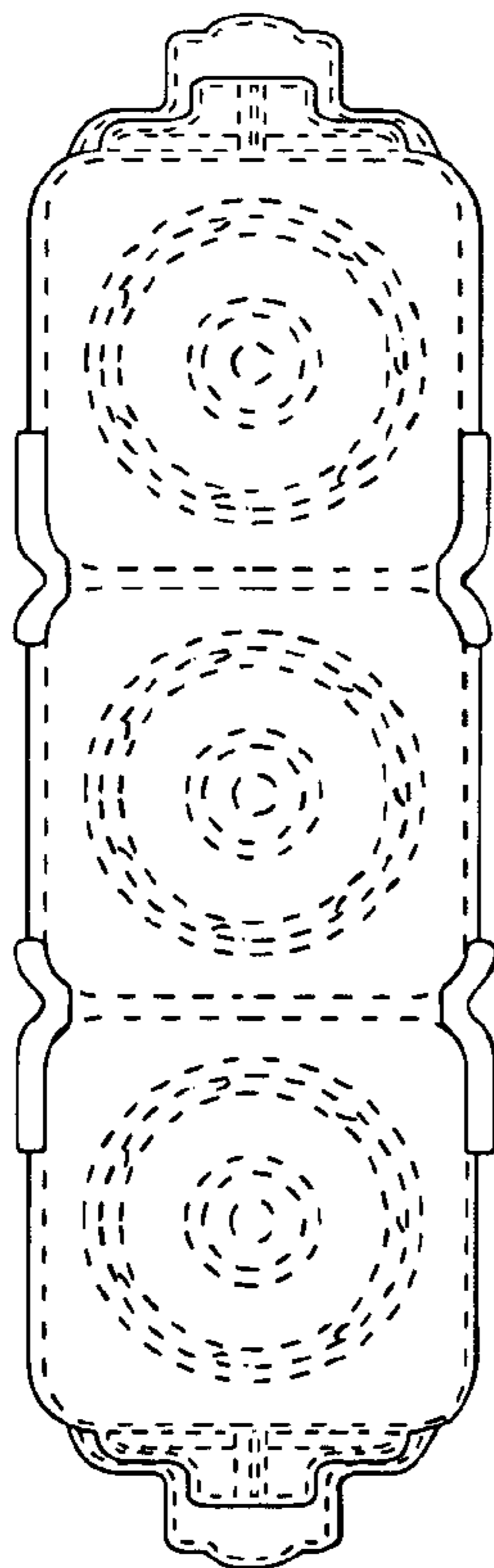


FIG. 6

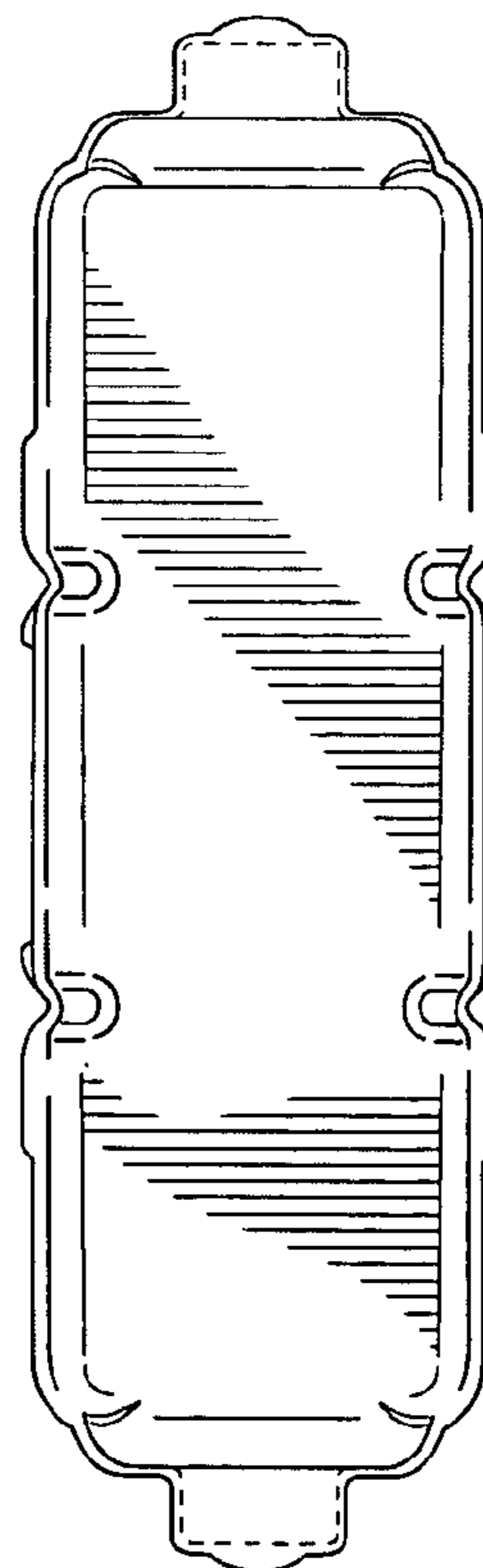


FIG. 7