



US00D605949S

(12) **United States Design Patent**
Potts et al.

(10) **Patent No.:** **US D605,949 S**
(45) **Date of Patent:** **** Dec. 15, 2009**

(54) **CONTAINER**

(75) Inventors: **Craig L. Potts**, Monclova, OH (US);
Edward A. Grant, Northwood, OH (US)

(73) Assignee: **Owens-Brockway Glass Container Inc.**, Perrysburg, OH (US)

(**) Term: **14 Years**

(21) Appl. No.: **29/341,109**

(22) Filed: **Jul. 30, 2009**

Related U.S. Application Data

(62) Division of application No. 29/310,433, filed on Aug. 15, 2008, now Pat. No. Des. 602,369.

(51) **LOC (9) Cl.** **09-01**

(52) **U.S. Cl.** **D9/547; D9/537**

(58) **Field of Classification Search** D9/516,
D9/520, 530, 537, 539, 540, 547, 549, 551,
D9/556, 557, 564, 569, 570, 571, 575; D24/197,
D24/198, 130; 215/381-385
See application file for complete search history.

(56) **References Cited**

U.S. PATENT DOCUMENTS

D47,393 S	5/1915	Wheaton	
D187,839 S *	5/1960	Hoffstein	D24/197
3,105,324 A *	10/1963	Friedman	446/267
D214,147 S *	5/1969	Ritsi	D24/197
3,746,198 A *	7/1973	Howland	215/11.1
D230,325 S *	2/1974	Sofro	D24/197
3,811,671 A *	5/1974	Turnbull	482/13
D235,812 S *	7/1975	Barr	D24/197
4,700,856 A	10/1987	Campbell et al.	
D313,075 S	12/1990	Mariol	
D320,455 S *	10/1991	Malcolm	D24/199

5,316,160 A *	5/1994	Cautereels	215/11.1
D356,160 S	3/1995	Cautereels	
5,749,483 A	5/1998	Tebeau	
D413,067 S *	8/1999	Haley	D9/539
D417,004 S *	11/1999	Lyons	D24/197
D420,448 S	2/2000	Brown et al.	
D423,107 S	4/2000	Brown et al.	
D433,337 S *	11/2000	Cautereels	D9/539
D478,669 S	8/2003	Wear	
6,722,514 B2	4/2004	Renz	
D493,711 S *	8/2004	Foster	D9/738
D497,431 S *	10/2004	Bentley	D24/197
D519,380 S *	4/2006	Leoncavallo et al.	D9/530
D555,489 S *	11/2007	Corrado	D9/547
D578,394 S *	10/2008	Shurtleff et al.	D9/516
D580,766 S *	11/2008	Young et al.	D9/516
D587,385 S *	2/2009	Davis	D26/7

* cited by examiner

Primary Examiner—Stella M Reid

Assistant Examiner—Elizabeth J Oswecki

(57) **CLAIM**

We claim the ornamental design for a container, as shown and described.

DESCRIPTION

FIG. 1 is a perspective view of a container showing our new design;

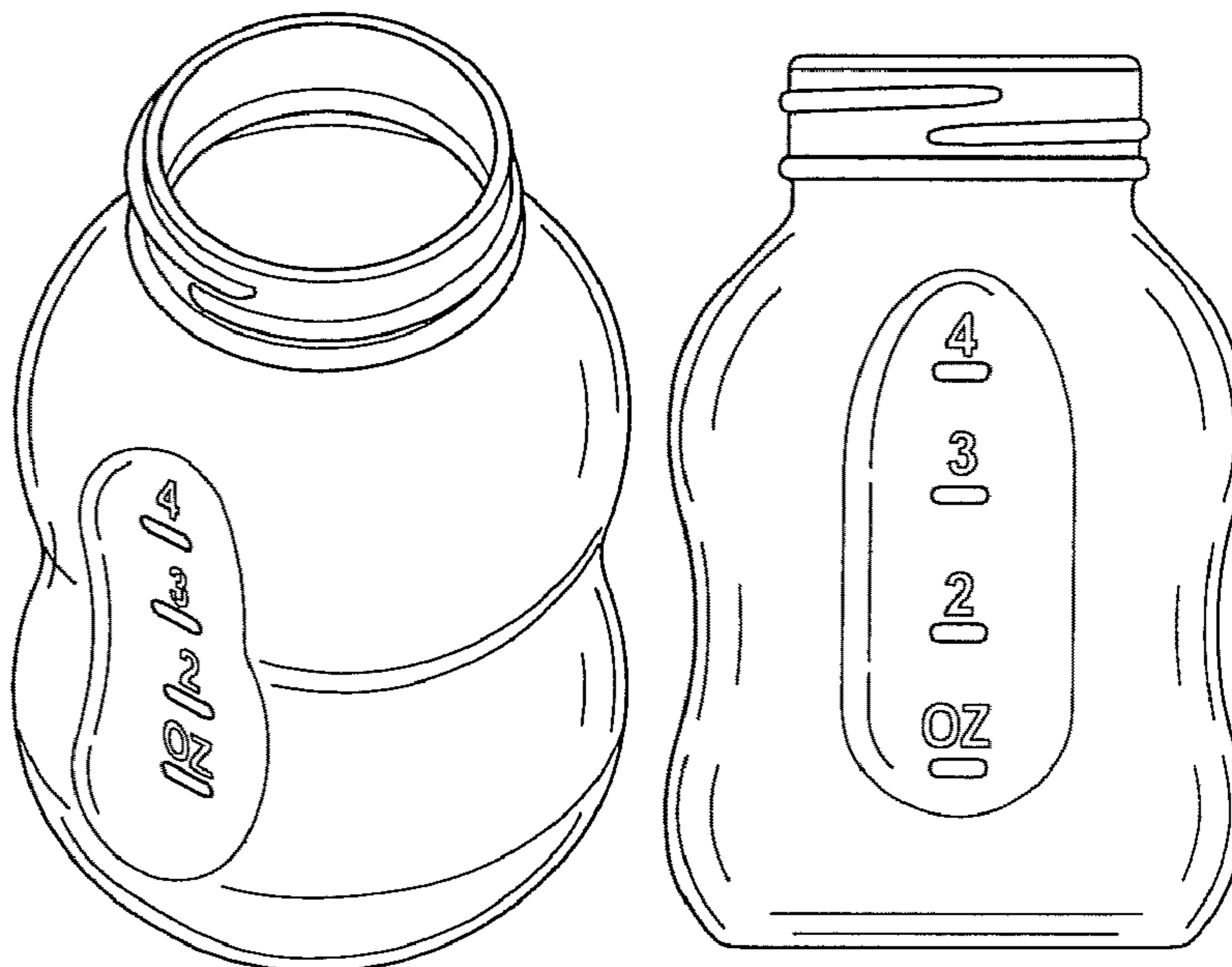
FIG. 2 is a front elevational view thereof;

FIG. 3 is a rear elevational view thereof;

FIG. 4 is a side elevational view thereof, taken from the right side of FIG. 2, the opposite side elevational view being identical thereto; and,

FIG. 5 is a top plan view thereof, the bottom plan view of the container forming no part of the claimed design.

1 Claim, 1 Drawing Sheet



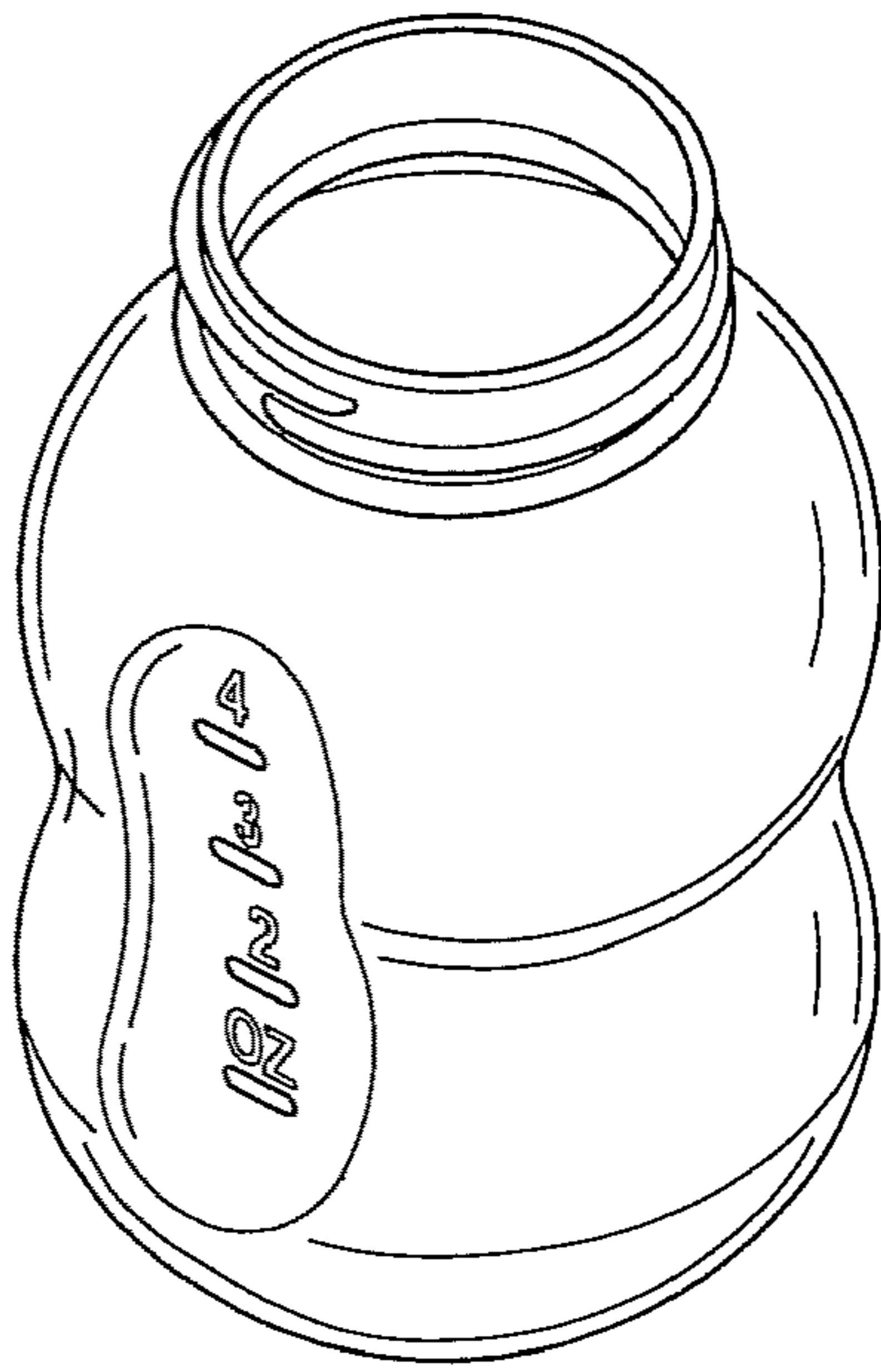


FIG. 1

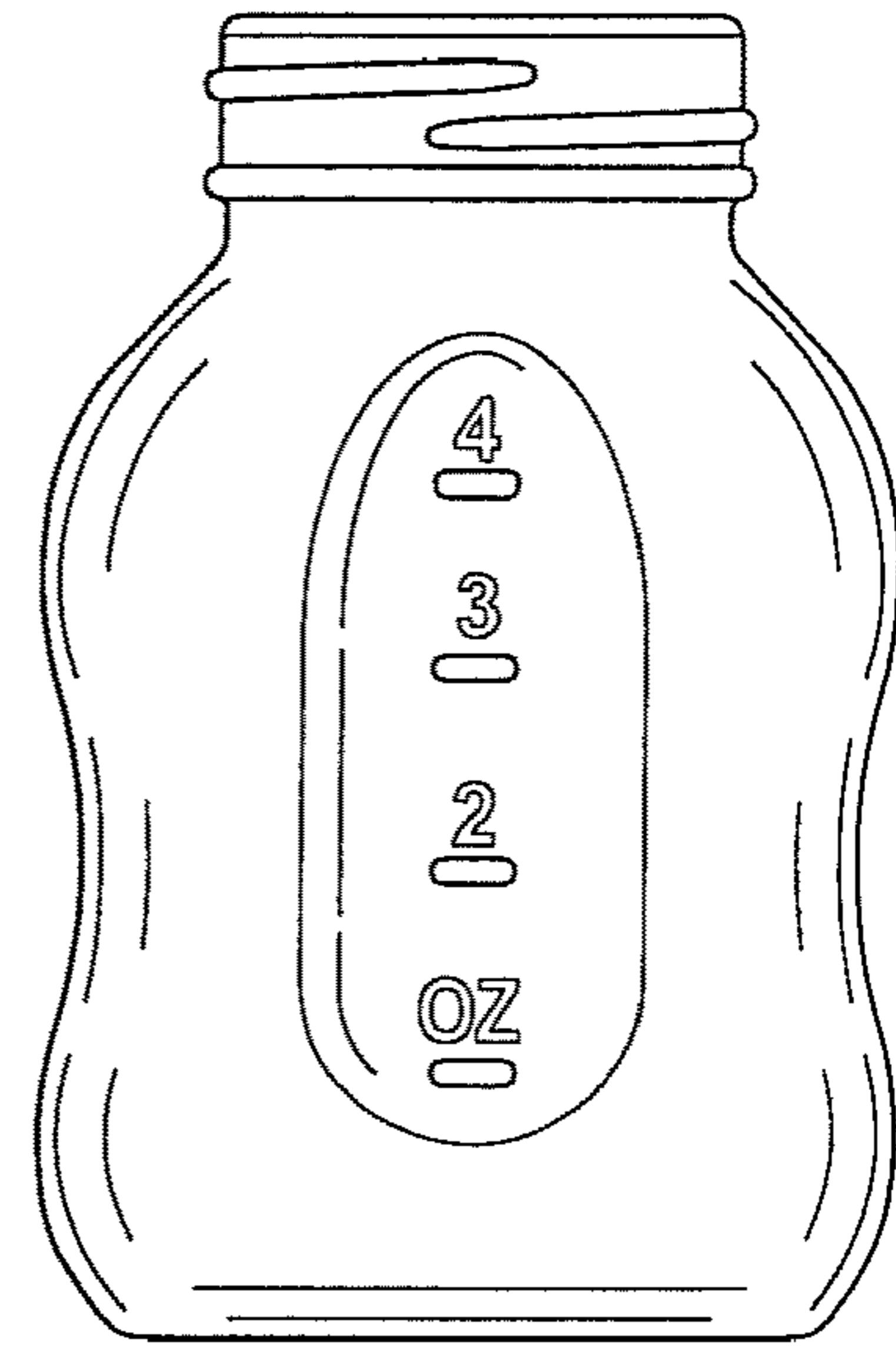


FIG. 2

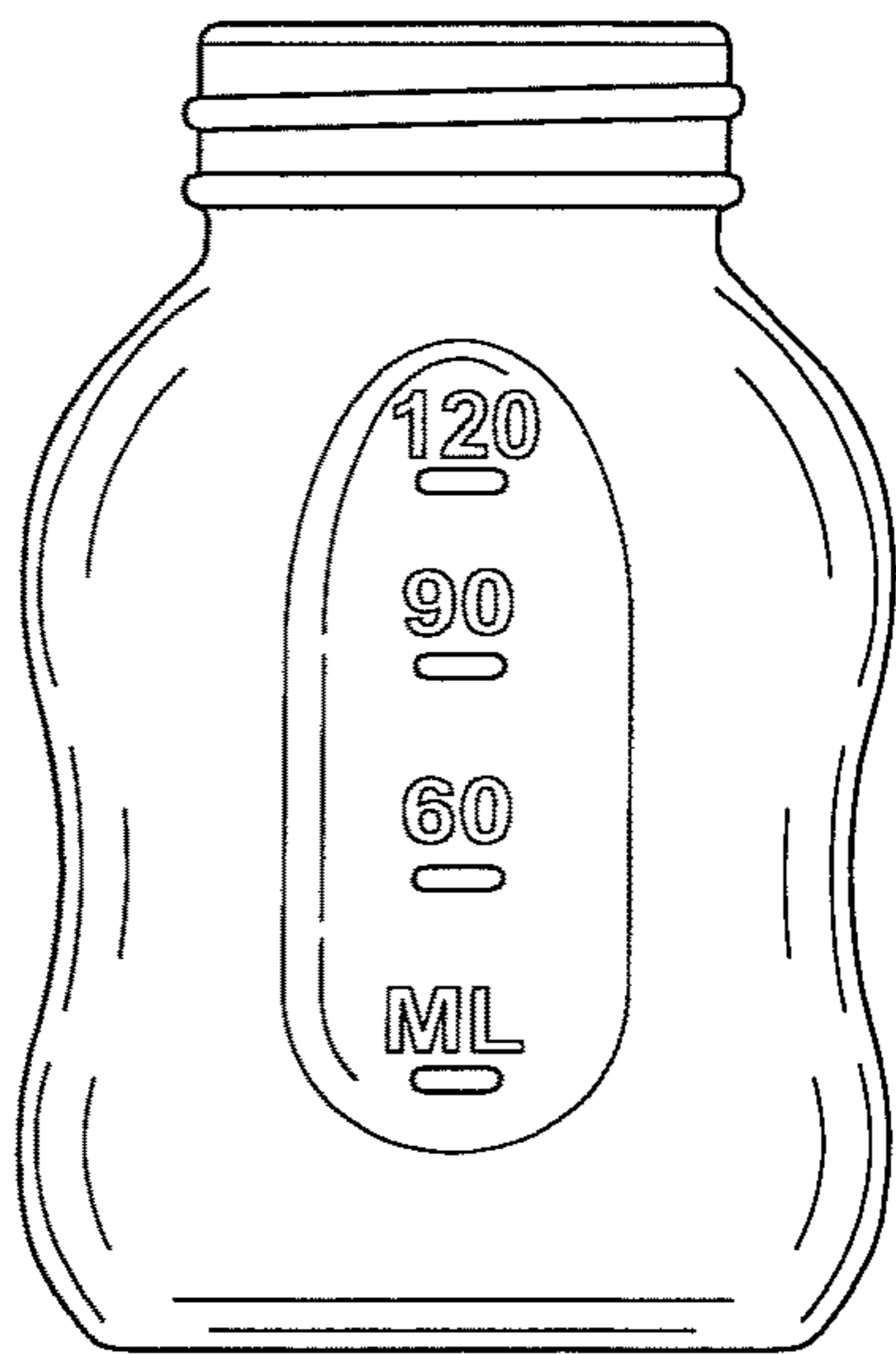


FIG. 3

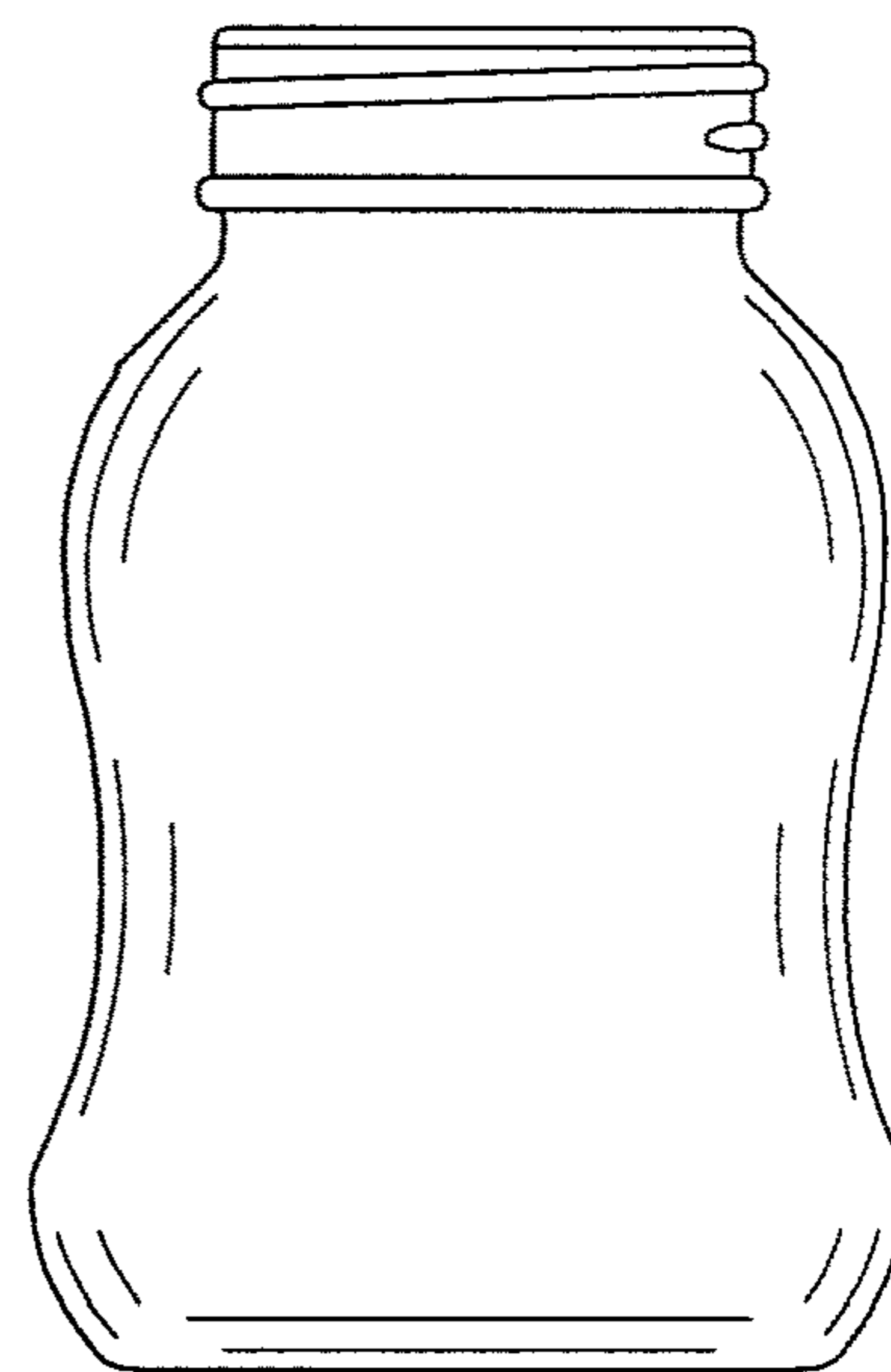


FIG. 4

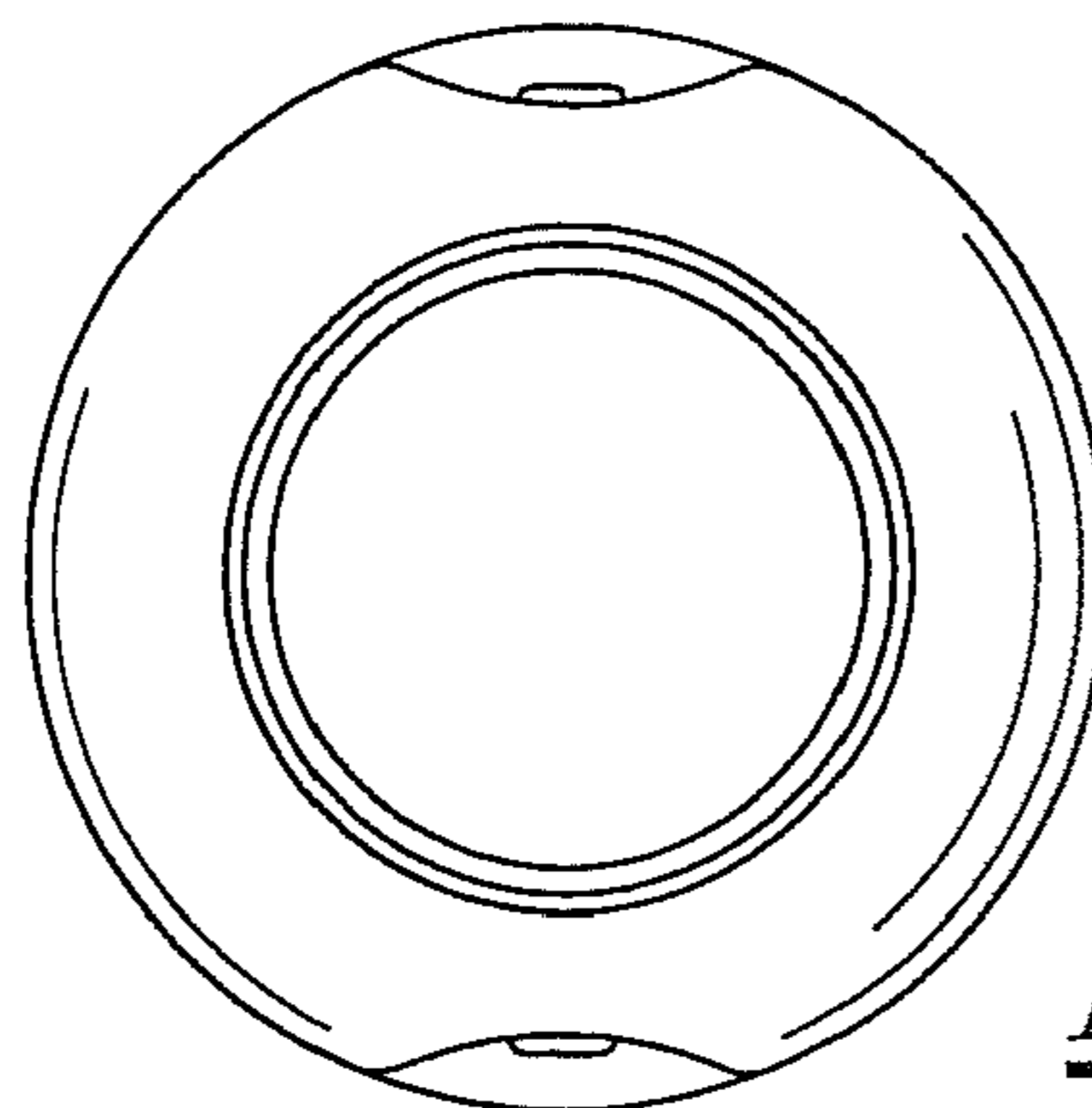


FIG. 5