



US00D605942S

(12) **United States Design Patent**
Miksovsky

(10) **Patent No.:** **US D605,942 S**

(45) **Date of Patent:** **** Dec. 15, 2009**

(54) **LID HAVING A CAP AND A STRAP**

(75) Inventor: **Christopher Alois Miksovsky**, San Francisco, CA (US)

(73) Assignee: **HumanGear, Inc.**, San Francisco, CA (US)

(**) Term: **14 Years**

(21) Appl. No.: **29/313,570**

(22) Filed: **Jan. 23, 2009**

(51) **LOC (9) Cl.** **09-07**

(52) **U.S. Cl.** **D9/446; D9/452**

(58) **Field of Classification Search** D9/454, D9/450, 449, 447, 446, 443, 438, 436, 435, D9/434; D7/510, 396.2, 391; 222/565, 556, 222/109, 498, 153.01–153.14; 221/63; 220/847, 220/838, 375, 367.1, 258.2, 257.1, 254.1–254.4; 215/306, 256, 249, 243, 237, 235, 230; 16/257
See application file for complete search history.

(56) **References Cited**

U.S. PATENT DOCUMENTS

2,155,329	A *	4/1939	Perdue	220/375
D174,205	S *	3/1955	Ward	D9/446
D185,179	S *	5/1959	Tupper	D9/436
D193,121	S *	6/1962	Wickman	D9/446
3,181,725	A *	5/1965	Friedl	220/293
D221,886	S *	9/1971	Gruett	D15/150
D280,802	S *	10/1985	Cho	D9/446
6,478,180	B1 *	11/2002	Dehn, Sr.	220/375
D478,005	S *	8/2003	Sali	D9/446

D528,910	S *	9/2006	Kingsley	D9/446
D530,200	S *	10/2006	Kingsley	D9/446
D587,569	S *	3/2009	Eveleth	D9/434
D596,458	S *	7/2009	McKinney	D7/510
2008/0087624	A1 *	4/2008	Buckley	215/230
2009/0236341	A1 *	9/2009	McKinney et al.	220/375

* cited by examiner

Primary Examiner—Susan Bennett Hattan

(57) **CLAIM**

The ornamental design for a lid having a cap and a strap, as shown and described.

DESCRIPTION

FIG. 1 is a front elevational view of a lid having a cap and a strap according to the present design as shown in use;

FIG. 2 is a top plan view of the lid having a cap and a strap according to the present design with the strap extending outwardly;

FIG. 3 is a front elevational view thereof;

FIG. 4 is a bottom plan view thereof;

FIG. 5 is a back elevational view thereof;

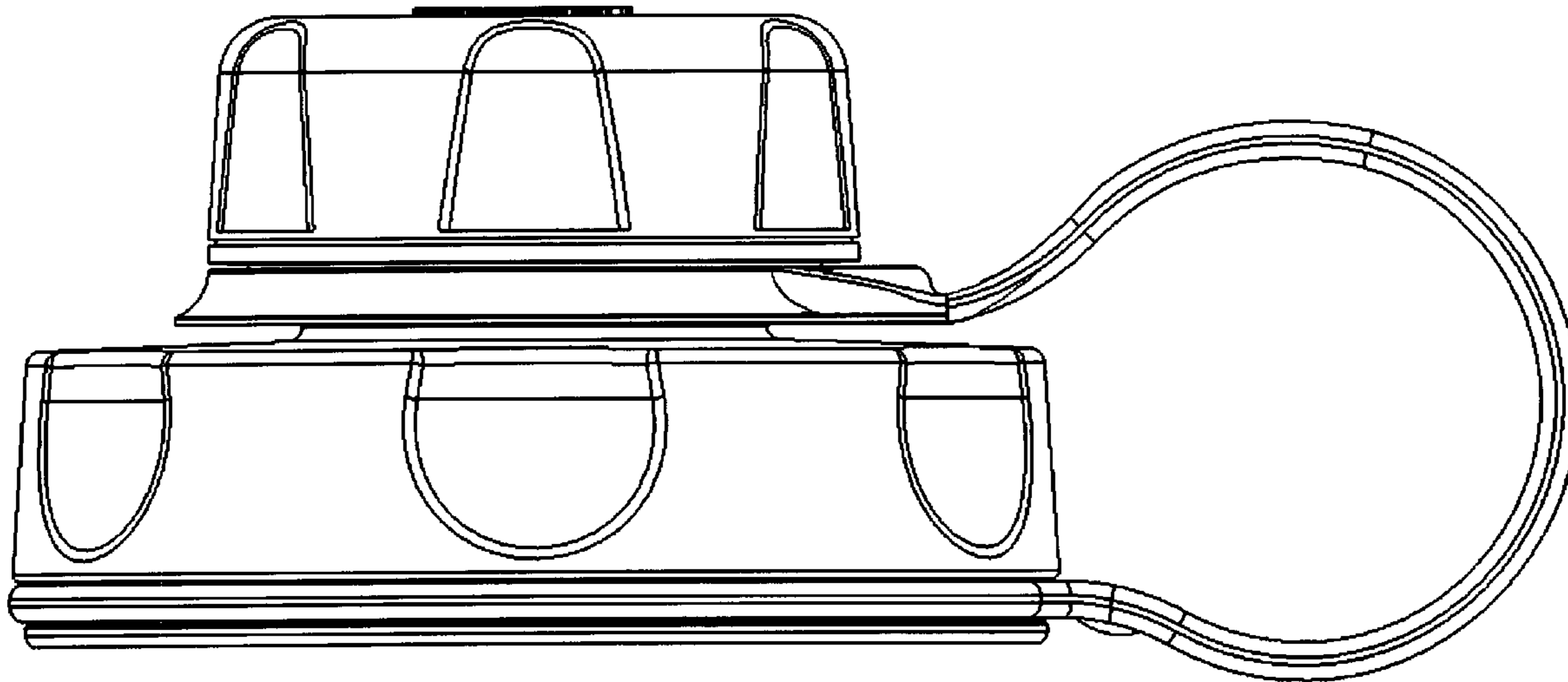
FIG. 6 is a first side elevational view thereof;

FIG. 7 is a second side elevational view thereof;

FIG. 8 is a cross-sectional view taken along line 8—8 of FIG. 4; and,

FIG. 9 is a cross-sectional view taken along line 9—9 of FIG. 4.

1 Claim, 8 Drawing Sheets



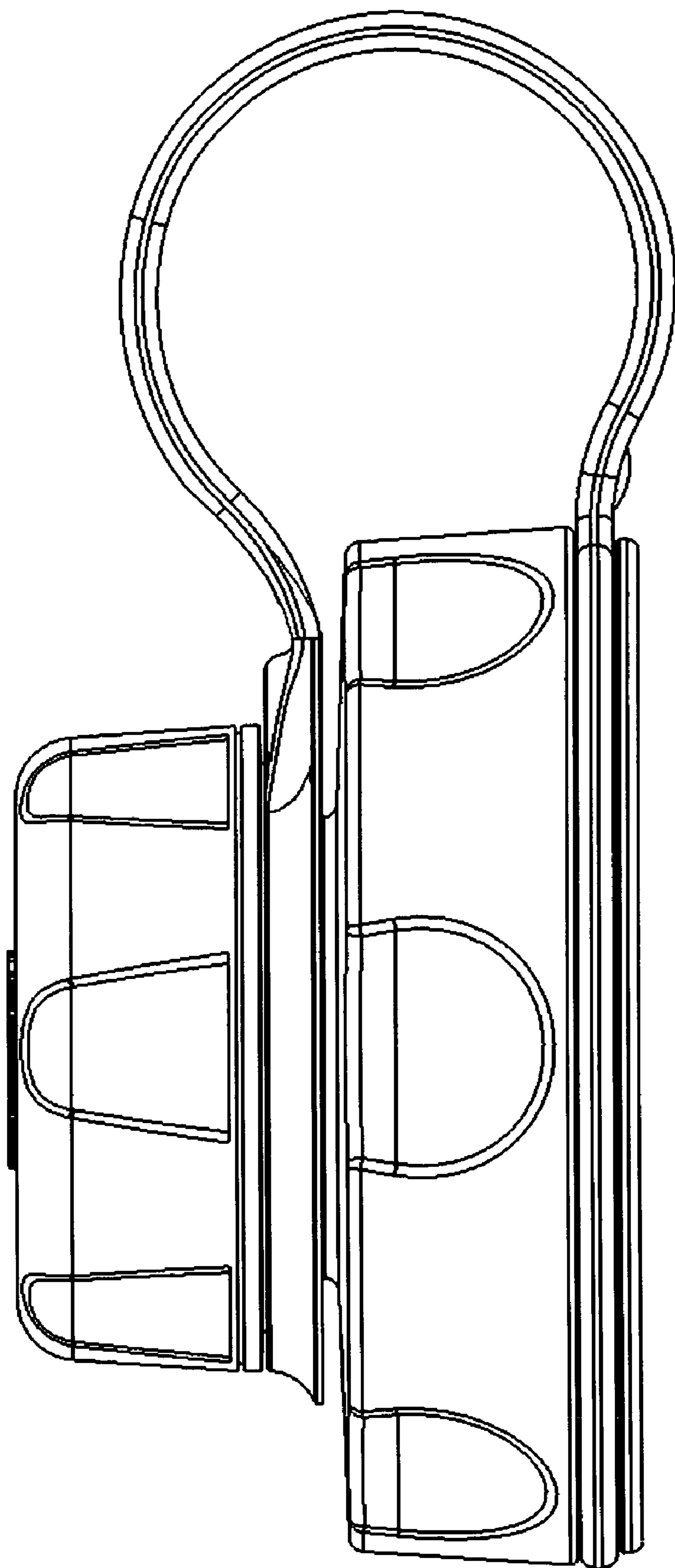


FIG. 1

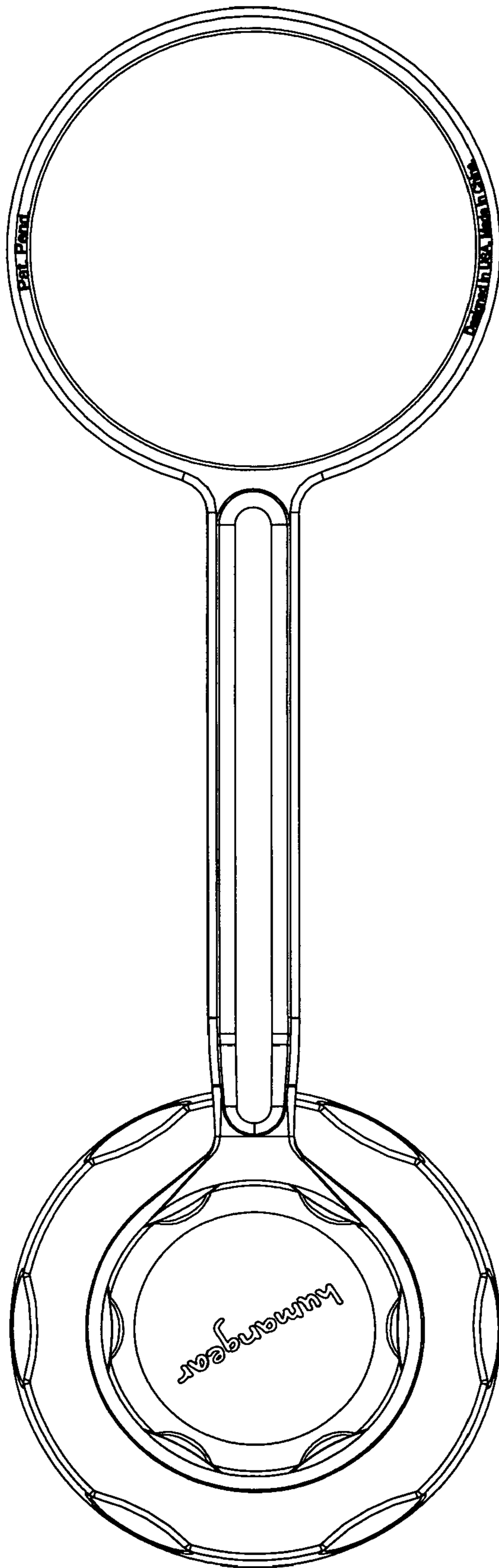


FIG. 2

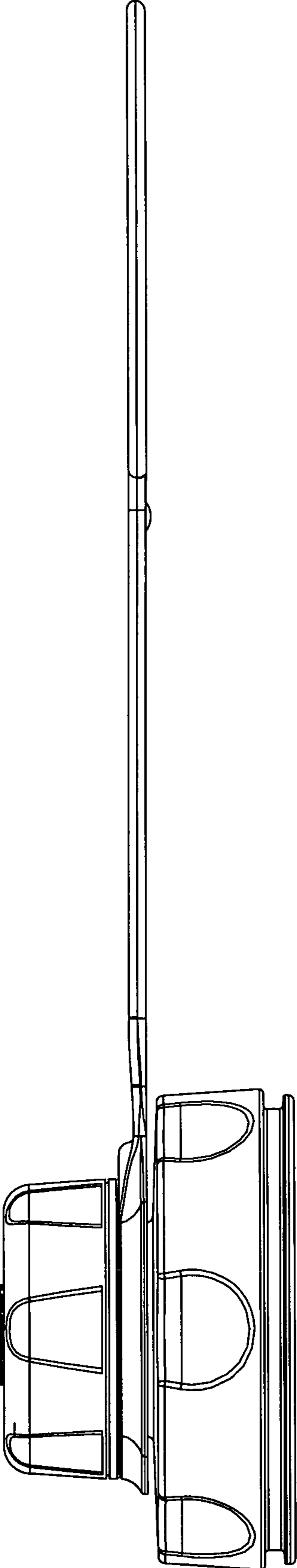


FIG. 3

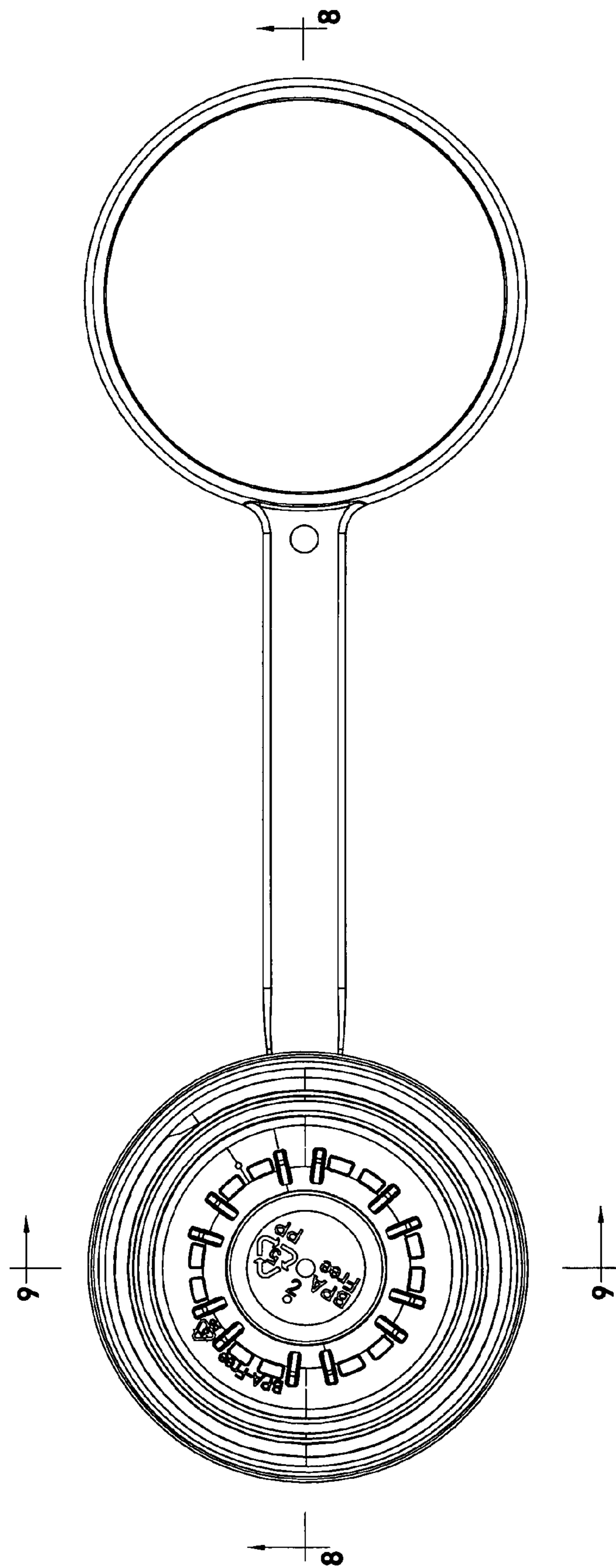


FIG. 4

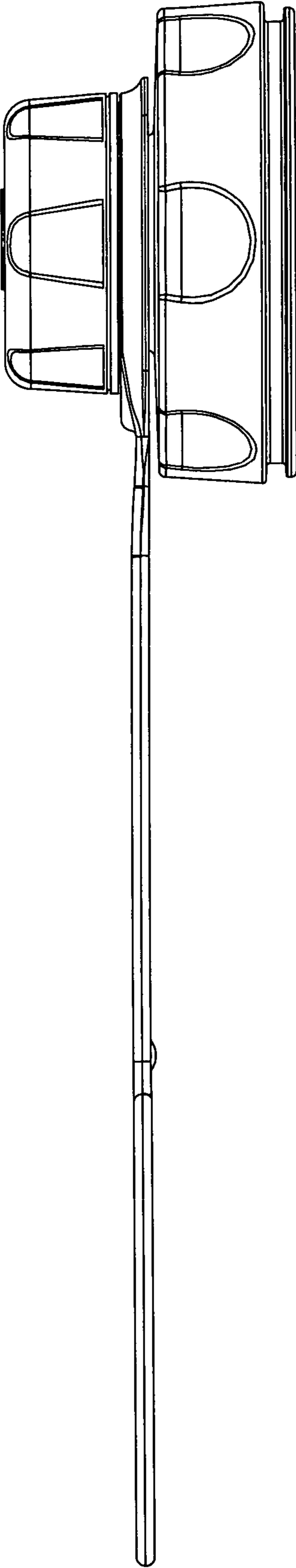


FIG. 5

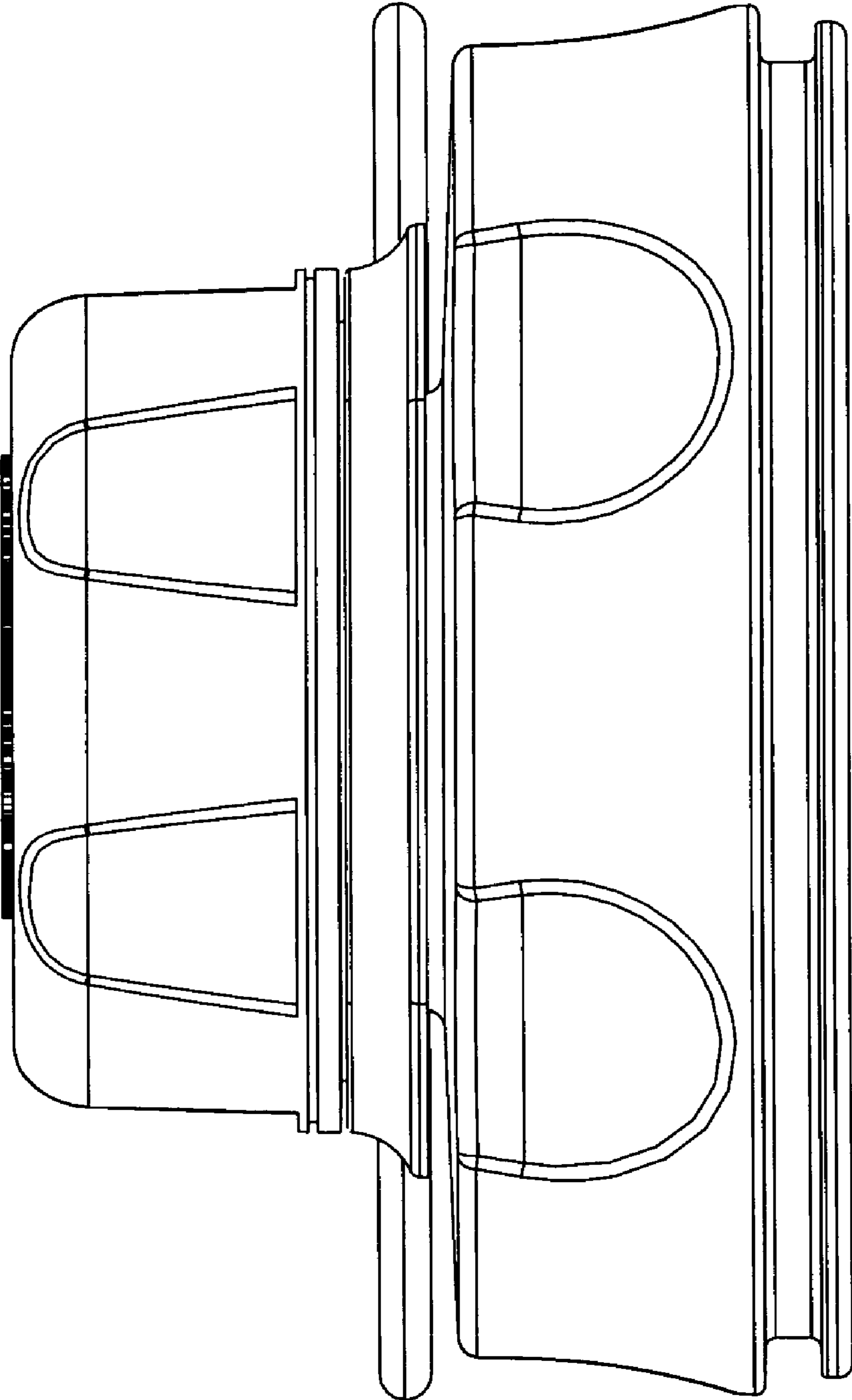


FIG. 6

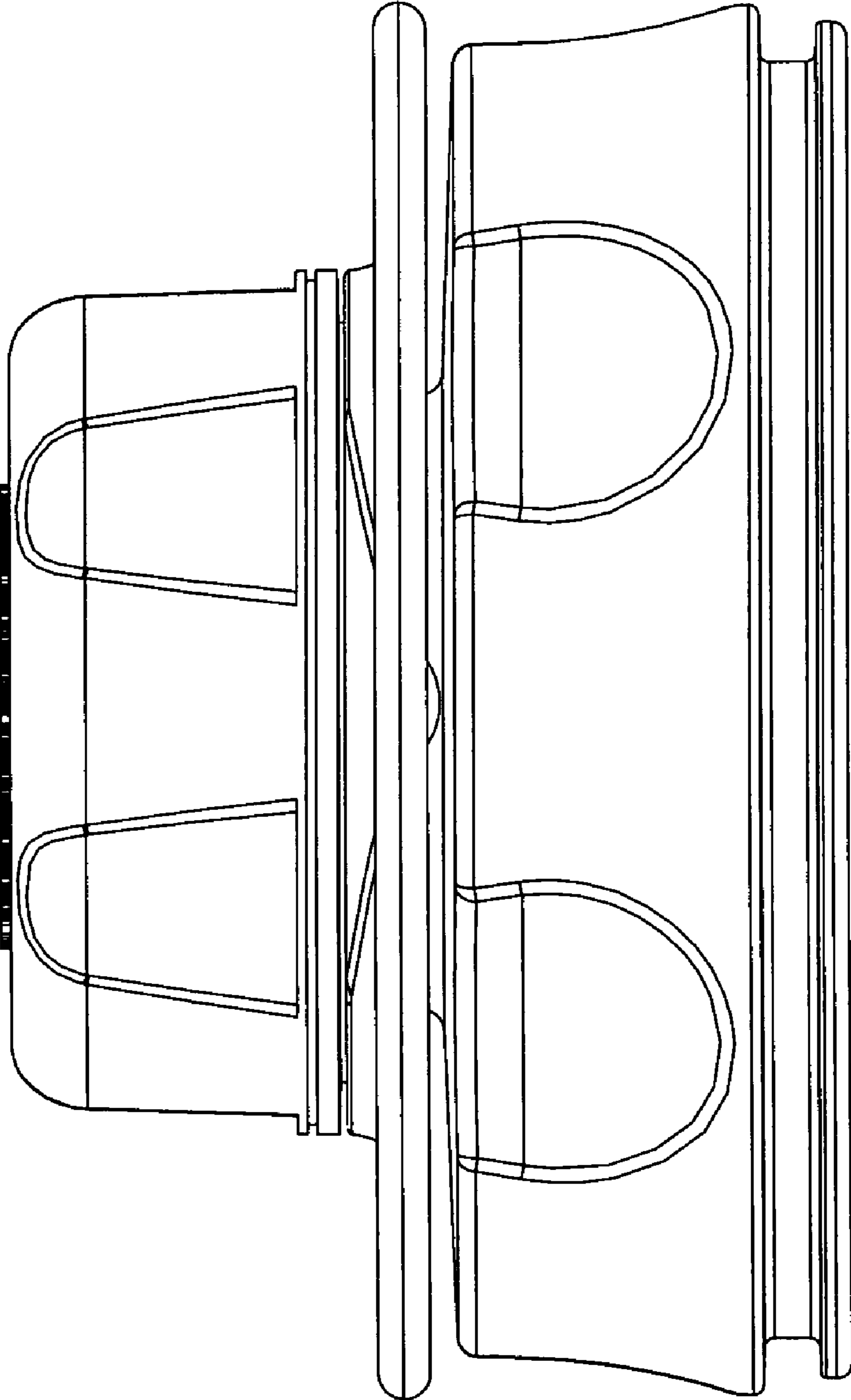


FIG. 7

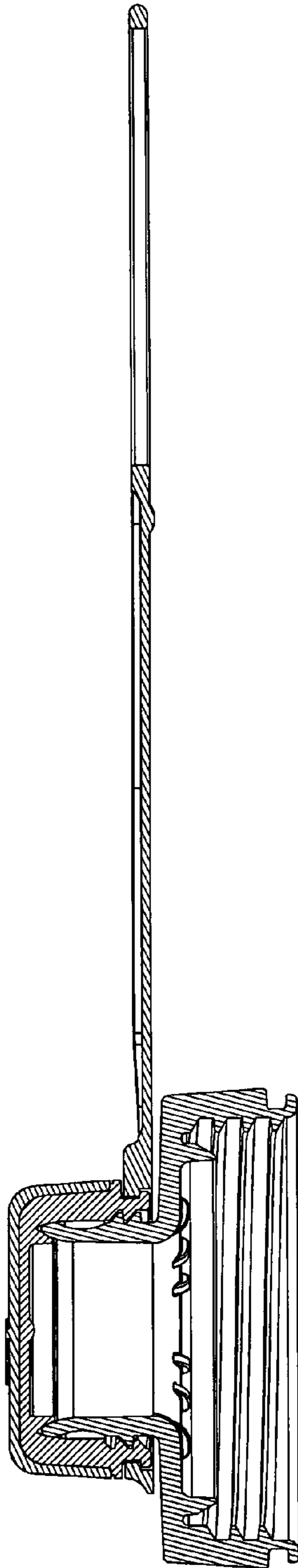


FIG. 8

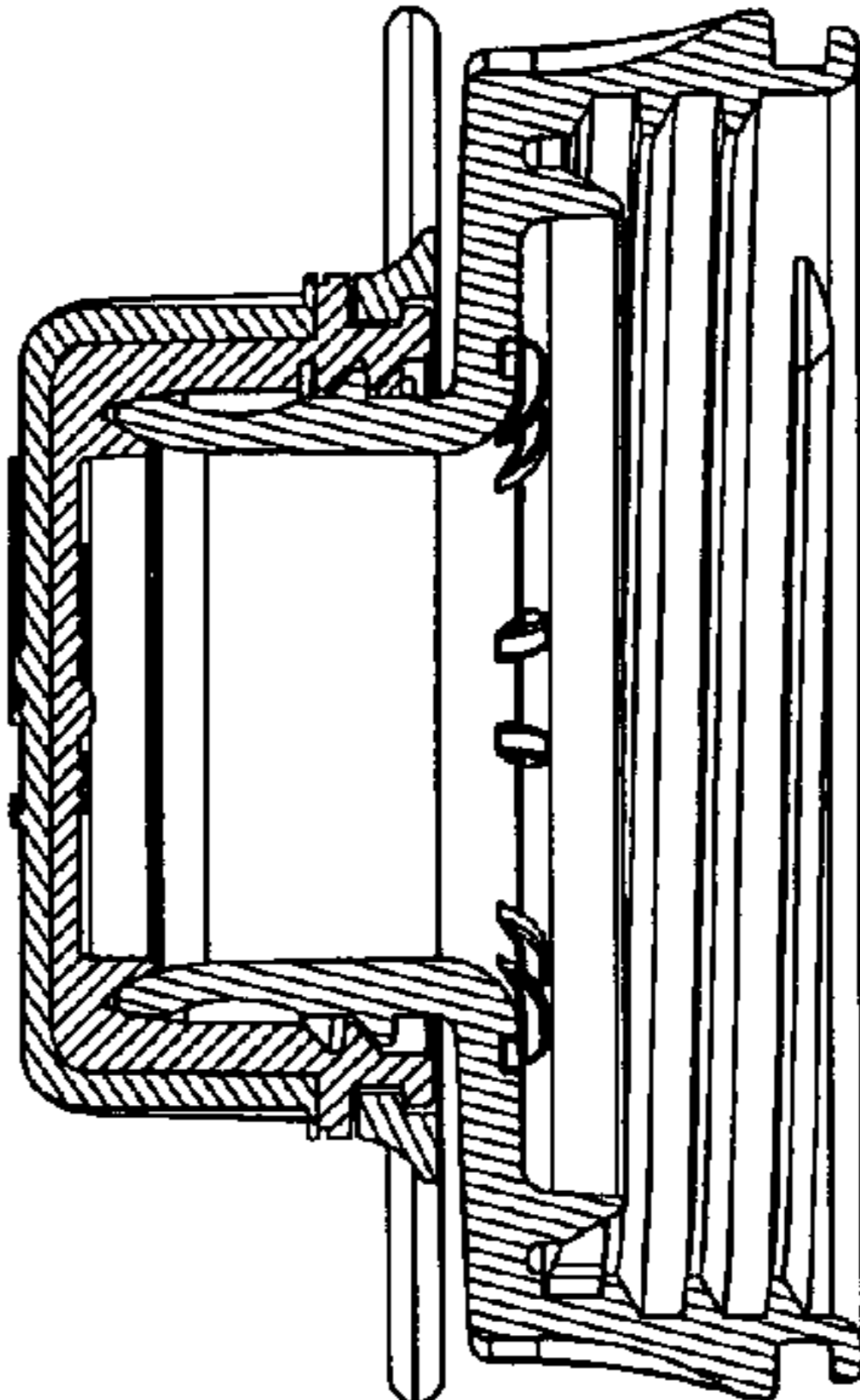


FIG. 9