



US00D605940S

(12) **United States Design Patent**
Lin

(10) **Patent No.:** **US D605,940 S**

(45) **Date of Patent:** **** Dec. 15, 2009**

(54) **MICROWAVEABLE SELF-VENTING LIDDING FOR CONTAINER**

Primary Examiner—Susan Bennett Hattan
(74) *Attorney, Agent, or Firm*—Alan Kamrath; Kamrath & Associates PA

(76) **Inventor:** **David Lin**, No.71, Lane 53, Kuang-Hwa Road, Shanhua, Tianan County (TW)

(57) **CLAIM**

(**) **Term:** **14 Years**

The ornamental design for a microwaveable self-venting lidding for container, as shown and described.

(21) **Appl. No.:** **29/333,881**

(22) **Filed:** **Mar. 17, 2009**

DESCRIPTION

(51) **LOC (9) Cl.** **09-07**

FIG. 1 is a perspective view of a microwaveable self-venting lidding for container showing my new design;

(52) **U.S. Cl.** **D9/435**

FIG. 2 is a front side elevational view thereof, the opposite side view being a mirror image thereof;

(58) **Field of Classification Search** D9/705,
D9/735, 520, 517, 516, 456, 455, 454, 452,
D9/444, 445, 438, 436, 435, 434, 433, 432,
D9/416, 499; D26/51; 428/138; 362/101;
229/404, 128, 110, 103.3; 220/630; 206/776,
206/755, 754, 583, 522, 453, 390, 232
See application file for complete search history.

FIG. 3 is a left side elevational view thereof, the opposite side view being a mirror image thereof;

FIG. 4 is a top plan view thereof;

FIG. 5 is a bottom plan view thereof;

FIG. 6 is an enlarged view of the portion of FIG. 2 indicated by a dashed circle 6;

FIG. 7 is a perspective view of the microwaveable self-venting lidding for container in a condition of use showing a tab on a venting zone being sealed; and,

FIG. 8 is a perspective view of the microwaveable self-venting lidding for container in a condition of use showing a tab on a venting zone being released.

The broken lines in the drawings depict environmental subject matter only and form no part of the claimed design.

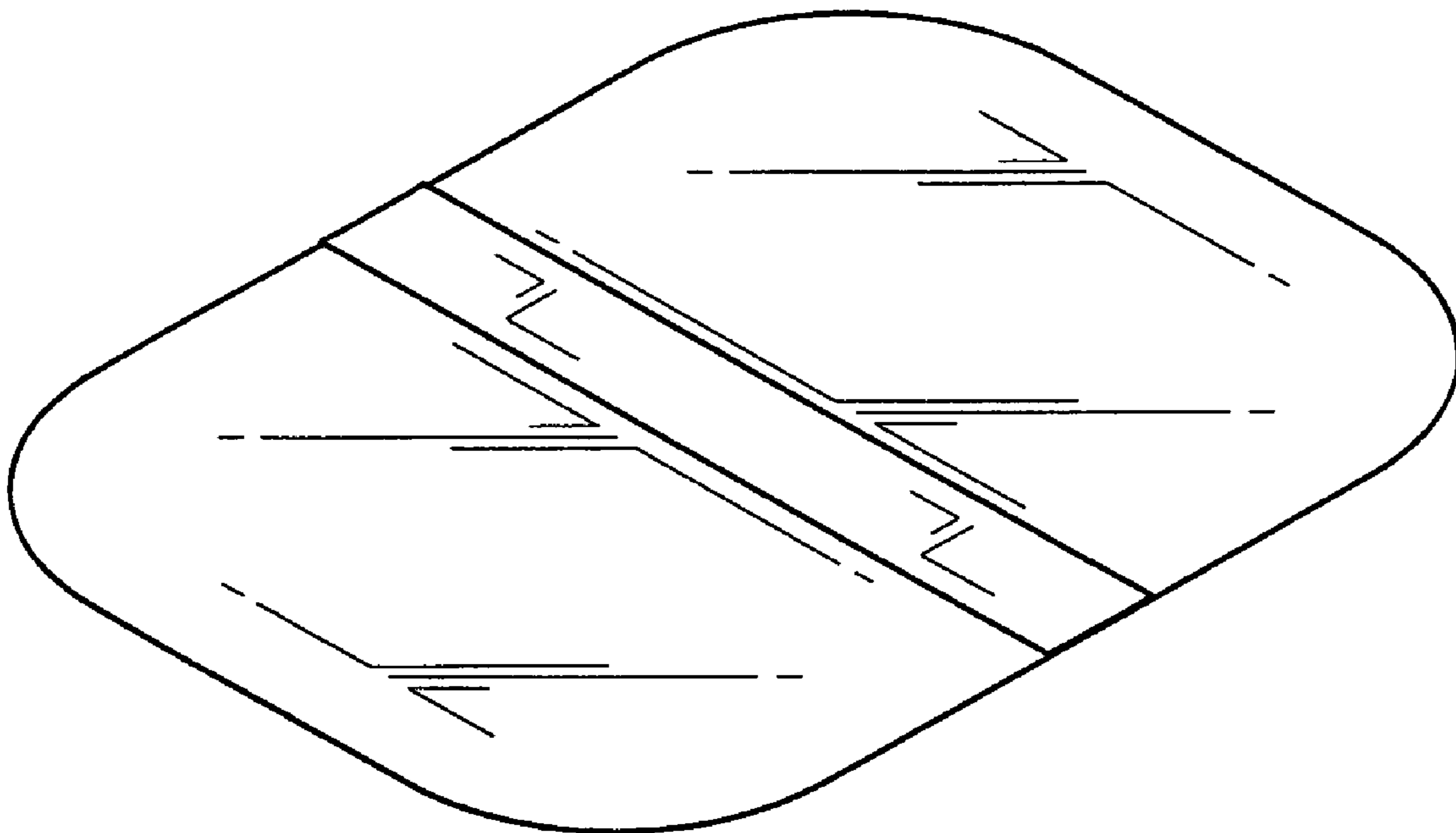
(56) **References Cited**

U.S. PATENT DOCUMENTS

| | | | | |
|----------------|--------|---------------|-------|-----------|
| 3,946,871 A * | 3/1976 | Sturm | | 220/359.2 |
| D320,160 S * | 9/1991 | Brown | | D9/416 |
| D356,497 S * | 3/1995 | Zimmerman | | D9/435 |
| 6,889,839 B1 * | 5/2005 | Rosten et al. | | 206/583 |
| D534,797 S * | 1/2007 | El-Afandi | | D9/434 |
| D571,200 S * | 6/2008 | Bouvet et al. | | D9/435 |

* cited by examiner

1 Claim, 4 Drawing Sheets



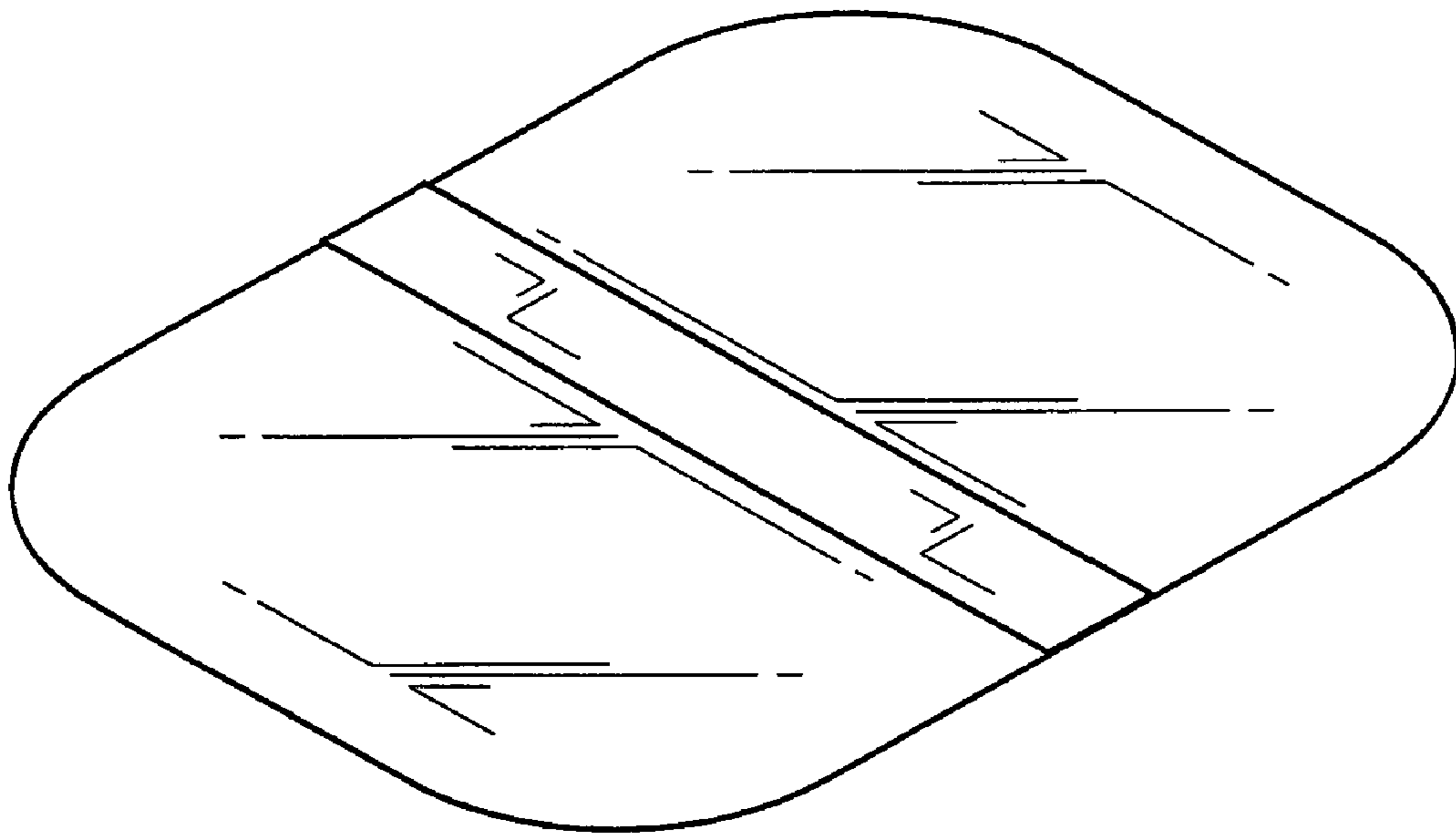


FIG. 1

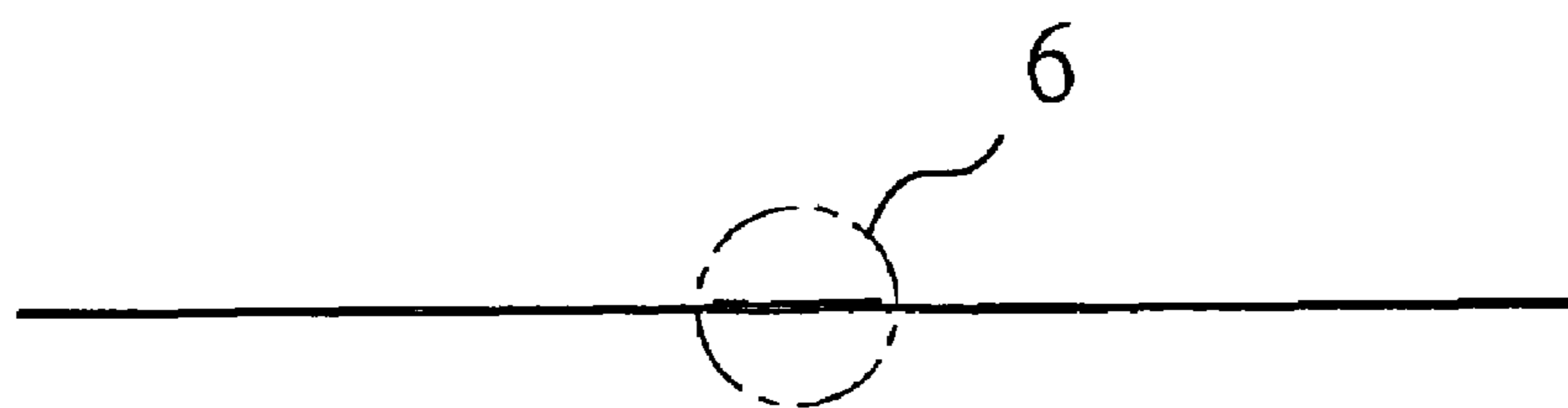


FIG. 2



FIG. 3

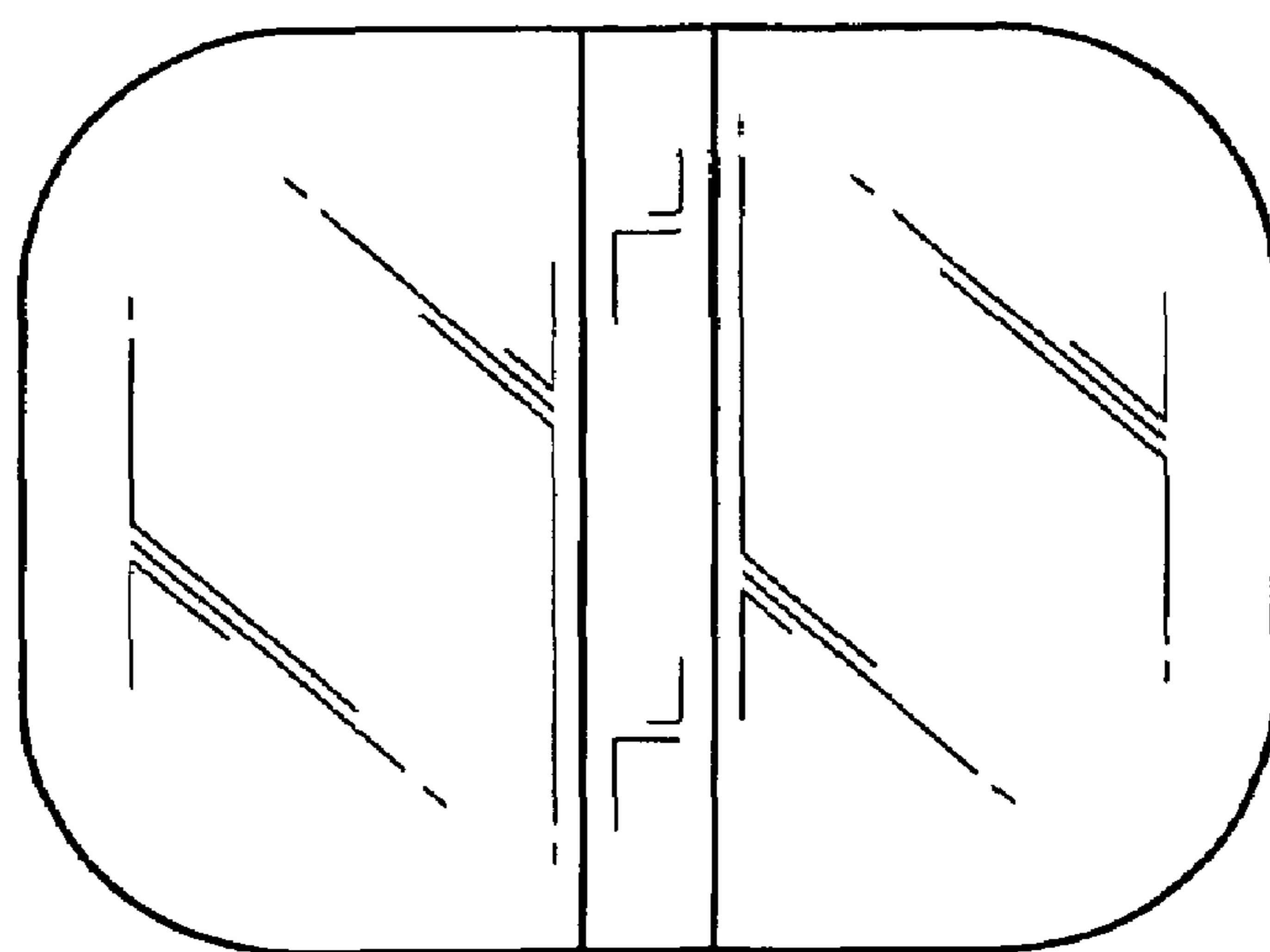


FIG. 4

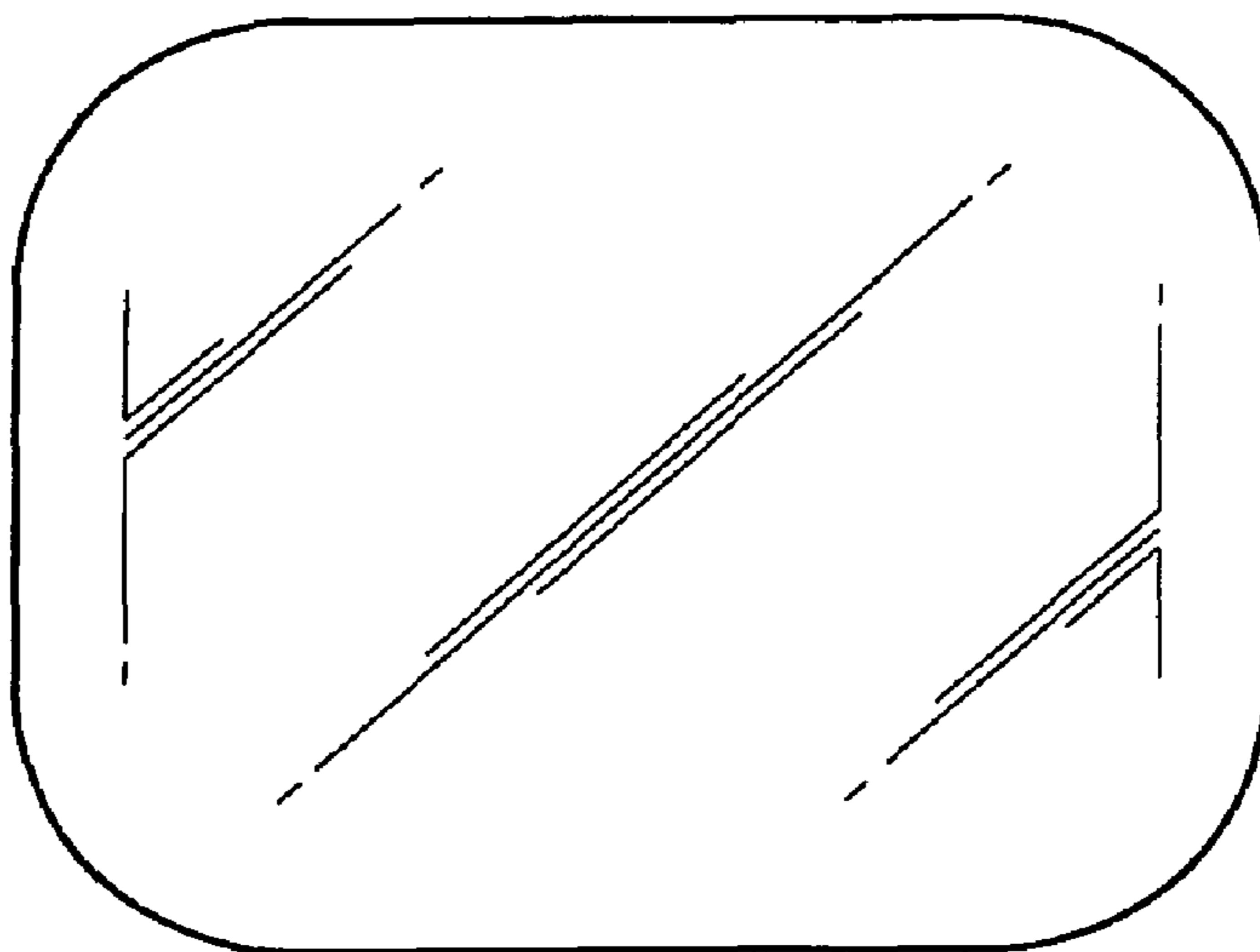


FIG. 5

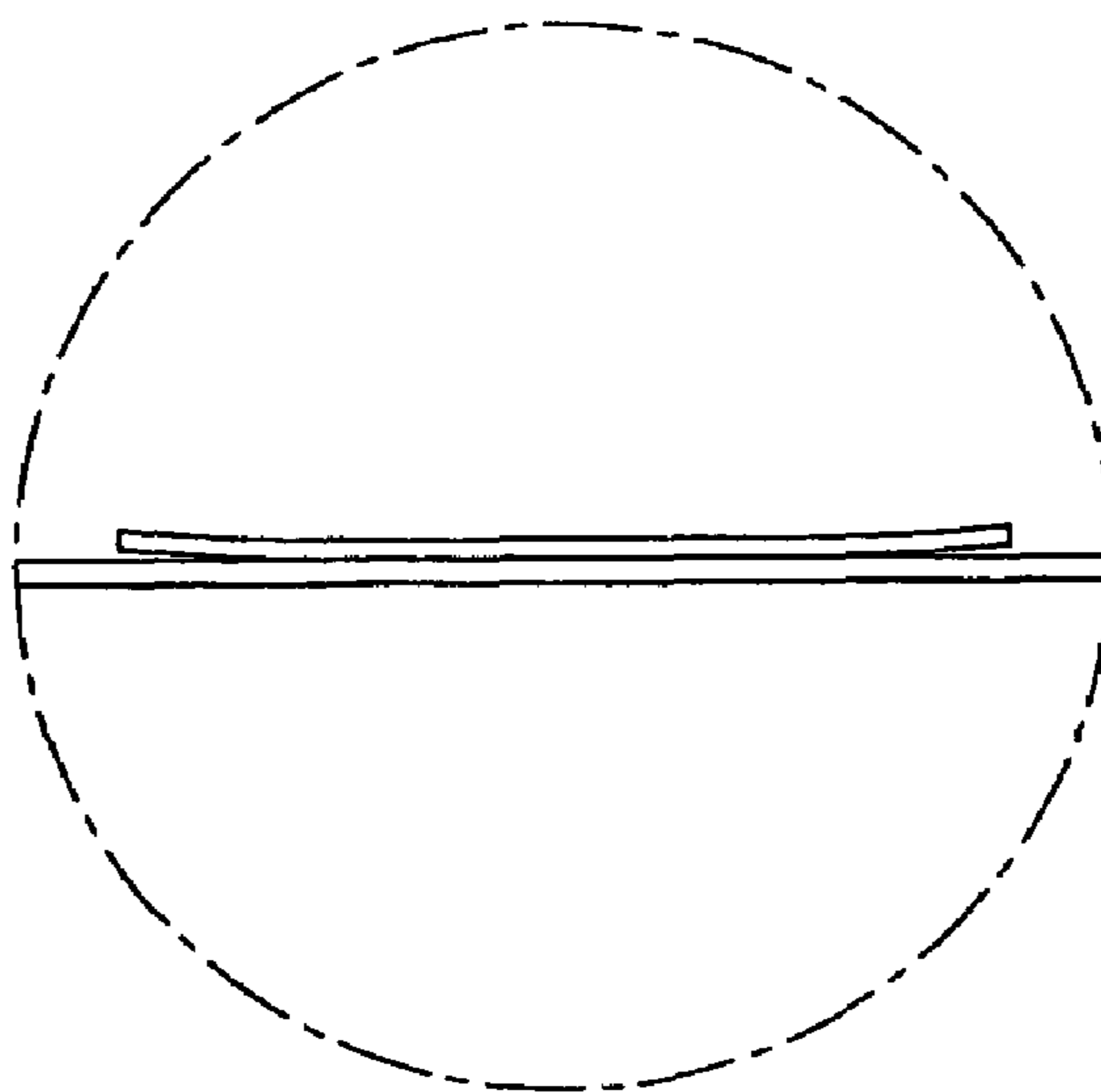


FIG. 6

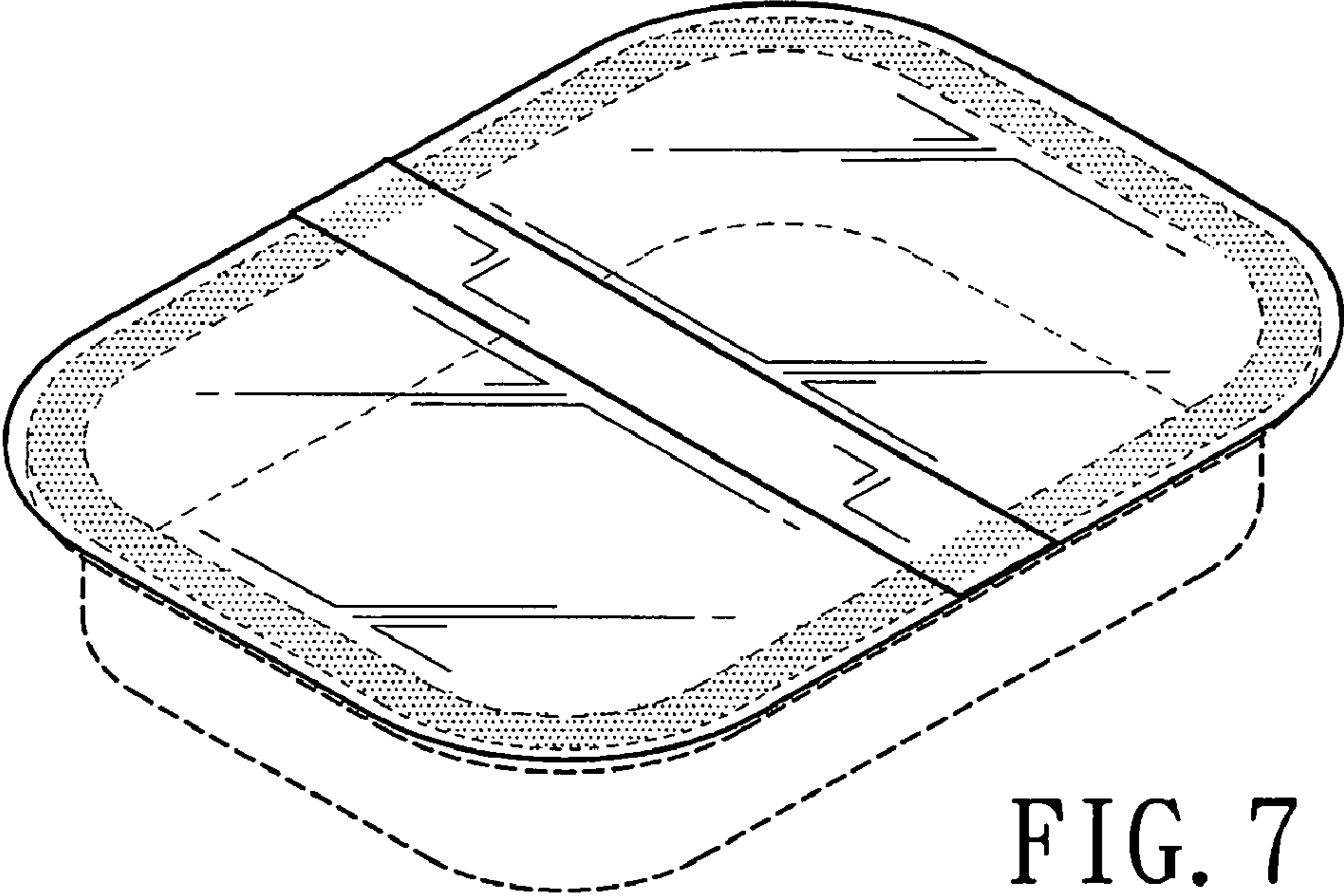


FIG. 7

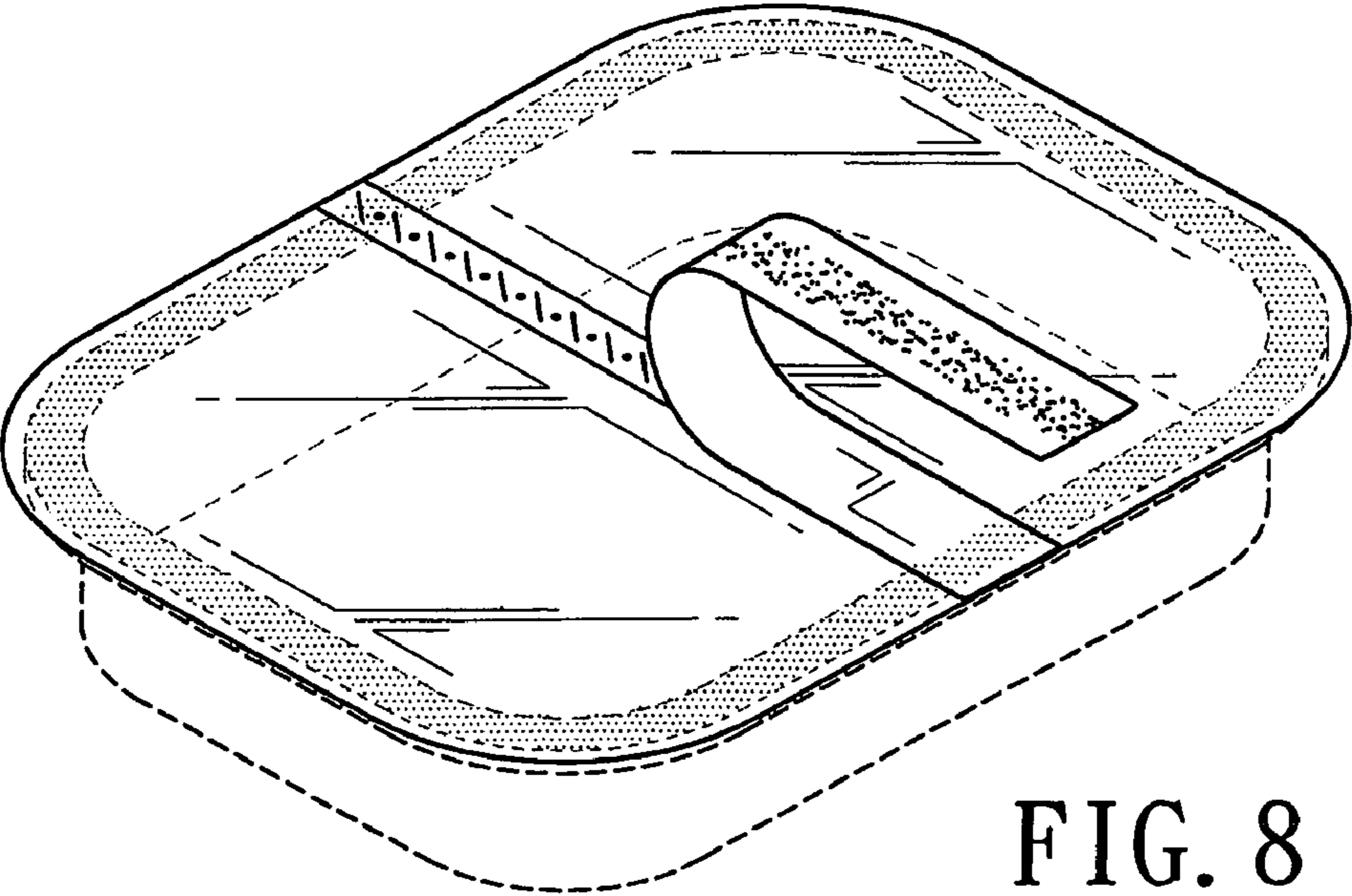


FIG. 8