



US00D605939S

(12) **United States Design Patent**
Abbott

(10) **Patent No.:** **US D605,939 S**

(45) **Date of Patent:** **** *Dec. 15, 2009**

(54) **CONTAINER CLOSURE**

(75) Inventor: **Phillip G. Abbott**, Louisville, TN (US)

(73) Assignee: **Shamrock Cups, LLC**, Louisville, TN (US)

(*) Notice: This patent is subject to a terminal disclaimer.

(**) Term: **14 Years**

(21) Appl. No.: **29/331,407**

(22) Filed: **Jan. 26, 2009**

Related U.S. Application Data

(63) Continuation-in-part of application No. 29/306,916, filed on Apr. 18, 2008.

(51) **LOC (9) Cl.** **09-07**

(52) **U.S. Cl.** **D9/435**

(58) **Field of Classification Search** D9/705,
D9/635, 520, 517, 516, 456, 455, 454, 452,
D9/444, 445, 438, 436, 435, 434, 433, 432,
D9/416, 499; D26/51; 428/138; 362/101;
229/404, 128, 110, 103.3; 220/630; 206/776,
206/755, 754, 583, 522, 453, 390, 232; D7/509,
D7/511, 396.2, 624.2, 602

See application file for complete search history.

(56) **References Cited**

U.S. PATENT DOCUMENTS

727,723 A * 5/1903 Webb 229/153

2,047,804 A *	7/1936	Shapiro	229/138
3,809,310 A *	5/1974	VanderLugt, Jr.,	229/110
4,289,267 A *	9/1981	Mayea	229/109
D402,197 S *	12/1998	Poulin	D9/712
D406,058 S *	2/1999	Allmon	D9/433
5,921,465 A *	7/1999	Garton	229/109
6,176,420 B1 *	1/2001	Sarson et al.	229/128
D459,652 S *	7/2002	Beutler	D9/433
D495,209 S *	8/2004	Tranfaglia et al.	D7/512
D588,453 S *	3/2009	Glade	D9/430
D592,504 S *	5/2009	Jacobsson	D9/435

* cited by examiner

Primary Examiner—Susan Bennett Hattan

(74) *Attorney, Agent, or Firm*—Luedeka, Neely & Graham, PC

(57) **CLAIM**

The ornamental design for a container closure, as shown and described.

DESCRIPTION

FIG. 1 is a front perspective view of the container closure of my new design;

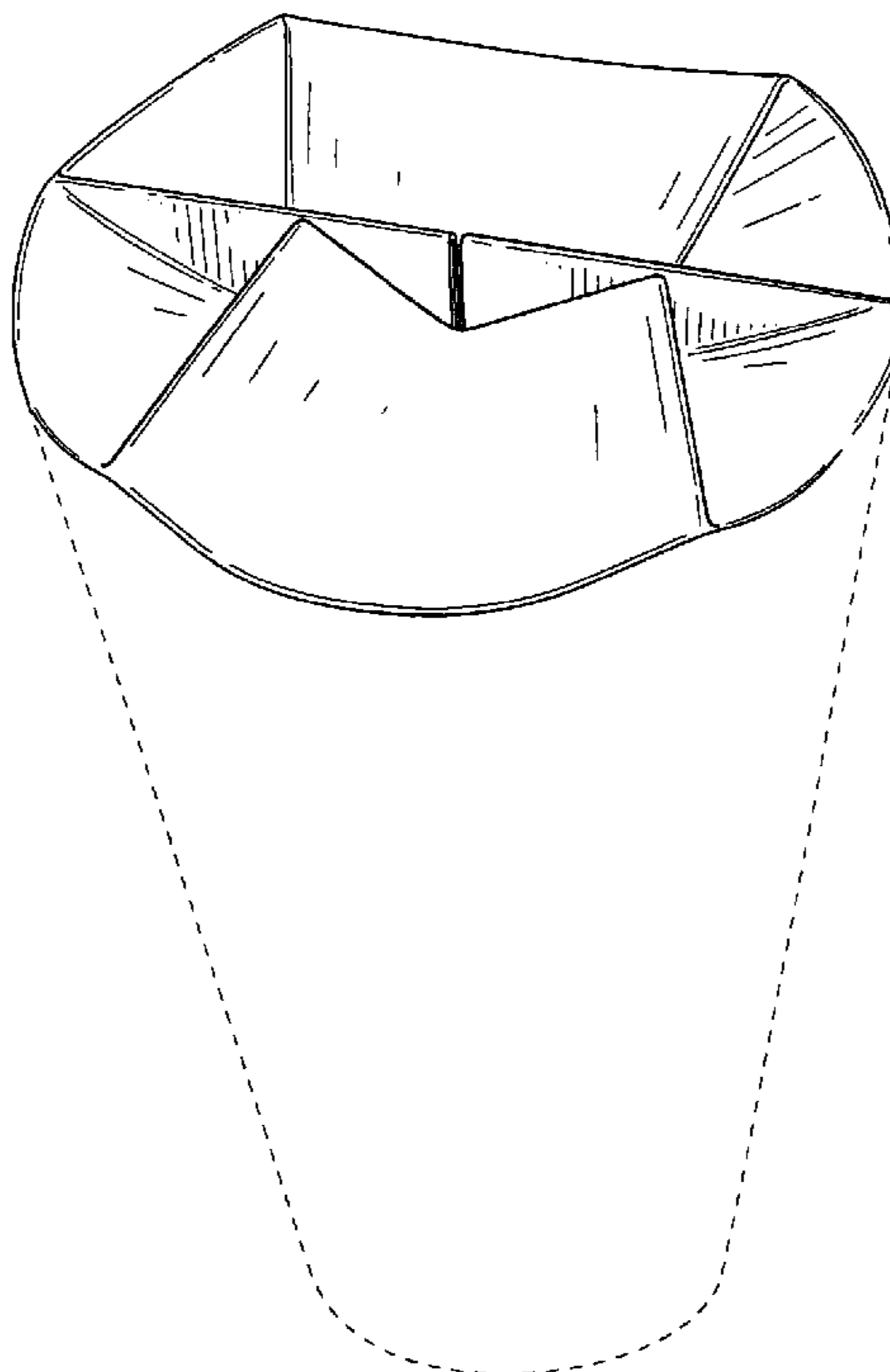
FIG. 2 is a top plan view of the container closure of my new design;

FIG. 3 is a front view of the container closure of my new design, the rear view being identical thereto; and,

FIG. 4 is a left side view of the container closure of my new design, the right side view being identical thereto.

The broken lines in the drawings are for illustrative purposes only and form no part of the claimed design.

1 Claim, 4 Drawing Sheets



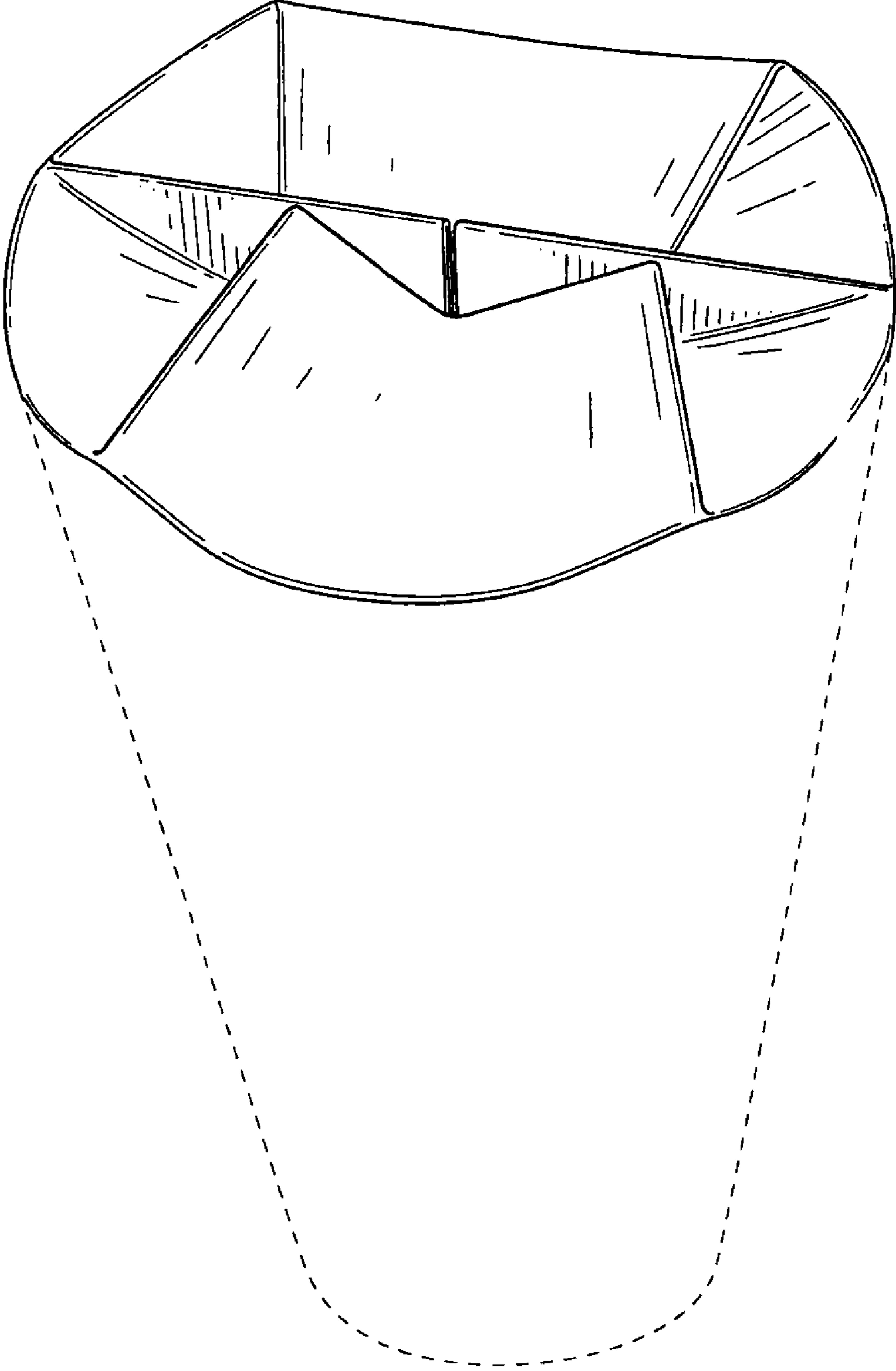


FIG. 1

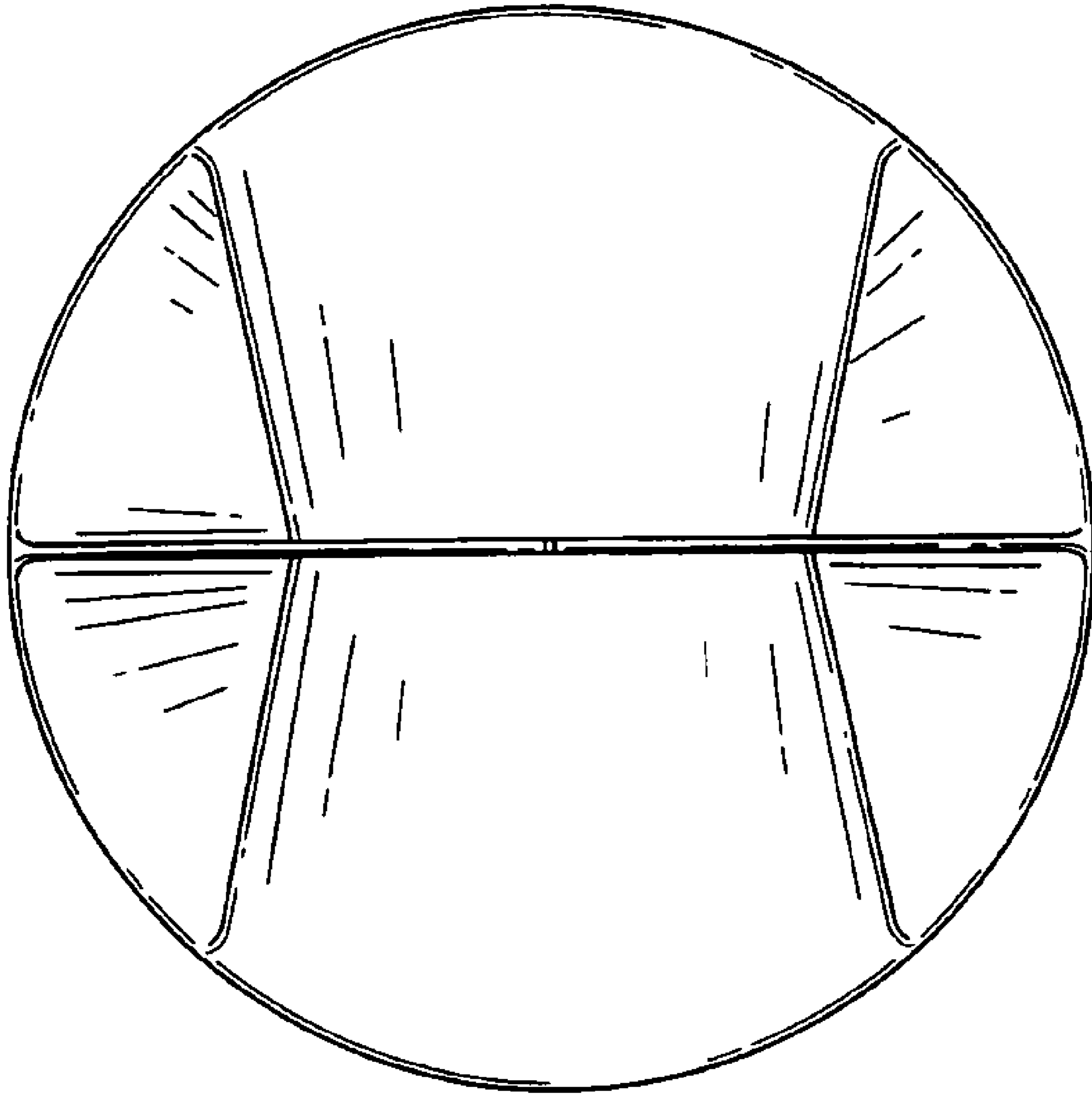


FIG. 2

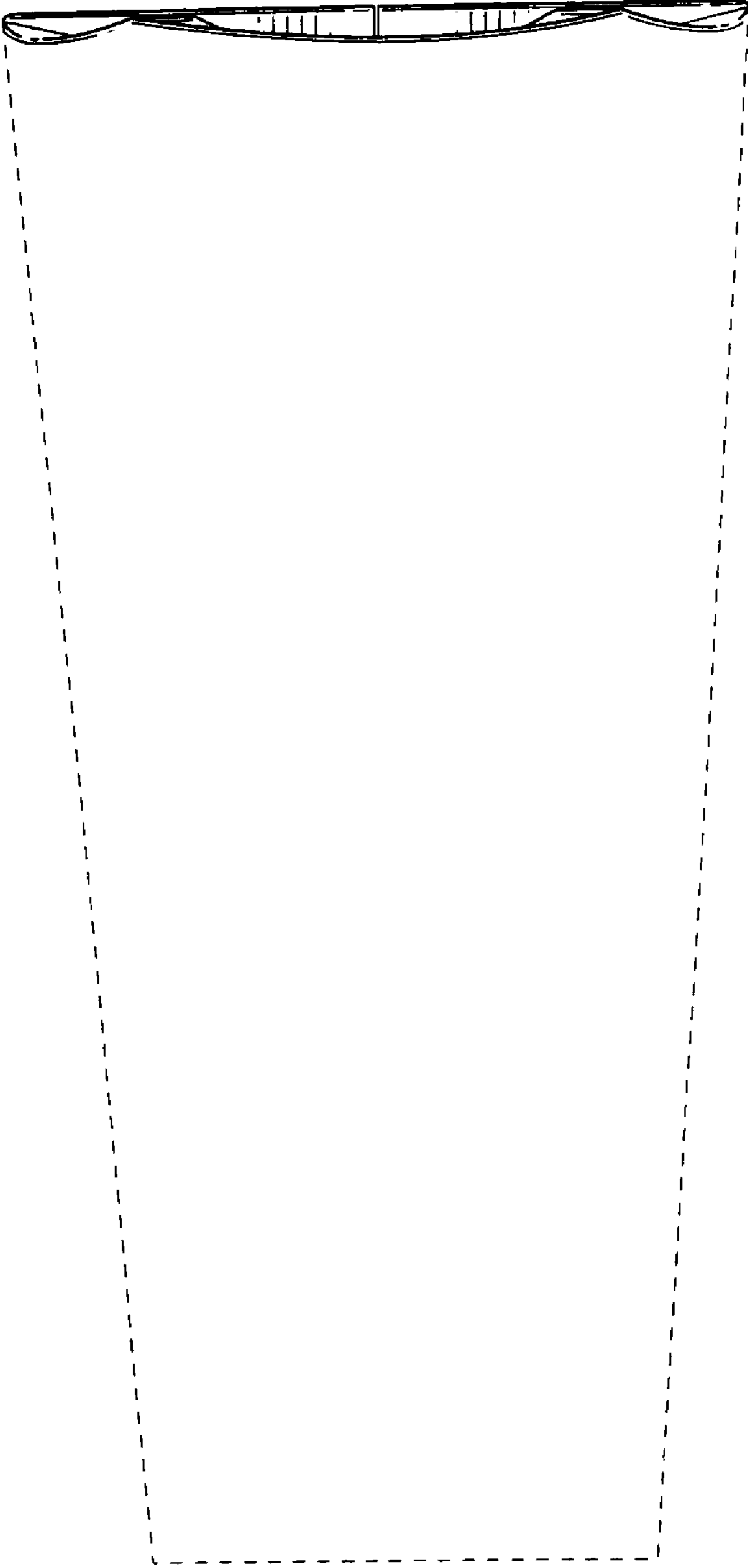


FIG. 3

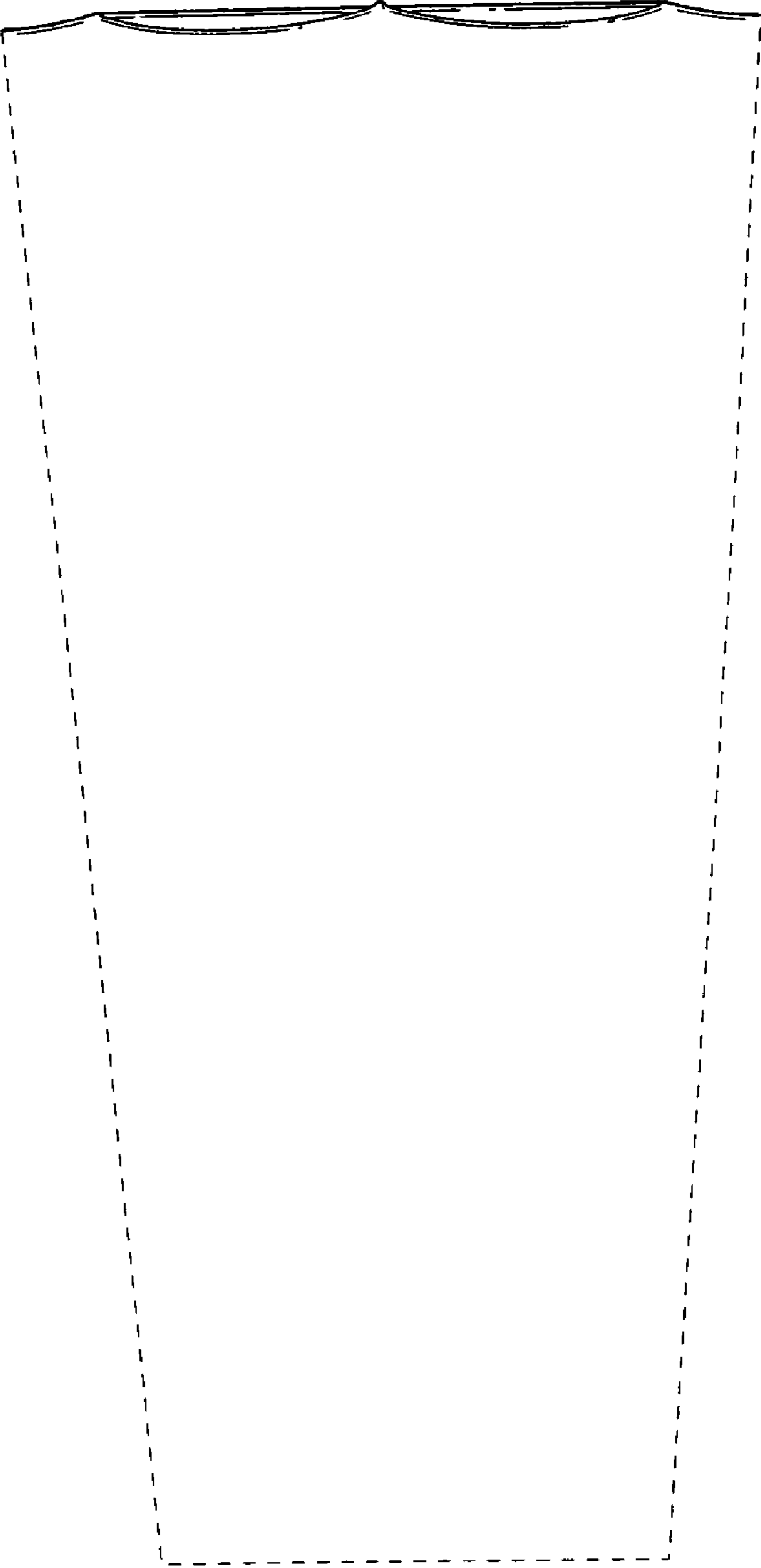


FIG. 4