



US00D605937S

(12) **United States Design Patent**  
**Lovelace, Jr. et al.**

(10) **Patent No.:** **US D605,937 S**

(45) **Date of Patent:** **\*\* Dec. 15, 2009**

(54) **HANDLE FOR CONTAINER**

(75) Inventors: **Richard A. Lovelace, Jr.**, Munroe Falls, OH (US); **James J. Miller**, Barberton, OH (US)

(73) Assignee: **Plastipak Packaging, Inc.**, Plymouth, MI (US)

(\*\*) Term: **14 Years**

(21) Appl. No.: **29/339,160**

(22) Filed: **Jun. 25, 2009**

(51) **LOC (9) Cl.** ..... **09-07**

(52) **U.S. Cl.** ..... **D9/434; D9/455**

(58) **Field of Classification Search** ..... D9/732, D9/624, 455, 443, 434, 415; D8/394; D7/619.1, D7/536, 396.2, 392.1, 387, 319, 317; D20/28, D20/18; D19/20; 40/324, 310; 294/312.2, 294/27.1; 222/1; 220/759, 742, 737, 710.5  
See application file for complete search history.

(56) **References Cited**

**U.S. PATENT DOCUMENTS**

D89,408 S *	3/1933	Page	.....	D7/394
D254,419 S *	3/1980	DeMars et al.	.....	D8/34
D265,279 S *	7/1982	Wright	.....	D7/622
D303,336 S *	9/1989	Webster	.....	D7/622
D372,844 S *	8/1996	Nunes	.....	D7/622
D384,557 S *	10/1997	Goza	.....	D7/622
D414,109 S *	9/1999	Ota et al.	.....	D9/434
D421,386 S *	3/2000	Ota et al.	.....	D9/434

D510,522 S \* 10/2005 Laveault et al. .... D9/443

\* cited by examiner

*Primary Examiner*—Susan Bennett Hattan

(74) *Attorney, Agent, or Firm*—Dykema Gossett PLLC

(57) **CLAIM**

The ornamental design for a handle for container, as shown and described.

**DESCRIPTION**

FIG. 1 is a perspective view of a handle for container showing our new design as viewed from the top, front, and right side;

FIG. 2 is a front view of the handle;

FIG. 3 is a rear view of the handle;

FIG. 4 is a right side view of the handle;

FIG. 5 is a left side view of the handle;

FIG. 6 is a top plan view of the handle;

FIG. 7 is a bottom view of the handle;

FIG. 8 is a perspective view, similar to FIG. 1, illustrating the handle attached to a container;

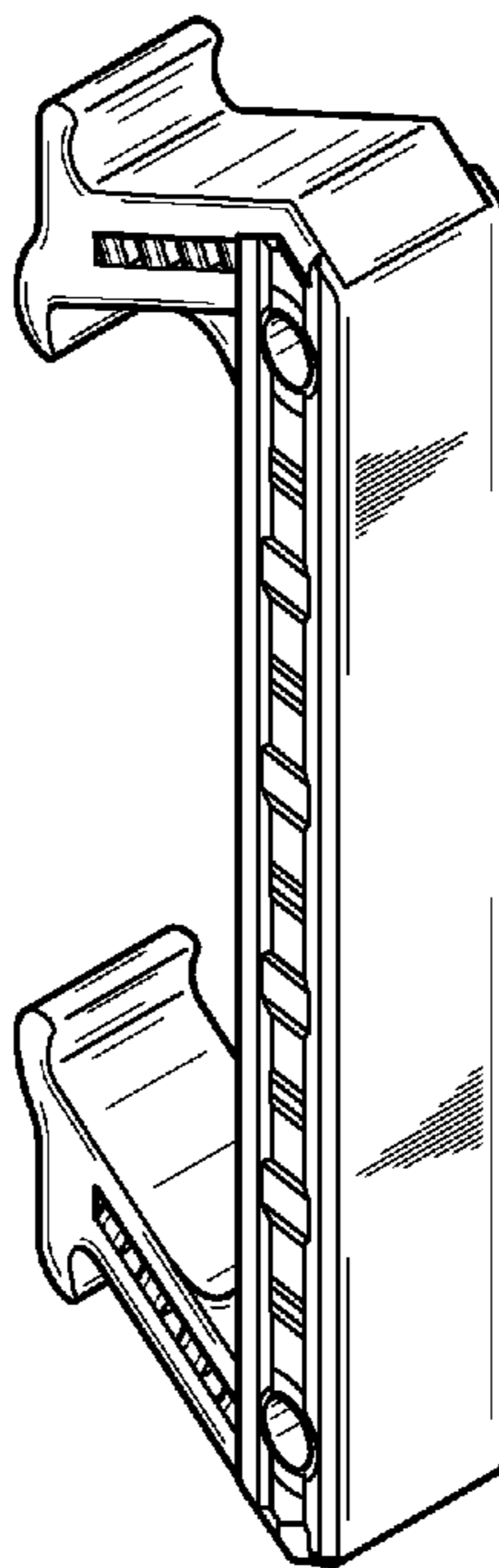
FIG. 9 is a front view, similar to FIG. 2, illustrating the handle attached to a container;

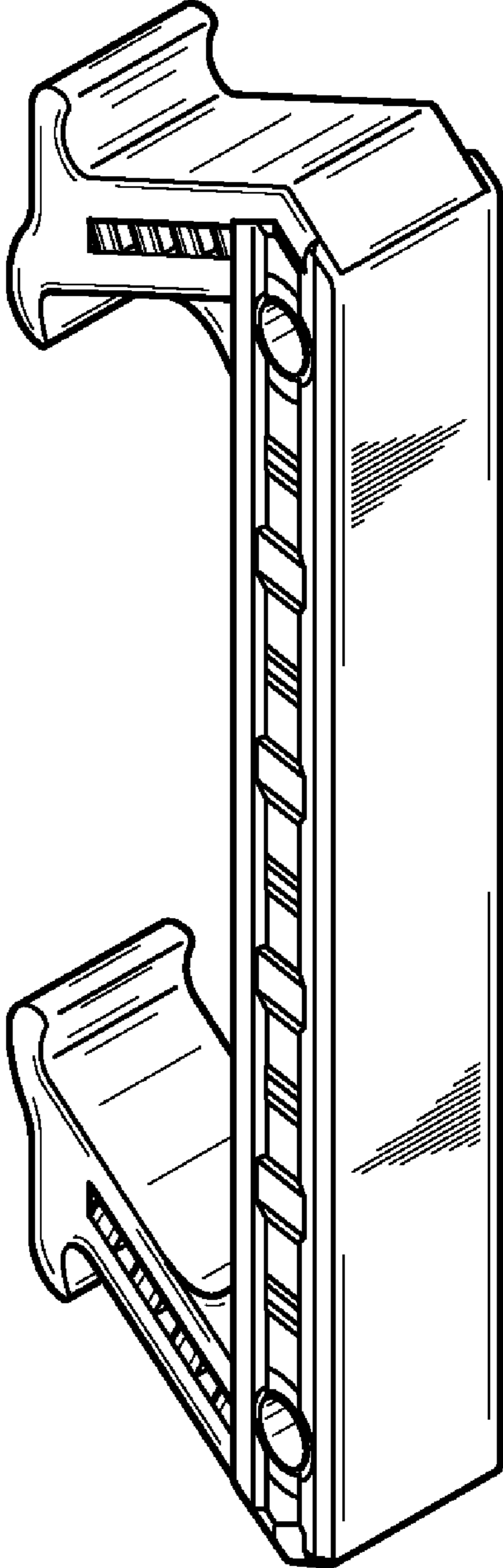
FIG. 10 is a right side view, similar to FIG. 4, illustrating the handle attached to a container; and,

FIG. 11 is a left side view, similar to FIG. 5, illustrating the handle attached to a container.

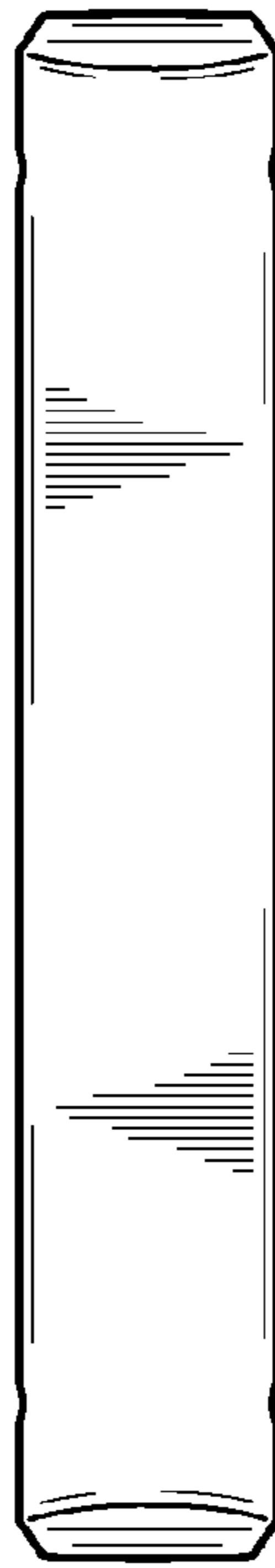
The dash-dash-dash-dash broken lines shown in the drawings are included for the purpose of showing environmental structure that forms no part of the claimed design.

**1 Claim, 8 Drawing Sheets**

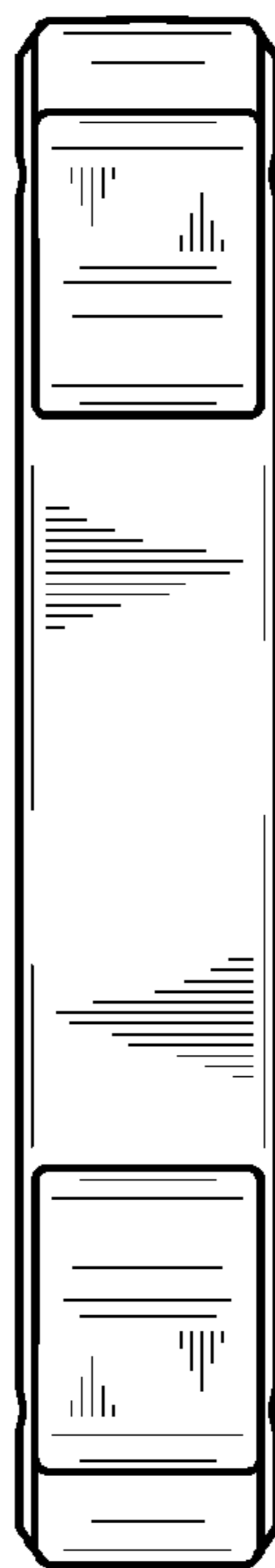




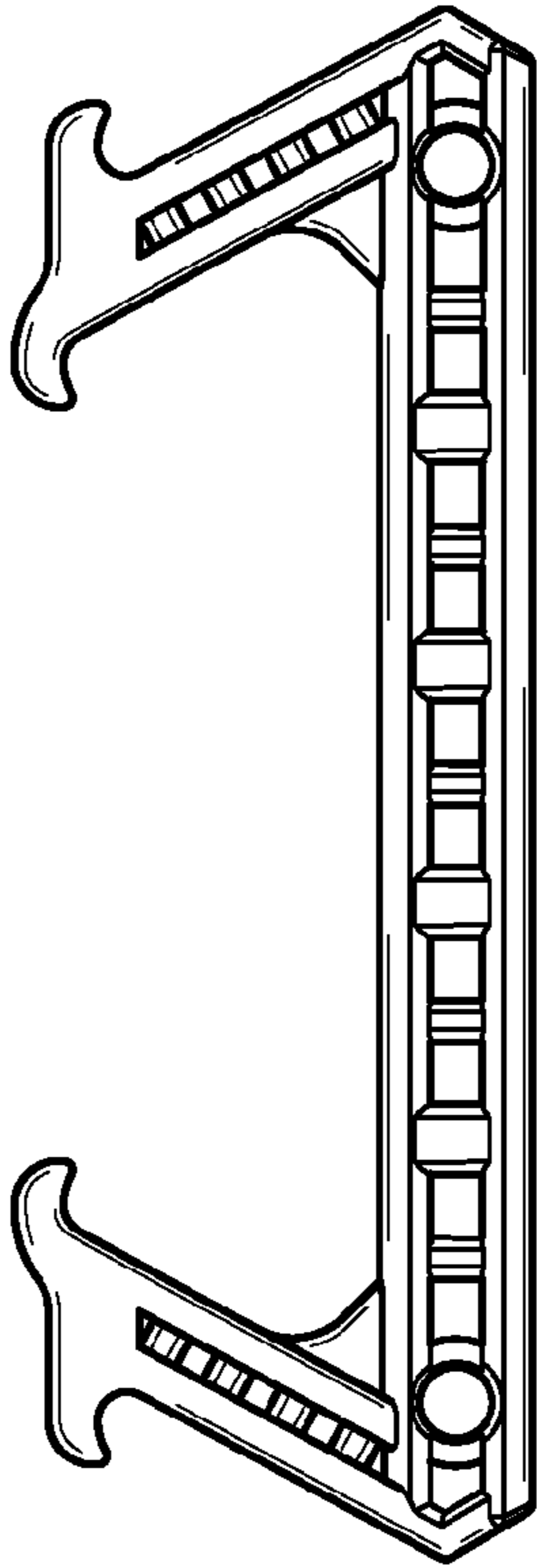
*FIG. 1*



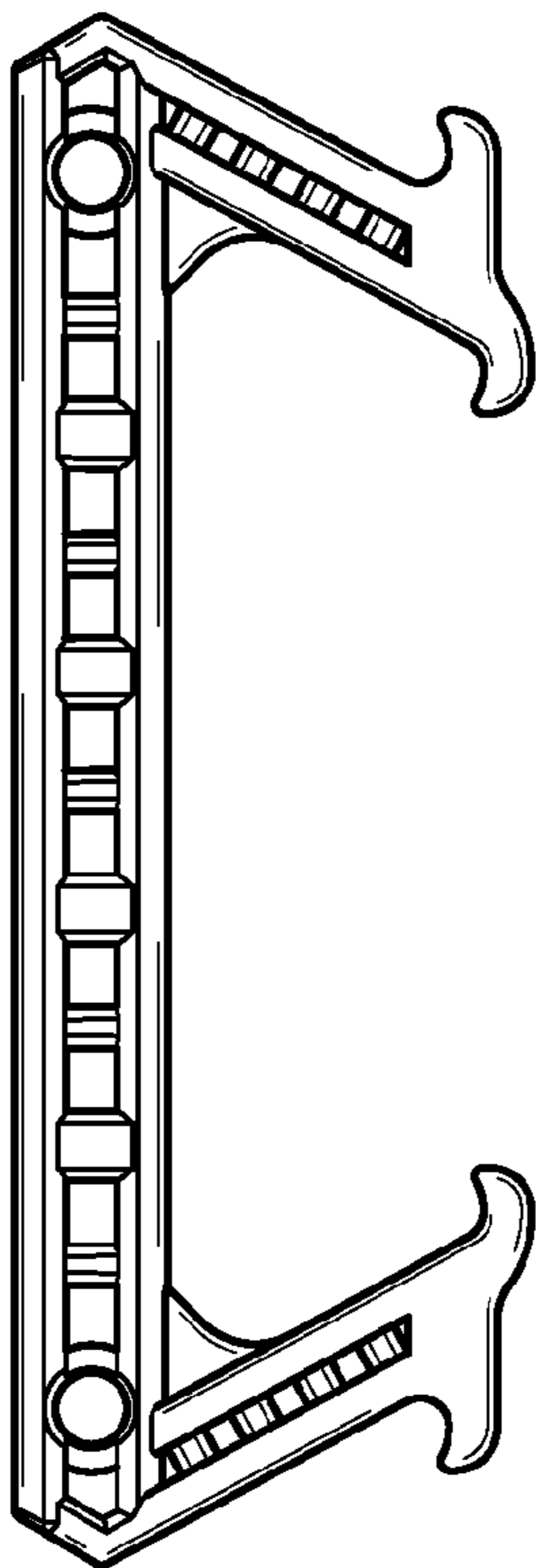
*FIG. 2*



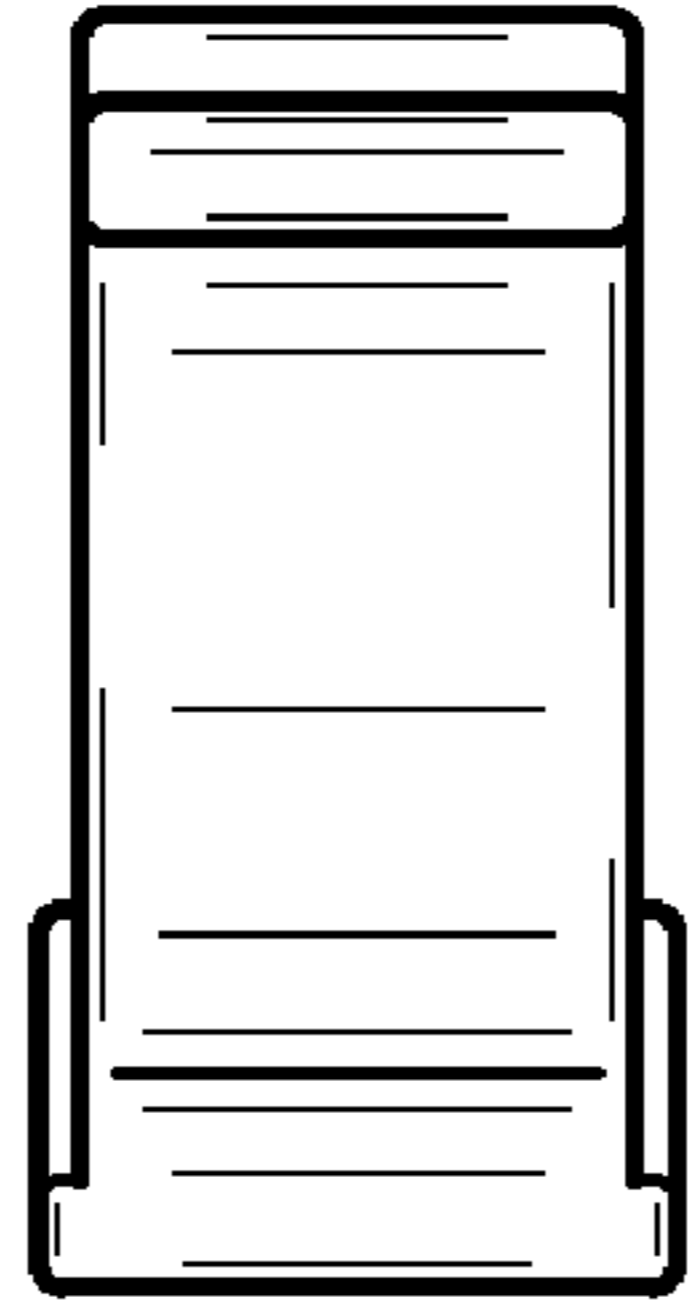
*FIG. 3*



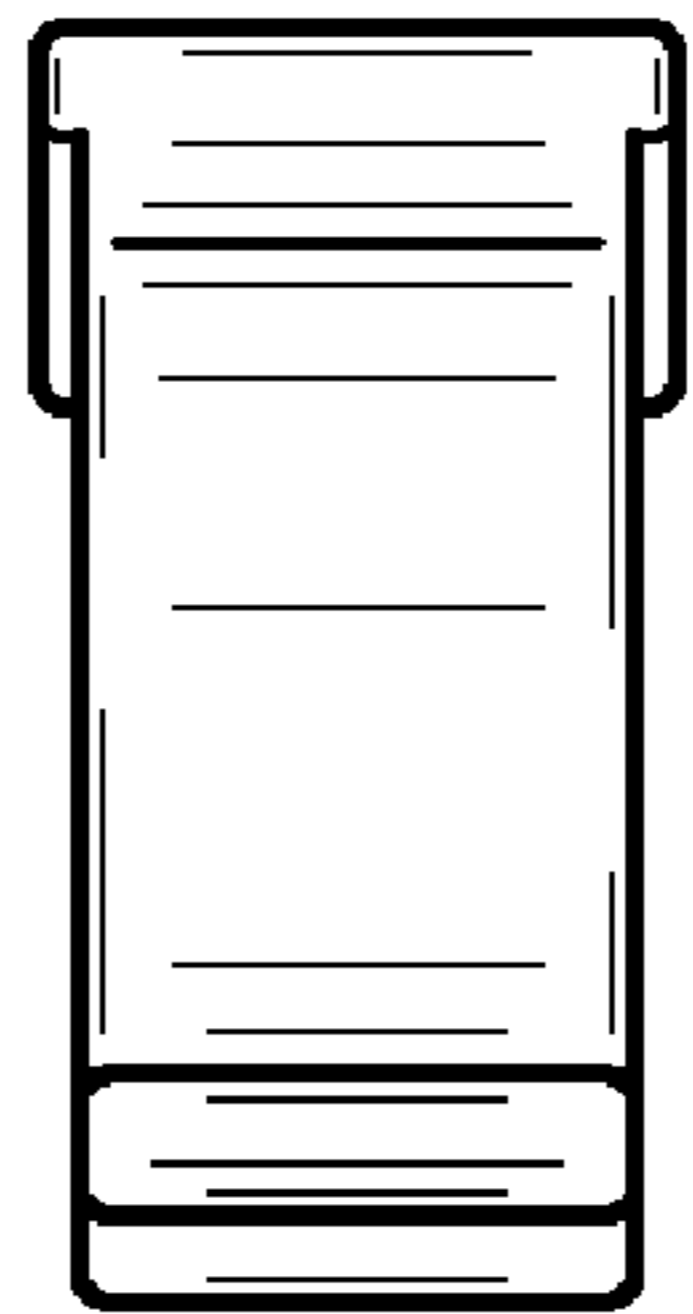
*FIG. 4*



*FIG. 5*



*FIG. 6*



*FIG. 7*

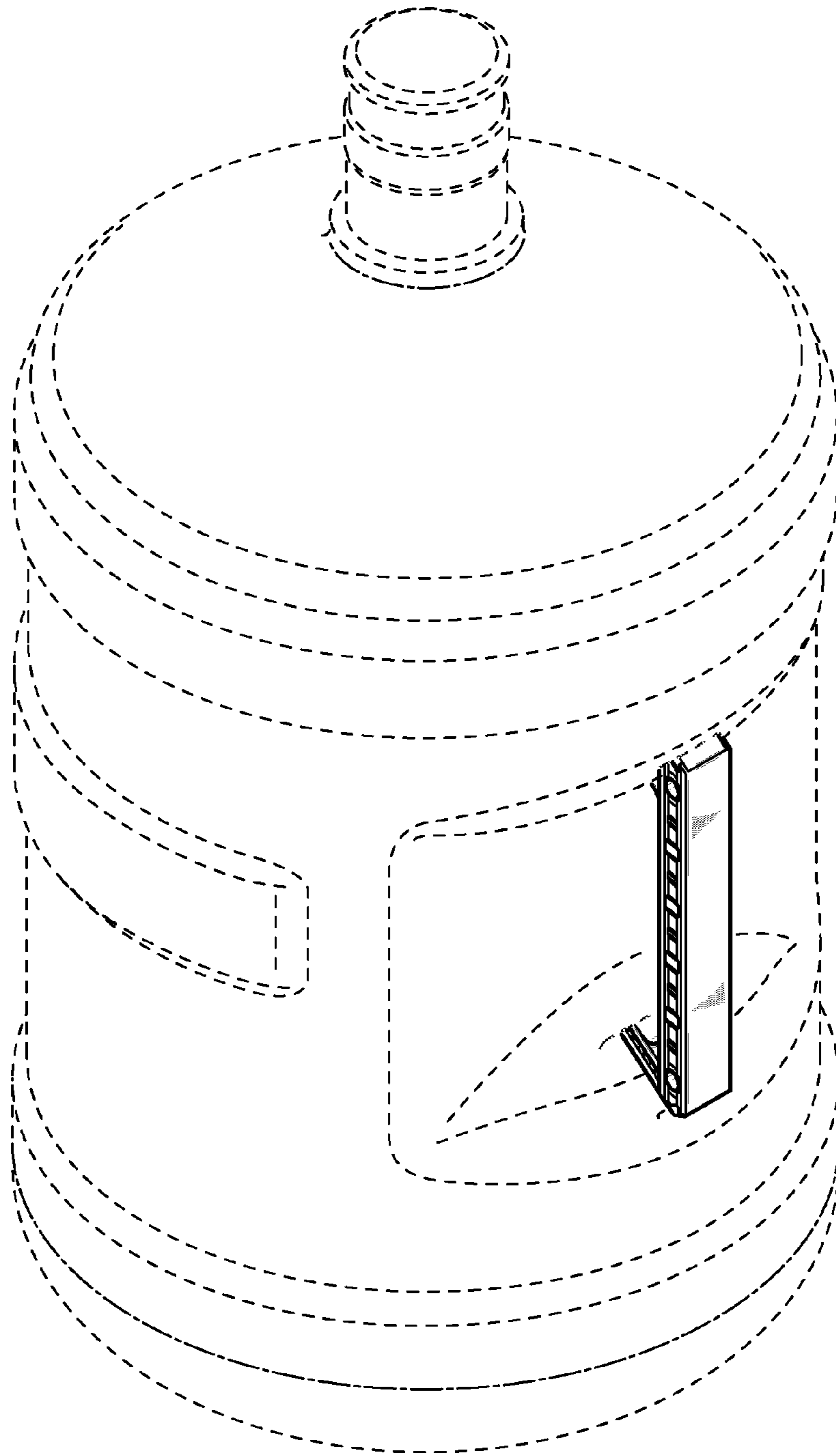


FIG. 8

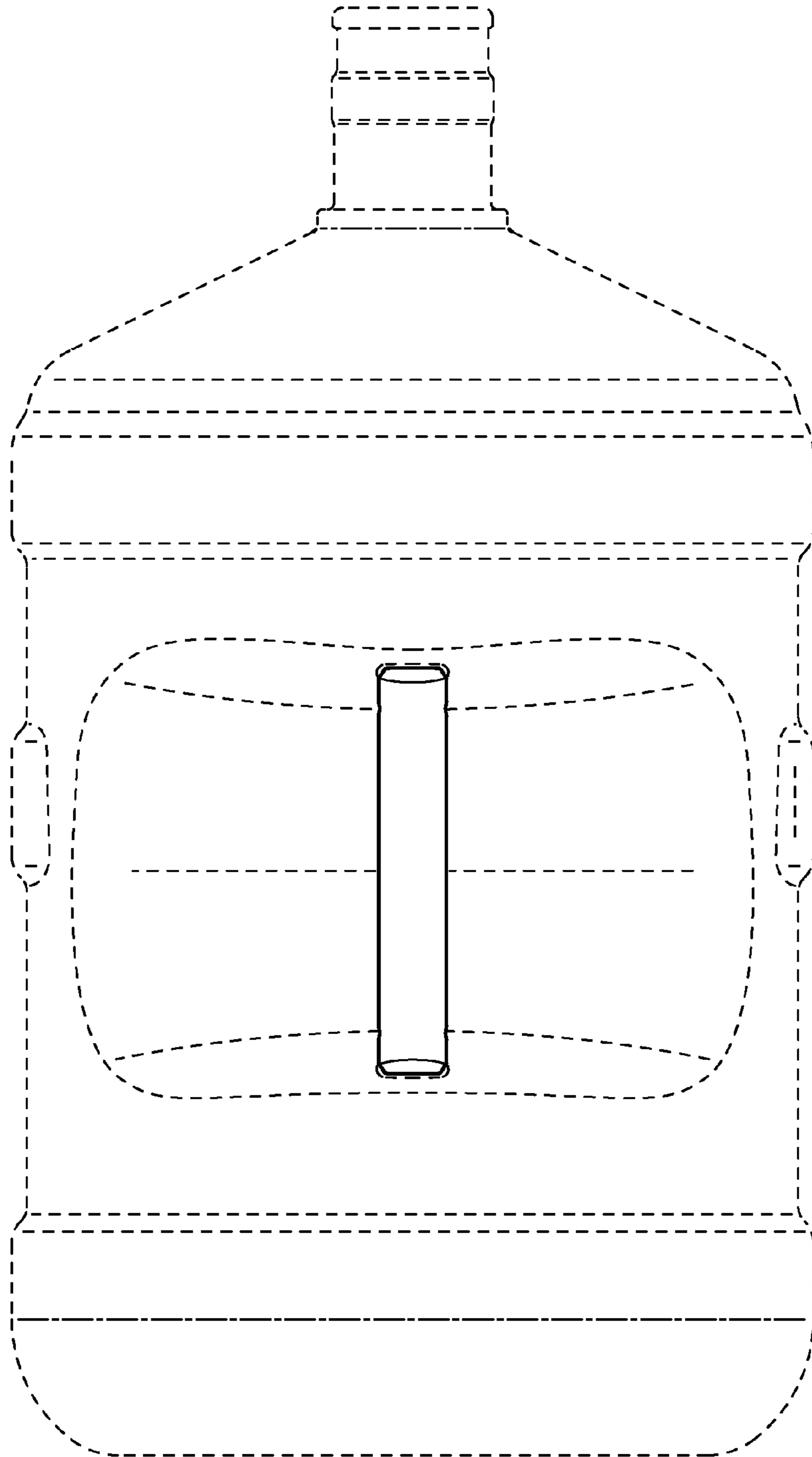


FIG. 9

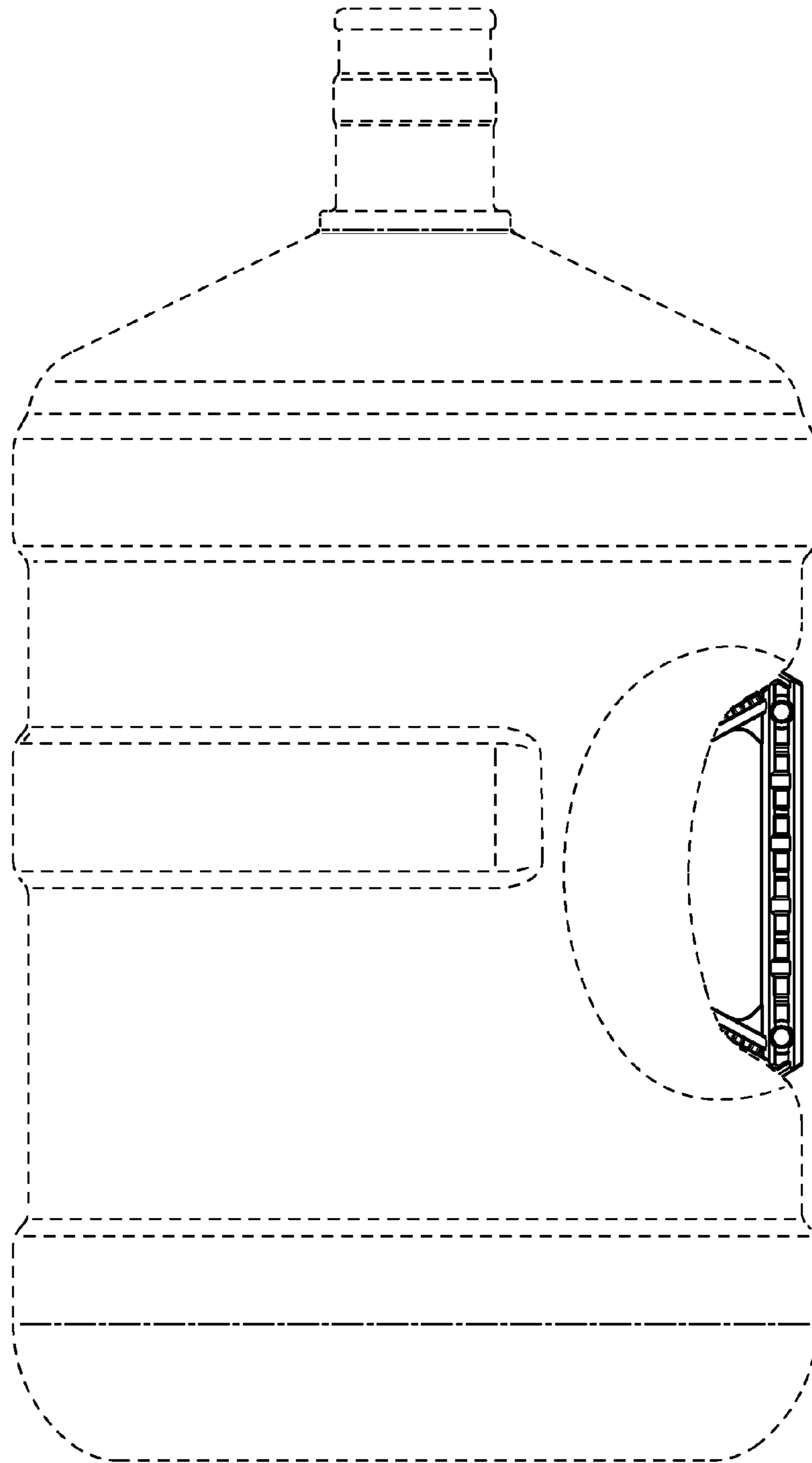


FIG. 10



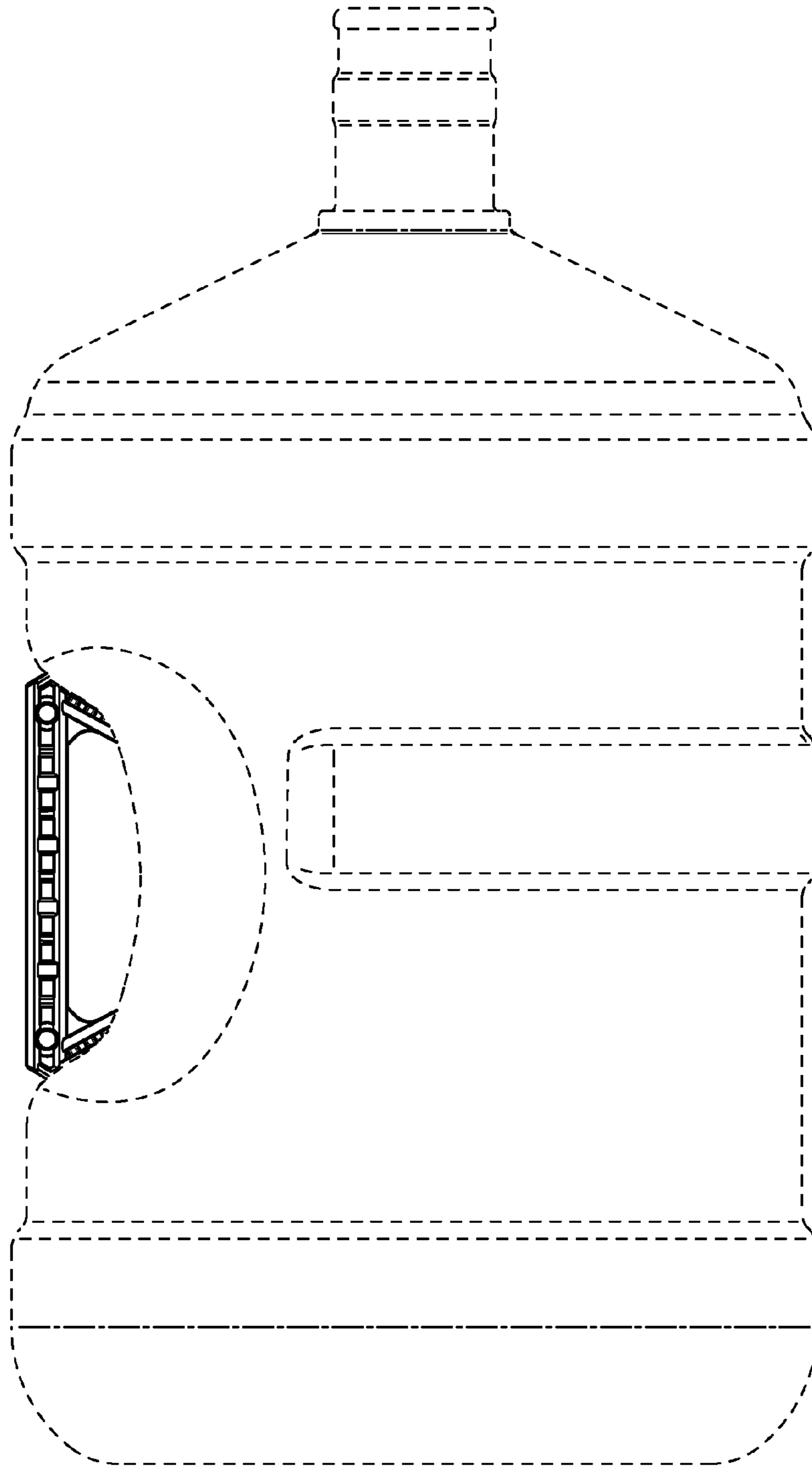


FIG. 11